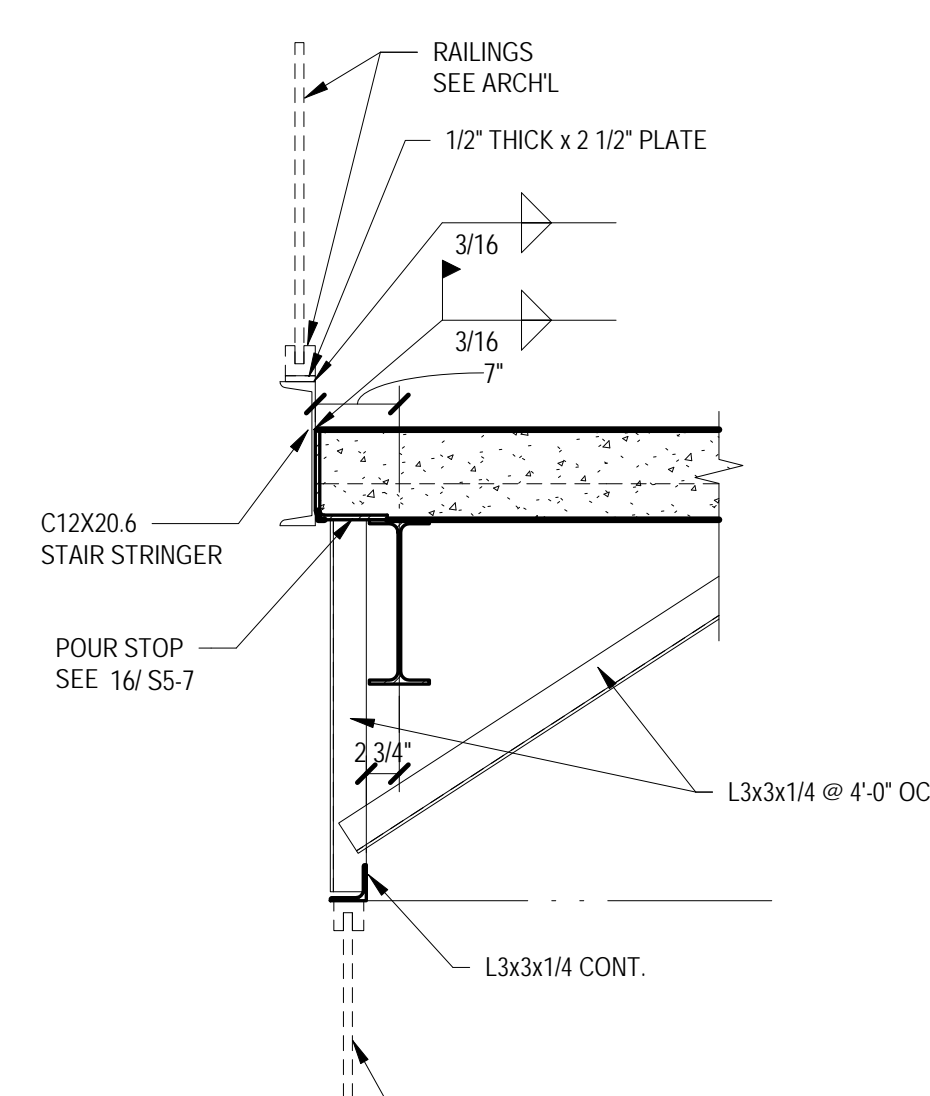
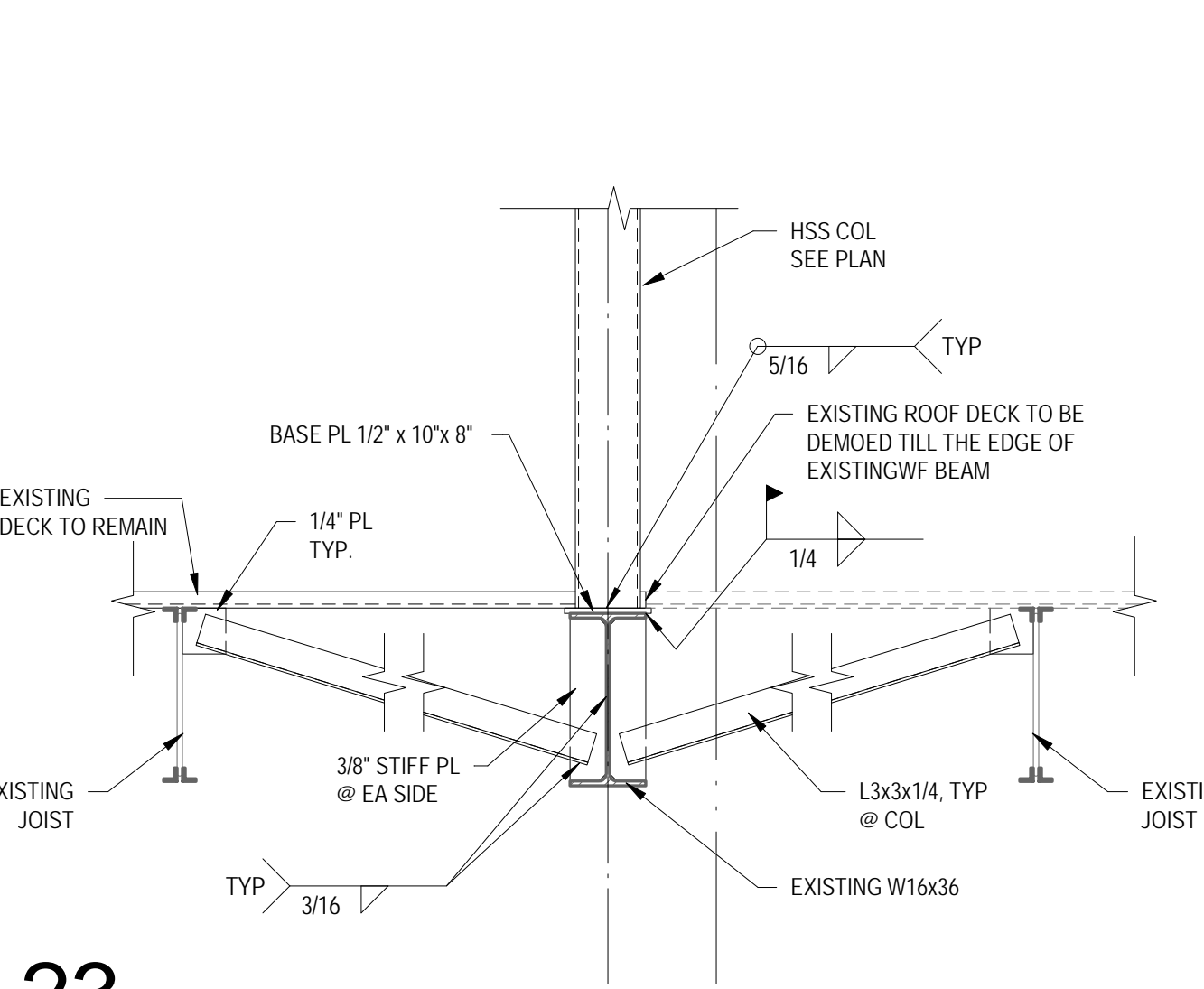


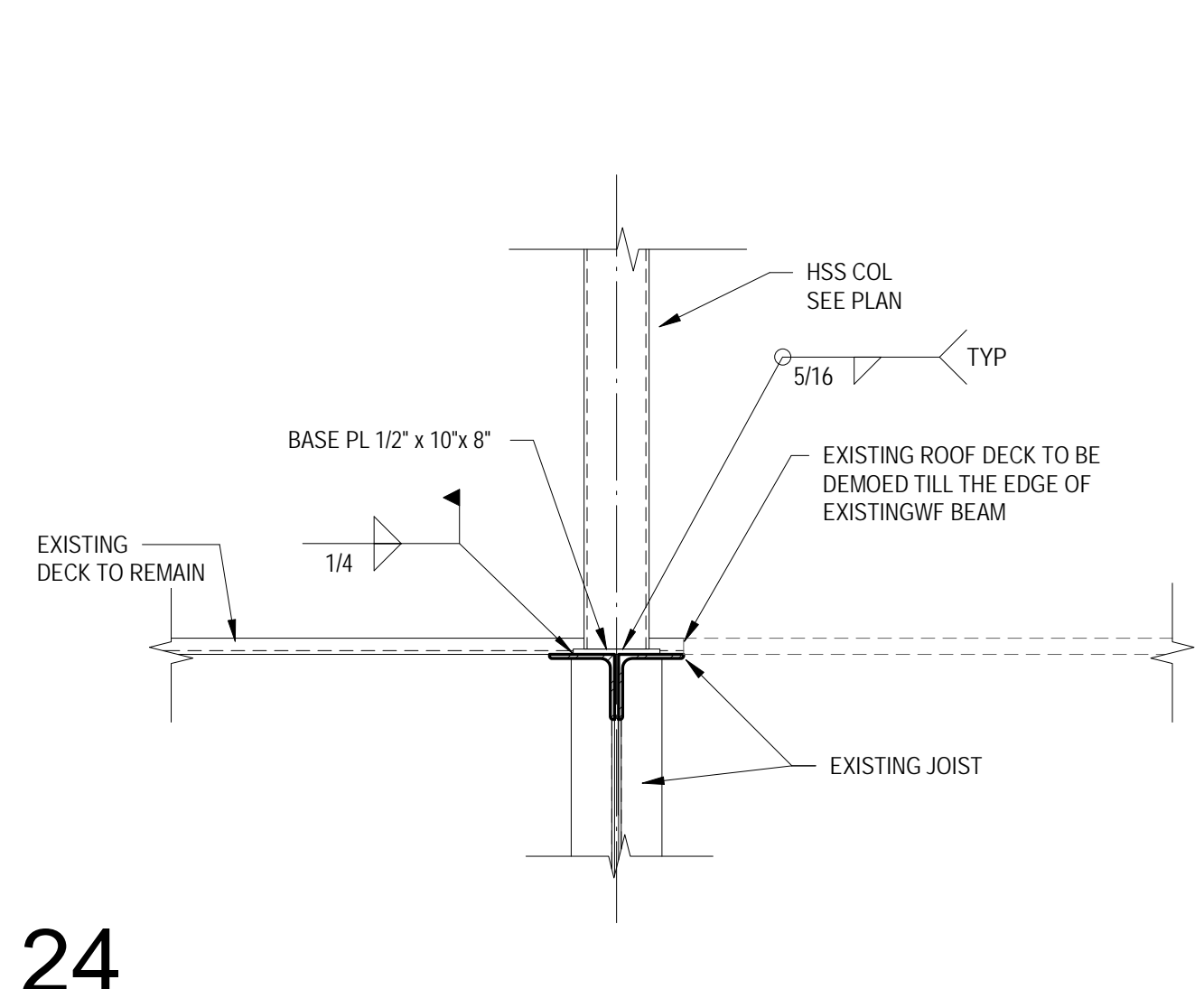
21
1/4" = 1'-0"



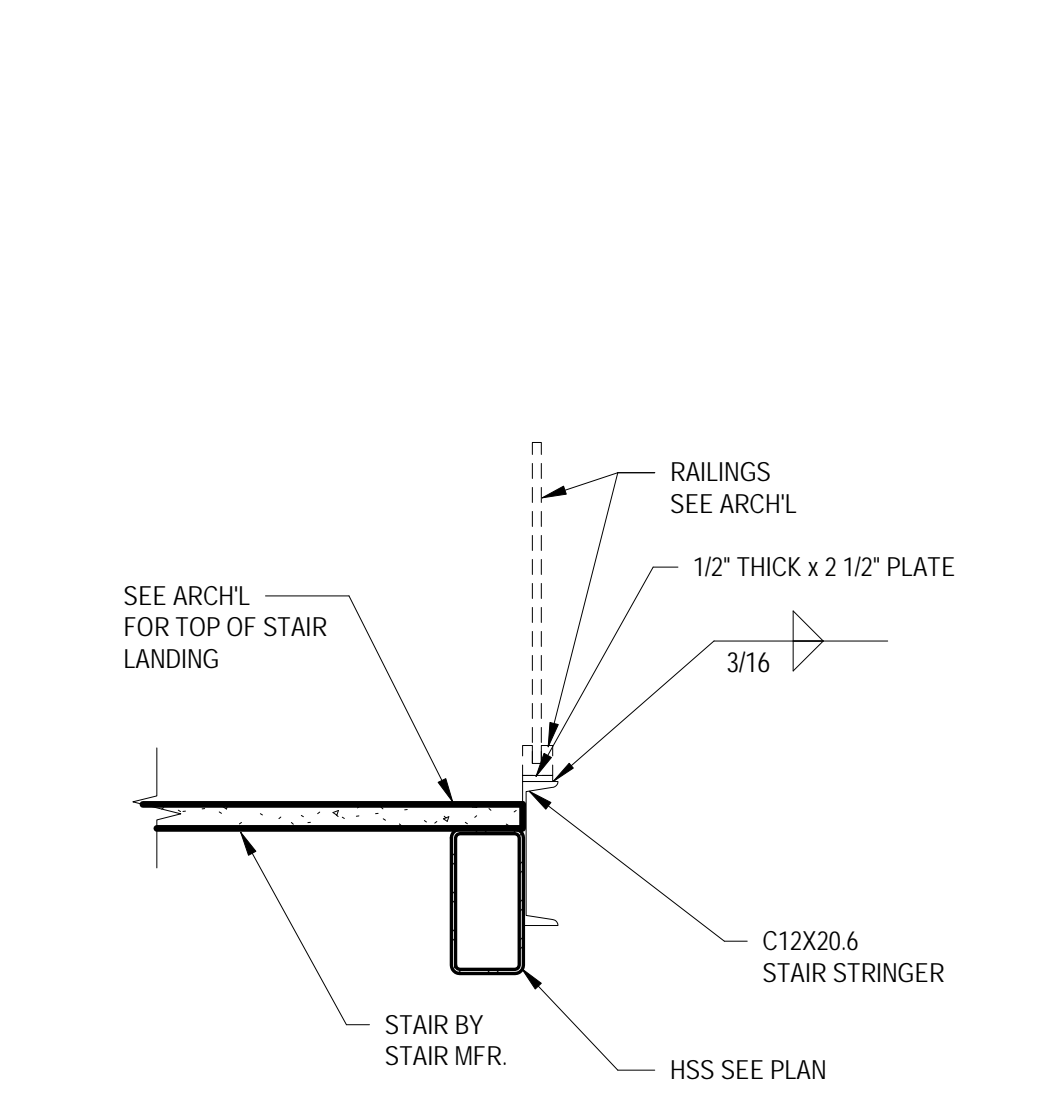
22
3/4" = 1'-0"



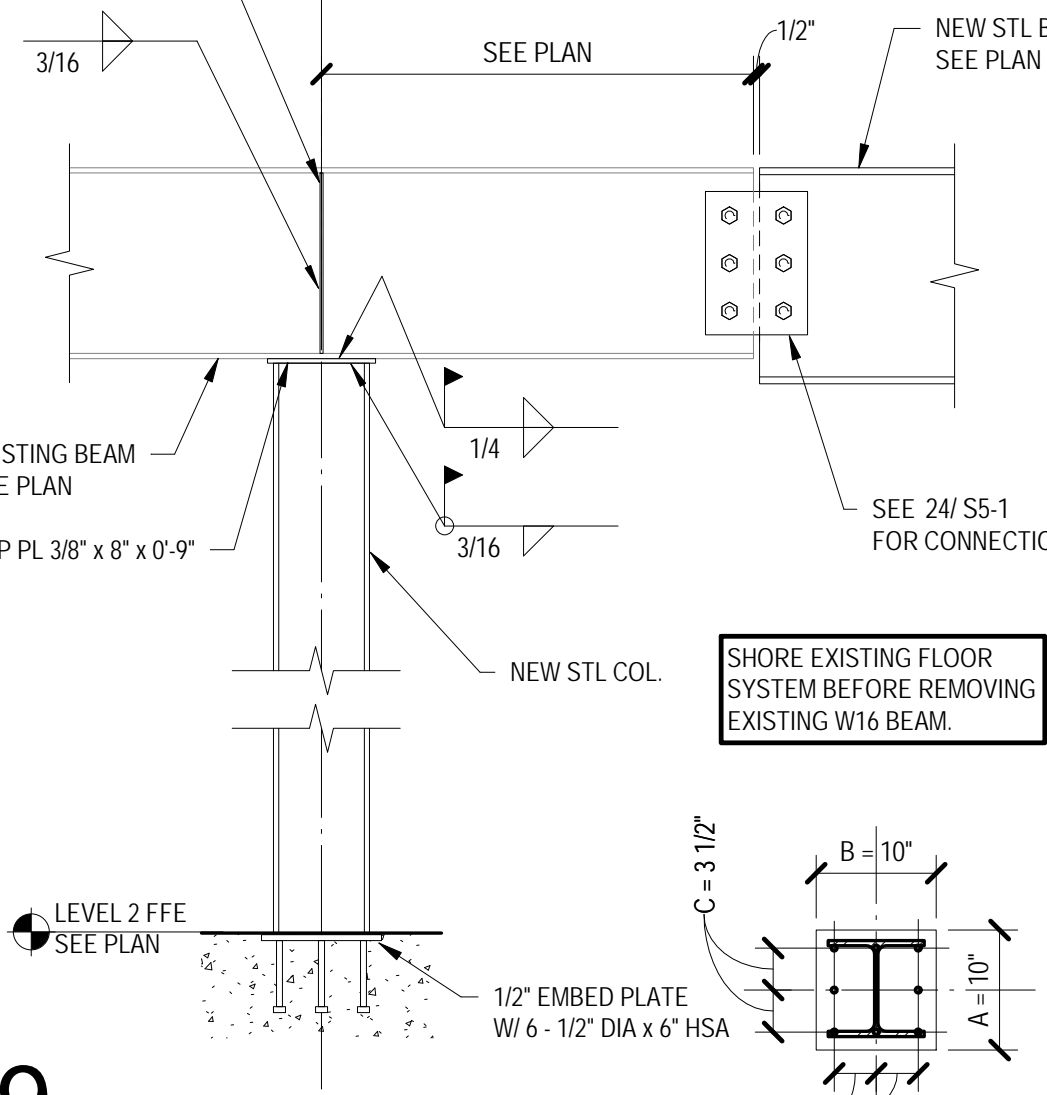
23
3/4" = 1'-0"



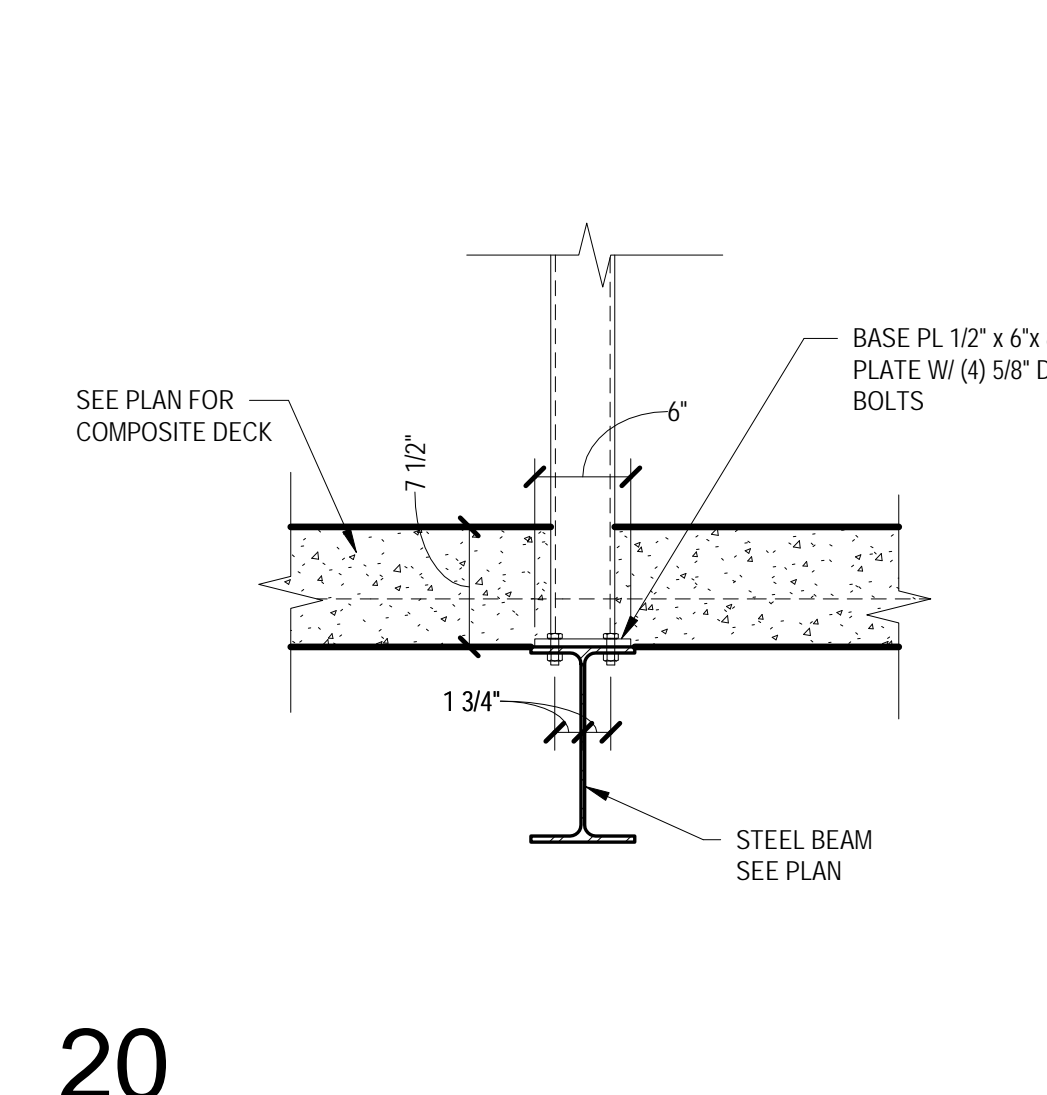
24
3/4" = 1'-0"



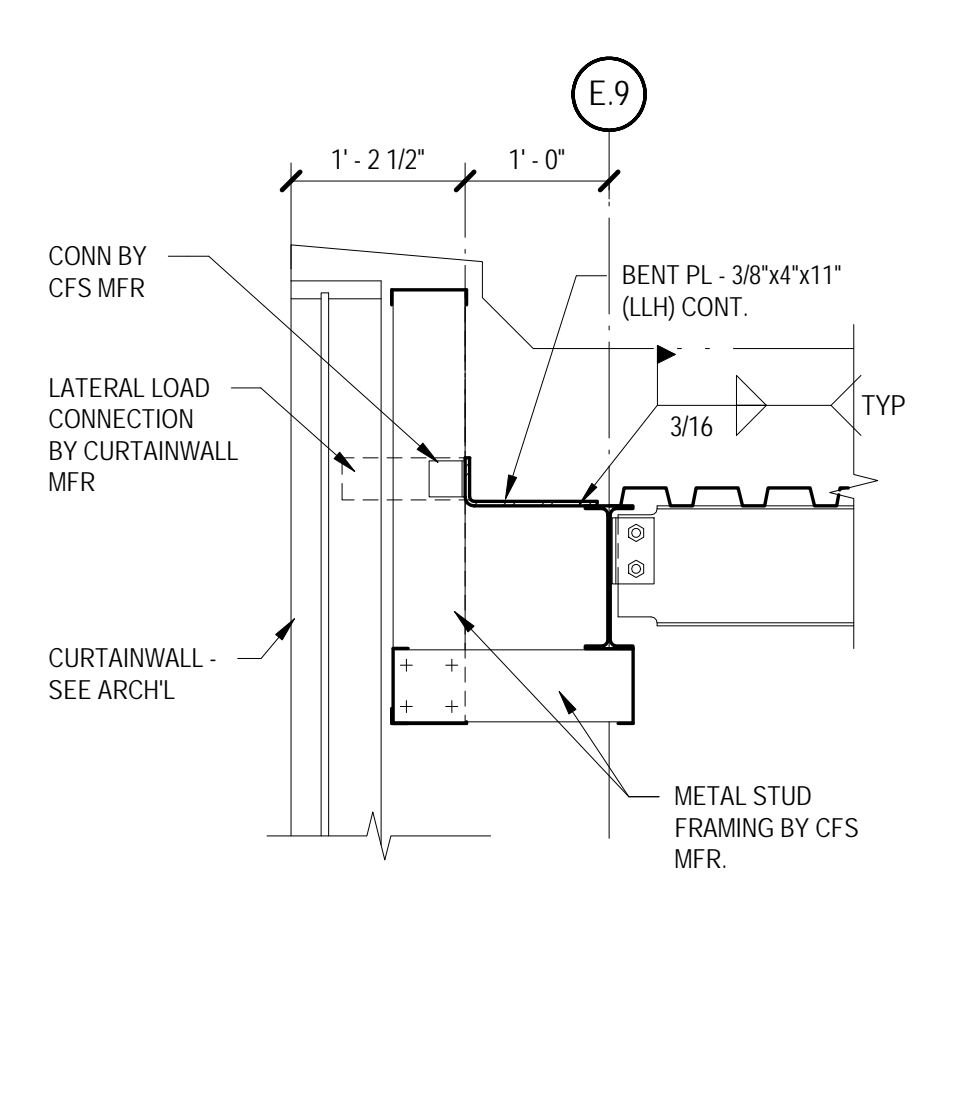
18
3/4" = 1'-0"



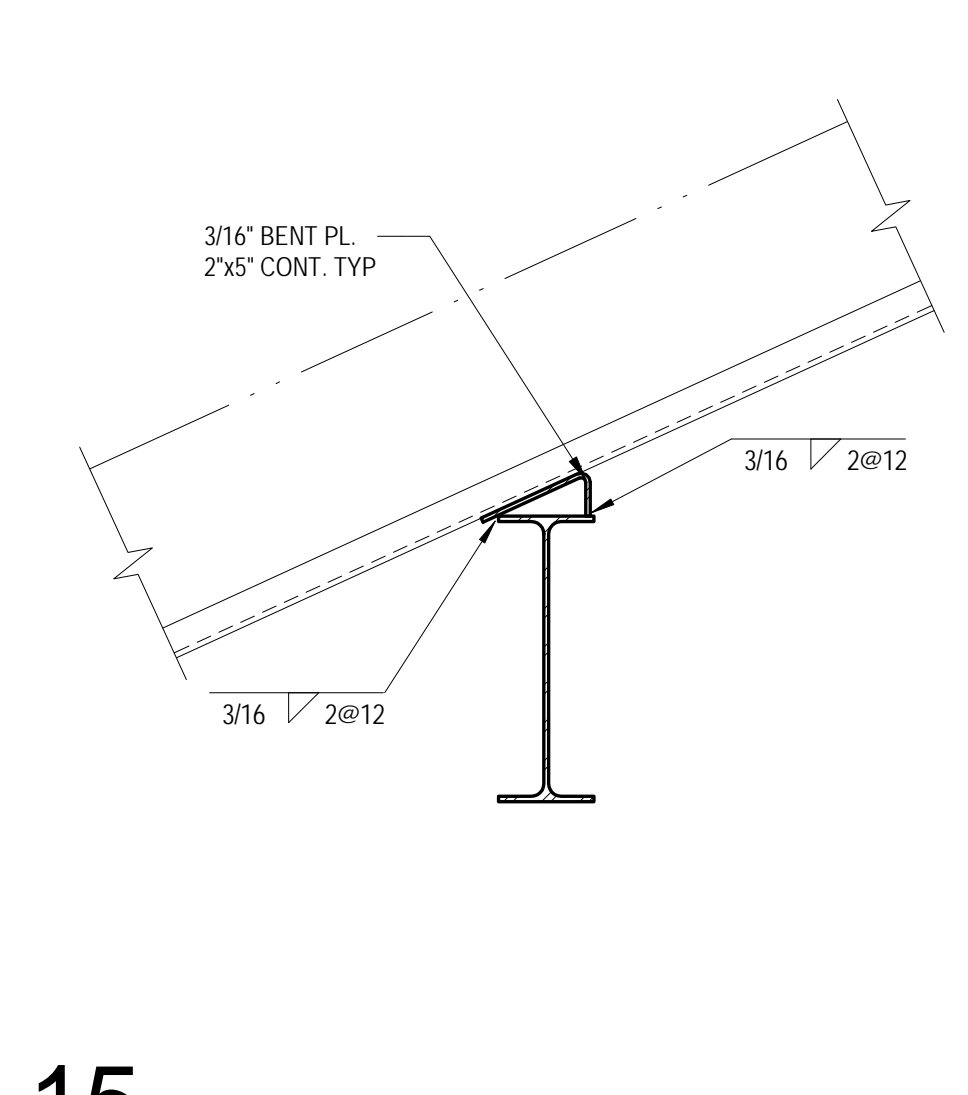
19
3/4" = 1'-0"



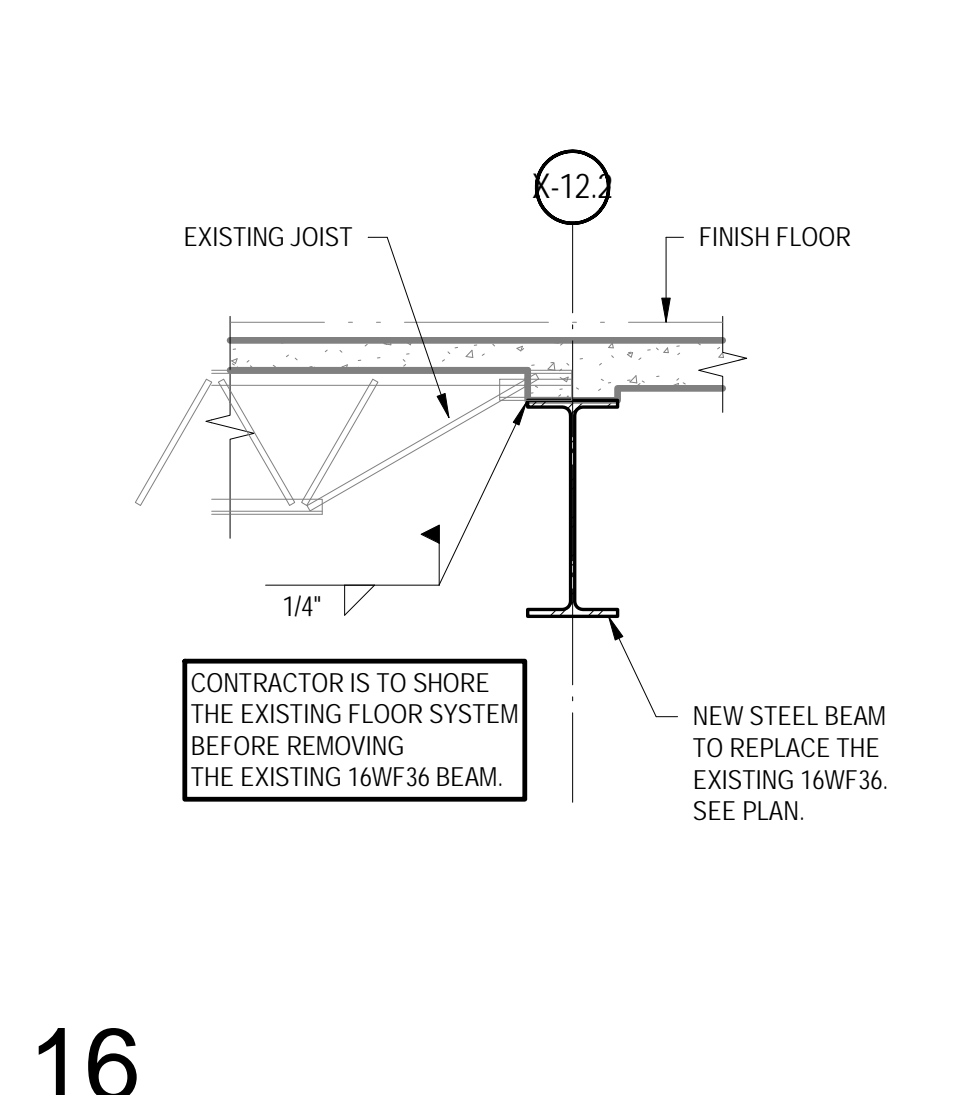
20
1" = 1'-0"



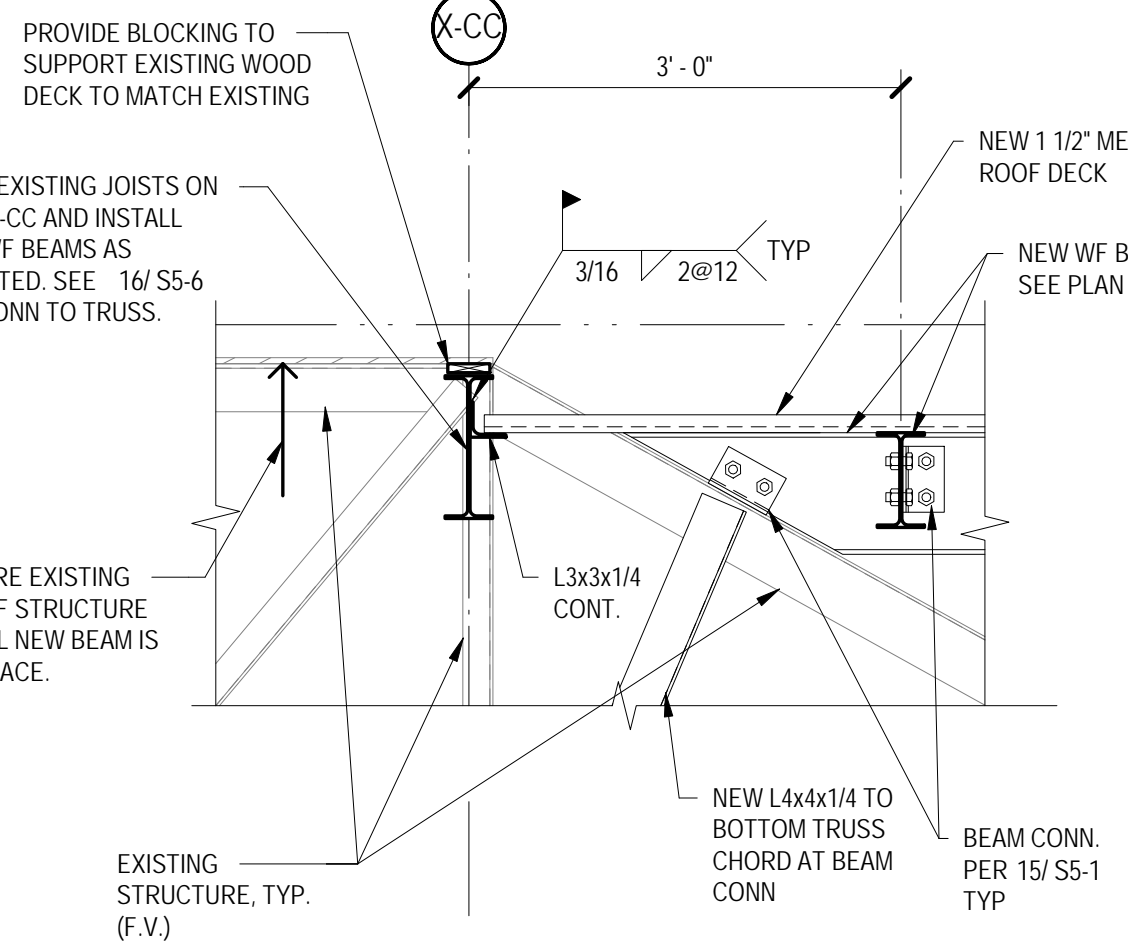
14
3/4" = 1'-0"



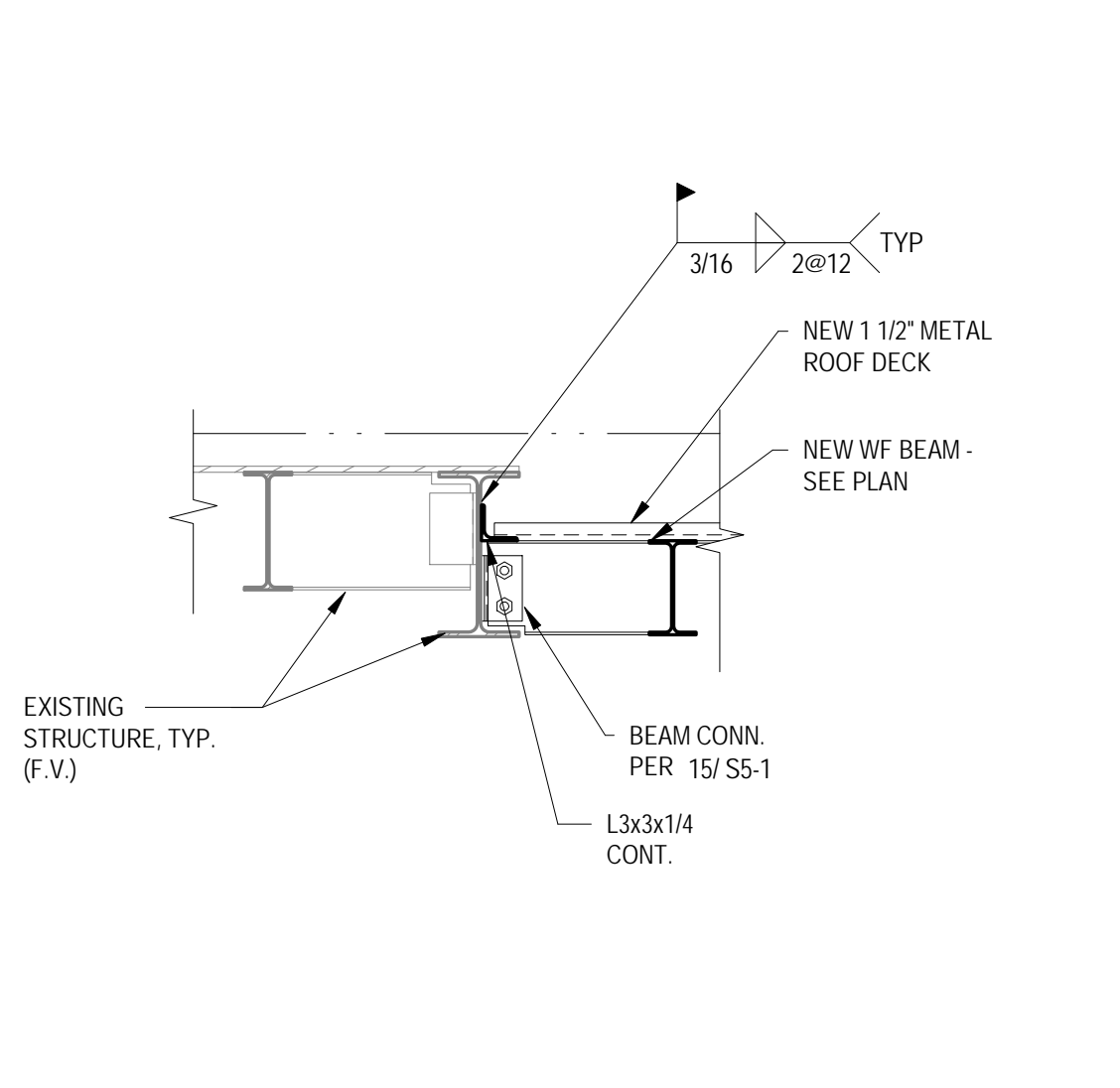
15
1 1/2" = 1'-0"



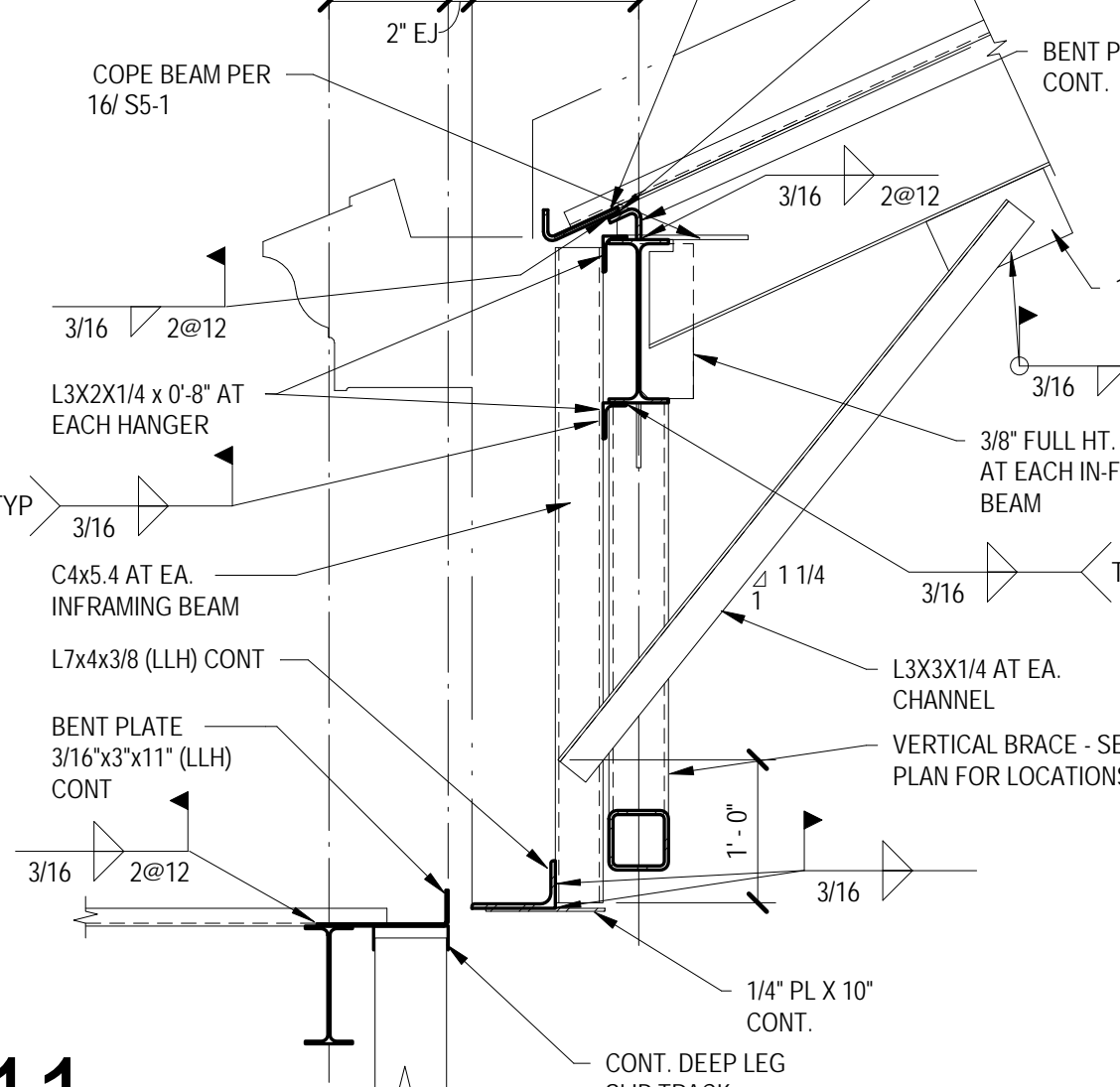
16
3/4" = 1'-0"



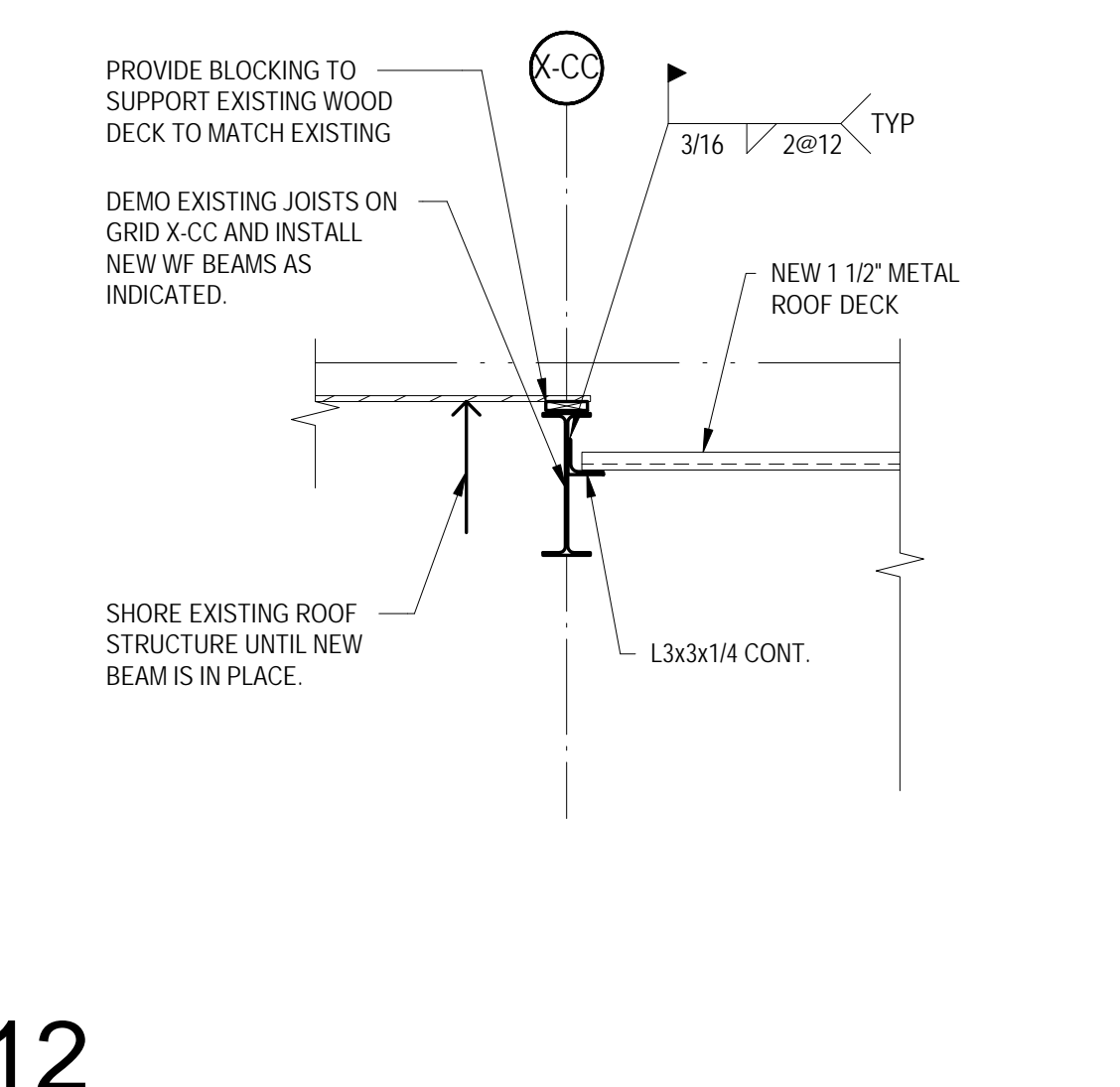
9
3/4" = 1'-0"



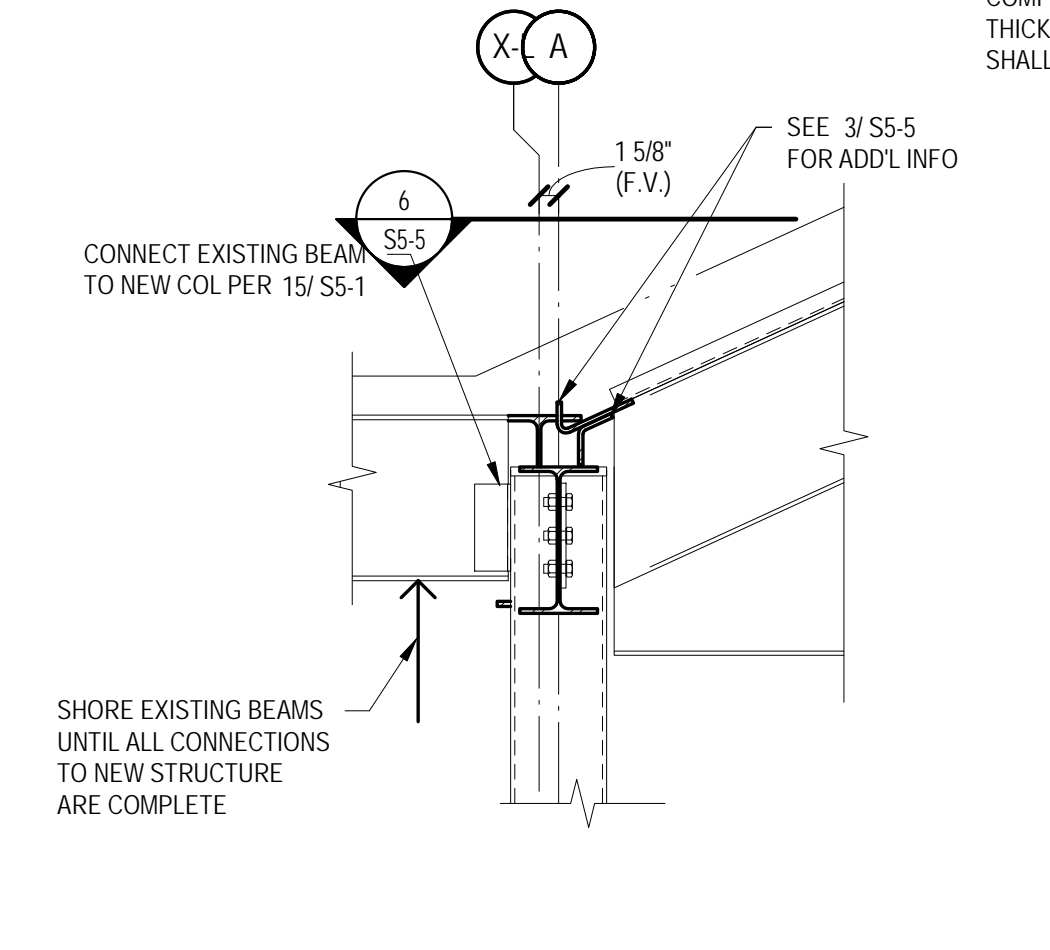
10
3/4" = 1'-0"



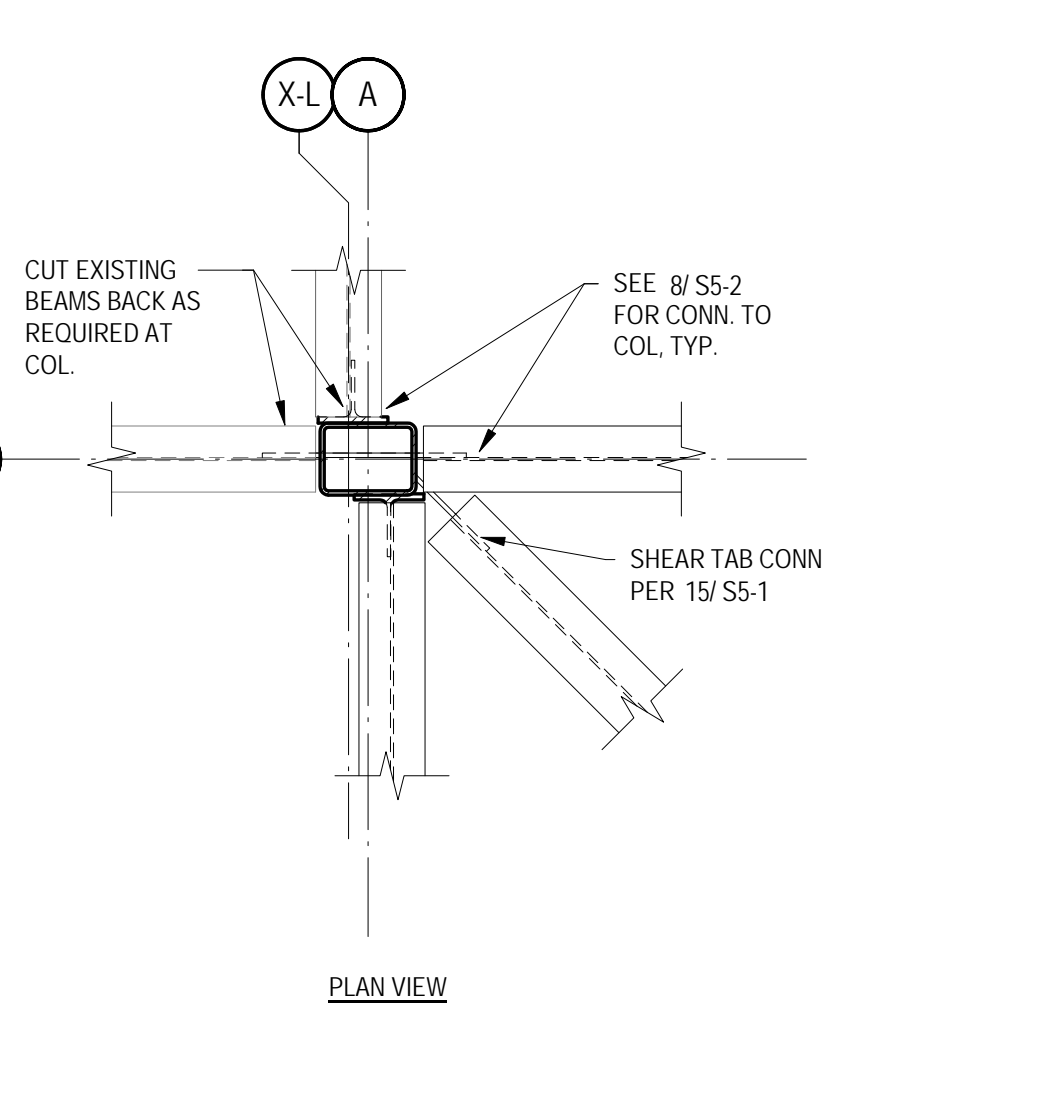
11
3/4" = 1'-0"



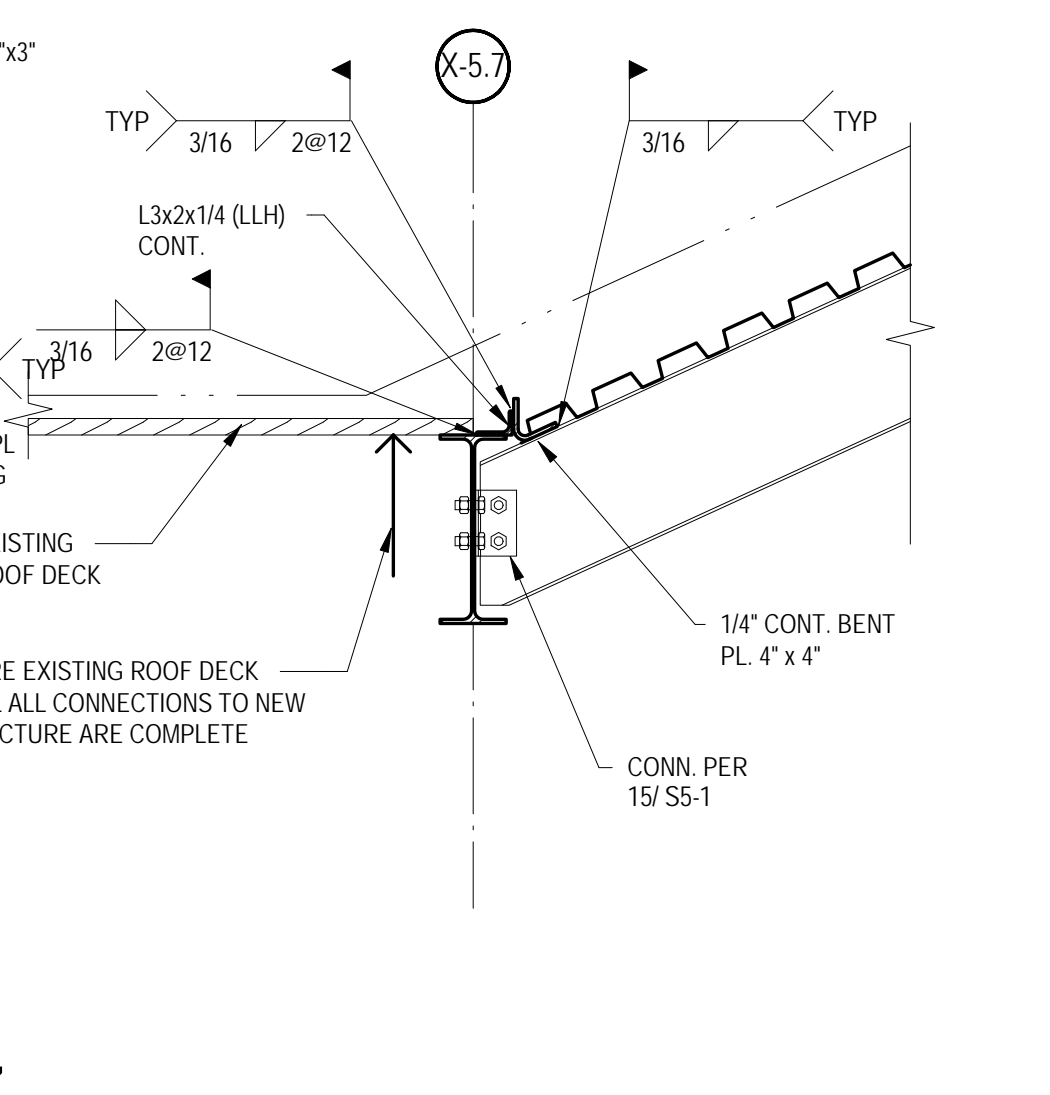
12
3/4" = 1'-0"



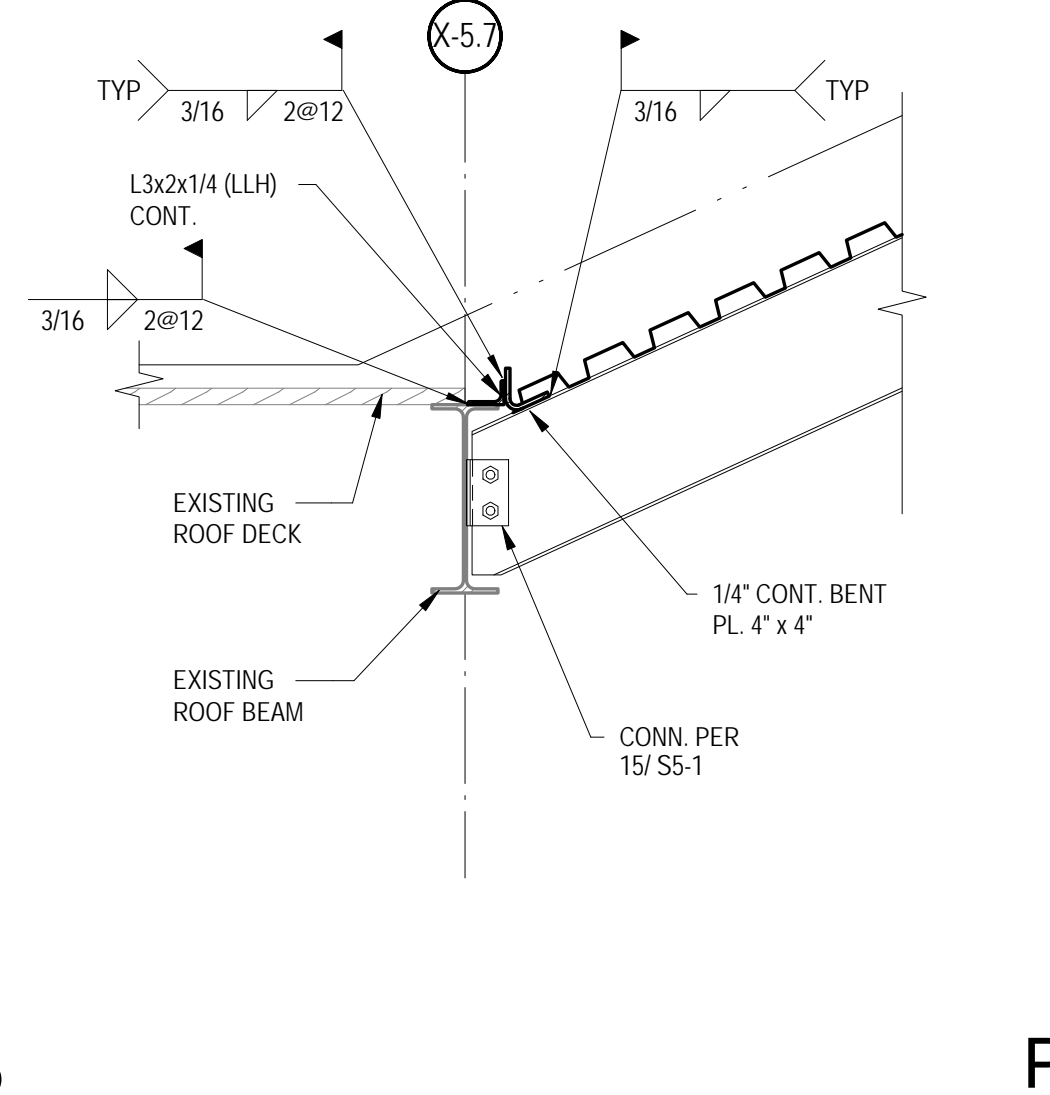
5
3/4" = 1'-0"



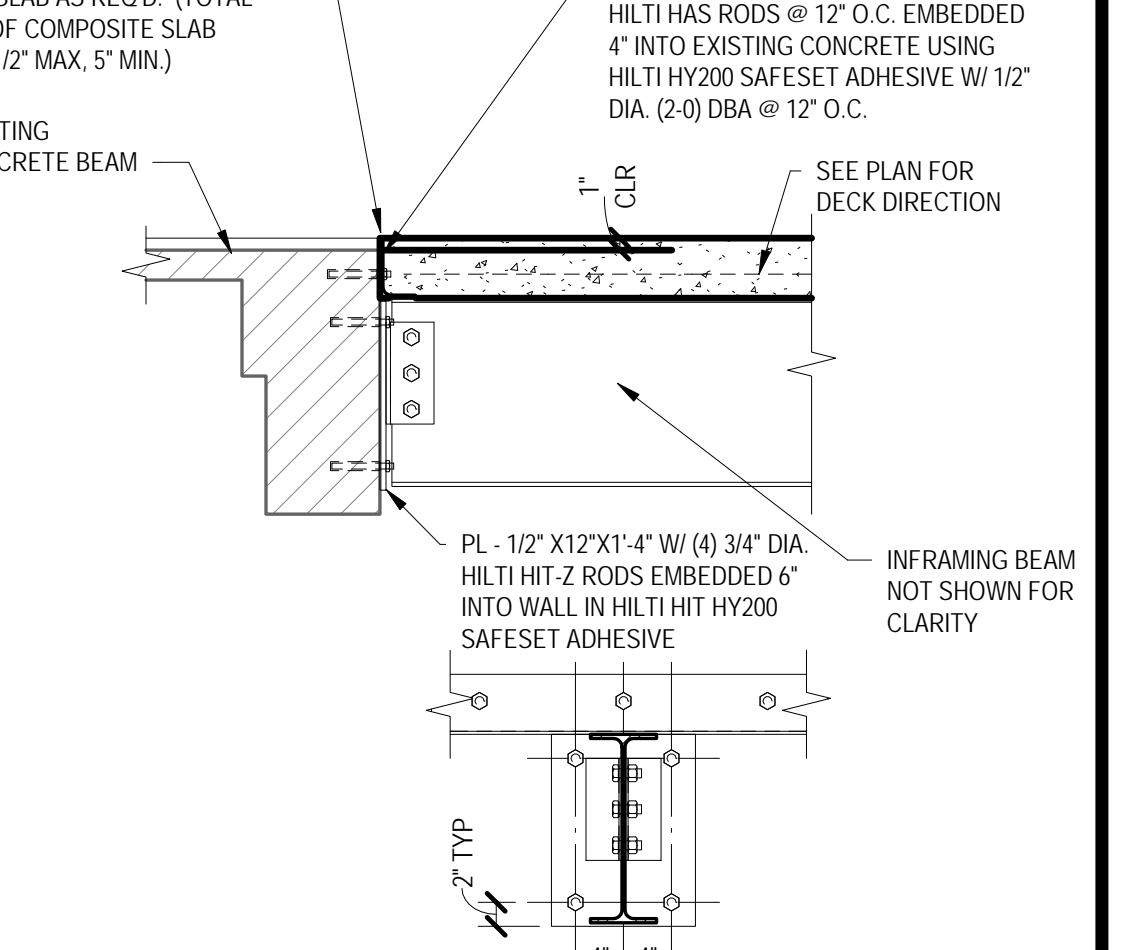
6
3/4" = 1'-0"



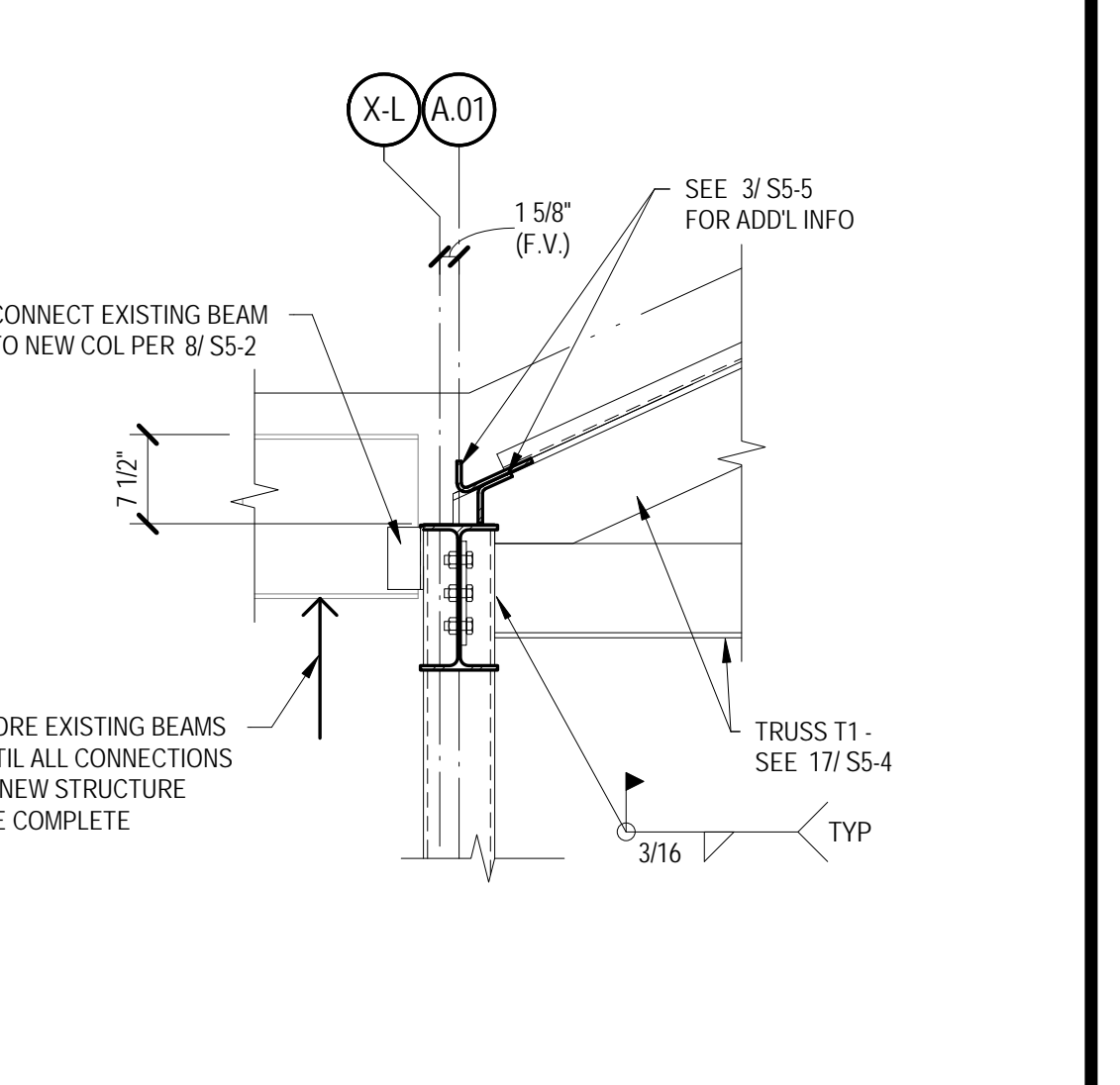
7
3/4" = 1'-0"



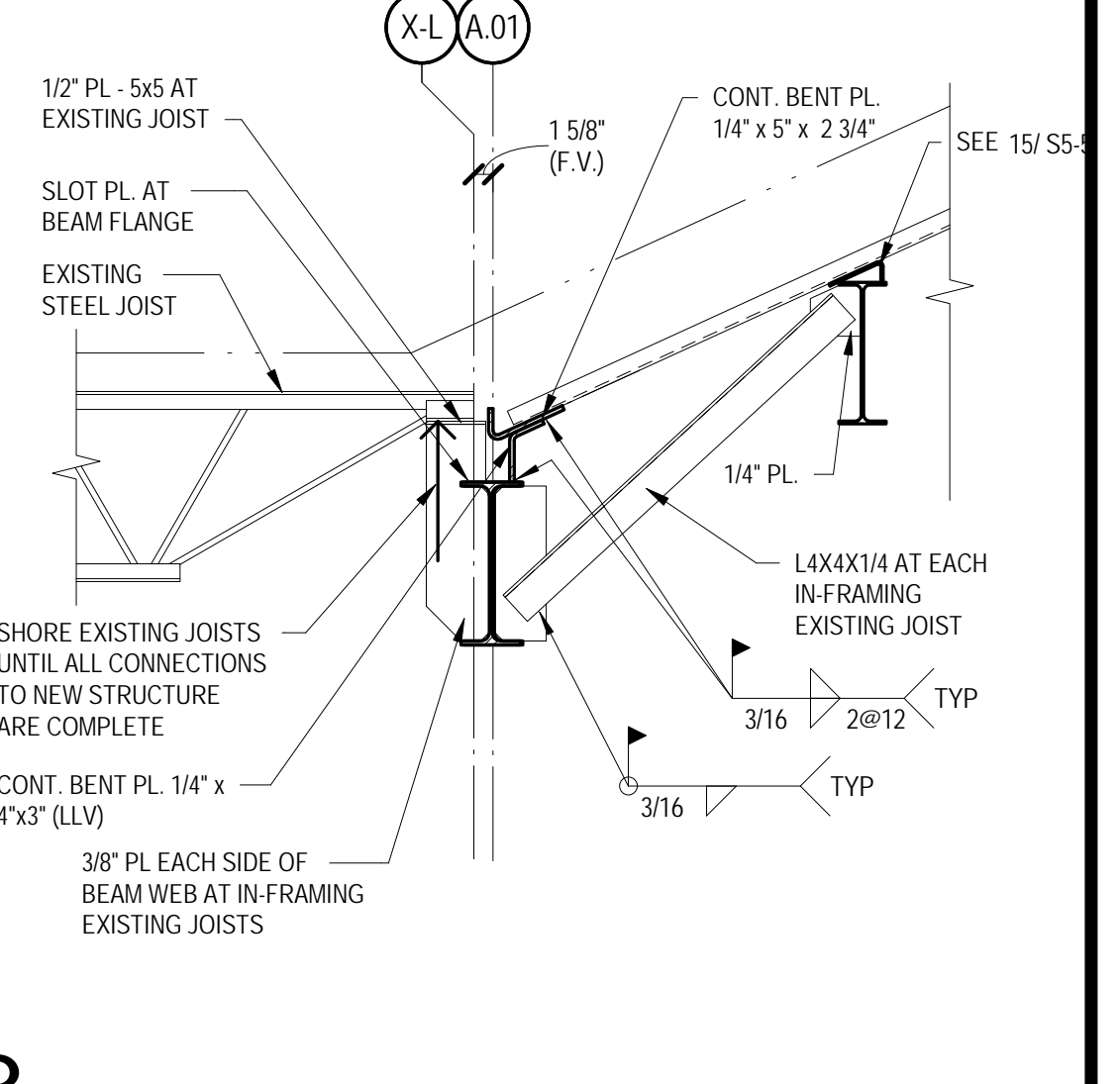
8
3/4" = 1'-0"



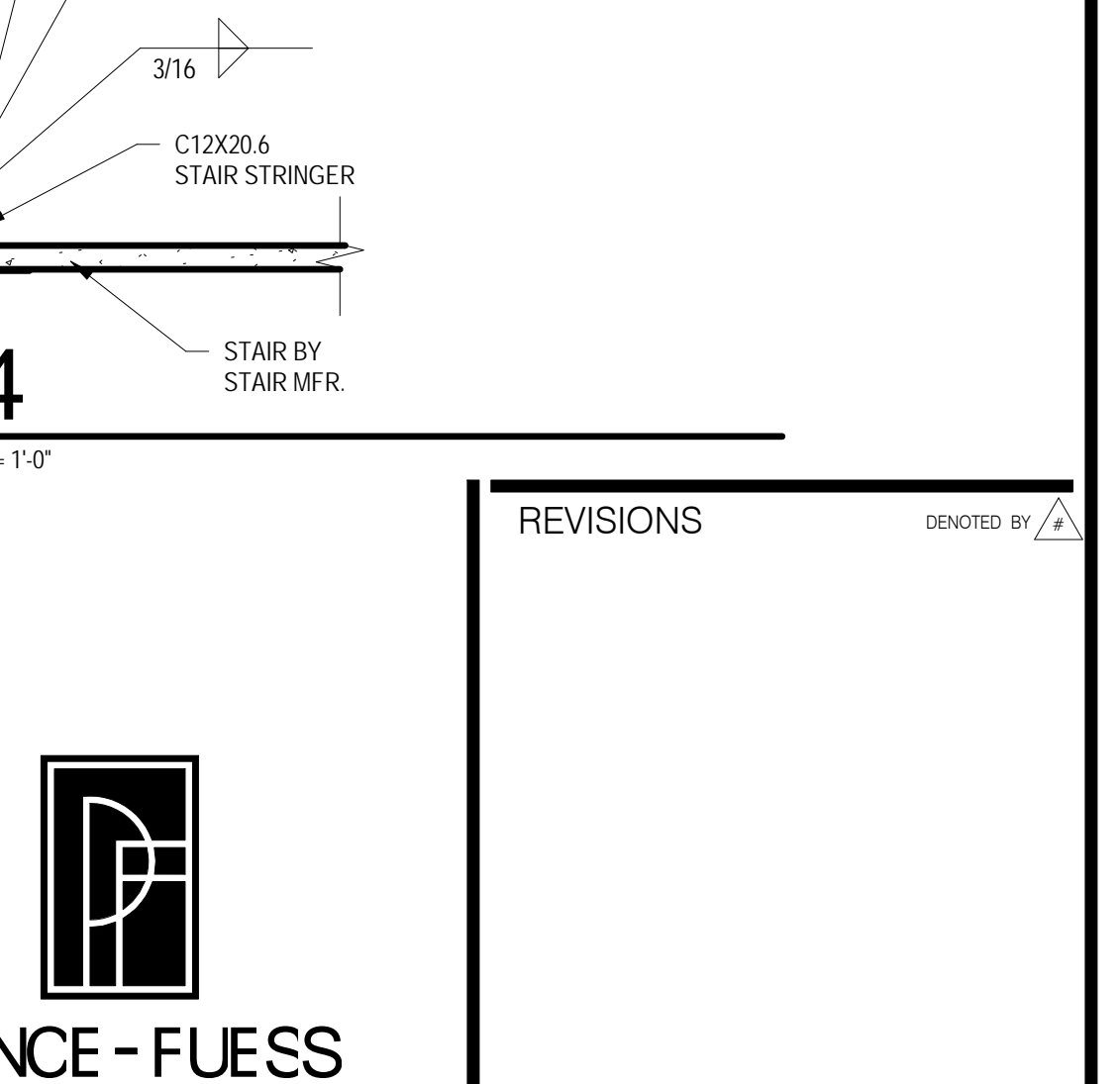
1
3/4" = 1'-0"



2
3/4" = 1'-0"



3
3/4" = 1'-0"



4
3/4" = 1'-0"

ALIGN TOP OF NEW CONCRETE WITH EXISTING. VARY THICKNESS OF NEW COMPOSITE SLAB AS REQ'D. (TOTAL THICKNESS OF COMPOSITE SLAB SHALL BE 6 1/2" MAX. 5" MIN.)

5x3 1/2x1/4 CONT. (LLV) W/ 3/4" DIA HILTI HAS RODS @ 12" O.C. EMBEDDED 4" INTO EXISTING CONCRETE USING HILTI HIT-200 SAFESET ADHESIVE W/ 1/2" DIA. (2-Q) DBA @ 12" O.C.

PL-1/2" X 12" X 1/4" W/ (4) 3/4" DIA HILTI HIT-200 SAFESET ADHESIVE

INFRAMING BEAM NOT SHOWN FOR CLARITY

NO.	REVISIONS	DENOTED BY

PONCE-FUESS
ENGINEERING

3333 Lee Parkway, Suite 475 • Dallas, TX 75219
469-310-2850 • www.ponce-fuess.com
Project No. 16276 TX REG. # F-12125

Hahnfeld Hoffer Stanford
architects planners interiors

200 Bailey Ave., Suite 200
Fort Worth, Texas 76107
817.921.5928
817.302.0692 fax

CANNONDESIGN

1580 Wilson Boulevard, Suite 200
Arlington, Virginia 22209
T: 703.907.2300
F: 703.907.2650

- CONSULTANTS
- JASTER-QUINTANILLA**
CIVIL ENGINEER
100 GLASS ST.
DALLAS, TEXAS 75207
TEL 972.752.9098
 - CAYE COOK & ASSOCIATES**
LANDSCAPE ARCHITECT
12700 HILLCREST RID. SUITE 149
DALLAS, TX 75230
TEL 214.739.9105
 - PONCE-FUESS ENGINEERING, LLC**
STRUCTURAL ENGINEER
3333 LEE PARKWAY, SUITE 475
DALLAS, TEXAS 75219
TEL 469.310.2850
 - PURDY-McGUIRE, INC.**
MEP ENGINEER
17300 DALLAS PARKWAY, SUITE 3000
DALLAS, TEXAS 75248
TEL 972.239.5357
 - RICCA DESIGN STUDIOS**
FOOD SERVICE CONSULTANT
5325 S VALENTIA WAY
GREENWOOD VILLAGE, COLORADO 80111
TEL 303.221.0500
 - LAFLEUR ASSOCIATES, LLP**
LIGHTING CONSULTANT
307 HIGH STREET, SUITE D
CHESTERTOWN MARYLAND 21620
TEL 410.323.1420
 - WJHW, INC.**
AUDIO/VISUAL CONSULTANTS
3424 MIDCOURT ROAD, SUITE 124
CARROLLTON, TEXAS 75006
TEL 972.934.3700
 - WISS, JANNEY, ELSSTNER ASSOCIATES, INC.**
BUILDING ENVELOPE CONSULTANT
6363 N. STATE HIGHWAY 161, SUITE 550
IRVING, TEXAS 75038
TEL 972.550.7777



**TEXAS WOMENS UNIVERSITY
HUBBARD HALL
ADDITION AND RENOVATION
- STUDENT UNION
DENTON, TEXAS**

PROJECT #: 16032-00 MANAGER: PFE
ISSUED FOR: 100% CD DRAFTER: PFE
DATE: NOVEMBER 30, 2017 CHECKED: PFE

STEEL DETAILS

SHEET
S5-5
OF SHEETS