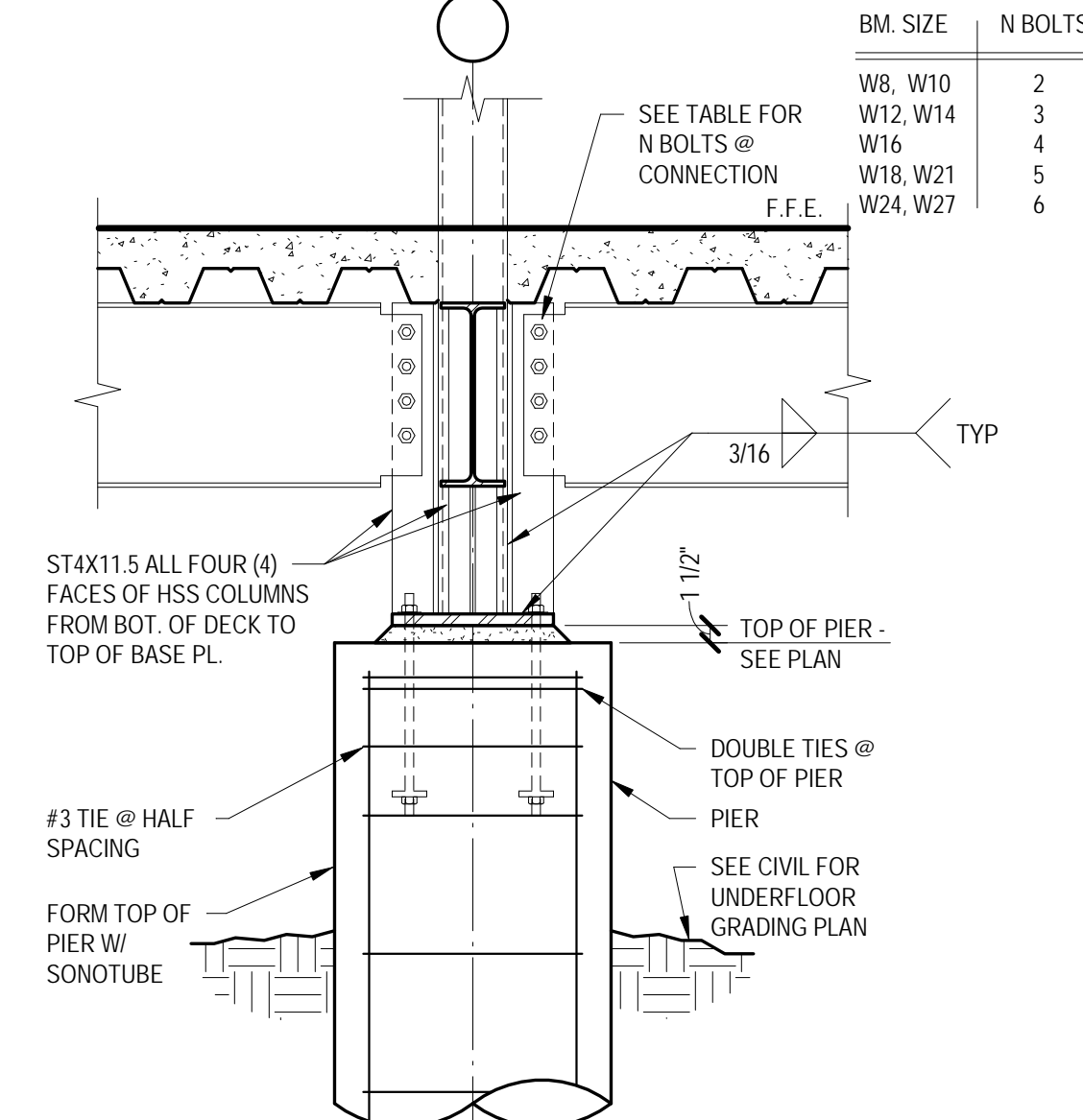


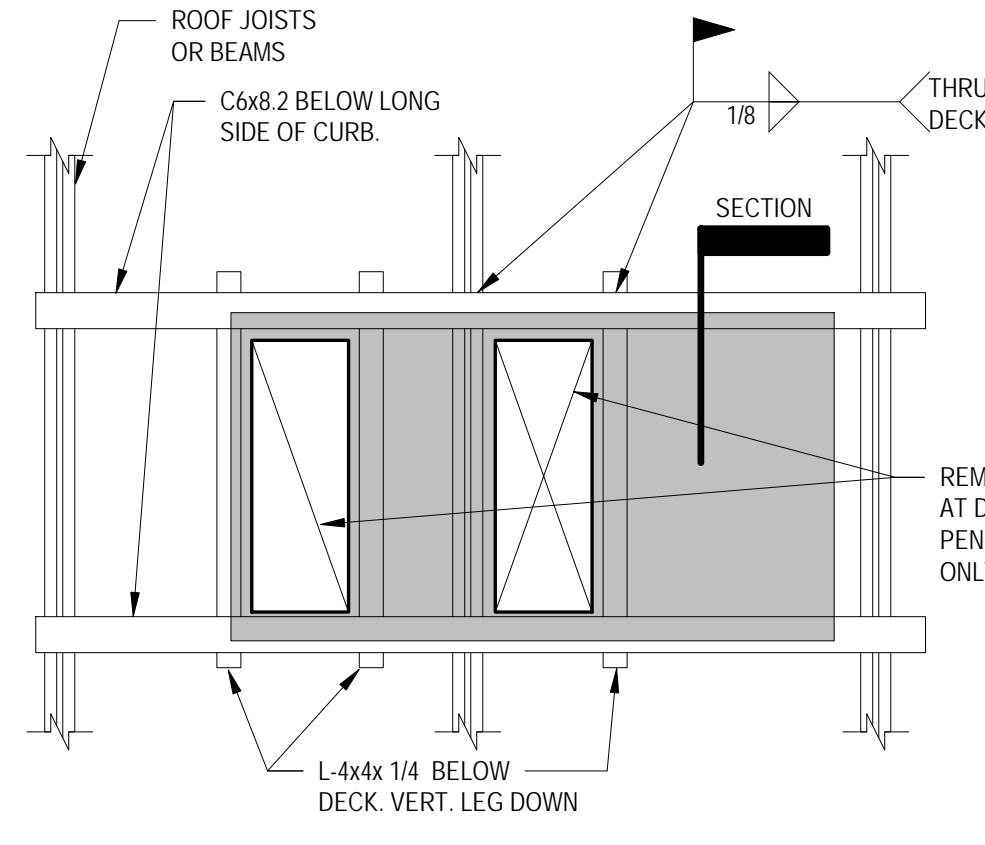
21 ELEVATOR RAIL SUPPORT
TYPICAL DETAIL

NO SCALE TD05652



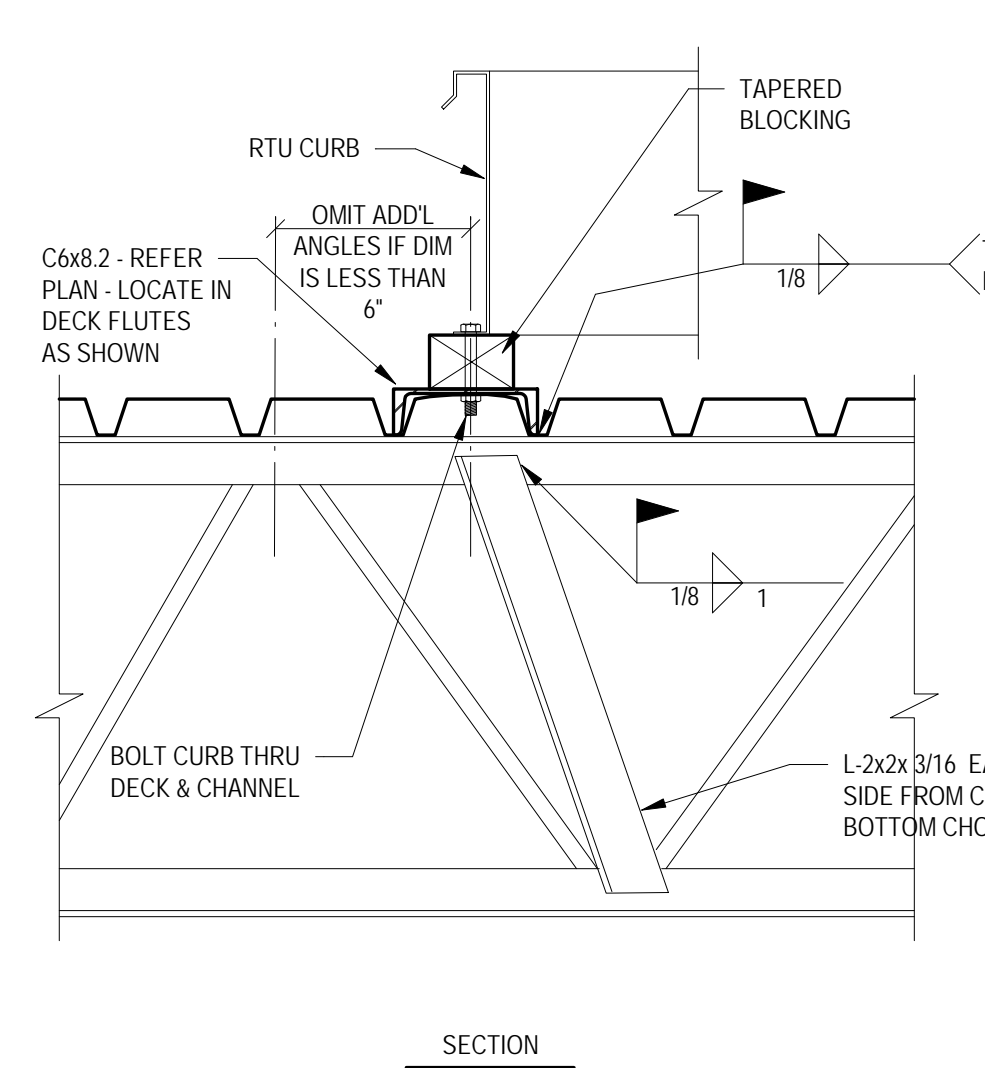
22 CRAWL SPACE COLUMN
TYPICAL DETAIL

NO SCALE



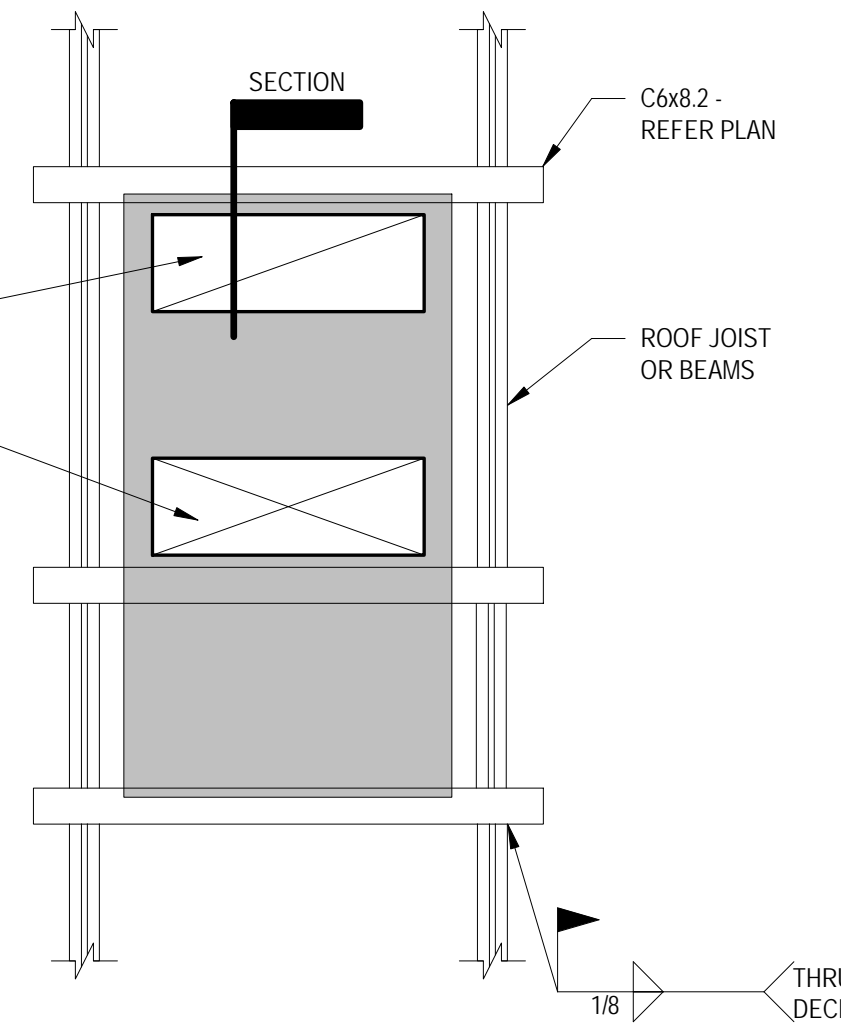
19 MECHANICAL UNIT SUPPORT
TYPICAL DETAIL

NO SCALE TD05621



19 MECHANICAL UNIT SUPPORT
TYPICAL DETAIL

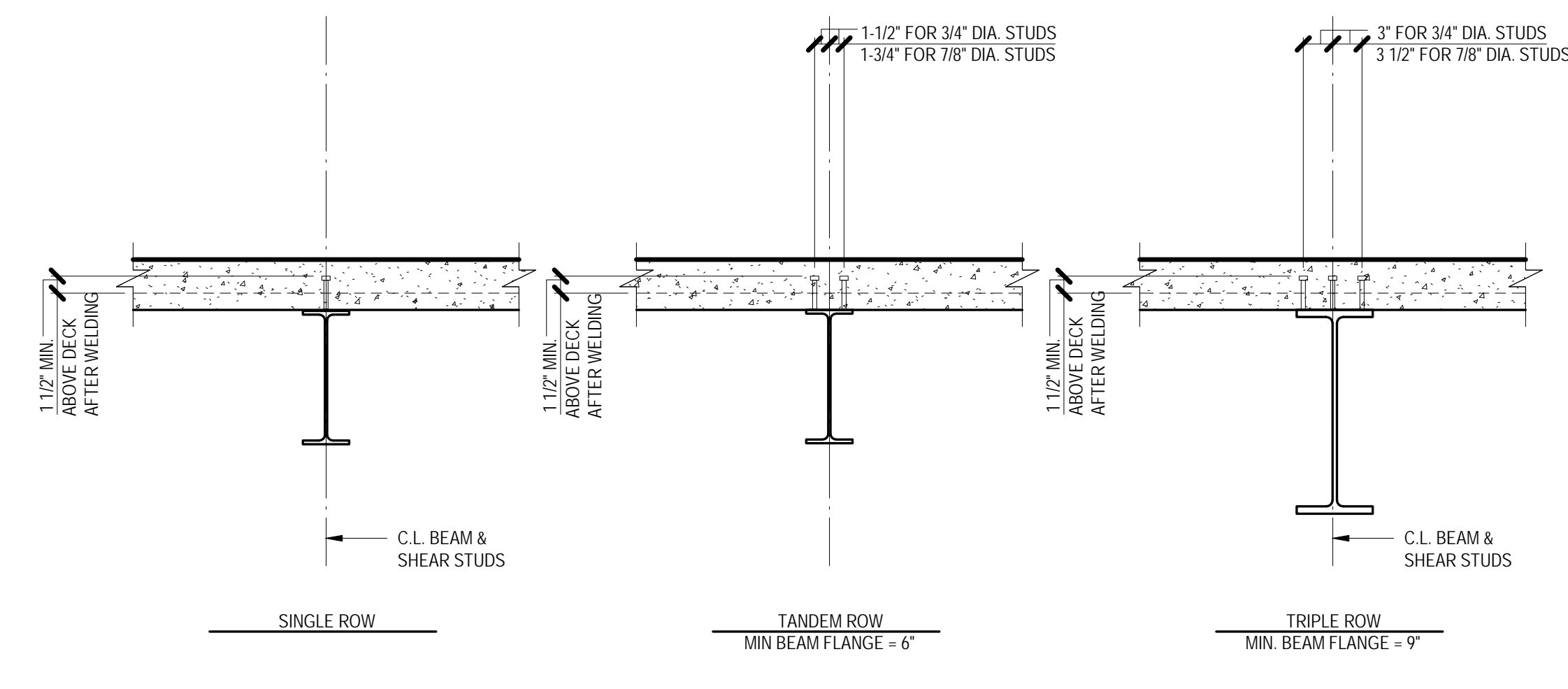
NO SCALE TD05621



19 MECHANICAL UNIT SUPPORT
TYPICAL DETAIL

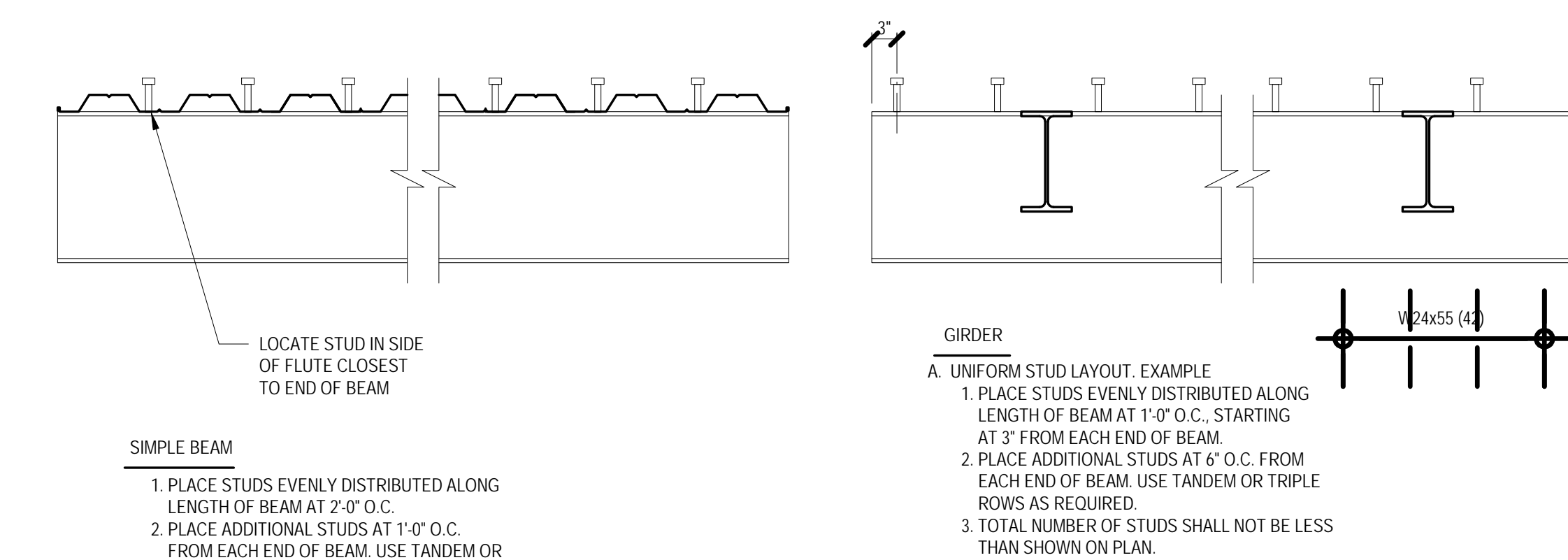
NO SCALE TD05652

- MECHANICAL UNIT SUPPORT NOTES:**
1. INSTALL C6X8.2'S FROM TOP SIDE, AFTER DECK PLACEMENT. LOCATE IN DECK FLUTES ADJUSTING SPACING IN 6" INCREMENTS TO SUPPORT LONG SIDE OF CURB.
 2. POSITION CURB OVER CHANNELS AND LOCATE RECD DUCT PENETRATIONS THRU ROOF. REFER TO MECH. DRWS FOR EXACT SIZES.
 3. POSITION ANGLES BELOW DECK AND WELD TO CHANNELS THRU DECK FROM TOP SIDE. OMIT CROSS ANGLES IF EDGE OF PENETRATION IS WITHIN 6" OF A JOIST.
 4. CUT ROOF DECK ONLY AS REQUIRED FOR DUCT PENETRATION.



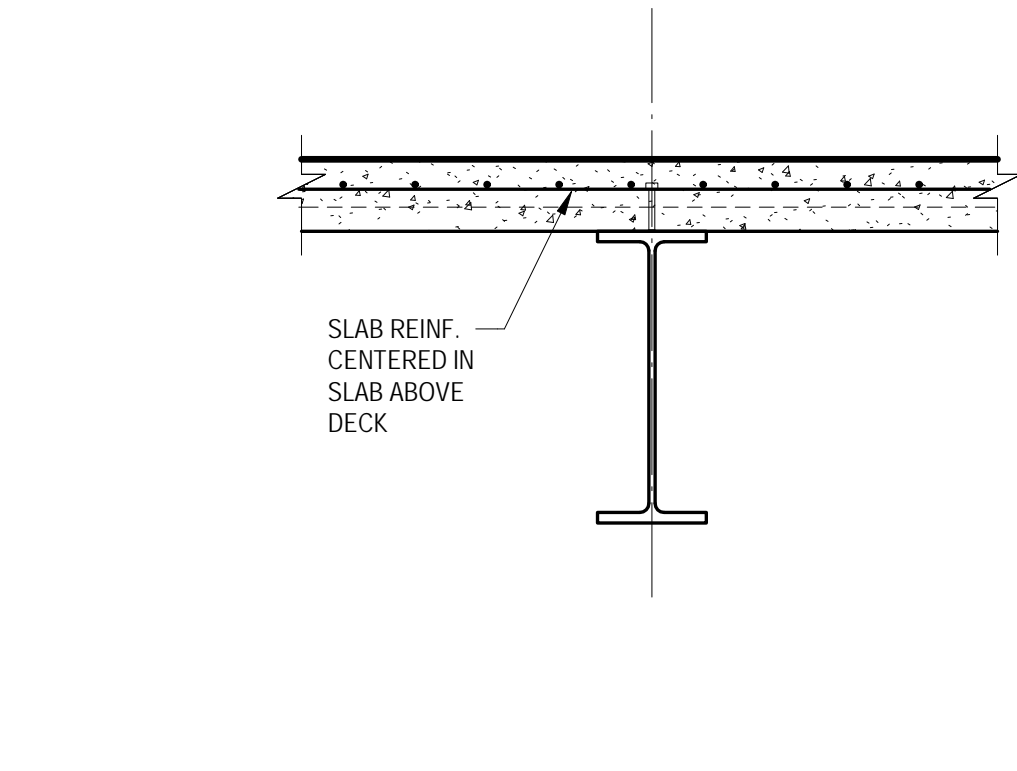
9 STUD WELDING DETAILS
TYPICAL DETAIL

NO SCALE TD05355



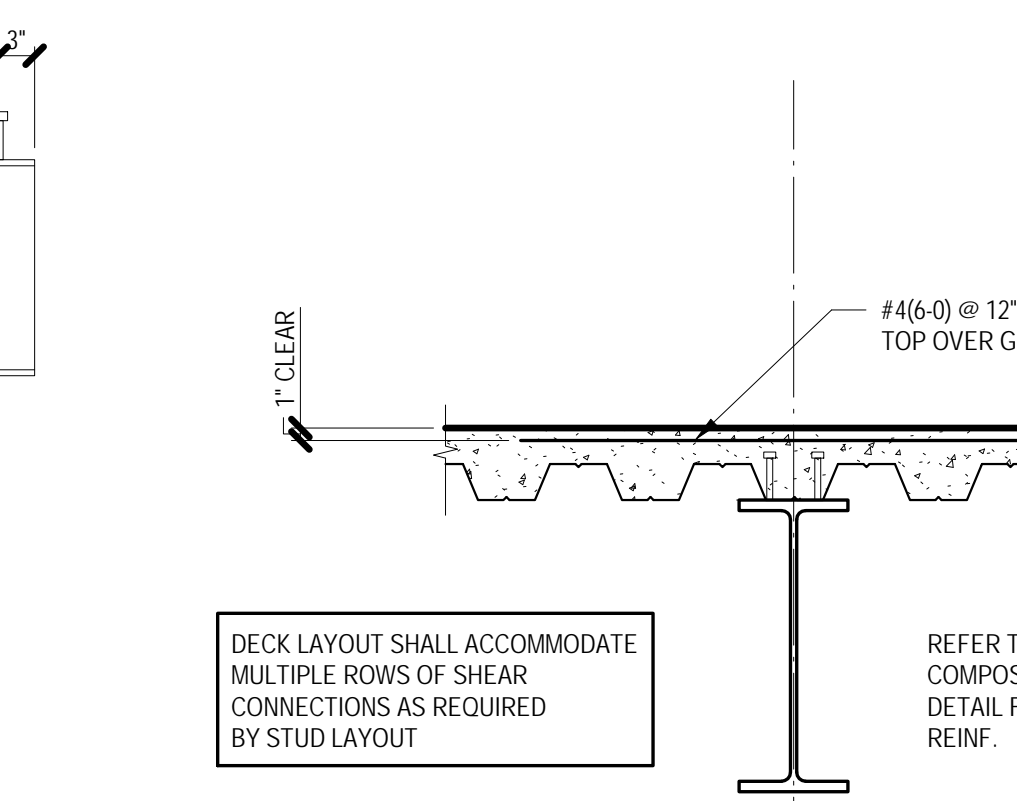
10 STUD LAYOUT - COMPOSITE BEAMS
TYPICAL DETAIL

NO SCALE TD05356



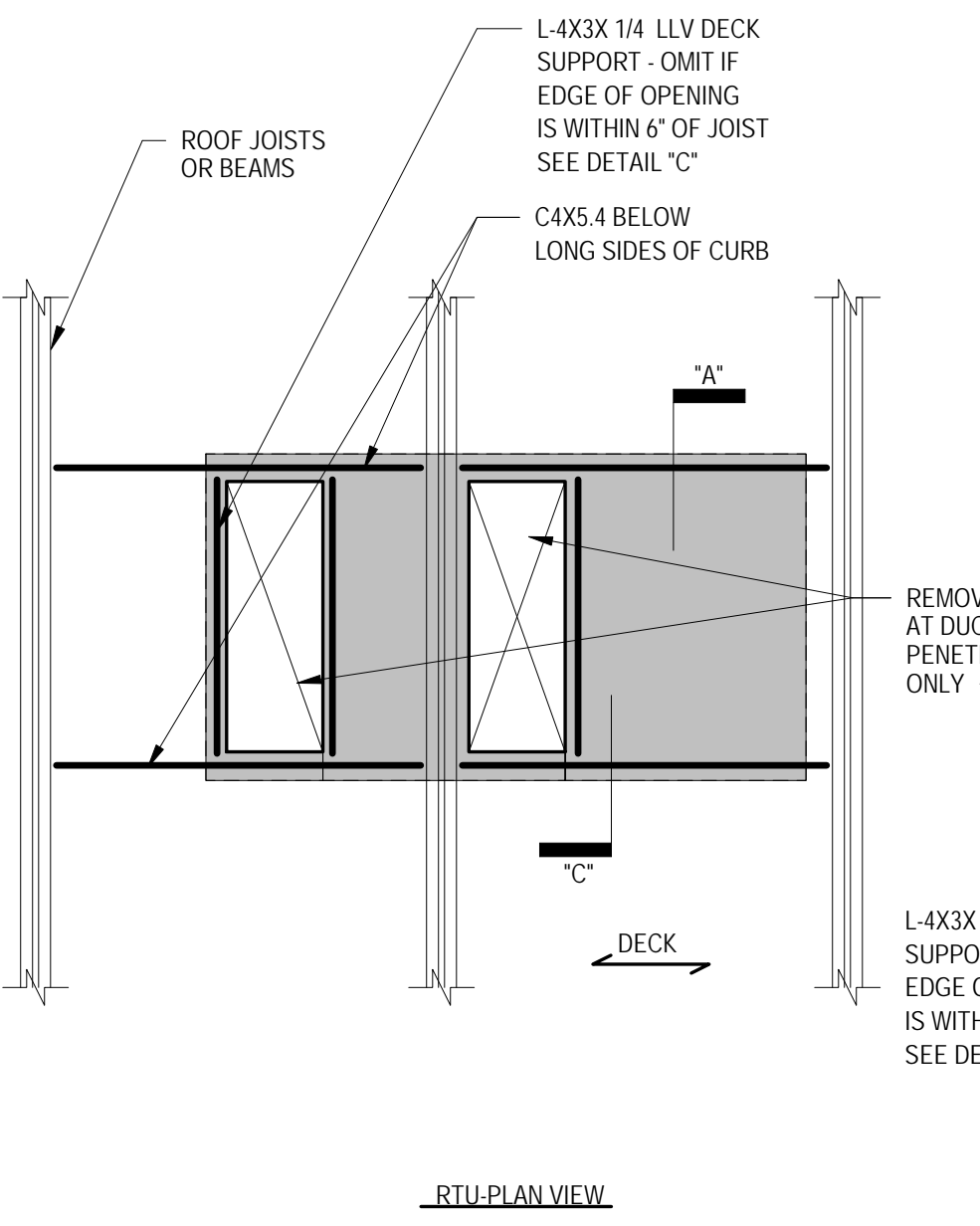
2 COMPOSITE GIRDER
TYPICAL DETAIL

NO SCALE TD05361



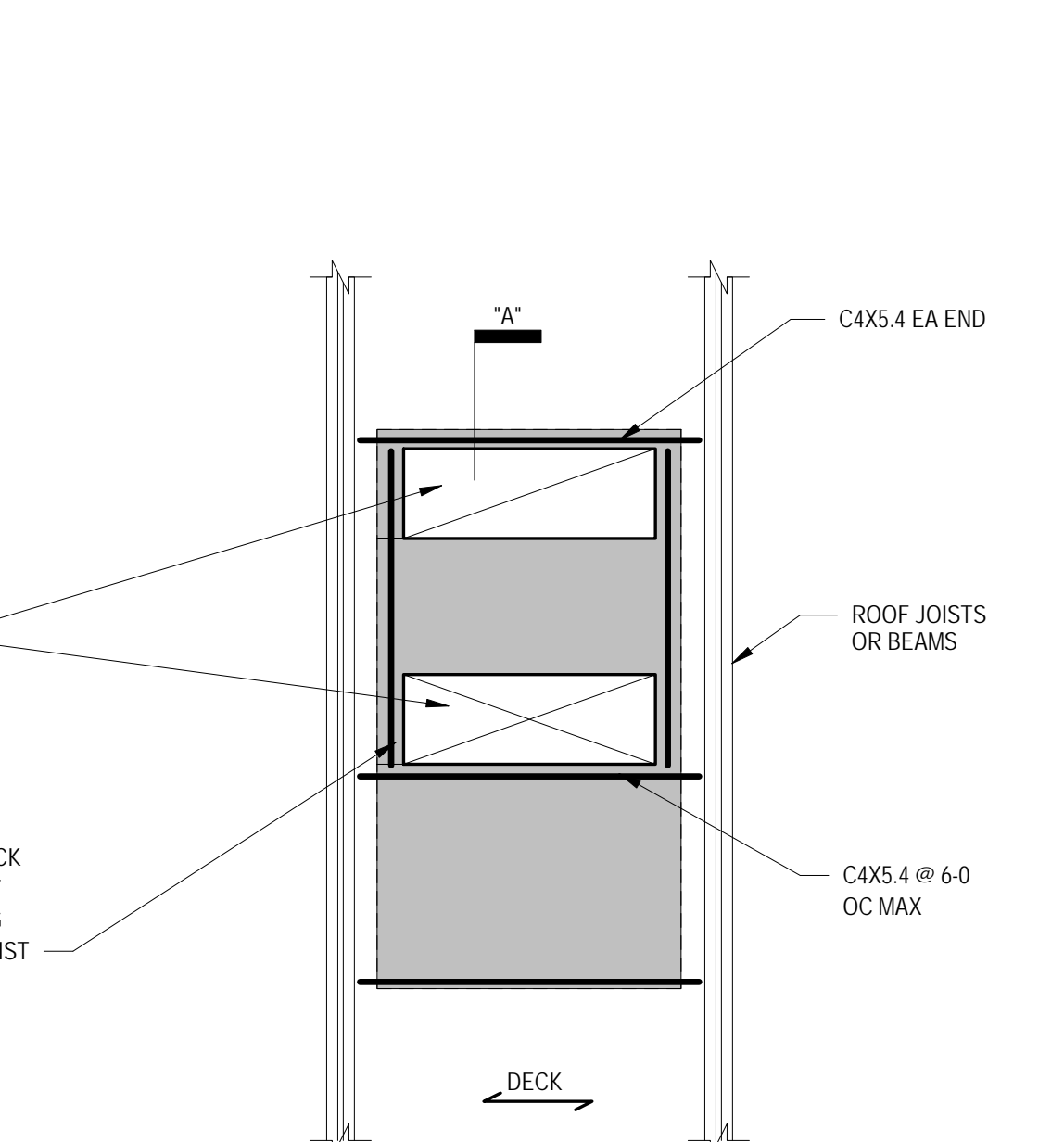
2 COMPOSITE GIRDER
TYPICAL DETAIL

NO SCALE TD05361



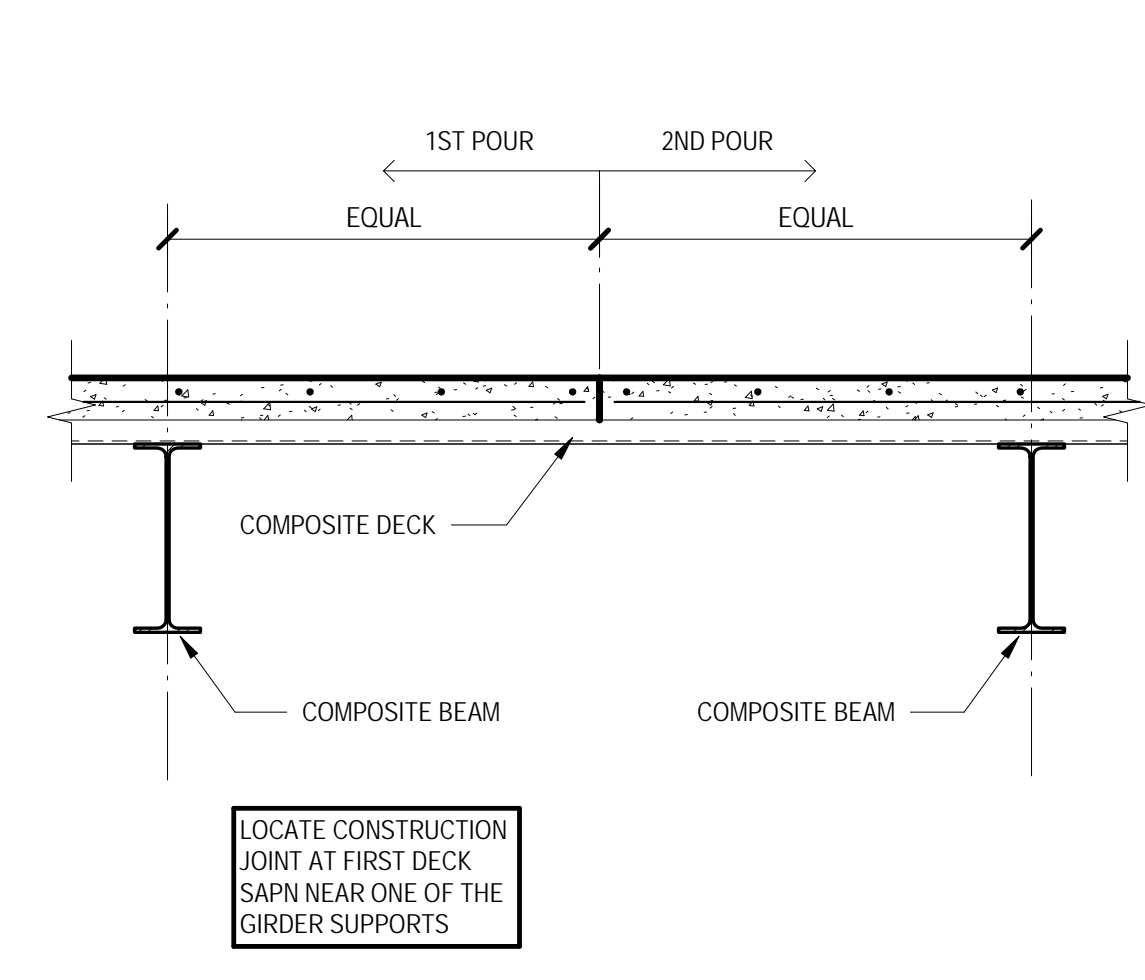
20 MECHANICAL UNIT SUPPORT -
EXISTING ROOF
TYPICAL DETAIL

NO SCALE TD05622



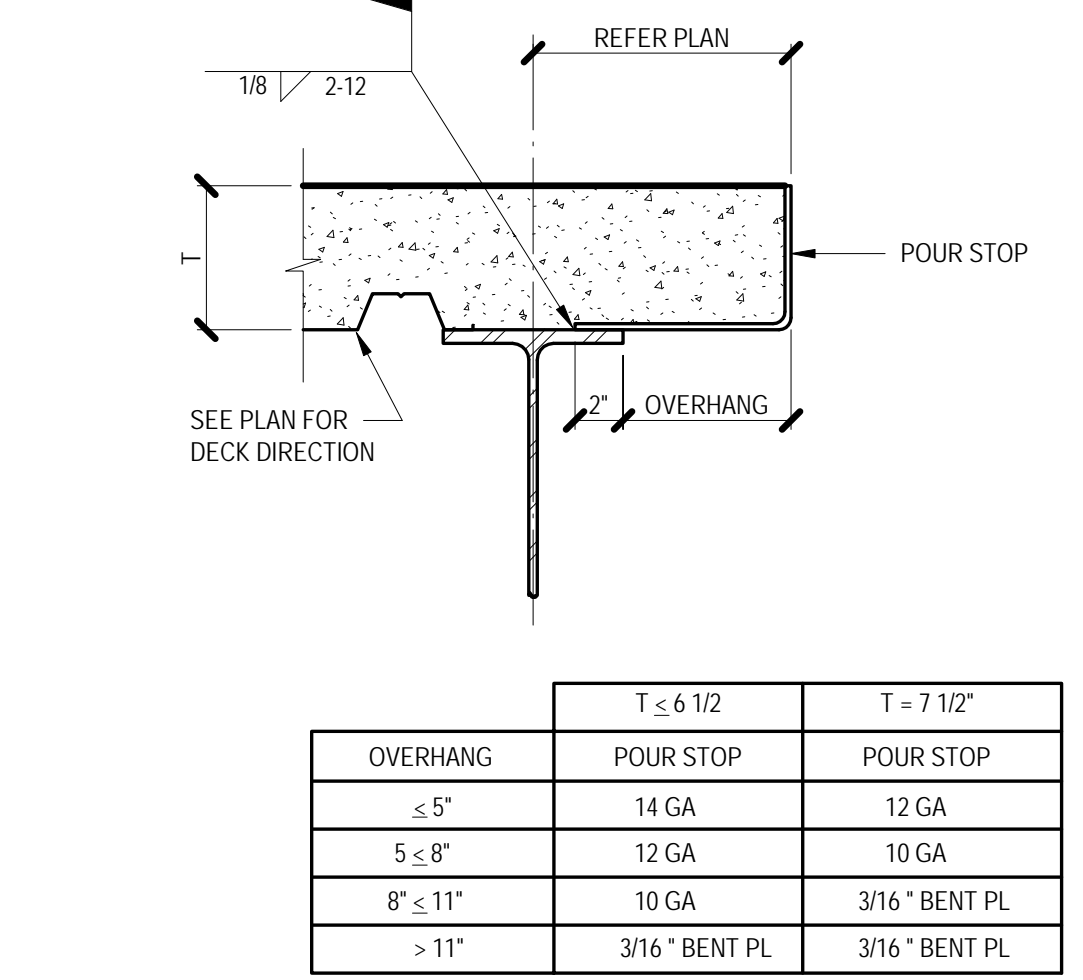
20 MECHANICAL UNIT SUPPORT -
EXISTING ROOF
TYPICAL DETAIL

NO SCALE TD05622



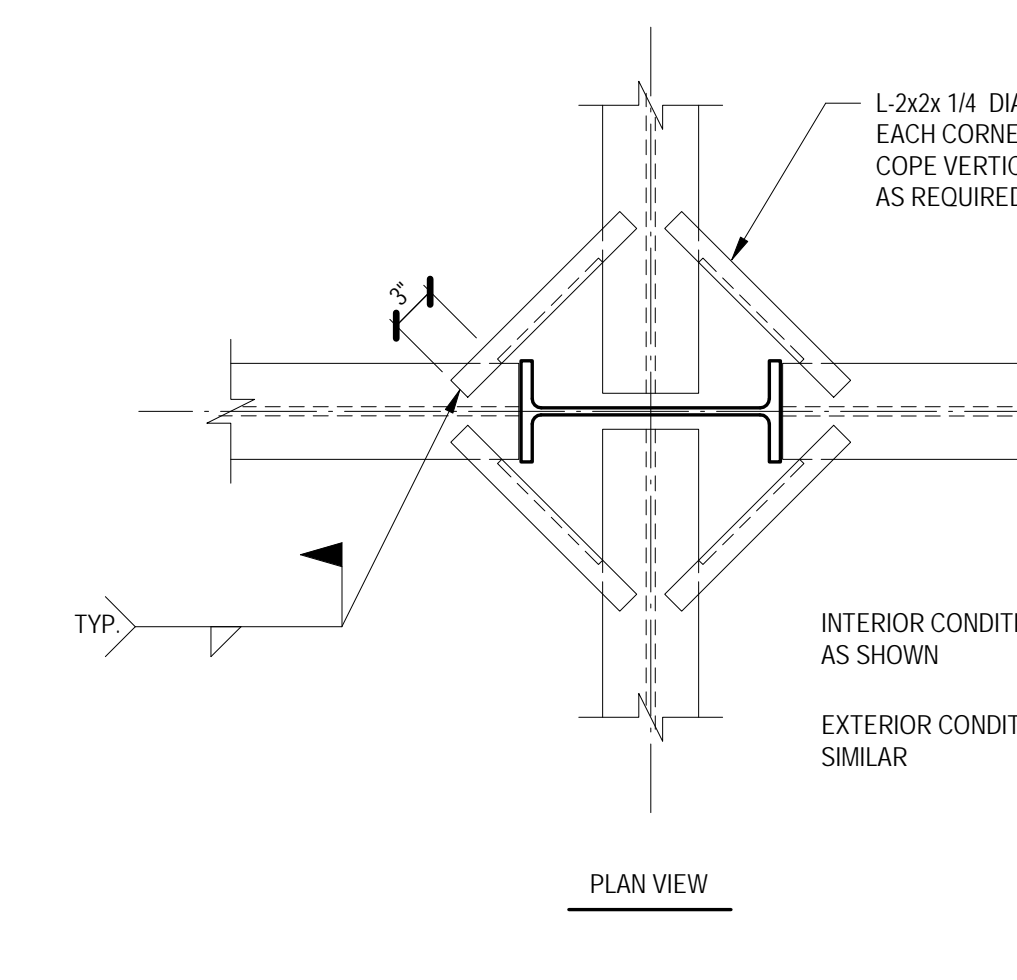
11 CONSTRUCTION JOINT IN
COMPOSITE SLAB
TYPICAL DETAIL

NO SCALE PFE-5-003



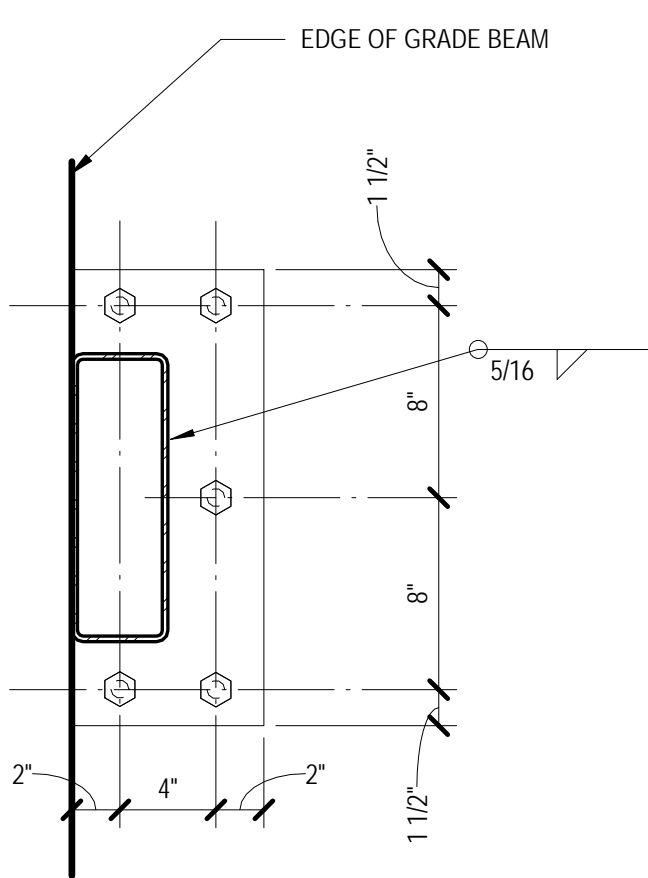
7 SLAB EDGE - COMPOSITE DECK
TYPICAL DETAIL

NO SCALE TD05323



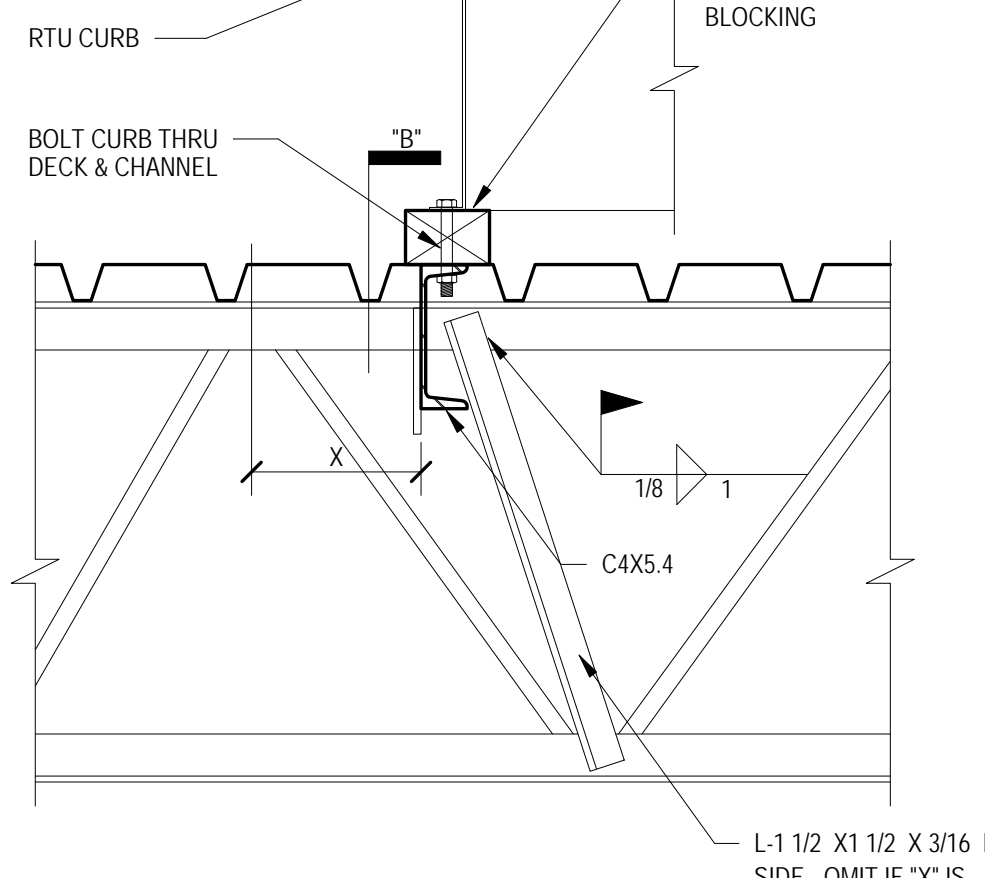
3 FLOOR DECK SUPPORT
TYPICAL DETAIL

NO SCALE TD05330



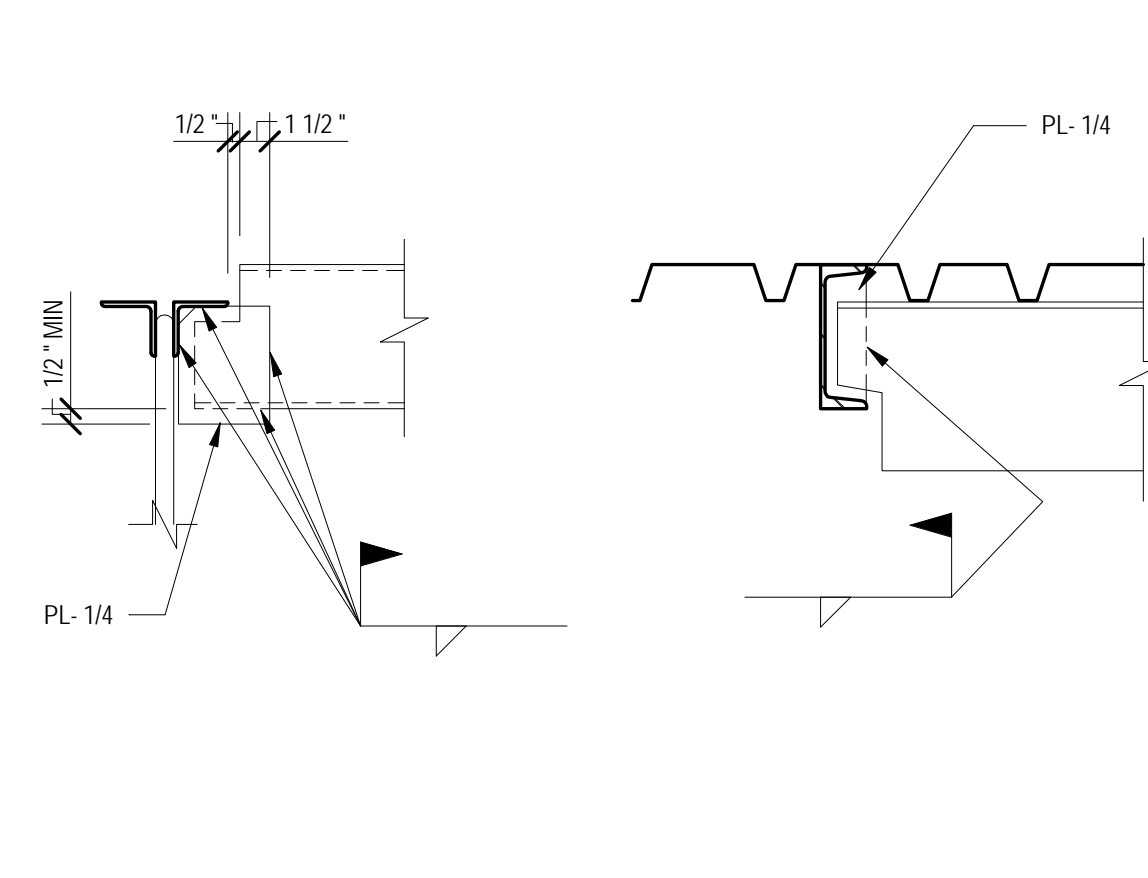
24 MECHANICAL UNIT SUPPORT -
EXISTING ROOF
TYPICAL DETAIL

NO SCALE



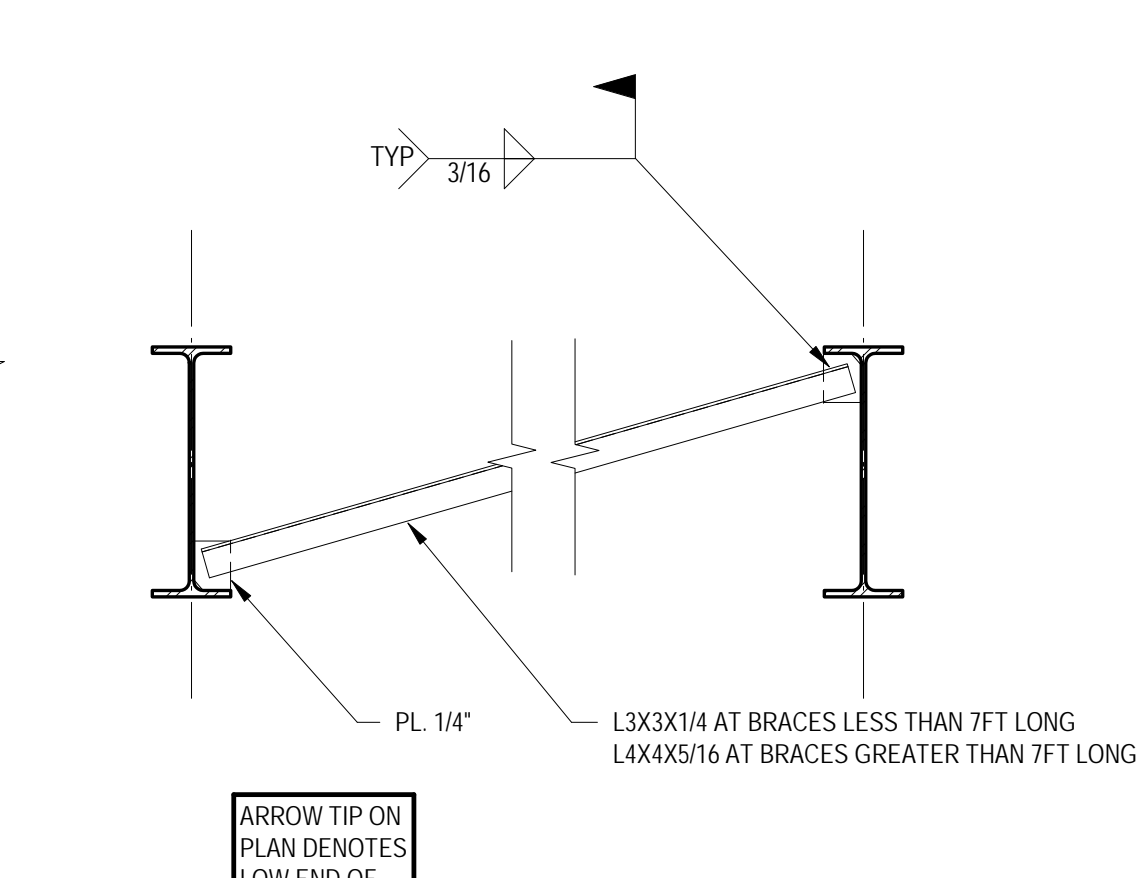
20 MECHANICAL UNIT SUPPORT -
EXISTING ROOF
TYPICAL DETAIL

NO SCALE TD05622



12 BOTTOM FLANGE BRACE
TYPICAL DETAIL

NO SCALE PFE-5-008



8 BEAM TO COLUMN CONNECTION
TYPICAL DETAIL

3/4" - 1'0"

- NOTES:**
1. IN THE CASE OF A CORNER (2 BEAM) CONDITION, GREAT THRU PL TO SUPPORT DEEPER BEAM.
 2. PROVIDE ADDL. BOLTS AS RECD. WHERE REACTIONS ARE GIVEN ON PLAN.

BM. SIZE	N BOLTS
WB, W10	2
W12, W14	3
W16, W18	4
W21	5
W24	6



PONCE - FUESS
ENGINEERING

3333 Lee Parkway, Suite 475 • Dallas, TX 75219
469-310-2850 • www.ponce-fuess.com
Project No. 16276 TX REG. # F-12125

REVISIONS DENOTED BY

Hahnfeld Hoffer Stanford

architects planners interiors

200 Bailey Ave., Suite 200
Fort Worth, Texas 76107
817.921.5928
817.302.0692 fax

CANNONDESIGN

1580 Wilson Boulevard, Suite 200
Arlington, Virginia 22209
T: 703.907.2300
F: 703.907.2850

CONSULTANTS

JASTER-QUINTANILLA
CIVIL ENGINEER
100 GLASS ST.
DALLAS, TEXAS 75207
TEL 972.752.9098

CAYE COOK & ASSOCIATES
LANDSCAPE ARCHITECT
12700 HILLCREST RD, SUITE 149
DALLAS, TX 75230
TEL 214.739.9105

PONCE-FUESS ENGINEERING, LLC
STRUCTURAL ENGINEER
3333 LEE PARKWAY, SUITE 475
DALLAS, TEXAS 75219
TEL 469.310.2850

PURDY-McGUIRE, INC.
MEP ENGINEER
17300 DALLAS PARKWAY, SUITE 3000
DALLAS, TEXAS 75248
TEL 972.239.5357

RICCA DESIGN STUDIOS
FOOD SERVICE CONSULTANT
5325 S VALENTIA WAY
GREENWOOD VILLAGE, COLORADO 80111
TEL 303.221.0500

LAFLEUR ASSOCIATES, LLP
LIGHTING CONSULTANT
307 HIGH STREET, SUITE D
CHESTERTOWN MARYLAND 21620
TEL 410.323.1420

WJHW, INC.
AUDIO/VISUAL CONSULTANTS
3424 MIDCOURT ROAD, SUITE 124
CARROLLTON, TEXAS 75006
TEL 972.934.3700

WISS, JANNEY, ELSSTNER ASSOCIATES, INC.
BUILDING ENVELOPE CONSULTANT
6363 N. STATE HIGHWAY 161, SUITE 550
IRVING, TEXAS 75038
TEL 972.550.7777



Lucas Ponce
11-30-2017

TEXAS WOMENS UNIVERSITY
HUBBARD HALL
ADDITION AND RENOVATION
- STUDENT UNION
DENTON, TEXAS

PROJECT #: 16032-00 MANAGER: PFE
ISSUED FOR: 100% CD DRAFTER: PFE
DATE: NOVEMBER 30, 2017 CHECKED: PFE

TYPICAL STEEL DETAILS

SHEET

S5-2

OF SHEETS