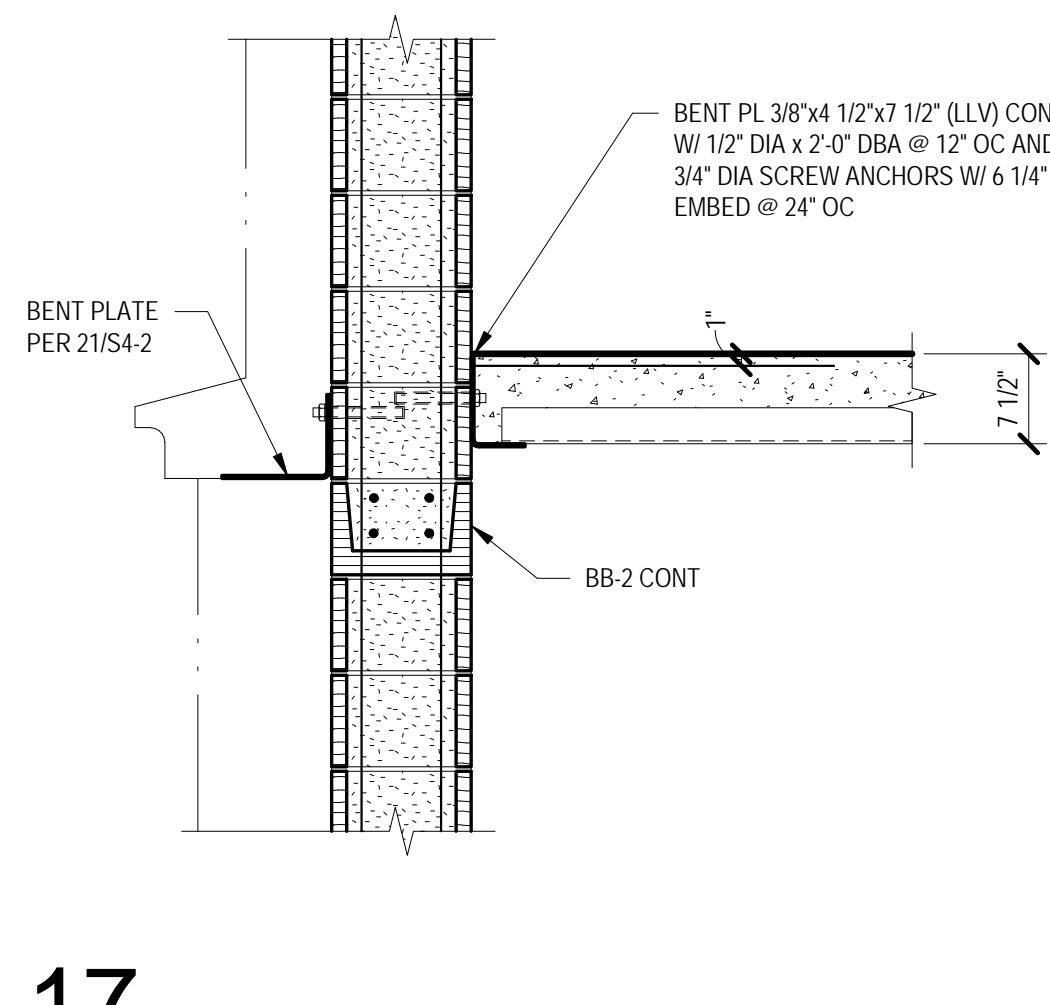
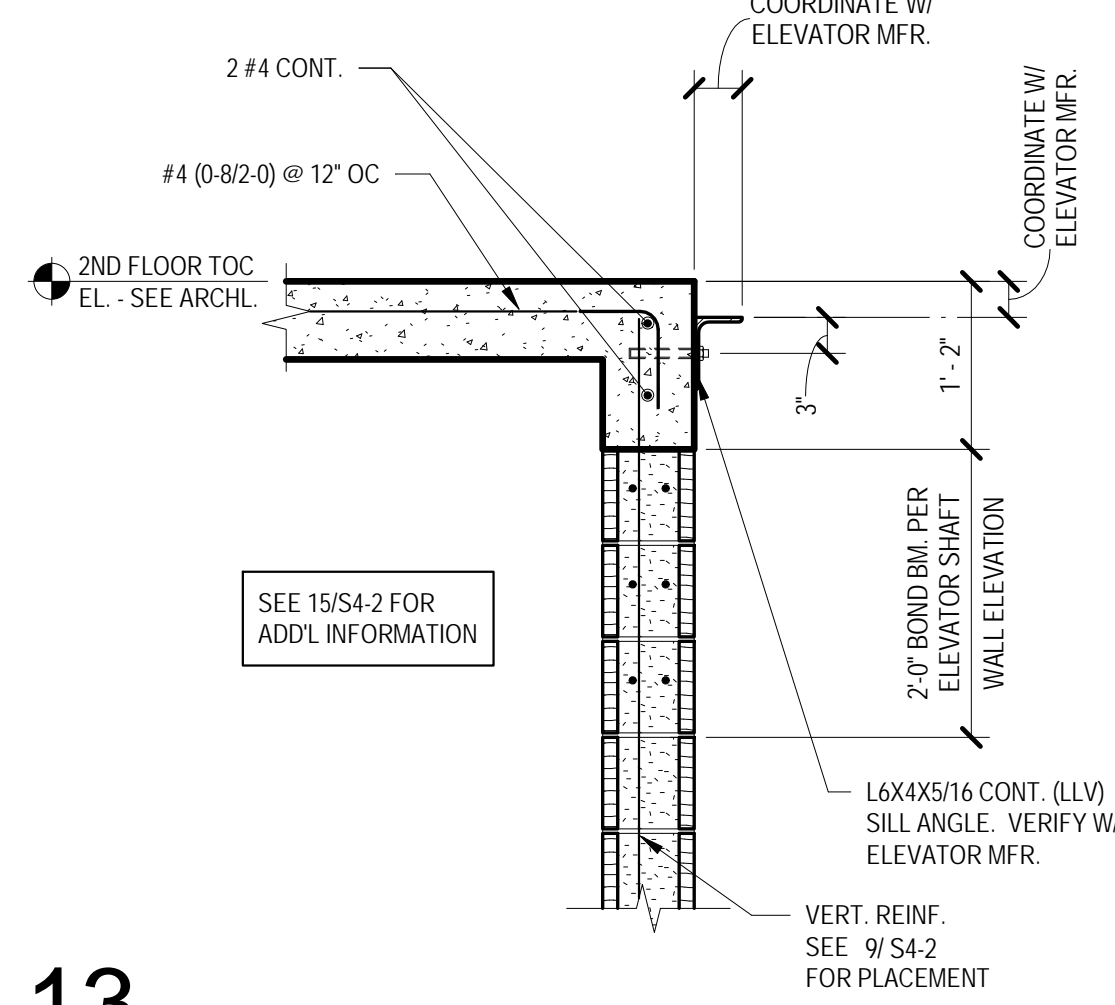


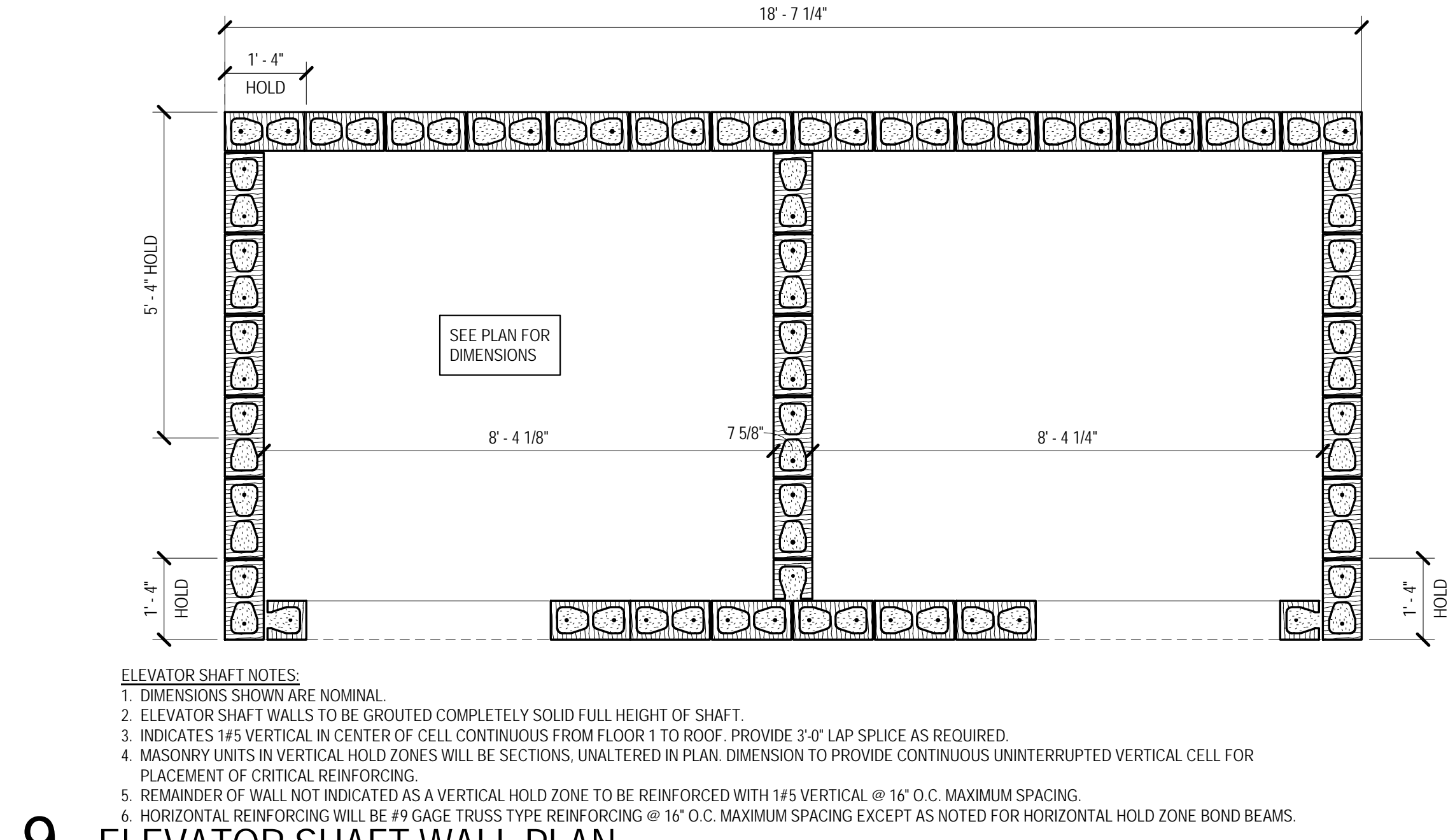
21  
3/4" - 1'-0"



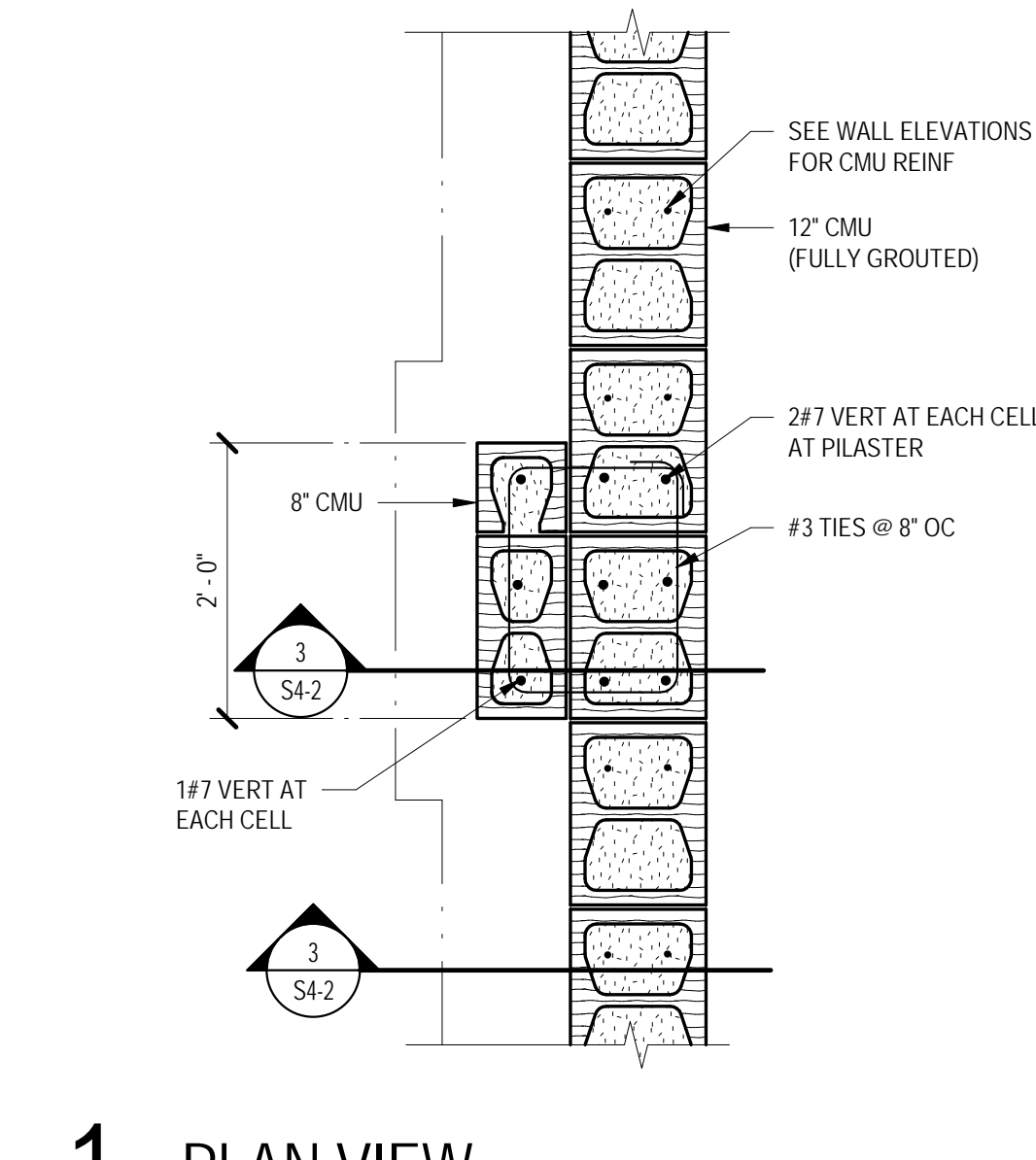
17  
3/4" - 1'-0"



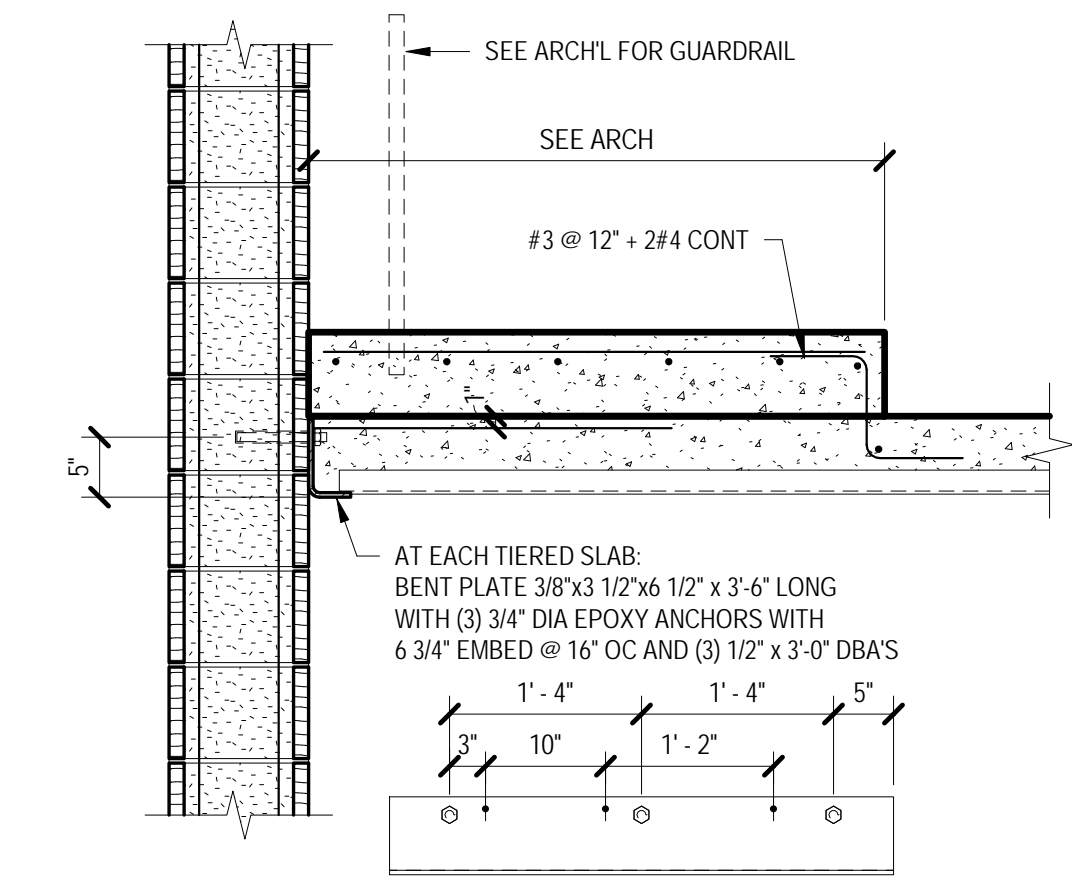
13  
3/4" - 1'-0"



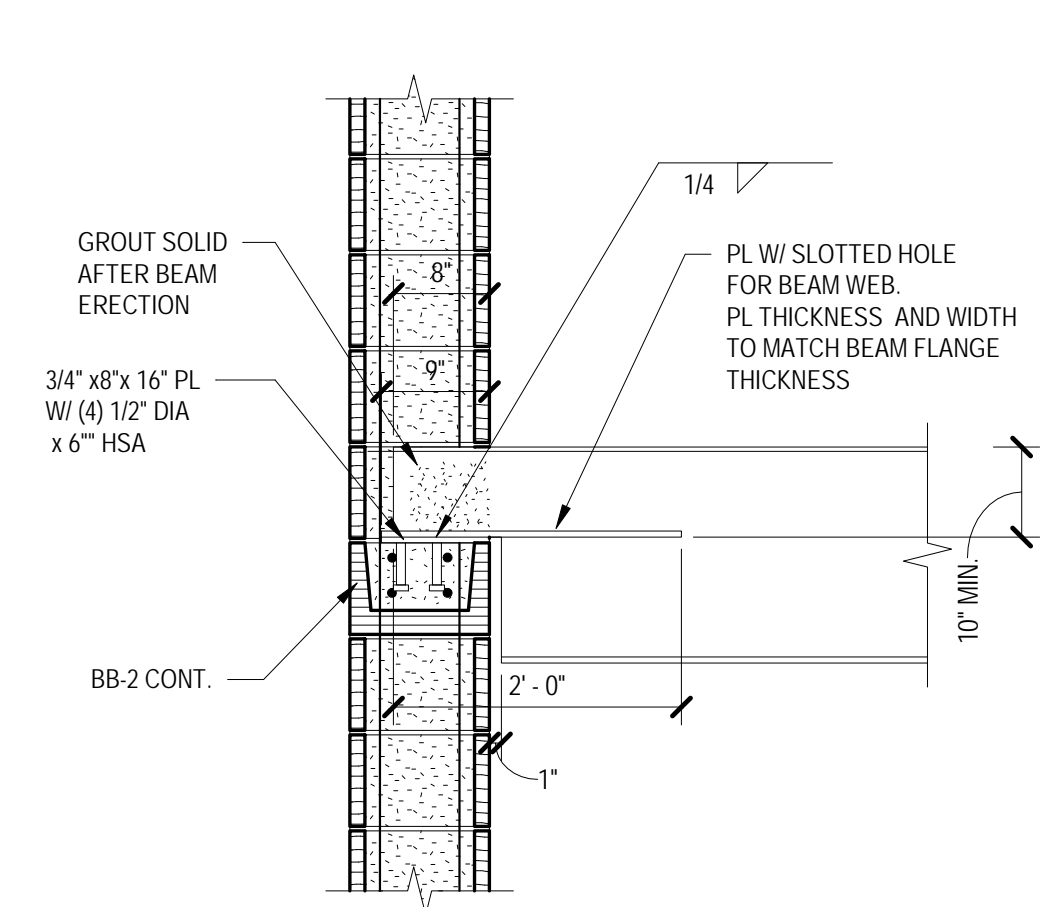
9  
1/2" - 1'-0"



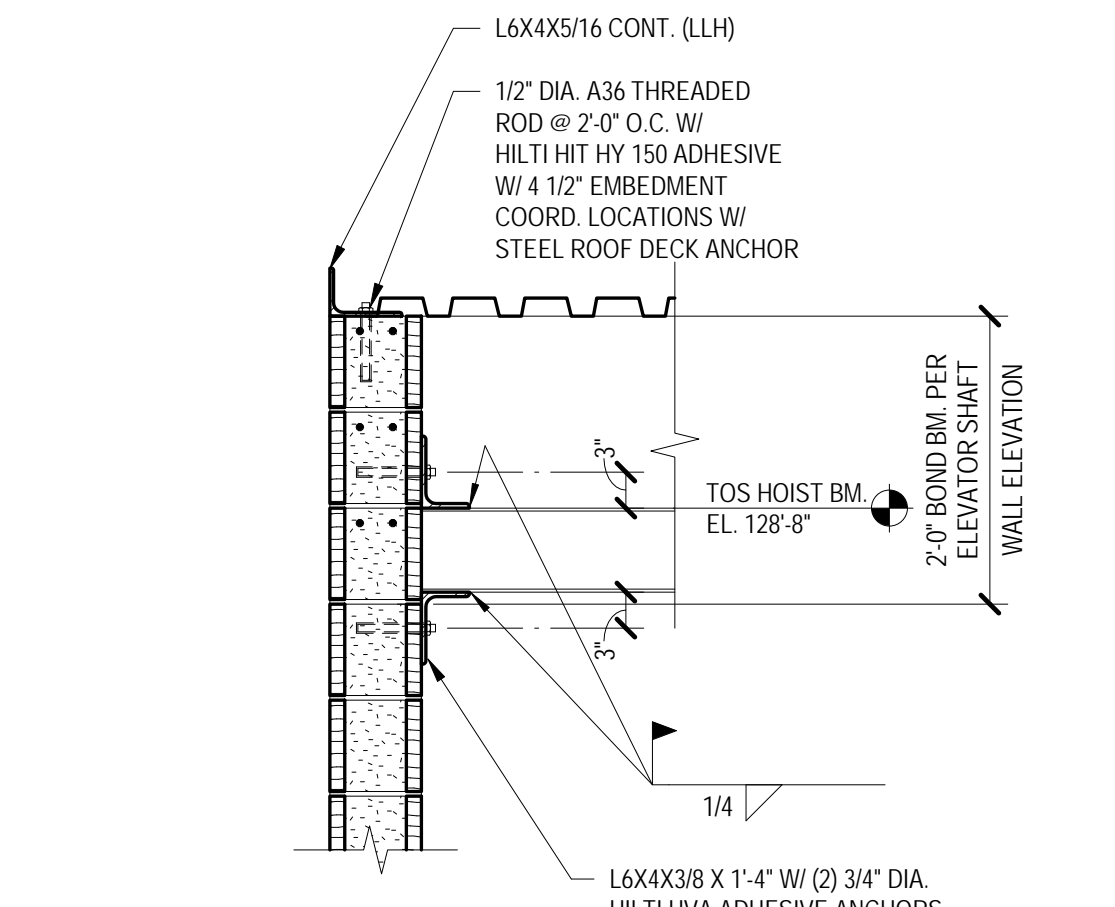
1  
3/4" - 1'-0"



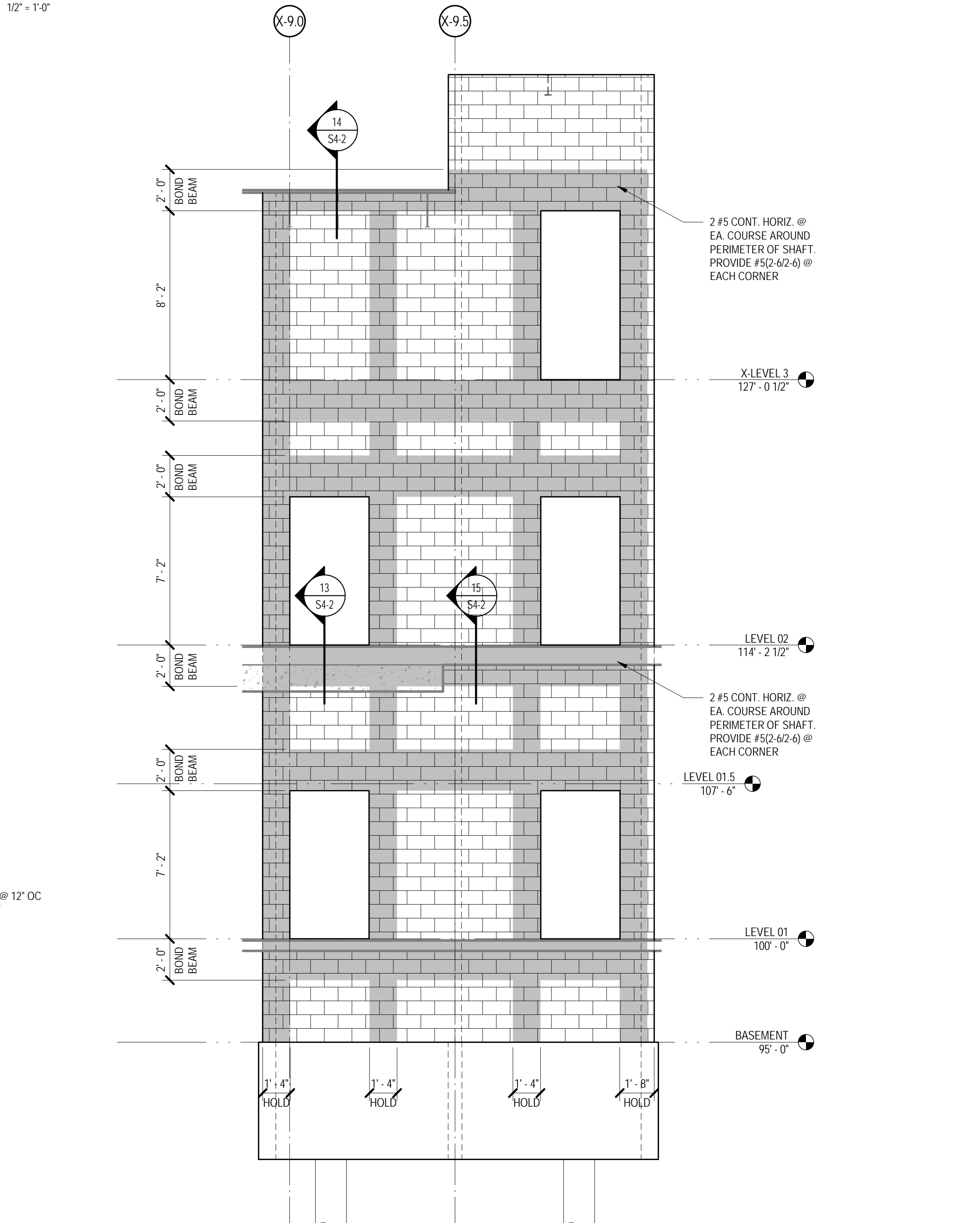
22  
3/4" - 1'-0"



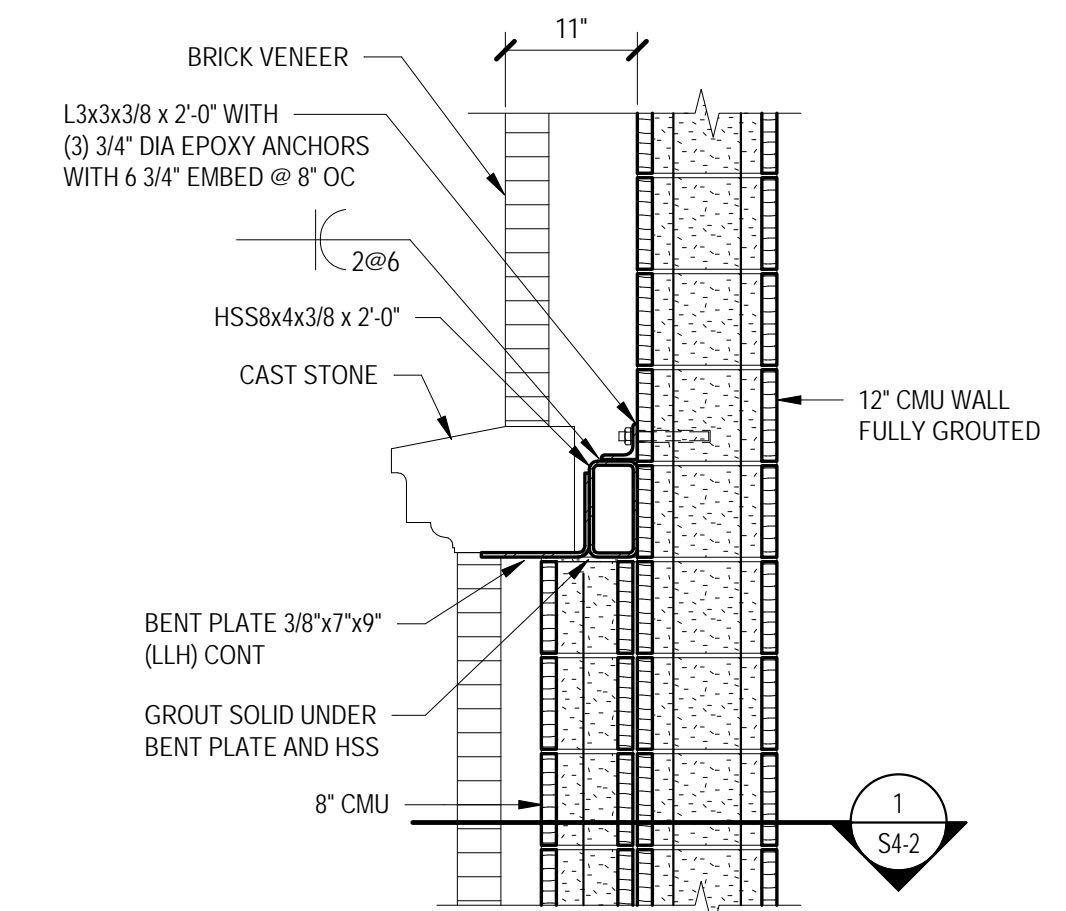
18  
3/4" - 1'-0"



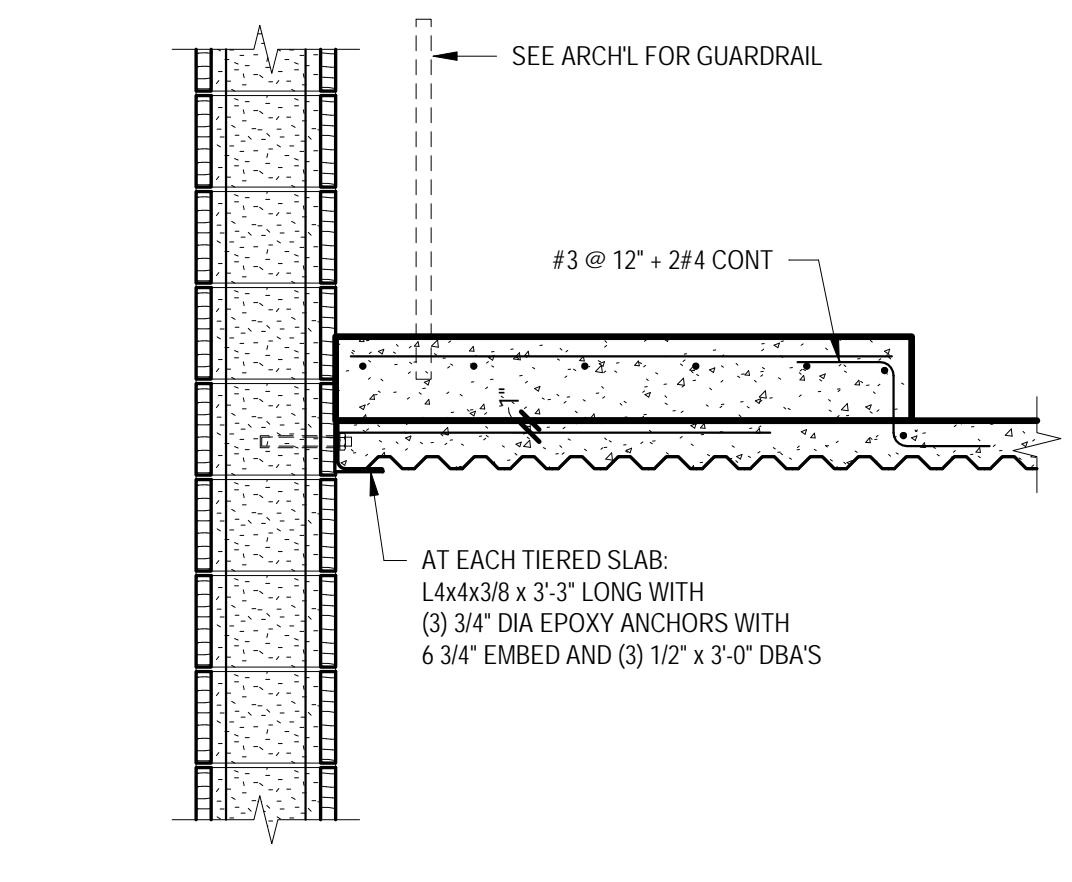
14  
3/4" - 1'-0"



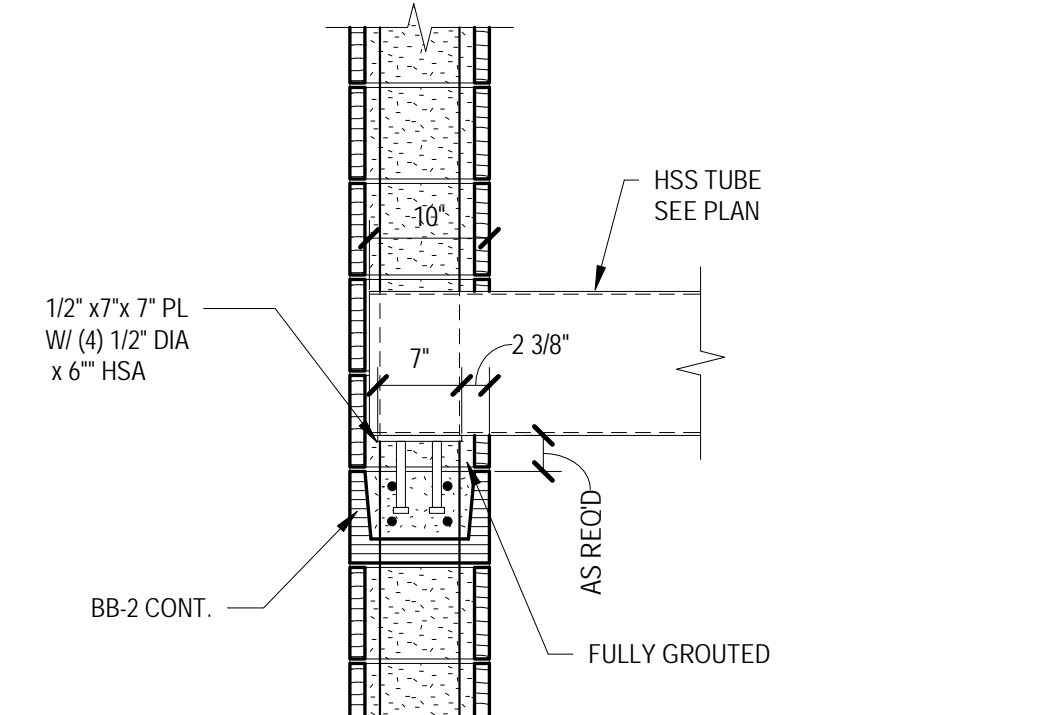
11  
1/4" - 1'-0"



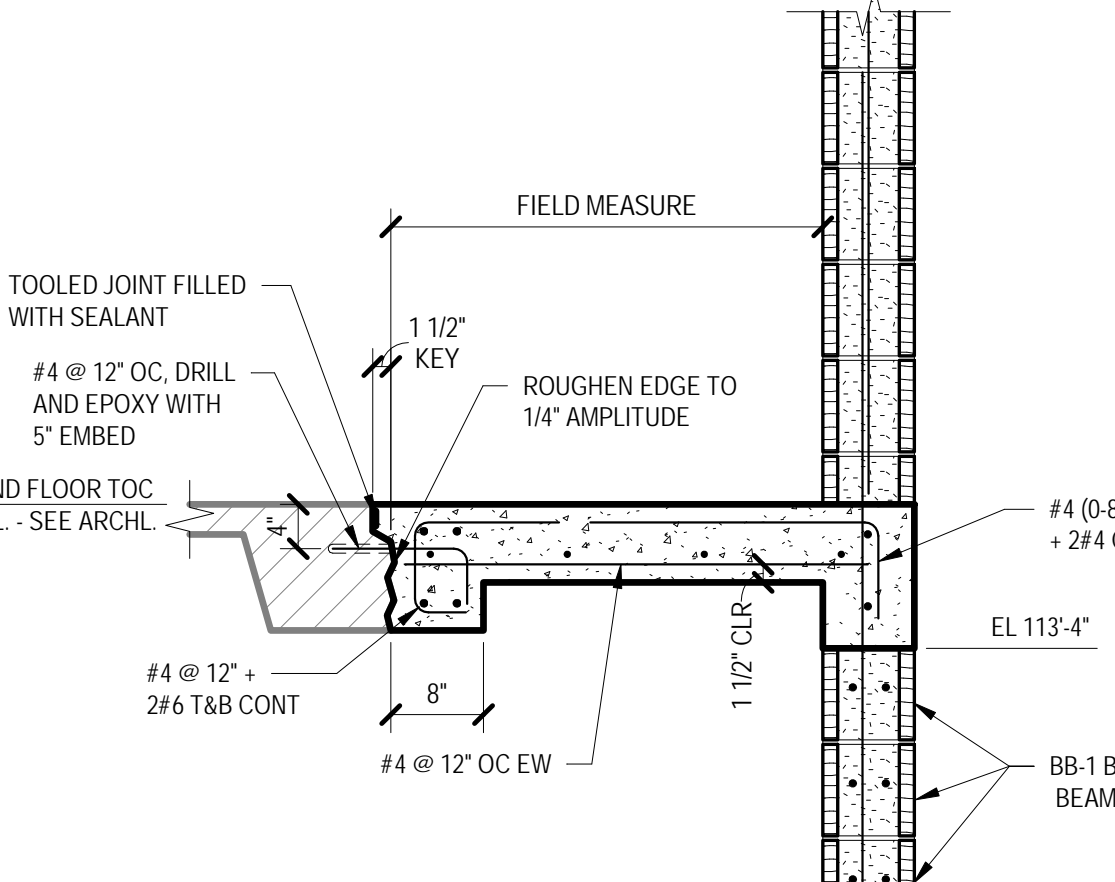
2  
3/4" - 1'-0"



23  
3/4" - 1'-0"

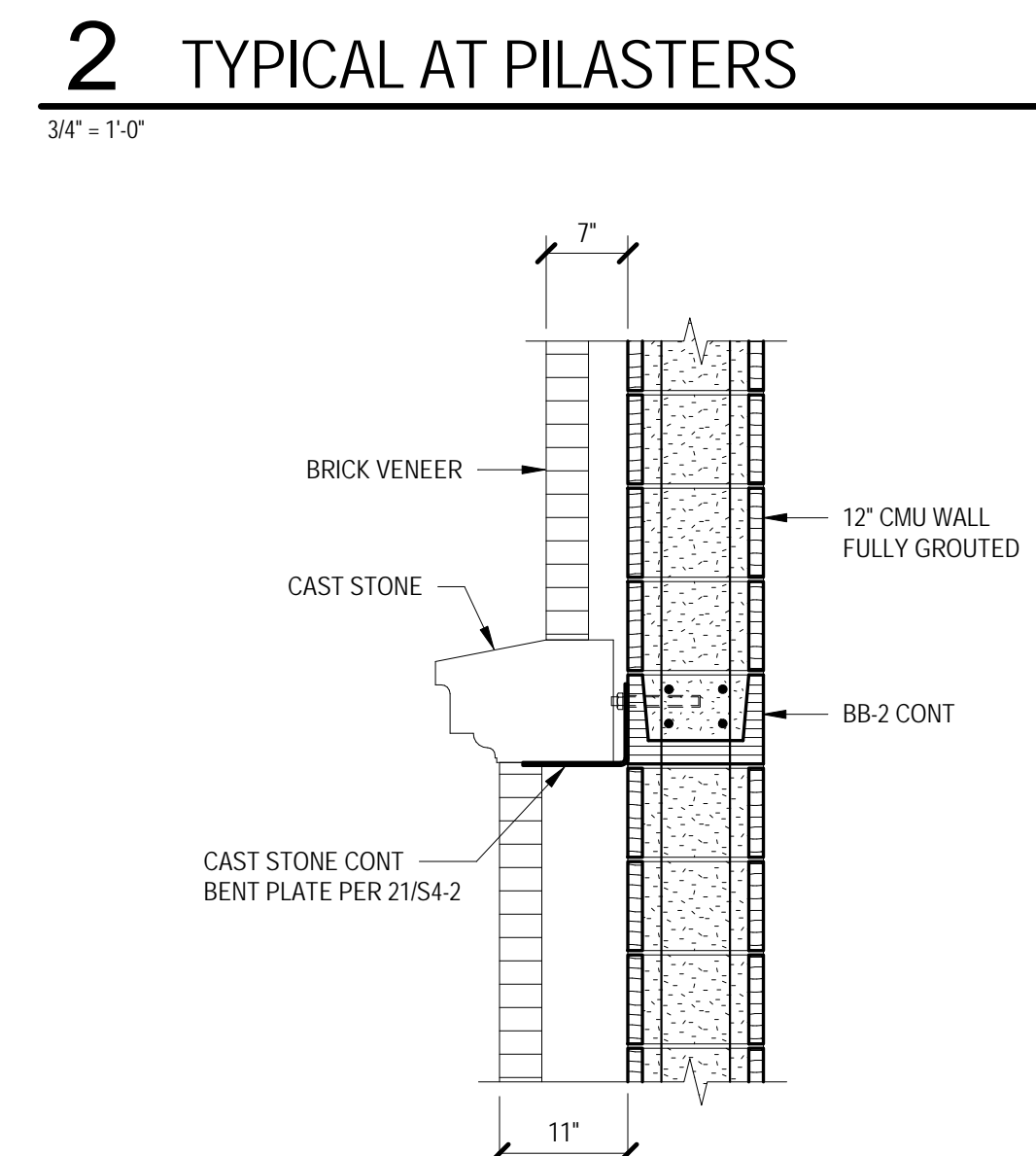


19  
3/4" - 1'-0"

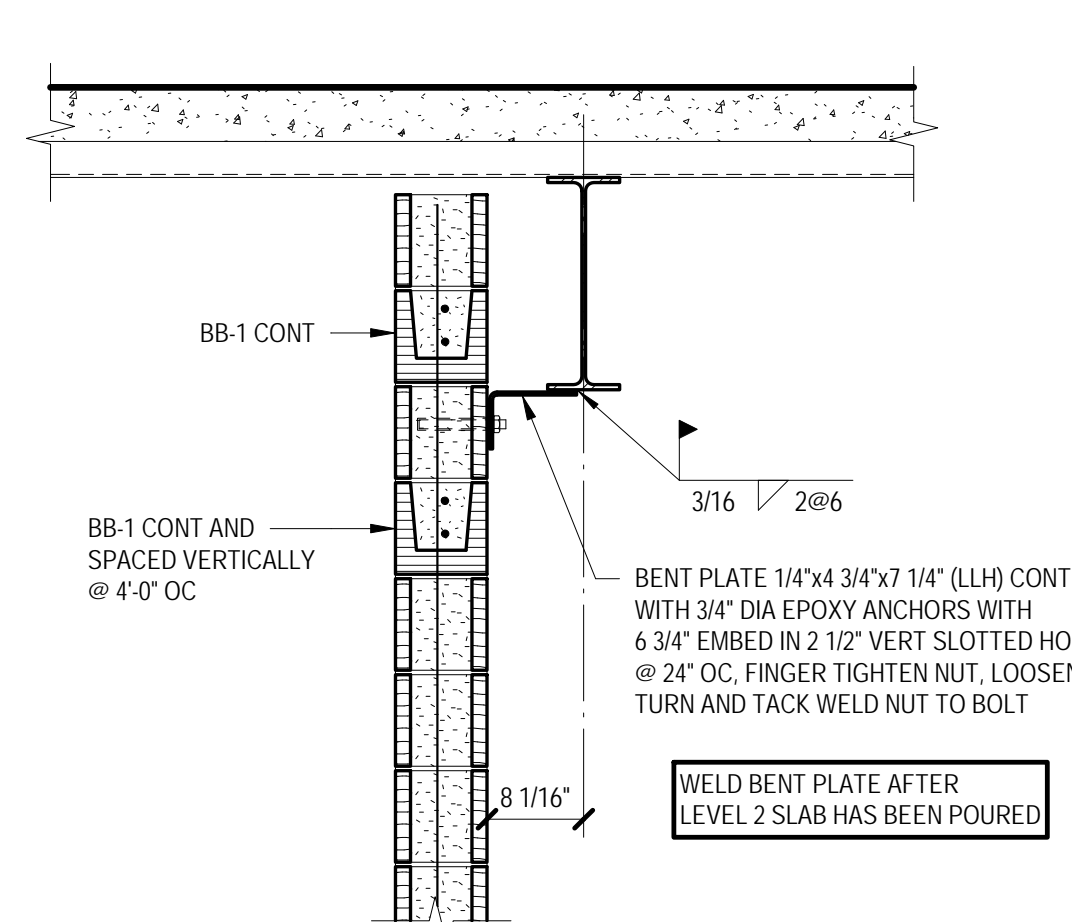


15  
3/4" - 1'-0"

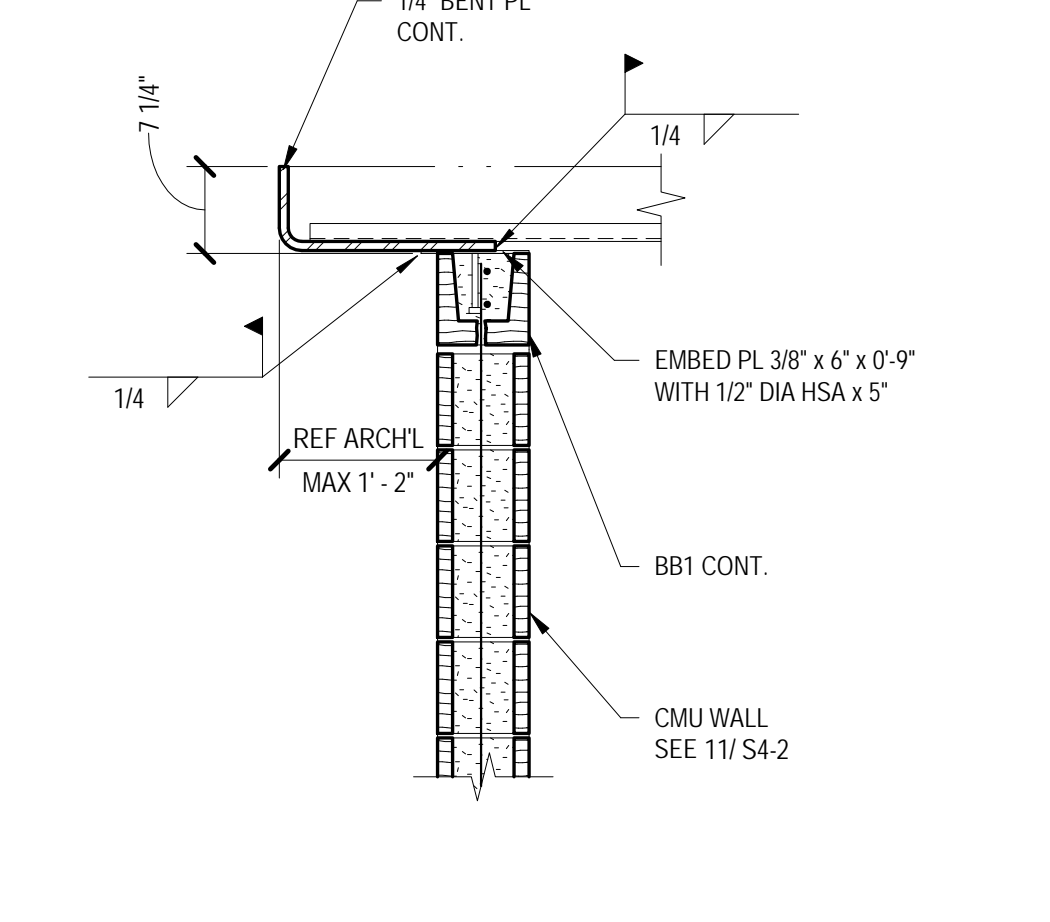
11  
1/4" - 1'-0"



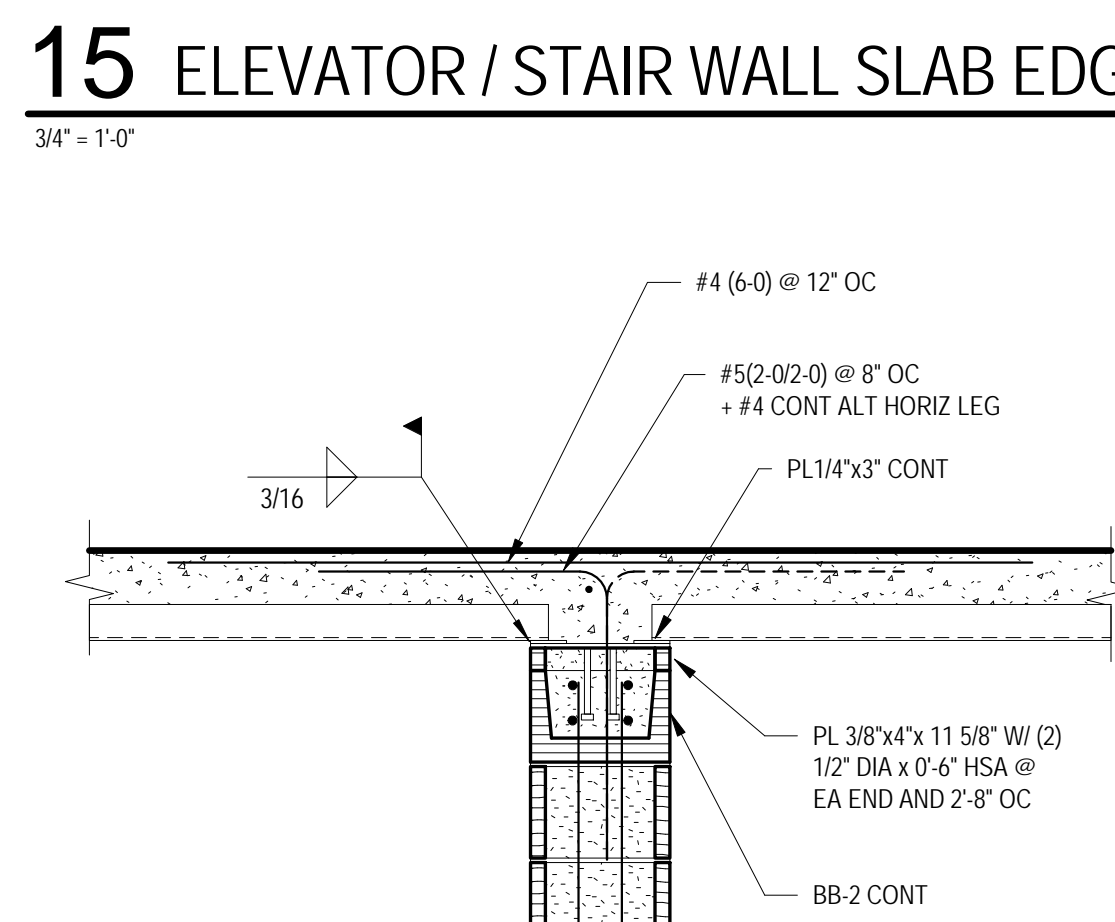
3  
3/4" - 1'-0"



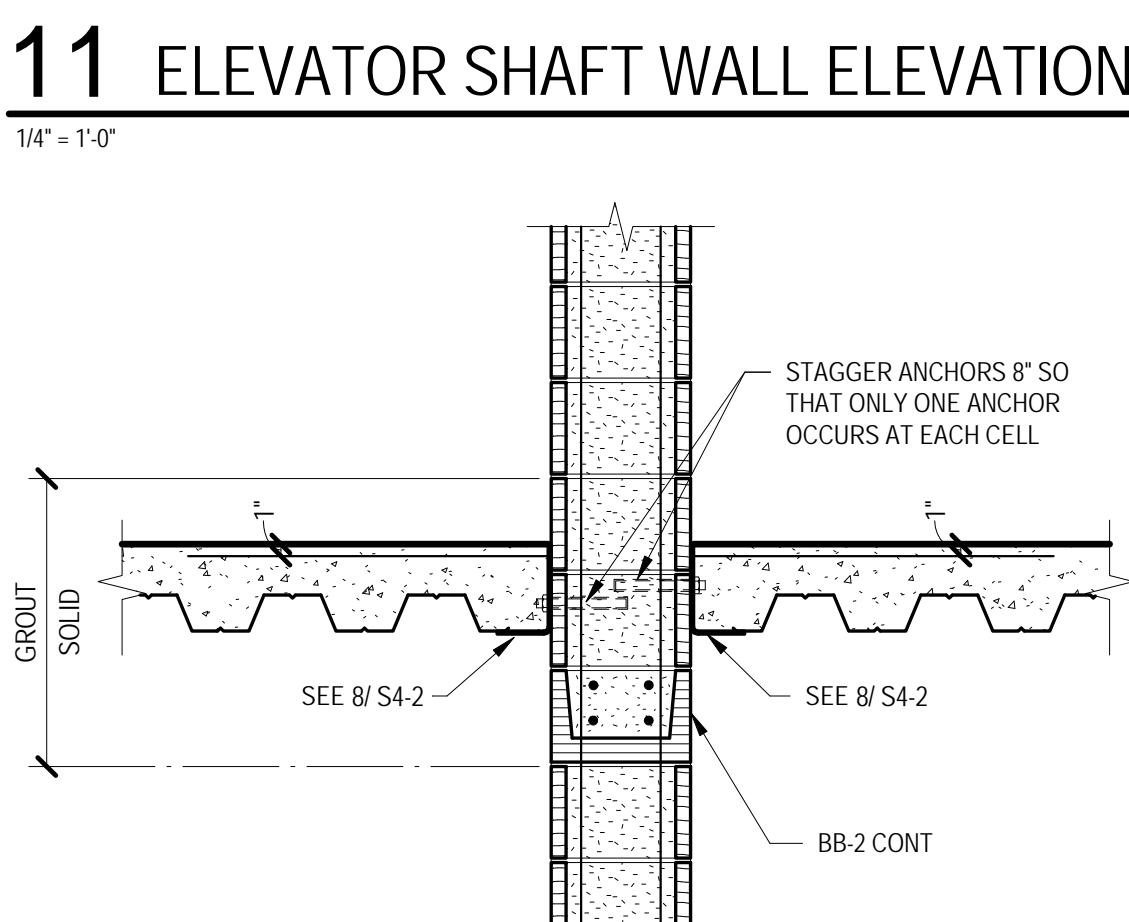
24  
3/4" - 1'-0"



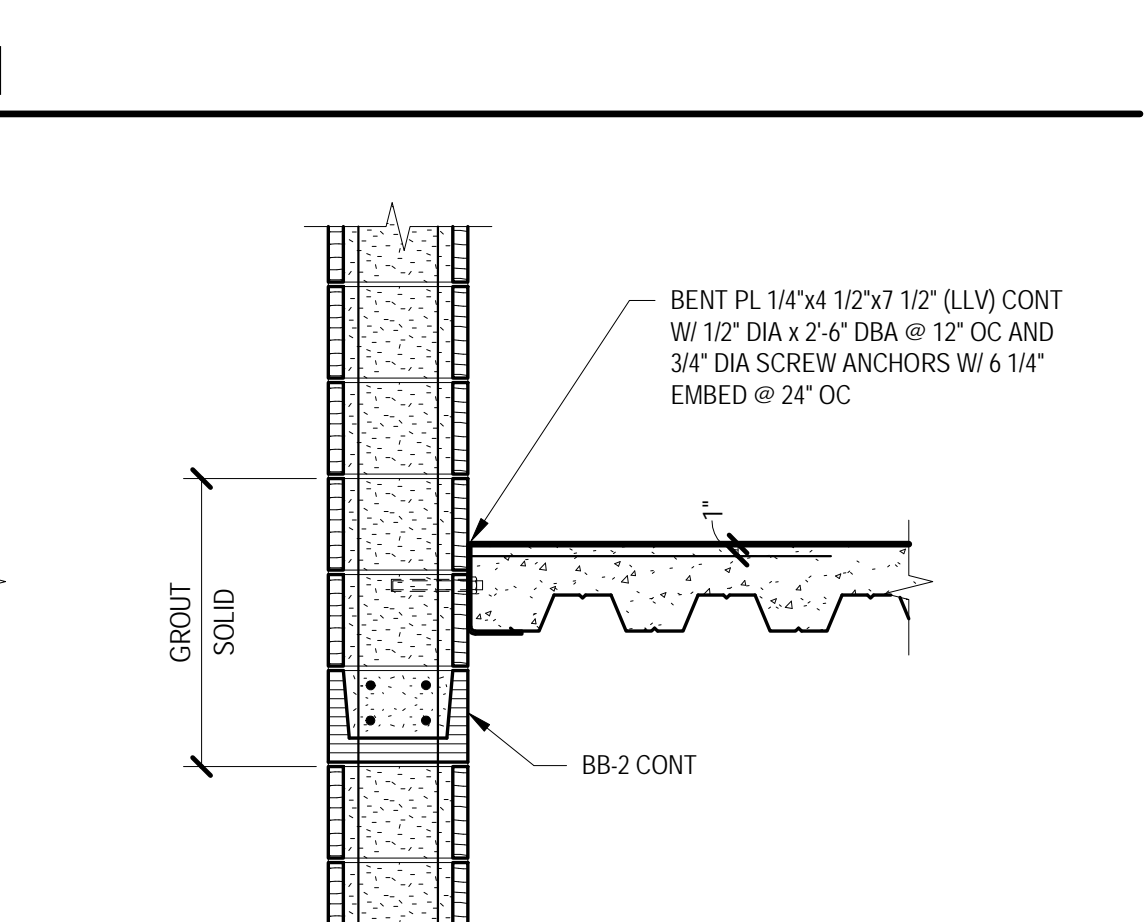
20  
3/4" - 1'-0"



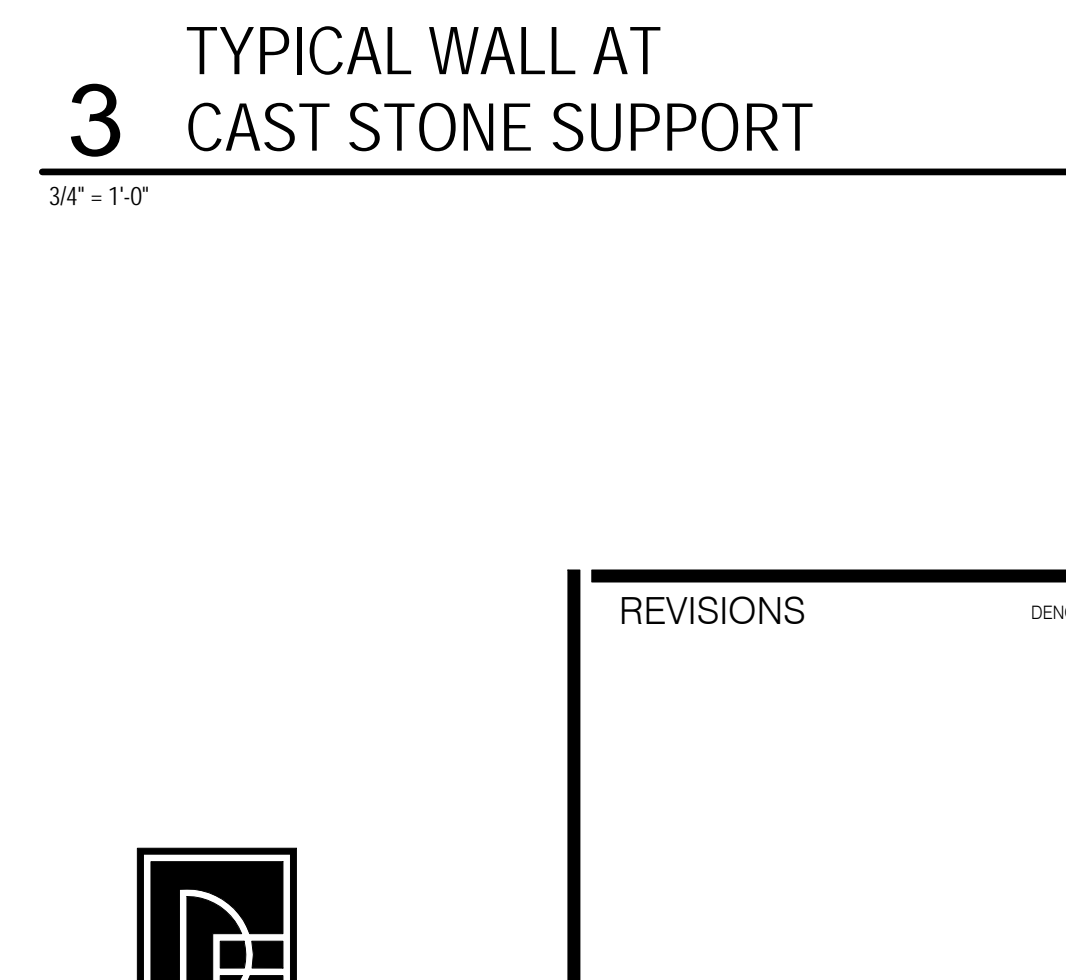
16  
3/4" - 1'-0"



12  
3/4" - 1'-0"



8  
3/4" - 1'-0"



3  
3/4" - 1'-0"

**PONCE-FUESS ENGINEERING**

3333 Lee Parkway, Suite 475 • Dallas, TX 75219  
469-310-2850 • www.ponce-fuess.com  
Project No. 16276 TX REG. # F-12125

REVISIONS	DATE	BY

**Hahnfeld Hoffer Stanford**  
architects planners interiors  
200 Bailey Ave., Suite 200  
Fort Worth, Texas 76107  
817.921.5928  
817.302.0692 fax

**CANNONDESIGN**  
1580 Wilson Boulevard, Suite 200  
Arlington, Virginia 22209  
T: 703.907.2300  
F: 703.907.2950

CONSULTANTS  
**JASTER-QUINTANILLA**  
CIVIL ENGINEER  
100 GLASS ST.  
DALLAS, TEXAS 75207  
TEL. 972.752.9098

**CAYE COOK & ASSOCIATES**  
LANDSCAPE ARCHITECT  
12700 HILLCREST RD., SUITE 149  
DALLAS, TX 75230  
TEL. 214.739.9105

**PONCE-FUESS ENGINEERING, LLC**  
STRUCTURAL ENGINEER  
3333 LEE PARKWAY, SUITE 475  
DALLAS, TEXAS 75219  
TEL. 469.310.2850

**PURDY-McGUIRE, INC.**  
MEP ENGINEER  
17300 DALLAS PARKWAY, SUITE 3000  
DALLAS, TEXAS 75248  
TEL. 972.239.5357

**RICCA DESIGN STUDIOS**  
FOOD SERVICE CONSULTANT  
5325 S VALENTIA WAY  
GREENWOOD VILLAGE, COLORADO 80111  
TEL. 303.221.0500

**LAFLEUR ASSOCIATES, LLP**  
LIGHTING CONSULTANT  
307 HIGH STREET, SUITE D  
CHESTERTOWN MARYLAND 21620  
TEL. 410.323.1420

**WJHW, INC.**  
AUDIO/VISUAL CONSULTANTS  
3424 MIDCOURT ROAD, SUITE 124  
CARROLLTON, TEXAS 75006  
TEL. 972.934.3700

**WISS, JANNEY, ELSTNER ASSOCIATES, INC.**  
BUILDING ENVELOPE CONSULTANT  
6363 N. STATE HIGHWAY 161, SUITE 550  
IRVING, TEXAS 75038  
TEL. 972.550.7777



**TEXAS WOMENS UNIVERSITY  
HUBBARD HALL  
ADDITION AND RENOVATION  
- STUDENT UNION  
DENTON, TEXAS**

PROJECT #: 16032-00 MANAGER: PFE  
ISSUED FOR: 100% CD DRAFTER: PFE  
DATE: NOVEMBER 30, 2017 CHECKED: PFE

MASONRY DETAILS

SHEET  
**S4-2**  
OF SHEETS

Copyright © 2017 Hahnfeld Hoffer Stanford