

CONSULTANTS

JASTER-QUINTANILLA  
CIVIL ENGINEER  
100 GLASS ST.  
DALLAS, TEXAS 75207  
TEL 972.752.9098

CAYE COOK & ASSOCIATES  
LANDSCAPE ARCHITECT  
12700 HILLCREST RD., SUITE 149  
DALLAS, TX 75230  
TEL 214.739.9105

PONCE-FUESS ENGINEERING, LLC  
STRUCTURAL ENGINEER  
3333 LEE PARKWAY, SUITE 475  
DALLAS, TEXAS 75219  
TEL 469.310.2850

PURDY-McGUIRE, INC.  
MEP ENGINEER  
17300 DALLAS PARKWAY, SUITE 3000  
DALLAS, TEXAS 75248  
TEL 972.239.5357

RICCA DESIGN STUDIOS  
FOOD SERVICE CONSULTANT  
5325 S VALENTIA WAY  
GREENWOOD VILLAGE, COLORADO 80111  
TEL 303.221.0500

LAFLEUR ASSOCIATES, LLP  
LIGHTING CONSULTANT  
307 HIGH STREET, SUITE D  
CHESTERTOWN MARYLAND 21620  
TEL 410.323.1420

WJHW, INC.  
AUDIO/VISUAL CONSULTANTS  
3424 MIDCOURT ROAD, SUITE 124  
CARROLLTON, TEXAS 75006  
TEL 972.934.3700

WISS, JANNEY, ELSTNER ASSOCIATES, INC.  
BUILDING ENVELOPE CONSULTANT  
6363 N. STATE HIGHWAY 161, SUITE 550  
IRVING, TEXAS 75038  
TEL 972.550.7777



Lucas G. Ponce  
11-30-2017

**TEXAS WOMENS UNIVERSITY  
HUBBARD HALL  
ADDITION AND RENOVATION  
- STUDENT UNION  
DENTON, TEXAS**

PROJECT #: 16032-00 MANAGER: PFE  
ISSUED FOR: 100% CD DRAFTER: PFE  
DATE: NOVEMBER 30, 2017 CHECKED: PFE

TYPICAL MASONRY DETAILS

SHEET

**S4-1**

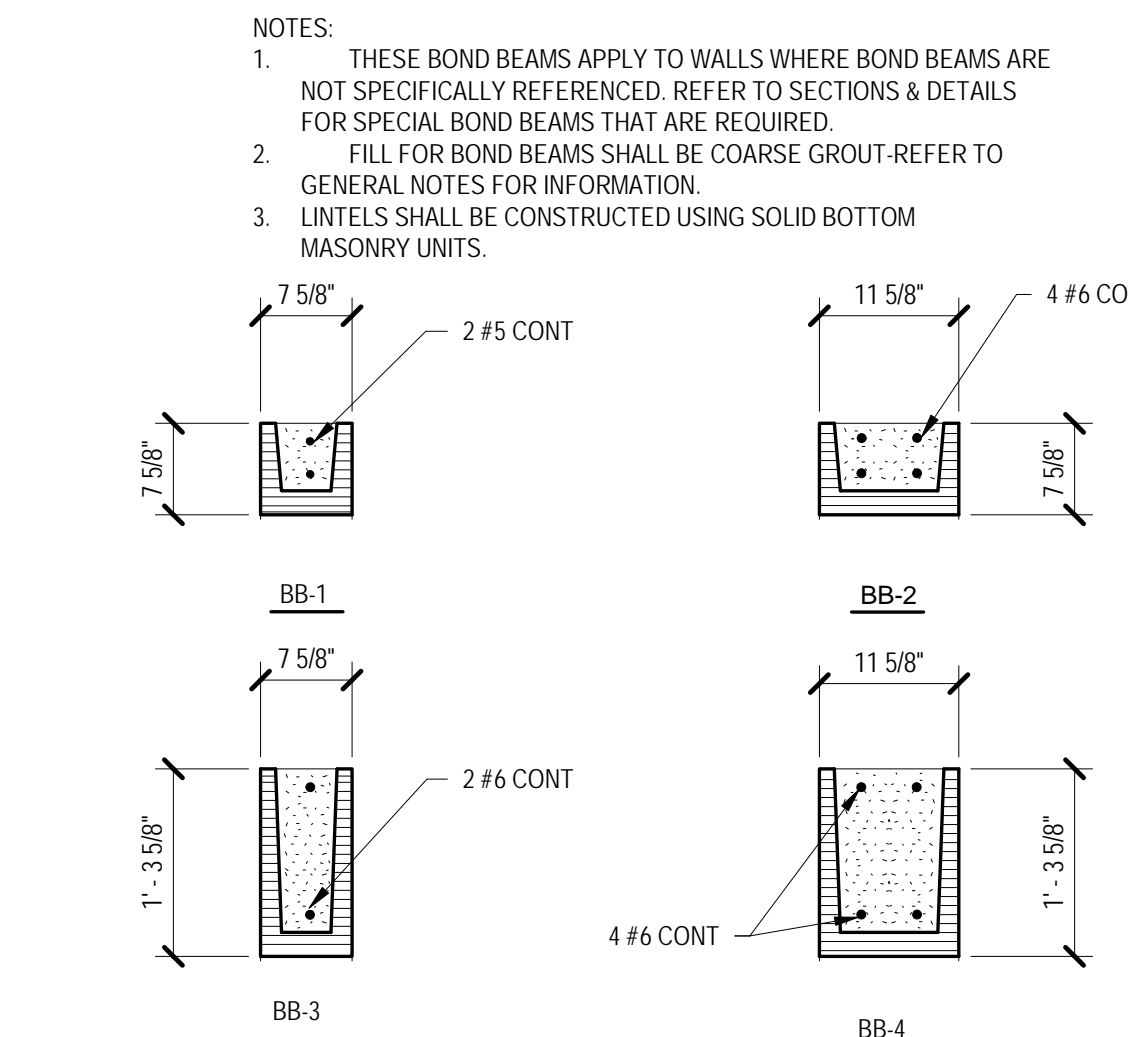
OF SHEETS

CMU LINTEL SCHEDULE TD04101				
WALL THICKNESS	MAX SPAN OR MARK	LINTEL DEPTH	TOP REINF	BOT REINF
8"	4'-0"	8"	1 #4	1 #4
8"	6'-0"	8"	1 #4	2 #4
8"	8'-0"	16"	2 #4	2 #4
8"	10'-0"	16"	2 #4	2 #4
12"	4'-0"	8"	2 #4	2 #4
12"	6'-0"	8"	2 #4	2 #5
12"	8'-0"	16"	2 #4	2 #5
12"	10'-0"	16"	2 #4	2 #5

- NOTES:
- GROUTED LINTEL (TROUGH) BLOCKS SHALL EXTEND 8" BEYOND FACE OF OPENING EACH SIDE.
  - OPENINGS WIDER THAN 6'-0" SHALL HAVE THE FIRST VERTICAL CELL EACH SIDE FILLED WITH GROUT UP TO THE LINTEL BEARING LEVEL.
  - TOP BARS SHALL BE HELD IN PLACE WITH #2 CLOSED STIRRUPS AT 24" O.C.
  - PRECAST CONCRETE LINTELS OF THE SAME SIZE AND LENGTH MAY BE SUBSTITUTED EXCEPT THAT TOP BARS SHALL BE PROVIDED EQUAL TO SCHEDULED BOTTOM BARS.
  - LINTELS SHALL BE CONSTRUCTED USING SOLID BOTTOM MASONRY UNITS.

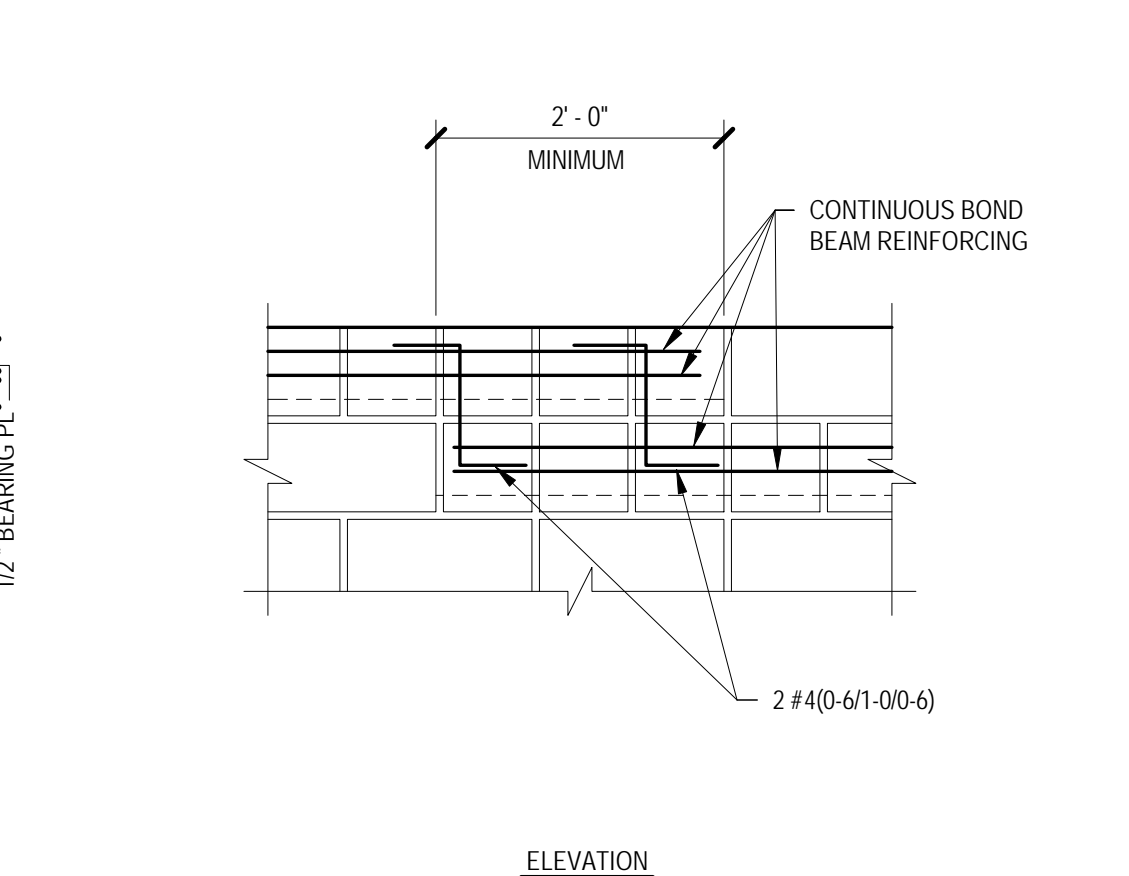
**1 TYPICAL DETAIL**

NO SCALE TD04101



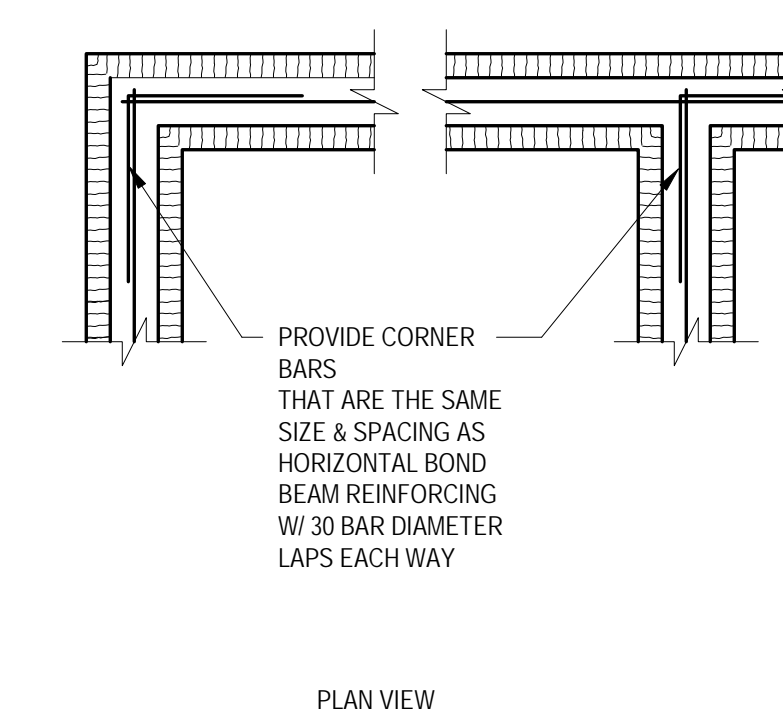
**2 MASONRY BOND BEAMS TD04102**

3/4" - 1'-0"



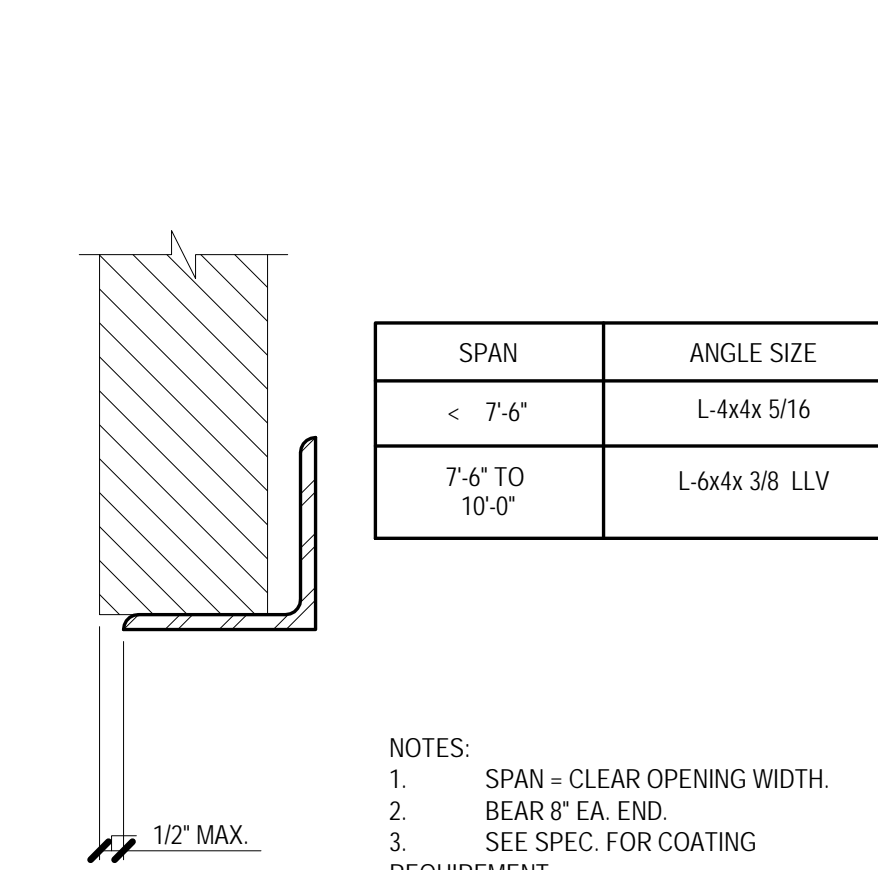
**3 STEP IN BOND BEAM TYPICAL DETAIL**

NO SCALE TD04103



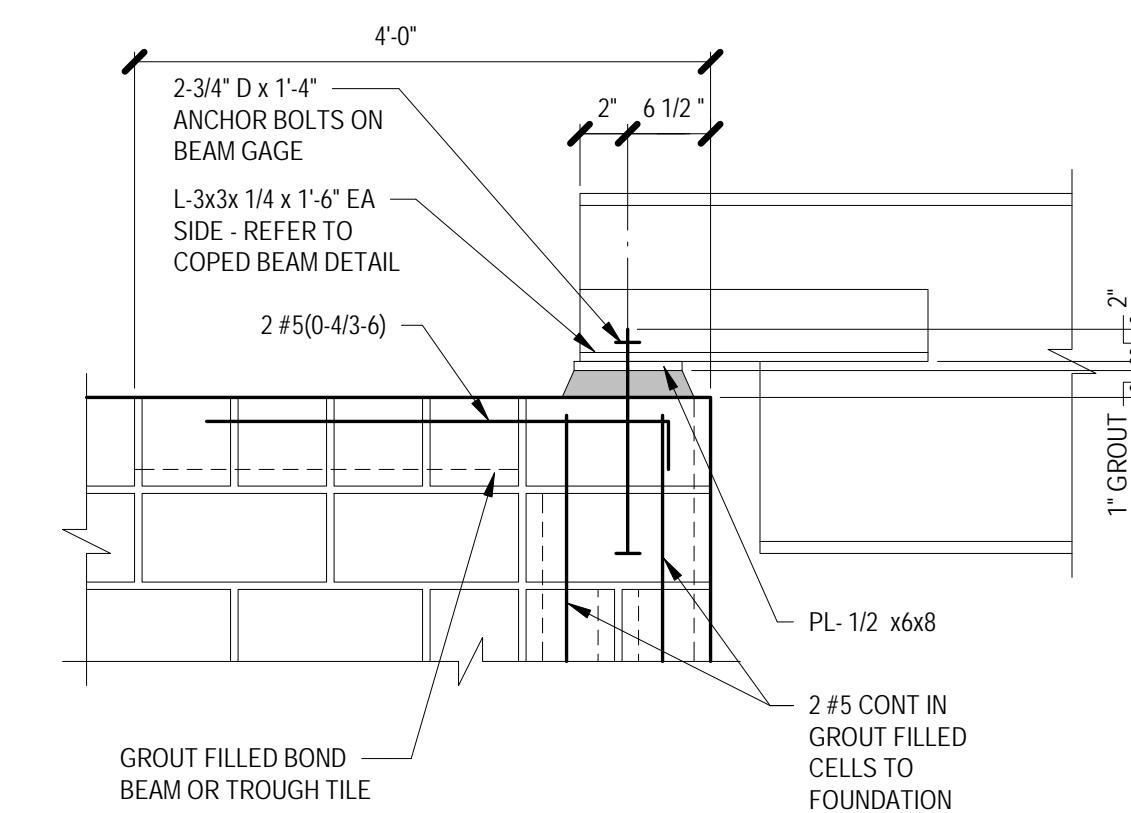
**5 BOND BEAM INTERSECTIONS TYPICAL DETAIL**

NO SCALE TD04104



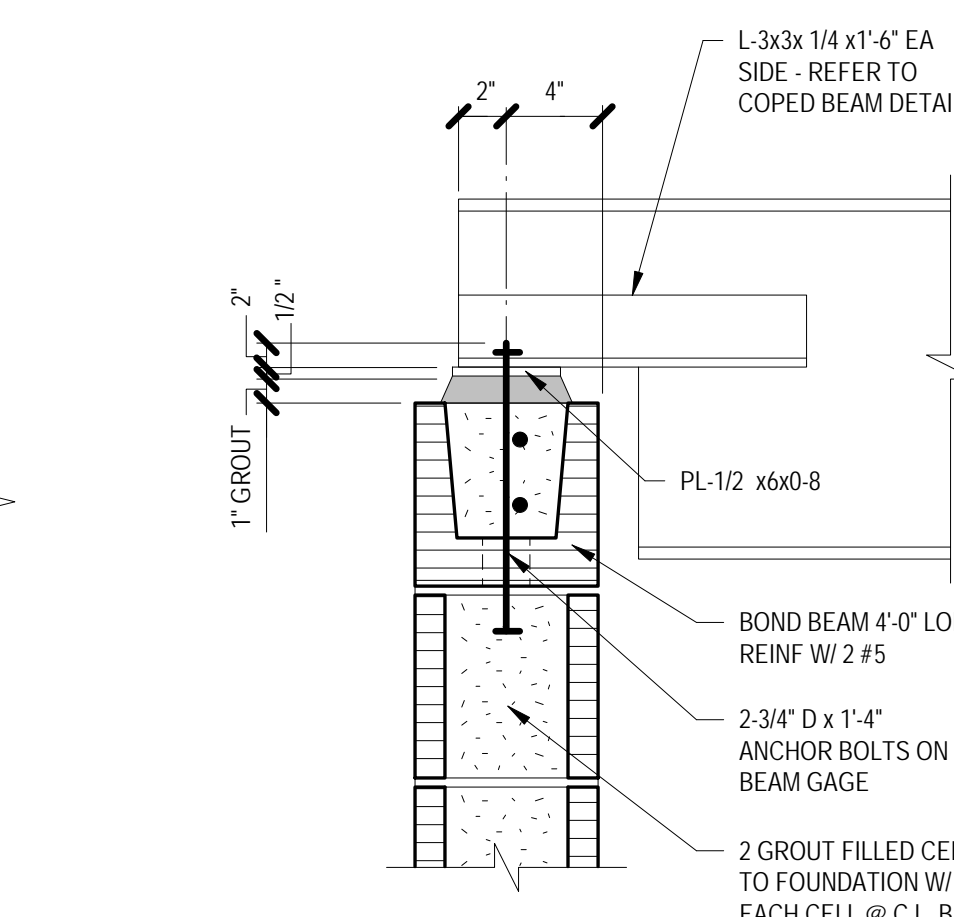
**6 LOOSE LINTEL SCHEDULE TYPICAL DETAIL**

NO SCALE TD04110



**7 BEAM CONNECTION TYPICAL DETAIL**

NO SCALE TD04150



**8 BEAM BEARING SEAT TYPICAL DETAIL**

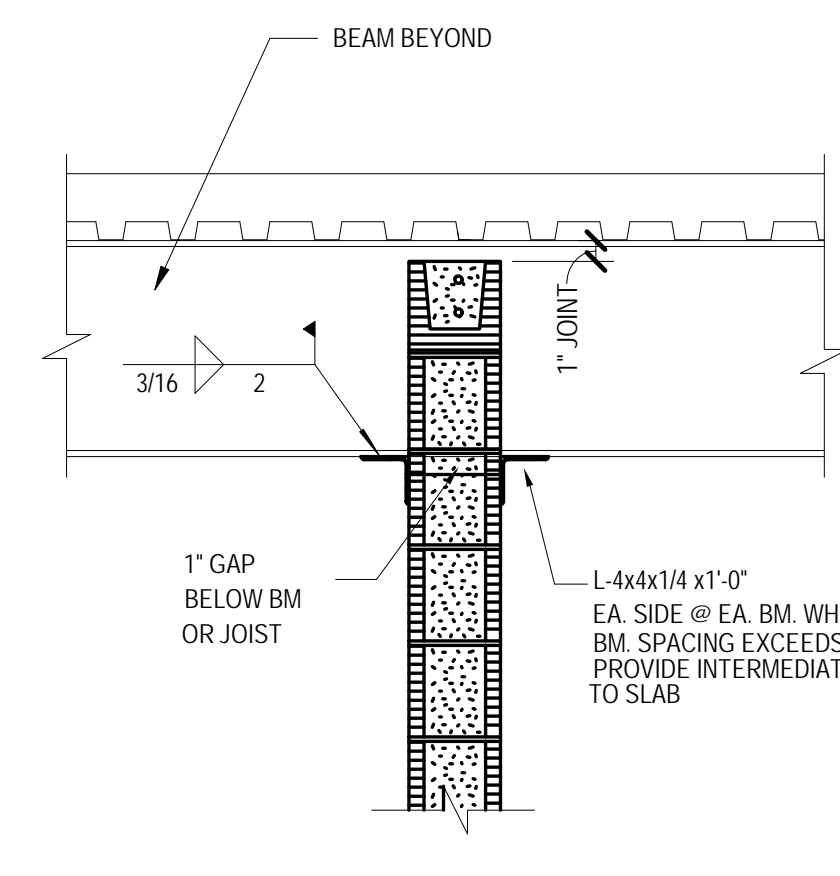
NO SCALE TD04151



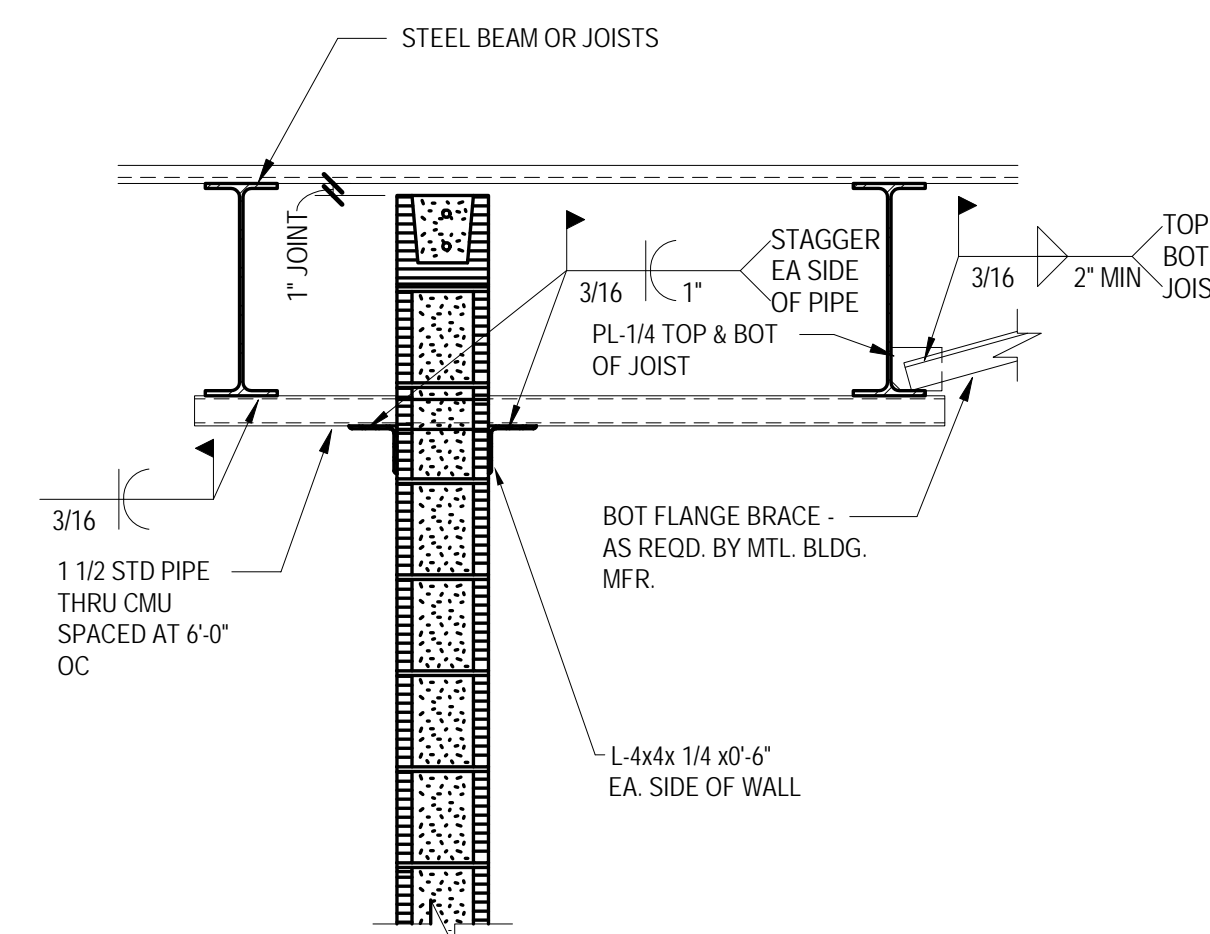
**PONCE - FUESS**  
ENGINEERING

3333 Lee Parkway, Suite 475 • Dallas, TX 75219  
469-310-2850 • www.ponce-fuess.com  
Project No. 16276 TX REG. # F-12125

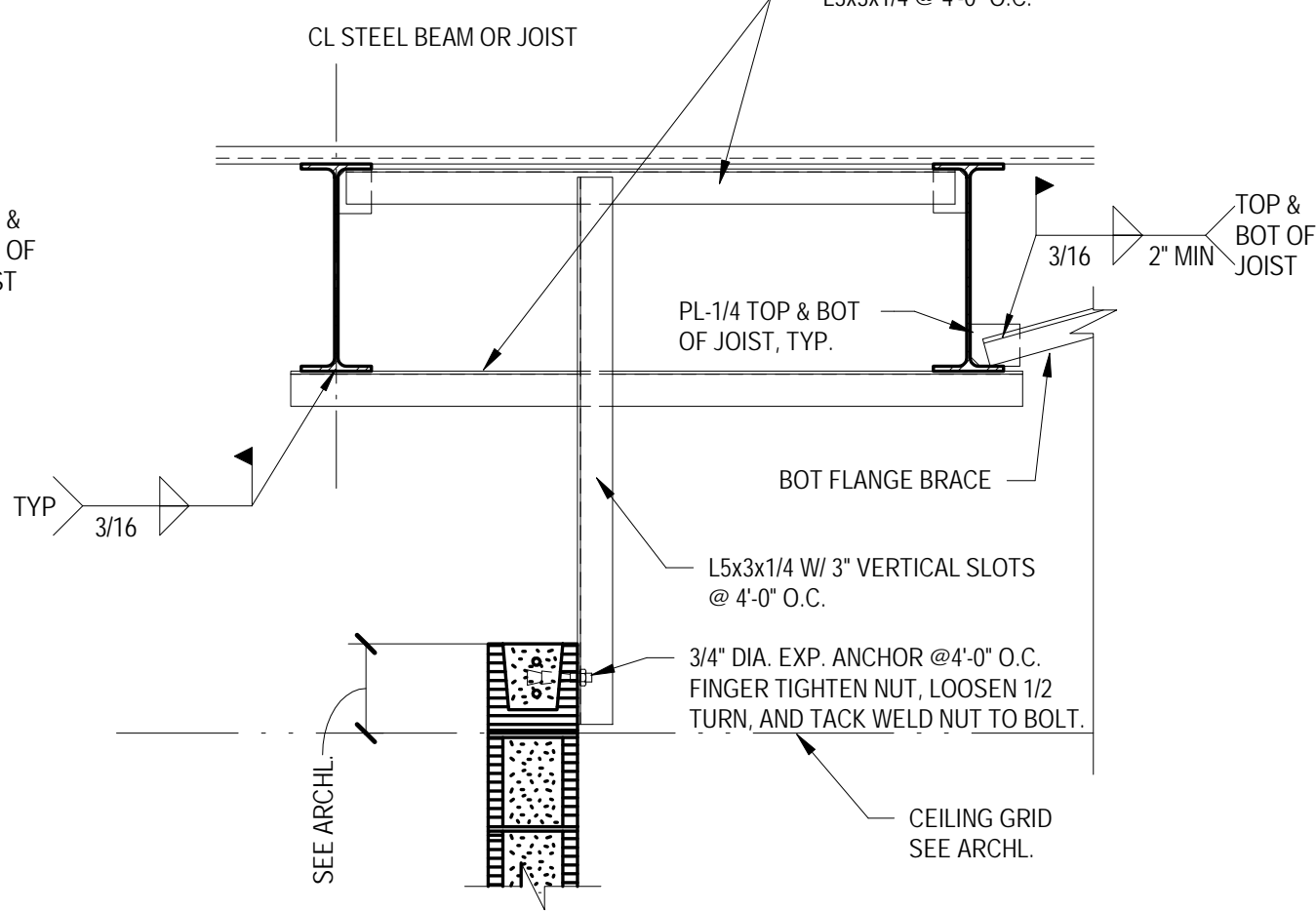
- MASONRY WALL BRACING NOTES:
- CLEAR GAPS INDICATED BETWEEN TOP OF WALLS AND STRUCTURE ARE TO BE FILLED (COMPRESSIBLE FILLER, ETC.) AS INDICATED ON ARCHITECTURAL DRAWINGS.
  - WHERE WALLS ARE ORIENTED SKEWED TO FRAMING, USE PARALLEL AND PERPENDICULAR DETAILS IN COMBINATION TO PROVIDE BRACING CONNECTIONS AT MAXIMUM SPACING INDICATED.
  - AT FREE ENDS OF WALLS, LOCATE FIRST BRACE WITHIN 5 FT OF END OF WALL.
  - CORNERS AND TEES WITH MINIMUM 5 FT LONG INTERSECTING WALLS CAN BE CONSIDERED BRACED POINTS. HORIZONTAL RUNS OF WALL 10 FT LONG AND LESS WITH INTERSECTIONS ON BOTH ENDS DO NOT REQUIRE BRACING.
  - REFER TO ARCHITECTURAL DRAWINGS FOR LAYOUT AND DEFINITION OF WALLS THAT EXTEND TO DECK.



**WALL EXTENDING TO DECK PERPENDICULAR TO BEAMS OR JOISTS**



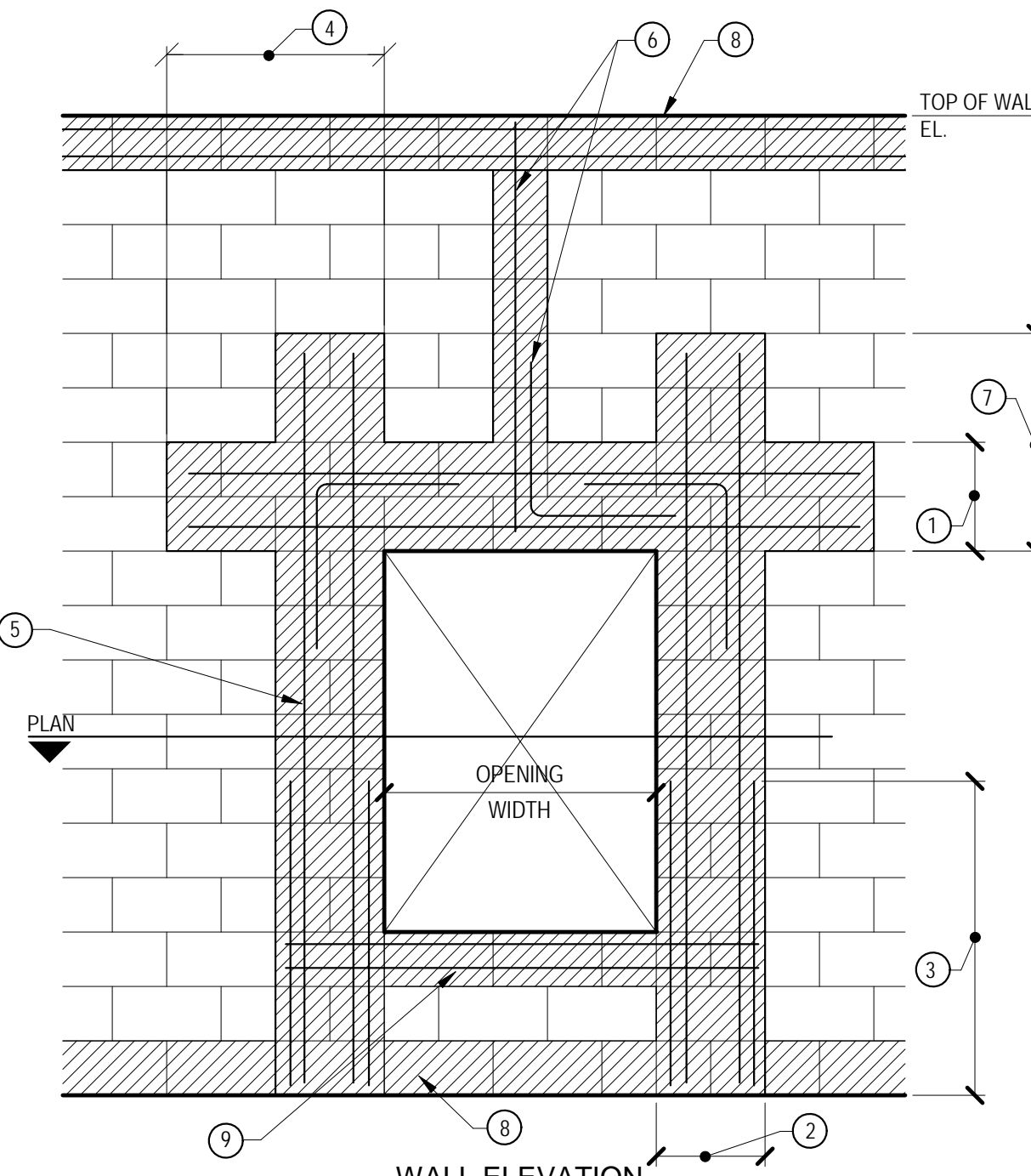
**WALL EXTENDING TO DECK PARALLEL TO BEAMS OR JOISTS**



**WALL EXTENDING ABOVE CEILING**

WALL ELEVATION NOTES

- FOR OPENINGS NOT WIDER THAN 10'-0" SEE CMU LINTEL SCHEDULE FOR DETAILS.
  - FOR OPENINGS WIDER THAN 10'-0", PROVIDE 32" DEEP LINTEL WITH (2) # 6 CONTINUOUS TOP AND BOTTOM.
- FOR TYPE 1, 2 AND 3 OPENINGS SEE CMU JAMB REINFORCING SCHEDULE FOR INFORMATION.
  - FOR TYPE 4 OPENINGS, LINTEL SHALL SPAN ACROSS BOTH OPENINGS. INTERMEDIATE CMU WALL BETWEEN OPENINGS SHALL BE FULLY GROUTED WITH (2) # 5 EACH CELL FOR 12" BLOCK AND (1) # 5 EACH CELL FOR 8" BLOCK.
  - FOR TYPE 2 & 3 OPENINGS AT PERPENDICULAR WALL, PROVIDE 48" JAMB WITH (1)#5 EACH CELL FOR 8" BLOCK AND (2)#5 EACH CELL FOR 12" BLOCK.
- SEE CMU REINFORCING LAP SPICE SCHEDULE FOR LAP LENGTH.
- FOR TYPE 1 OPENING WIDER THAN 6'-0", EXTEND LINTEL 24" BEYOND FACE OF OPENING.
  - FOR TYPE 2 AND TYPE 3 OPENINGS WIDER THAN 6'-0", EXTEND LINTEL INTO 48" JAMB SHOWN AND NOTED ON PLAN.
  - FOR TYPE 4 OPENING, LINTEL SHALL SPAN ACROSS BOTH OPENINGS.
- FOR TYPE 2 AND TYPE 3 OPENINGS OR OPENINGS WIDER THAN 6'-0", BOND BEAM REINFORCING TO BE TIED TOGETHER WITH JAMB REINFORCING USING CORNER BARS. CORNER BAR SIZES SHALL MATCH TYPICAL WALL REINFORCING. PROVIDE 30 BAR DIAMETER LAPS EACH WAY.
- WHERE OPENINGS INTERSECT WITH TYPICAL WALL REINFORCING, BOND BEAM REINFORCING TO BE TIED TOGETHER WITH TYPICAL WALL REINFORCING USING CORNER BARS. CORNER BAR SIZES SHALL MATCH TYPICAL WALL REINFORCING. PROVIDE 30 BAR DIAMETER LAP EACH WAY.
- FOR OPENING AT EXTERIOR WALL, EXTEND JAMB REINFORCING TO TOP OF WALL.
  - FOR OPENING AT INTERIOR WALL, TERMINATE JAMB REINFORCING AT TOP OF LINTEL.
  - FOR TYPE 2 OPENING, EXTEND JAMB REINFORCING TO TOP OF WALL.
- SEE RELATED WALL SECTIONS AND DETAILS FOR SIZE AND LOCATION OF BOND BEAMS.
- FOR WALL OPENING NOT WIDER THAN 8'-0":  
-PROVIDE BB-1 CONT. FOR 8" CMU.  
-PROVIDE BB-2 CONT. FOR 12" CMU.
  - FOR WALL OPENING NOT WIDER THAN 10'-0":  
-PROVIDE BB-3 CONT. FOR 8" CMU.  
-PROVIDE BB-4 CONT. FOR 12" CMU.

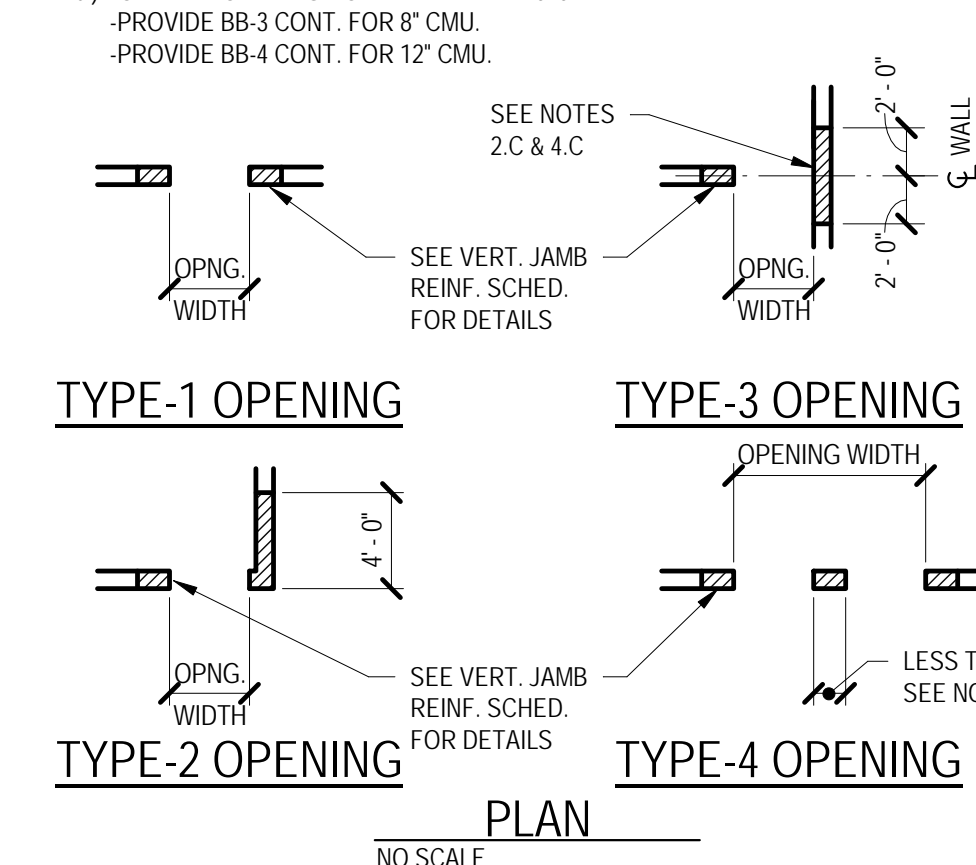


WALL ELEVATION

NO SCALE

CMU WALL LAP SPICE SCHEDULE		
BAR SIZE	LAP LENGTH	
#4	2'-2"	
#5	2'-8"	
#6	5'-0"	

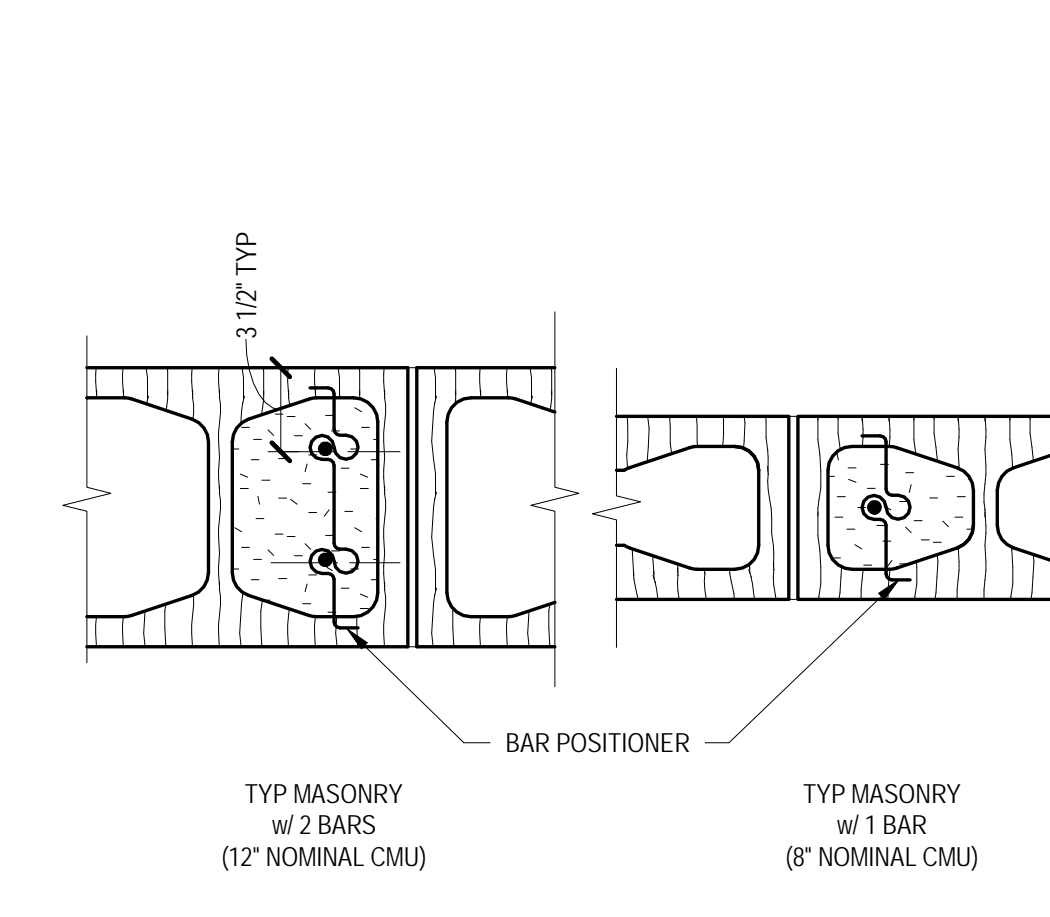
CMU JAMB REINF. SCHEDULE				
OPENING WIDTH	WALL THICKNESS	JAMB WIDTH	JAMB REINF.	NOTES
6'-0"	8"	16"	1 #5 EA. CELL	2, 4, 5, & 7
8'-0"	8"	24"	1 #5 EA. CELL	2, 4, 5, & 7
10'-0"	8"	24"	1 #5 EA. CELL	2, 4, 5, & 7
6'-0"	12"	16"	2 #5 EA. CELL	2, 4, 5, & 7
8'-0"	12"	16"	2 #5 EA. CELL	2, 4, 5, & 7
10'-0"	12"	24"	2 #5 EA. CELL	2, 4, 5, & 7
12'-0"	12"	48"	2 #5 EA. CELL	2, 4, 5, & 7



**CMU VERTICAL REINF SCHEDULE**

**15 TYPICAL DETAIL**

NO SCALE



**MASONRY BAR LAYOUT TYPICAL DETAIL**

NO SCALE

**BEAM BEARING SEAT TYPICAL DETAIL**

NO SCALE TD04151

Project No. 16276 TX REG. # F-12125