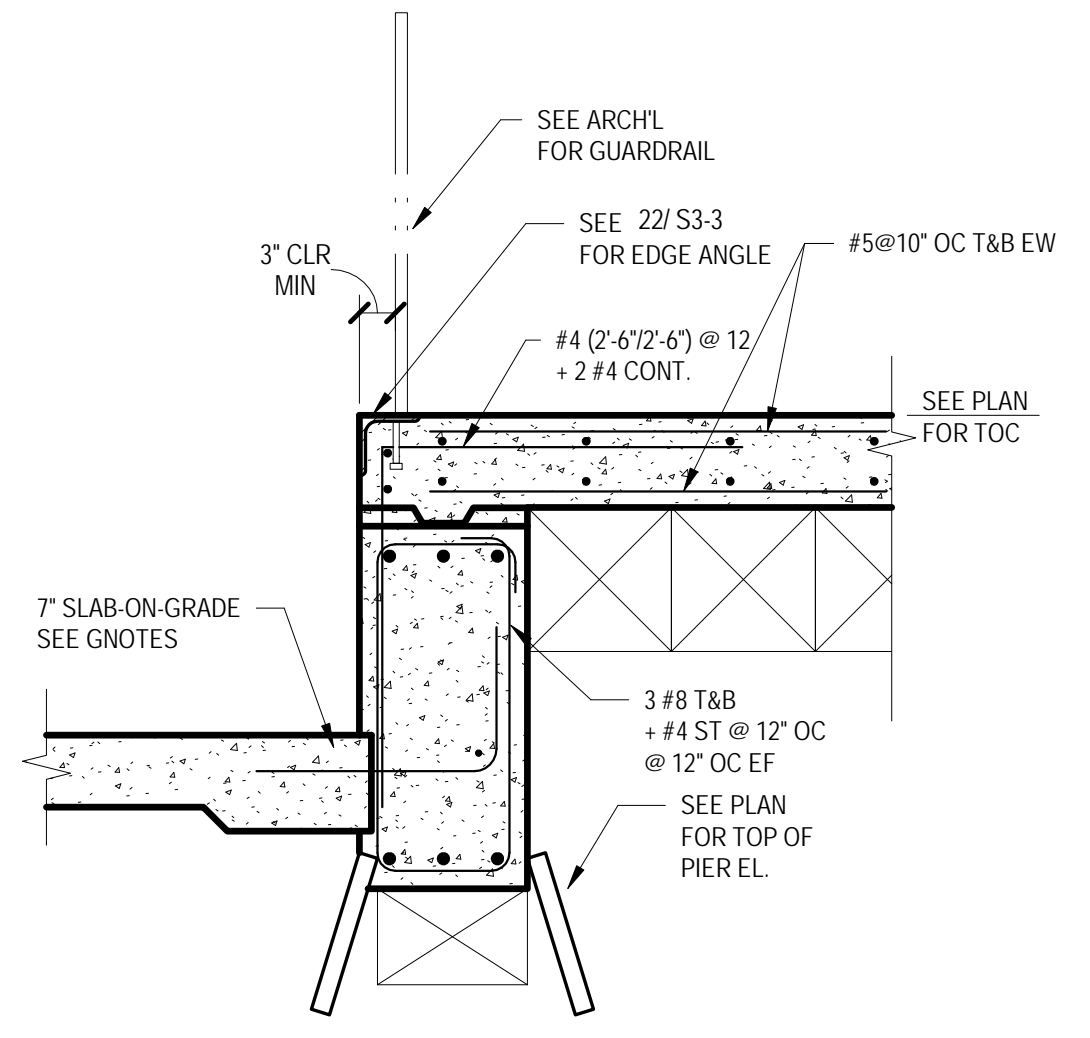
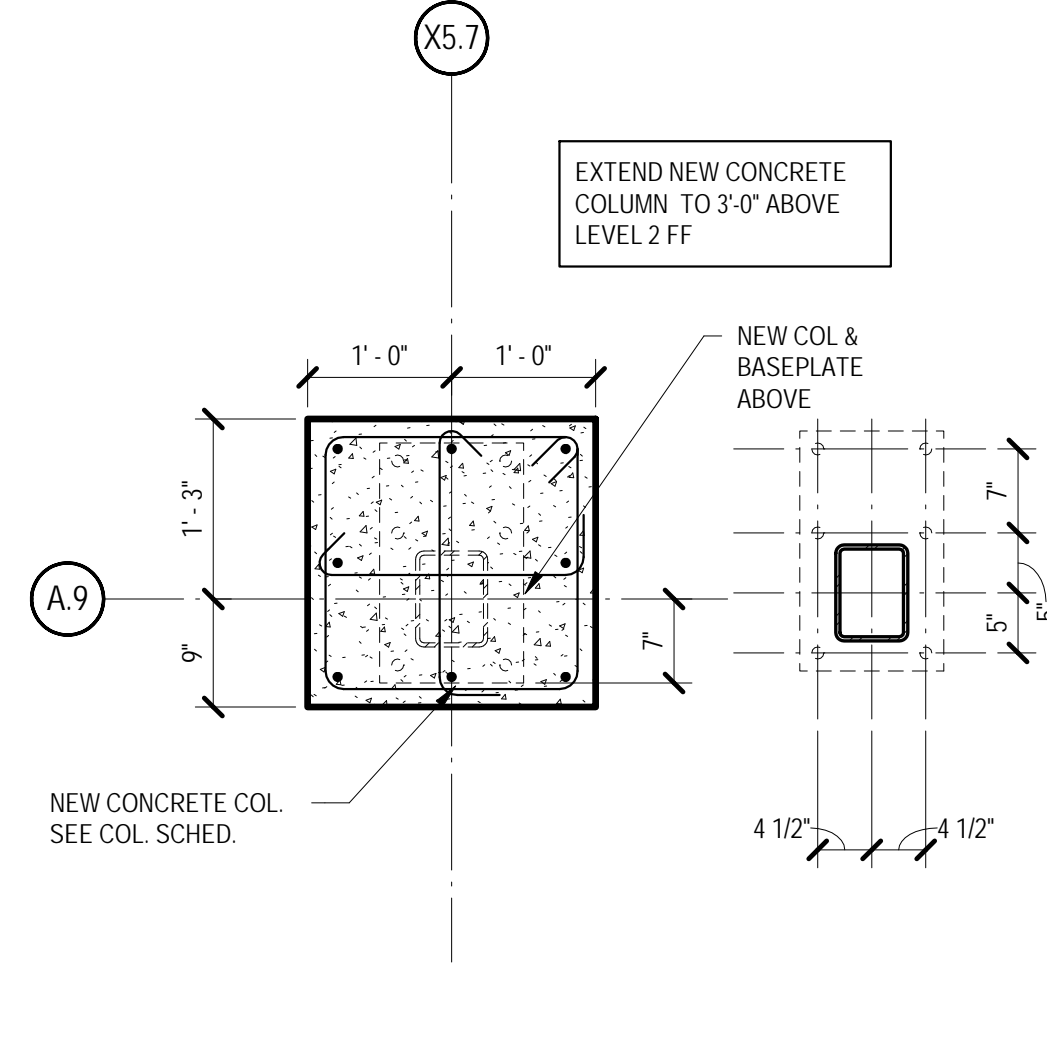


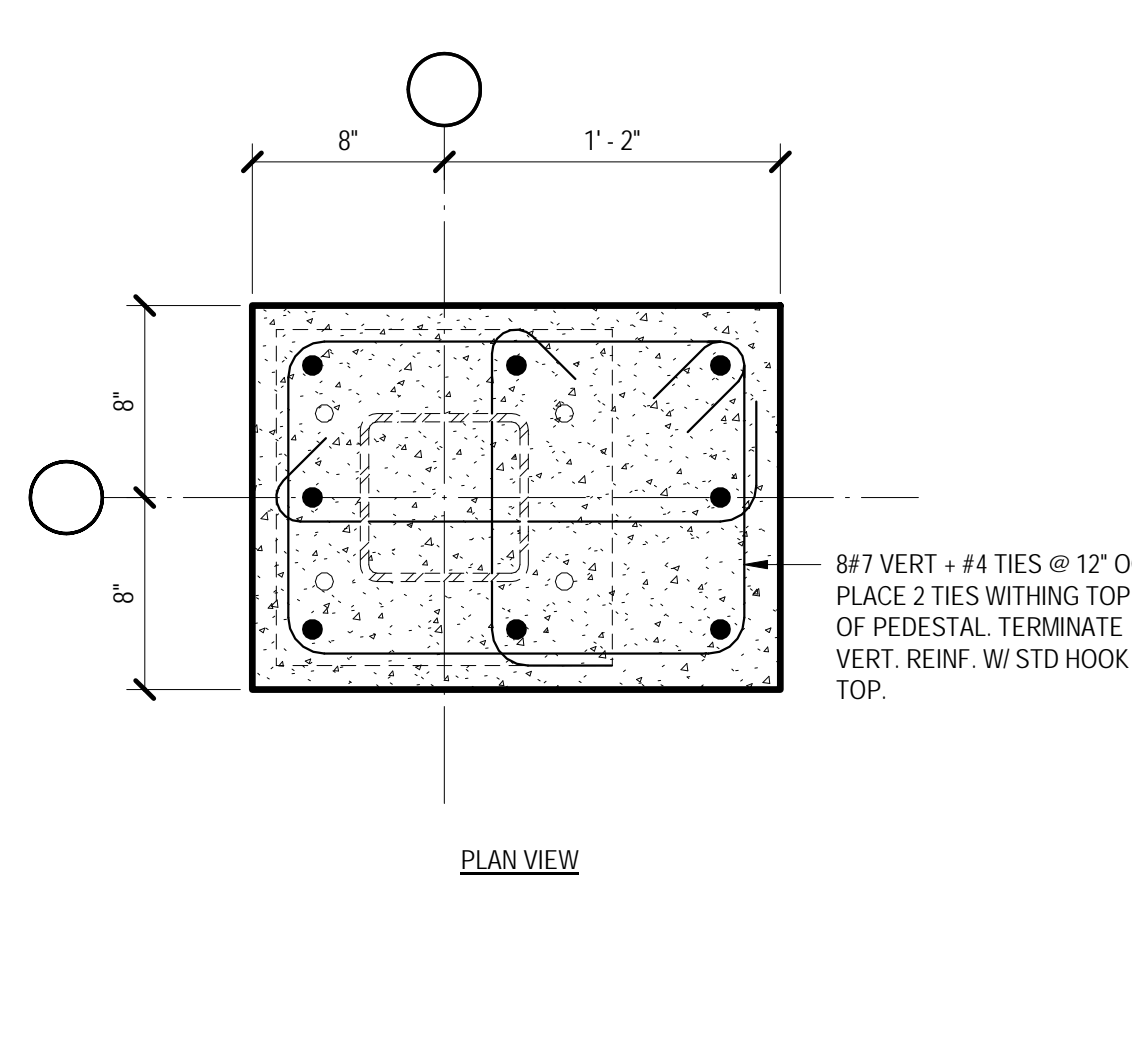
19  
3/4" = 1'-0"



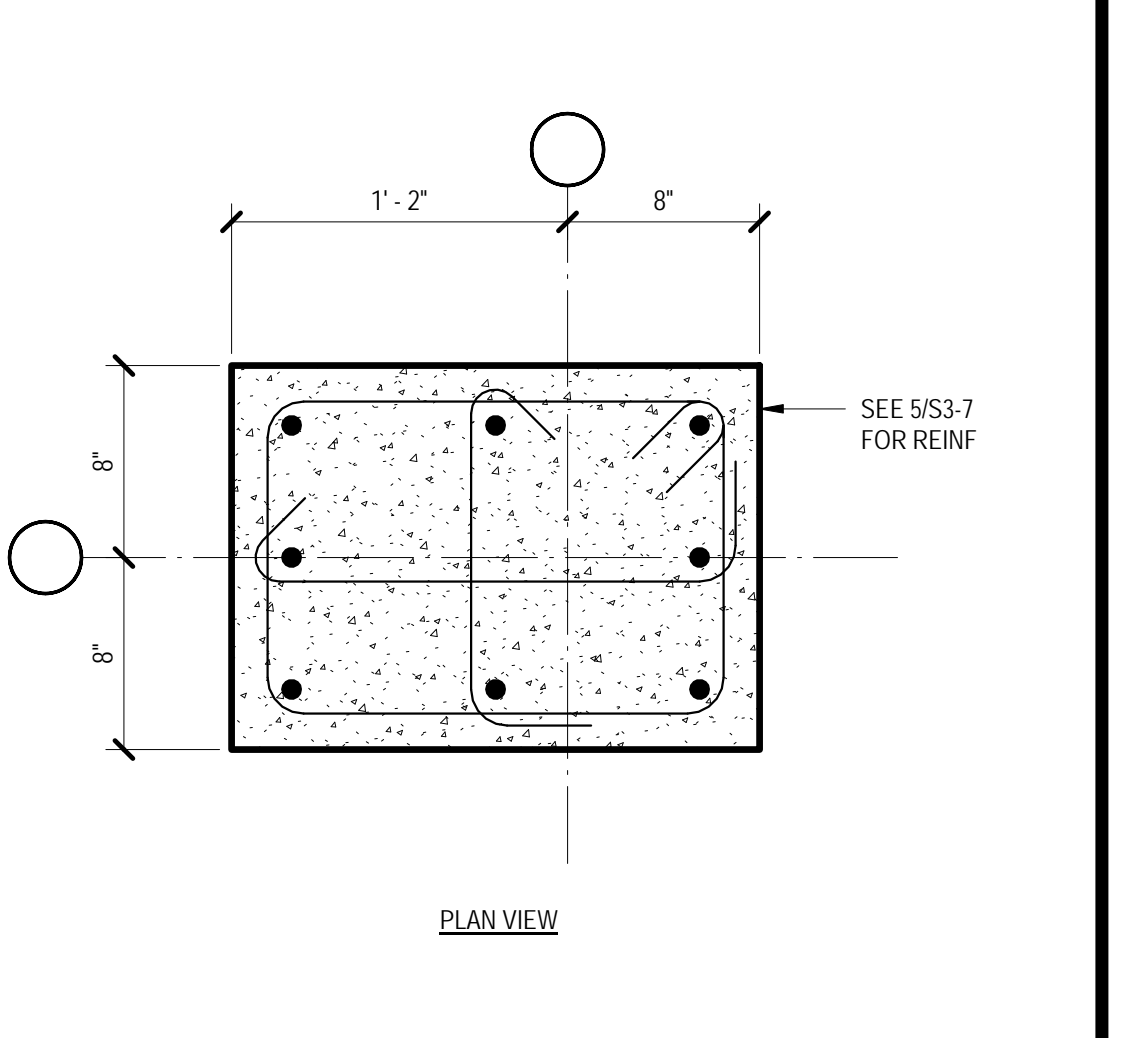
13  
3/4" = 1'-0"



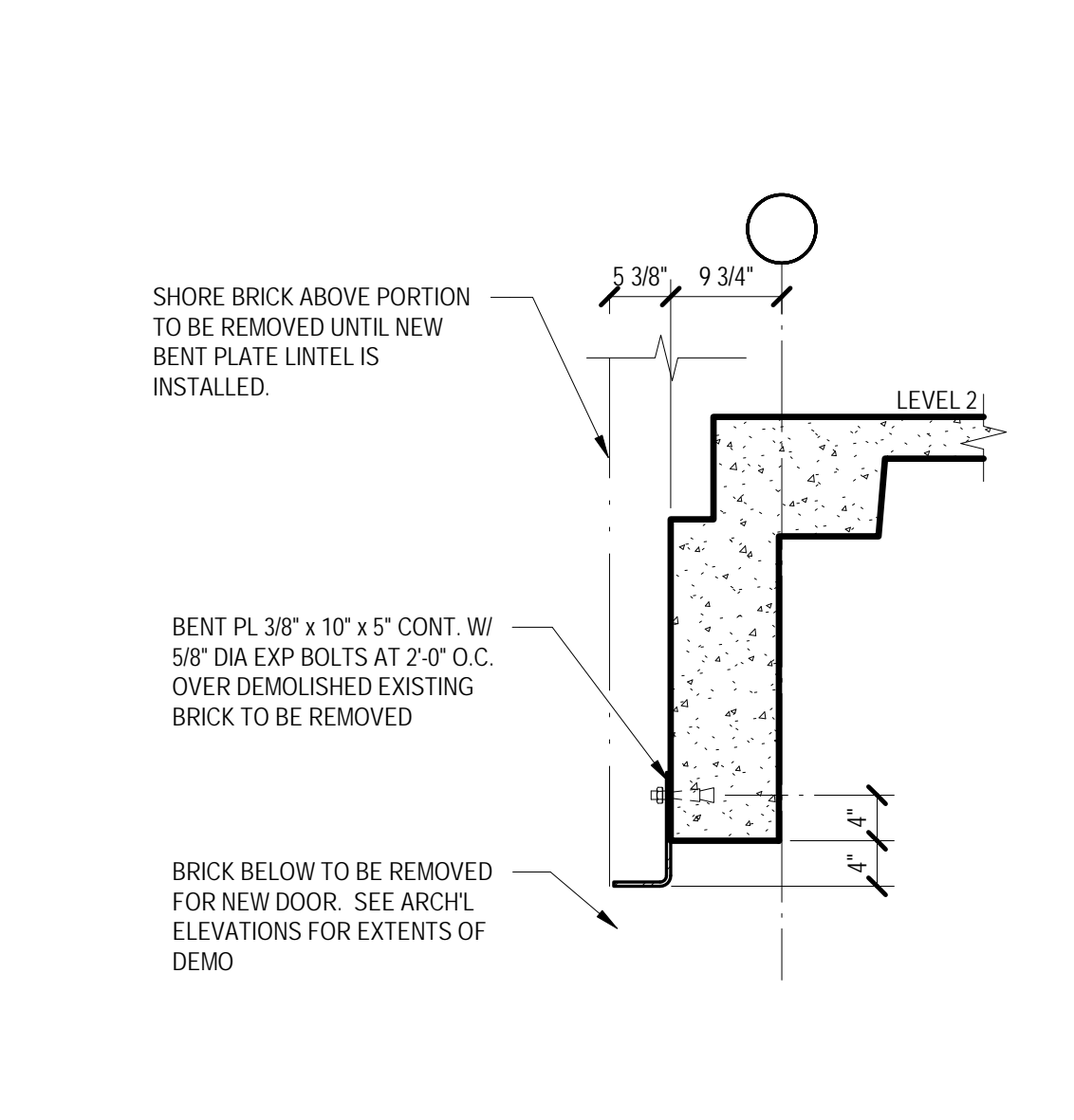
9  
3/4" = 1'-0"



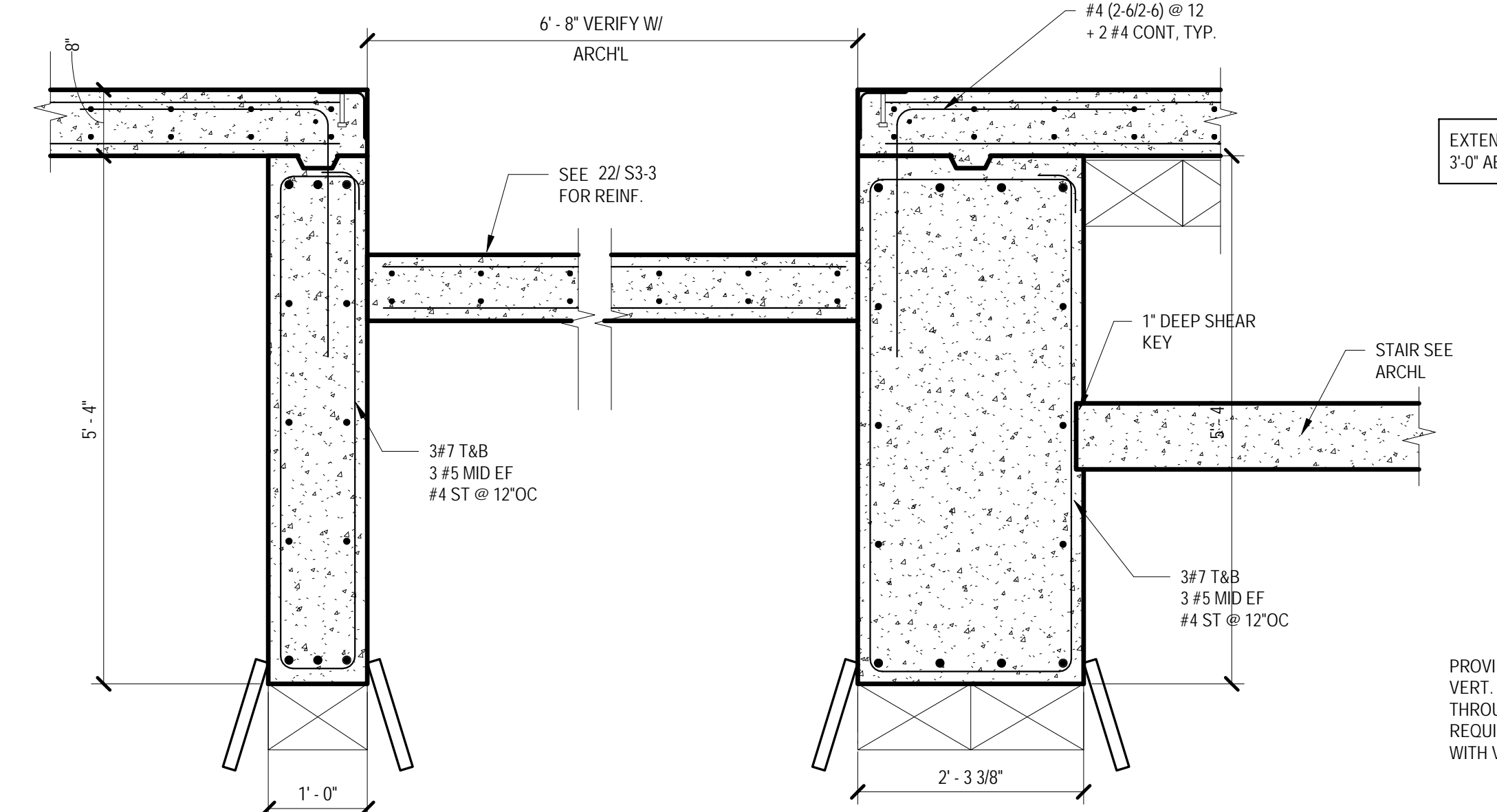
5  
1 1/2" = 1'-0"



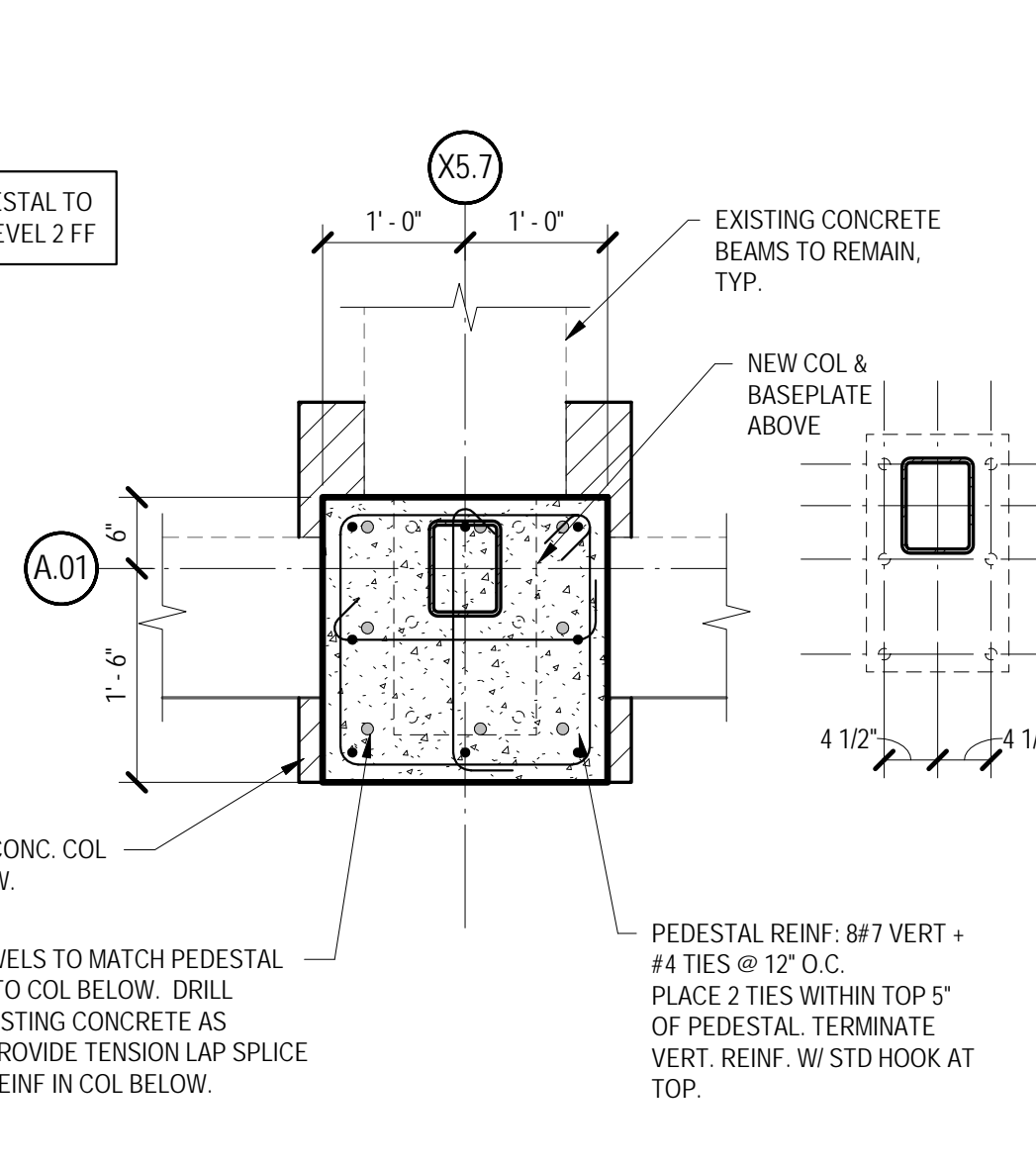
1  
1 1/2" = 1'-0"



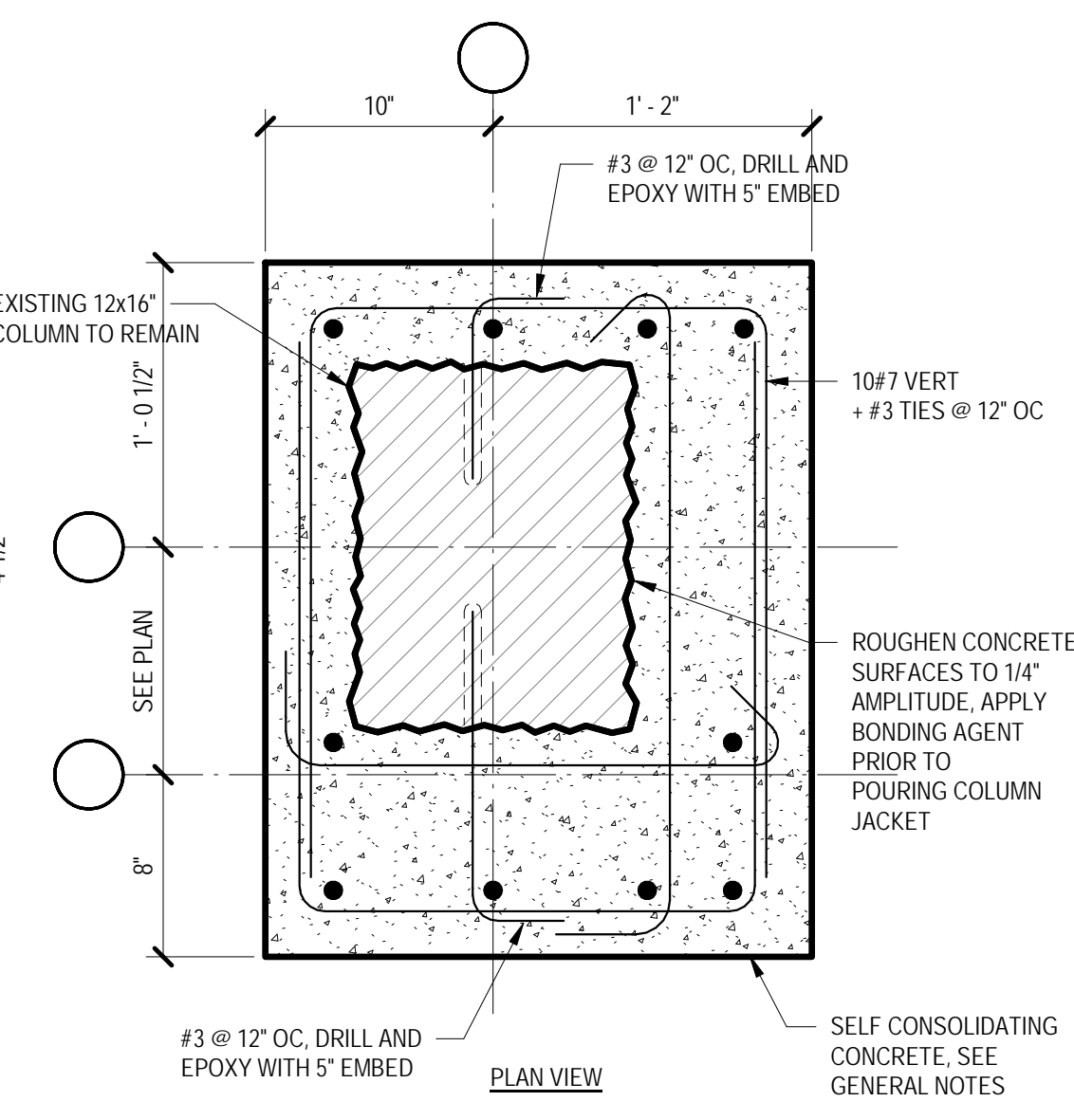
21  
3/4" = 1'-0"



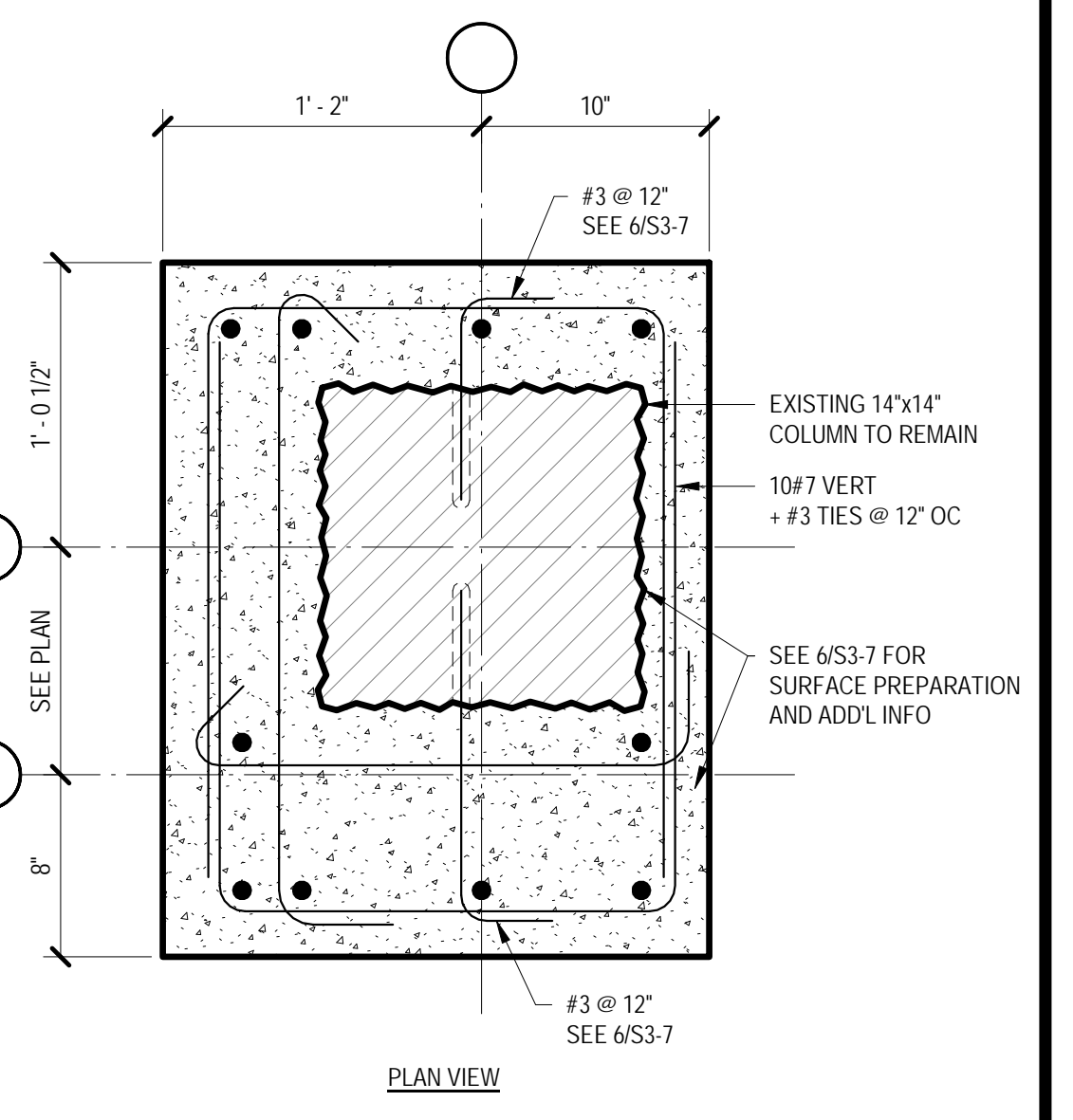
18  
3/4" = 1'-0"



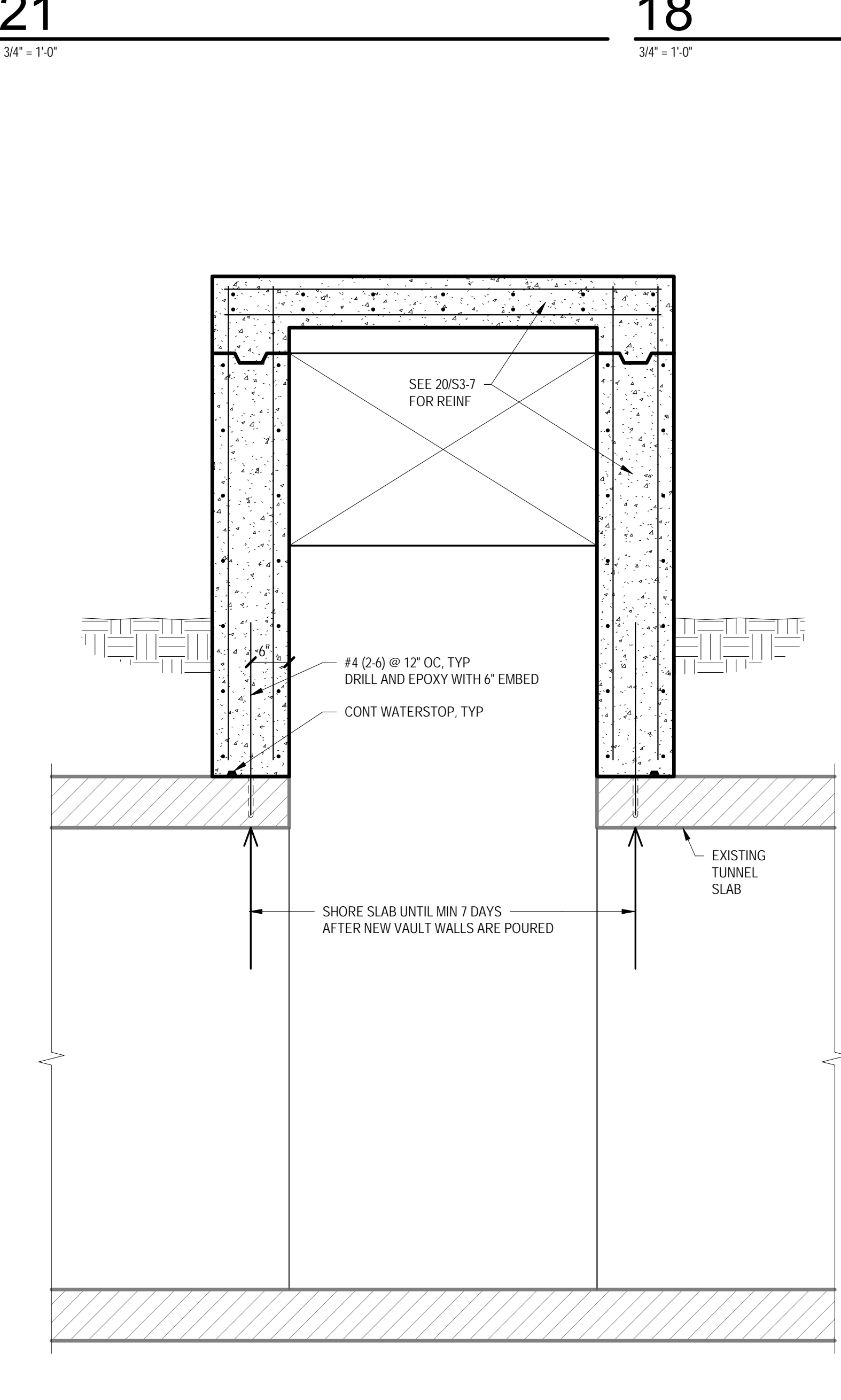
10  
3/4" = 1'-0"



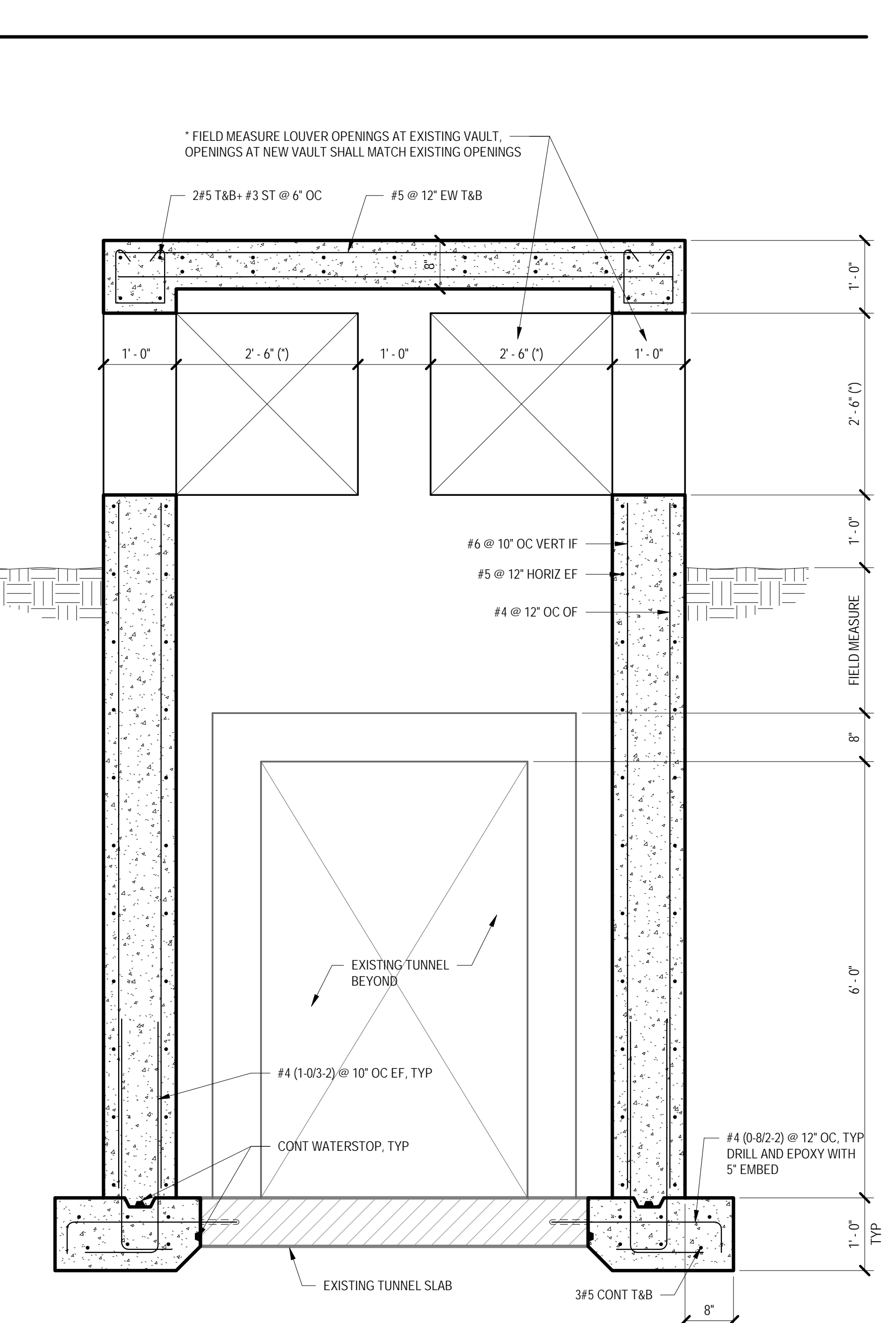
6  
1 1/2" = 1'-0"



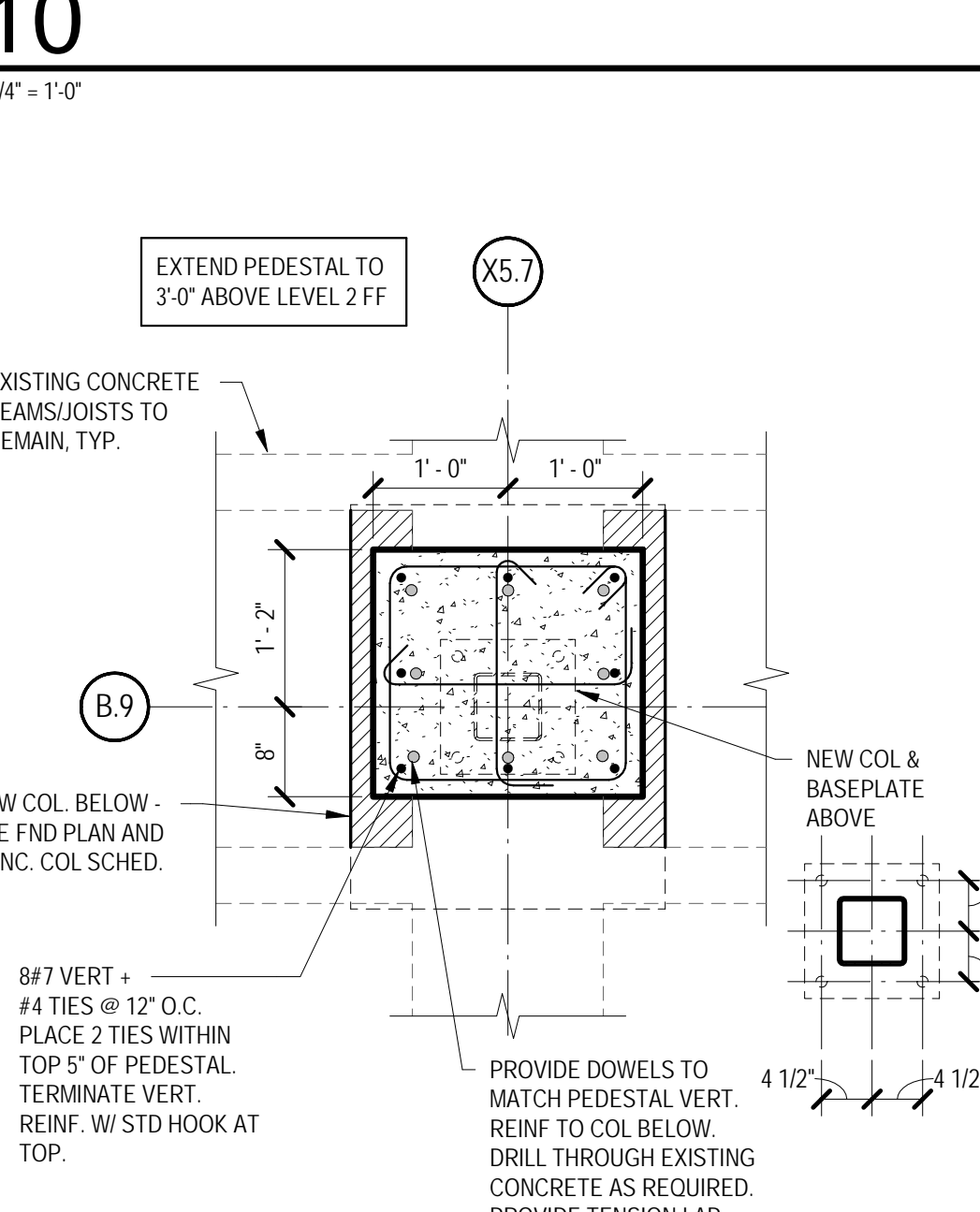
2  
1 1/2" = 1'-0"



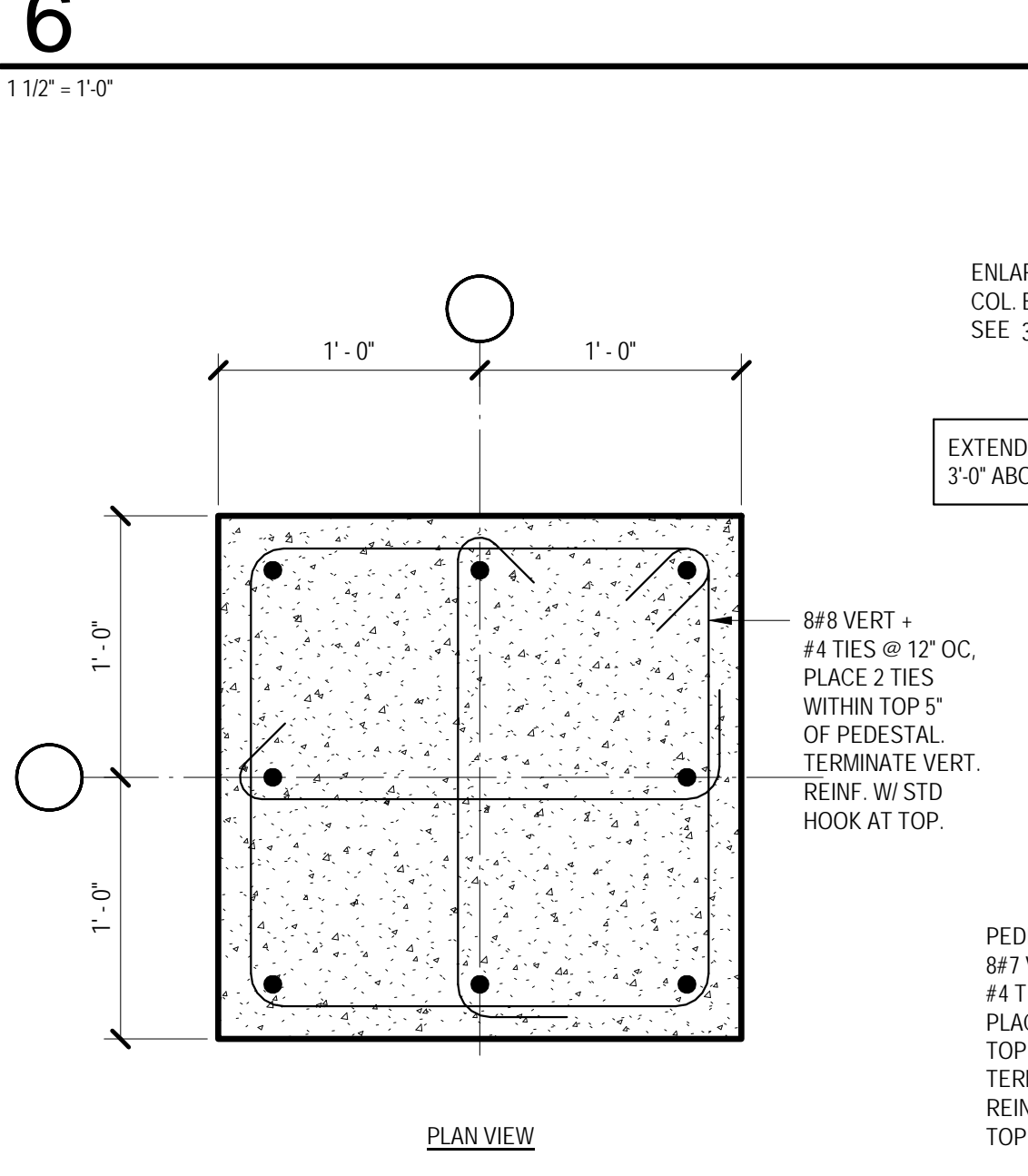
24  
3/4" = 1'-0"



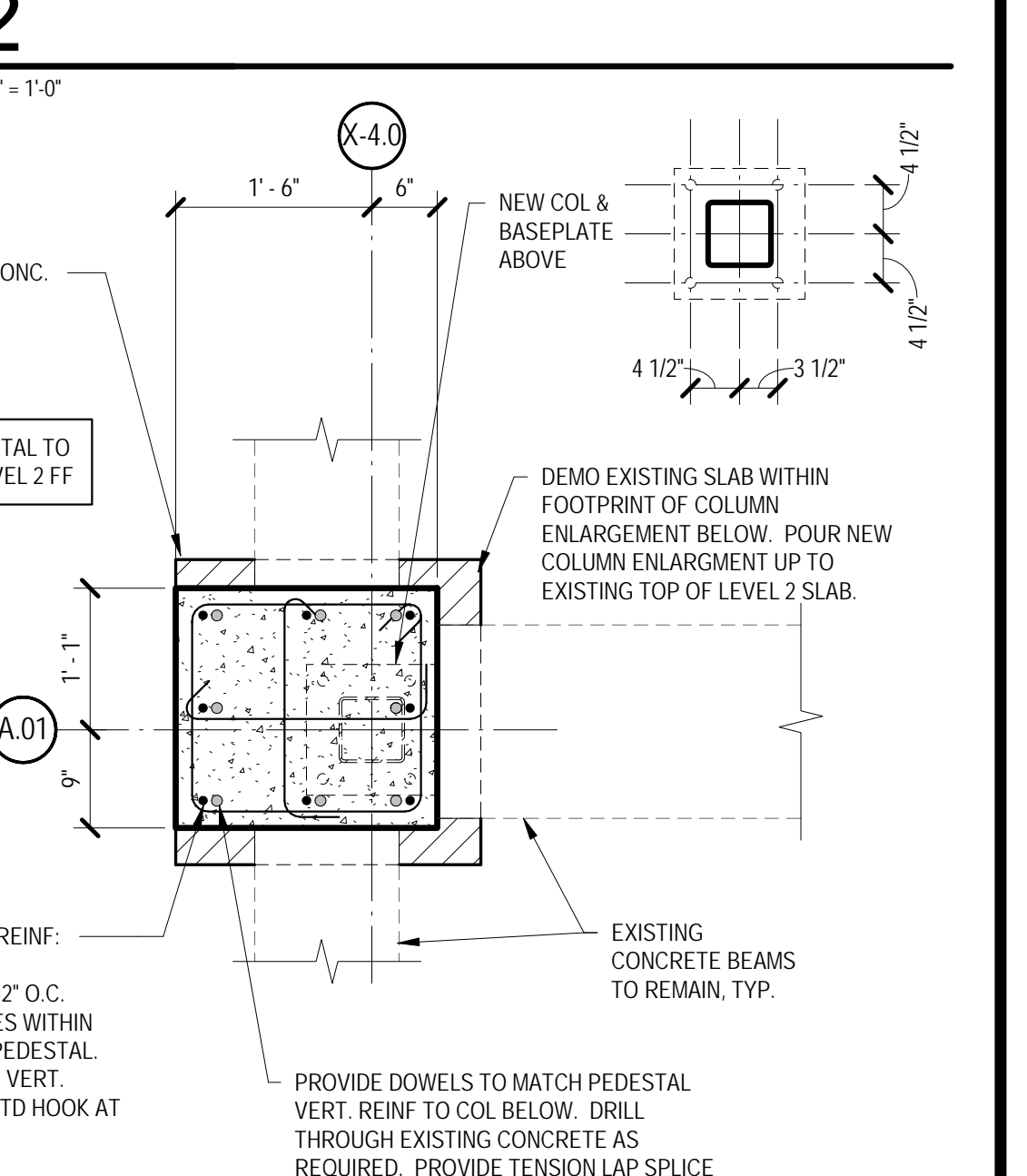
19  
3/4" = 1'-0"



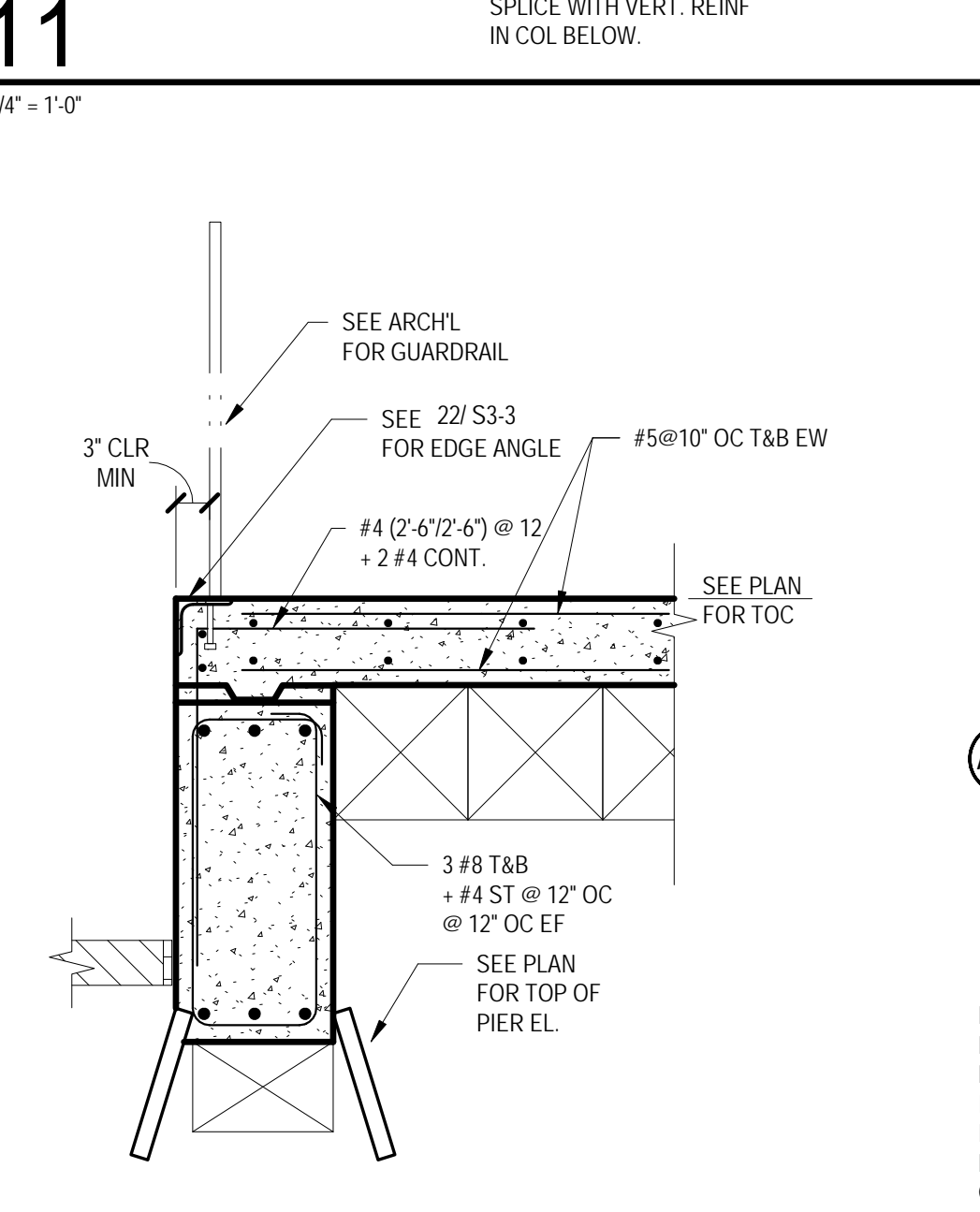
11  
3/4" = 1'-0"



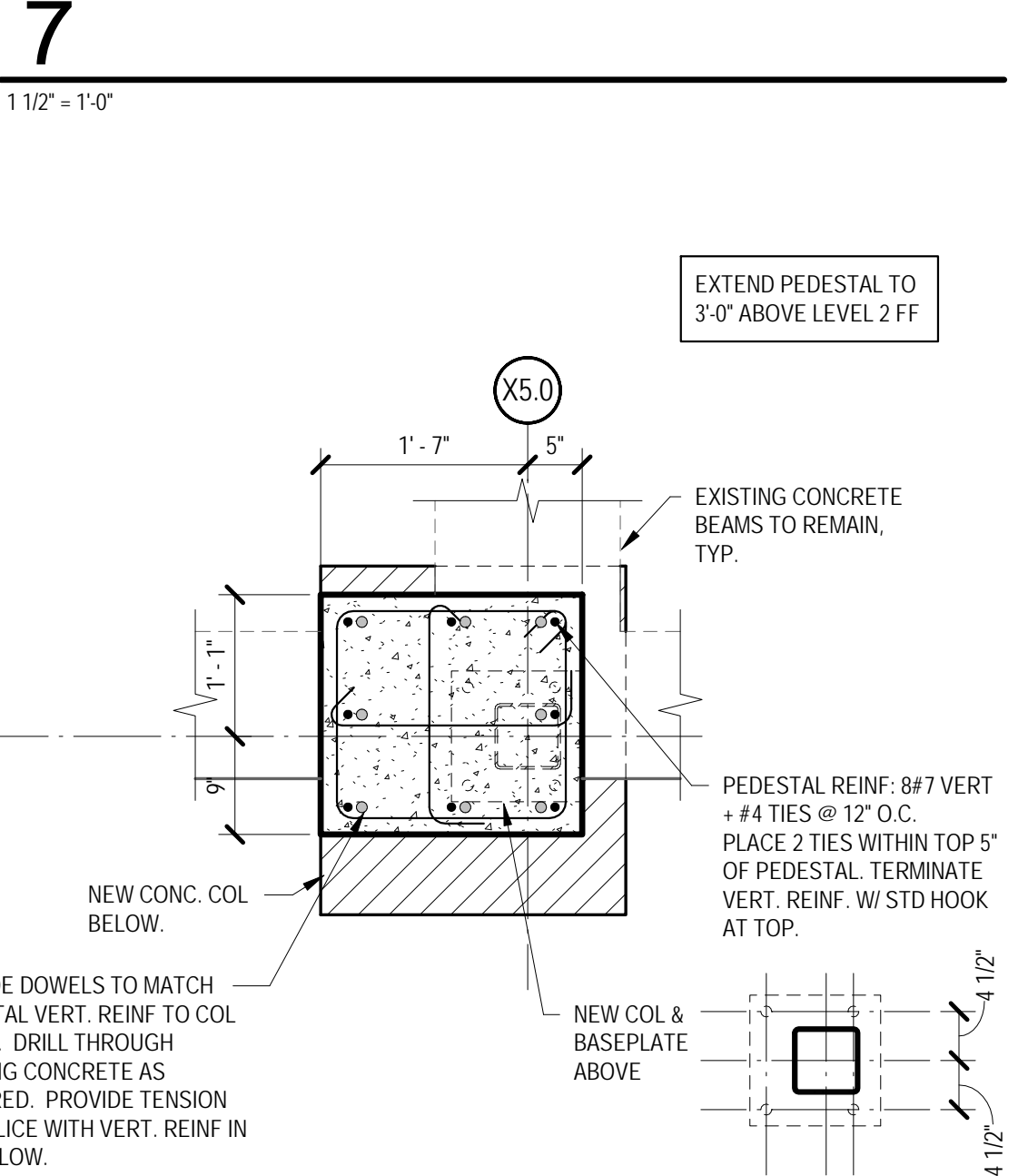
7  
1 1/2" = 1'-0"



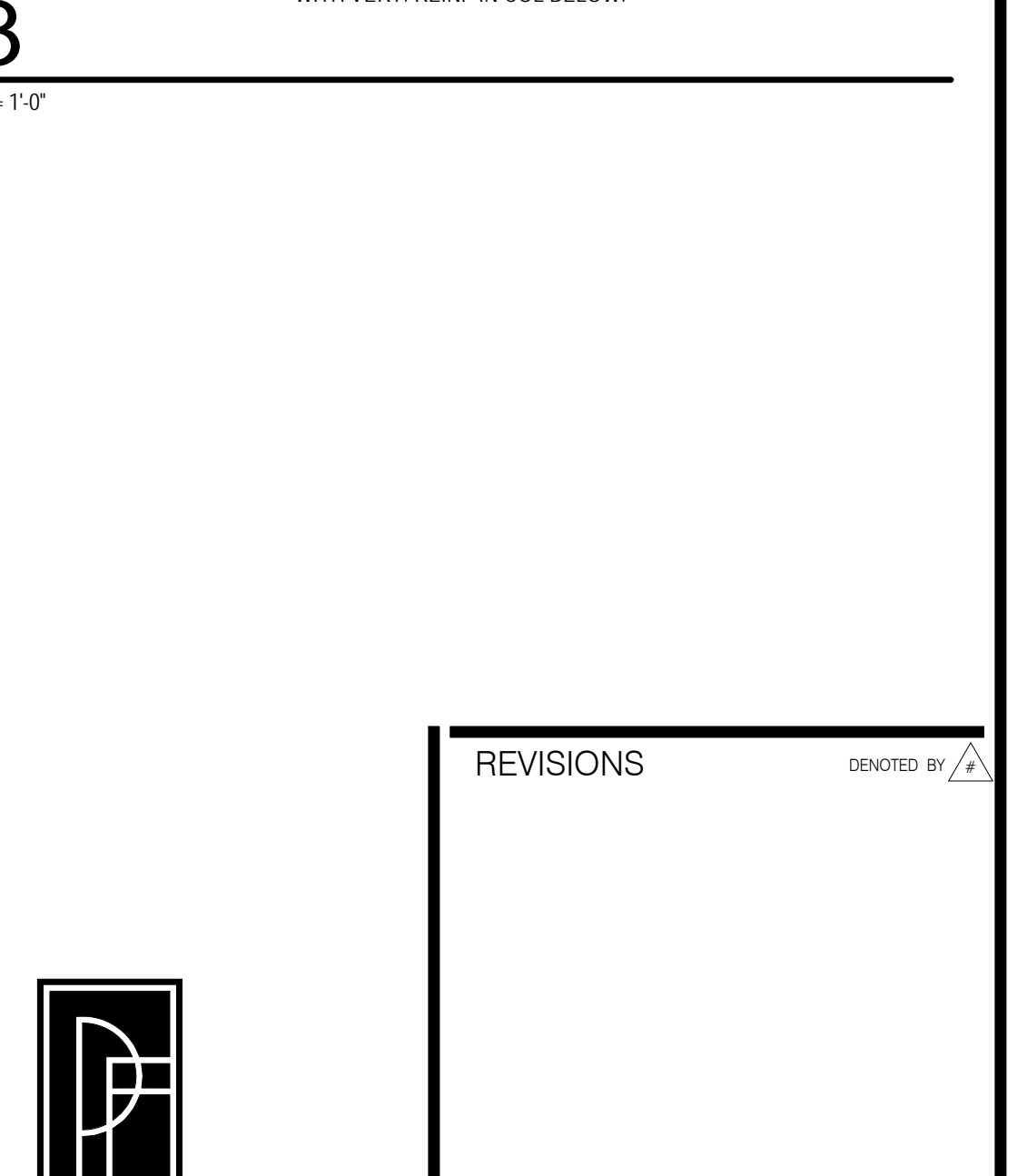
3  
3/4" = 1'-0"



12  
3/4" = 1'-0"

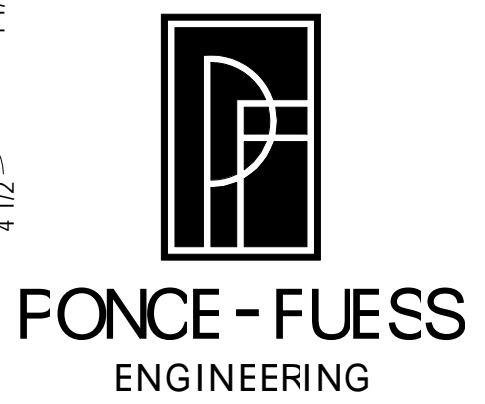


8  
3/4" = 1'-0"



2  
3/4" = 1'-0"

REVISIONS	DATE	BY	CHKD



**PONCE-FUESS**  
ENGINEERING  
3333 Lee Parkway, Suite 475 • Dallas, TX 75219  
469-310-2850 • www.ponce-fuess.com  
Project No. 16276 TX REG. # F-12125

**Hahnfeld Hoffer Stanford**  
architects planners interiors  
200 Bailey Ave., Suite 200  
Fort Worth, Texas 76107  
817.921.5928  
817.302.0692 fax

**CANNONDESIGN**  
1580 Wilson Boulevard, Suite 200  
Arlington, Virginia 22209  
T: 703.907.2300  
F: 703.907.2650

**CONSULTANTS**  
**JASTER-QUINTANILLA**  
CIVIL ENGINEER  
100 GLASS ST.  
DALLAS, TEXAS 75207  
TEL 972.752.9098

**CAYE COOK & ASSOCIATES**  
LANDSCAPE ARCHITECT  
12700 HILLCREST RD., SUITE 149  
DALLAS, TX 75230  
TEL 214.739.9105

**PONCE-FUESS ENGINEERING, LLC**  
STRUCTURAL ENGINEER  
3333 LEE PARKWAY, SUITE 475  
DALLAS, TEXAS 75219  
TEL 469.310.2850

**PURDY-McGUIRE, INC.**  
MEP ENGINEER  
17300 DALLAS PARKWAY, SUITE 3000  
DALLAS, TEXAS 75248  
TEL 972.239.5357

**RICCA DESIGN STUDIOS**  
FOOD SERVICE CONSULTANT  
5325 S VALENTIA WAY  
GREENWOOD VILLAGE, COLORADO 80111  
TEL 303.221.0500

**LAFLEUR ASSOCIATES, LLP**  
LIGHTING CONSULTANT  
307 HIGH STREET, SUITE D  
CHESTERTOWN MARYLAND 21620  
TEL 410.323.1420

**WJHW, INC.**  
AUDIO/VISUAL CONSULTANTS  
3424 MIDDCOURT ROAD, SUITE 124  
CARROLLTON, TEXAS 75006  
TEL 972.934.3700

**WISS, JANNEY, ELSTNER ASSOCIATES, INC.**  
BUILDING ENVELOPE CONSULTANT  
6363 N. STATE HIGHWAY 161, SUITE 550  
IRVING, TEXAS 75038  
TEL 972.550.7777



**TEXAS WOMENS UNIVERSITY**  
**HUBBARD HALL**  
**ADDITION AND RENOVATION**  
**- STUDENT UNION**  
**DENTON, TEXAS**

PROJECT #: 16032-00 MANAGER: PFE  
ISSUED FOR: 100% CD DRAFTER: PFE  
DATE: NOVEMBER 30, 2017 CHECKED: PFE

CONCRETE DETAILS

SHEET  
**S3-7**  
OF SHEETS

Copyright © 2017 Hahnfeld Hoffer Stanford