

CONSULTANTS

JASTER-QUINTANILLA  
CIVIL ENGINEER  
100 GLASS ST.  
DALLAS, TEXAS 75207  
TEL 972.752.9098

CAYE COOK & ASSOCIATES  
LANDSCAPE ARCHITECT  
12700 HILLCREST RD., SUITE 149  
DALLAS, TX 75230  
TEL 214.739.9105

PONCE-FUESS ENGINEERING, LLC  
STRUCTURAL ENGINEER  
3333 LEE PARKWAY, SUITE 475  
DALLAS, TEXAS 75219  
TEL 469.310.2850

PURDY-McGUIRE, INC.  
MEP ENGINEER  
17300 DALLAS PARKWAY, SUITE 3000  
DALLAS, TEXAS 75248  
TEL 972.239.5357

RICCA DESIGN STUDIOS  
FOOD SERVICE CONSULTANT  
5325 S VALENTIA WAY  
GREENWOOD VILLAGE, COLORADO 80111  
TEL 303.221.0500

LAFLEUR ASSOCIATES, LLP  
LIGHTING CONSULTANT  
307 HIGH STREET, SUITE D  
CHESTERTOWN MARYLAND 21620  
TEL 410.323.1420

WJHW, INC.  
AUDIO/VISUAL CONSULTANTS  
3424 MIDCOURT ROAD, SUITE 124  
CARROLLTON, TEXAS 75006  
TEL 972.934.3700

WISS, JANNEY, ELSTNER ASSOCIATES, INC.  
BUILDING ENVELOPE CONSULTANT  
6363 N. STATE HIGHWAY 161, SUITE 550  
IRVING, TEXAS 75038  
TEL 972.550.7777



Lucas G. Ponce  
11-30-2017

**TEXAS WOMENS UNIVERSITY  
HUBBARD HALL  
ADDITION AND RENOVATION  
- STUDENT UNION  
DENTON, TEXAS**

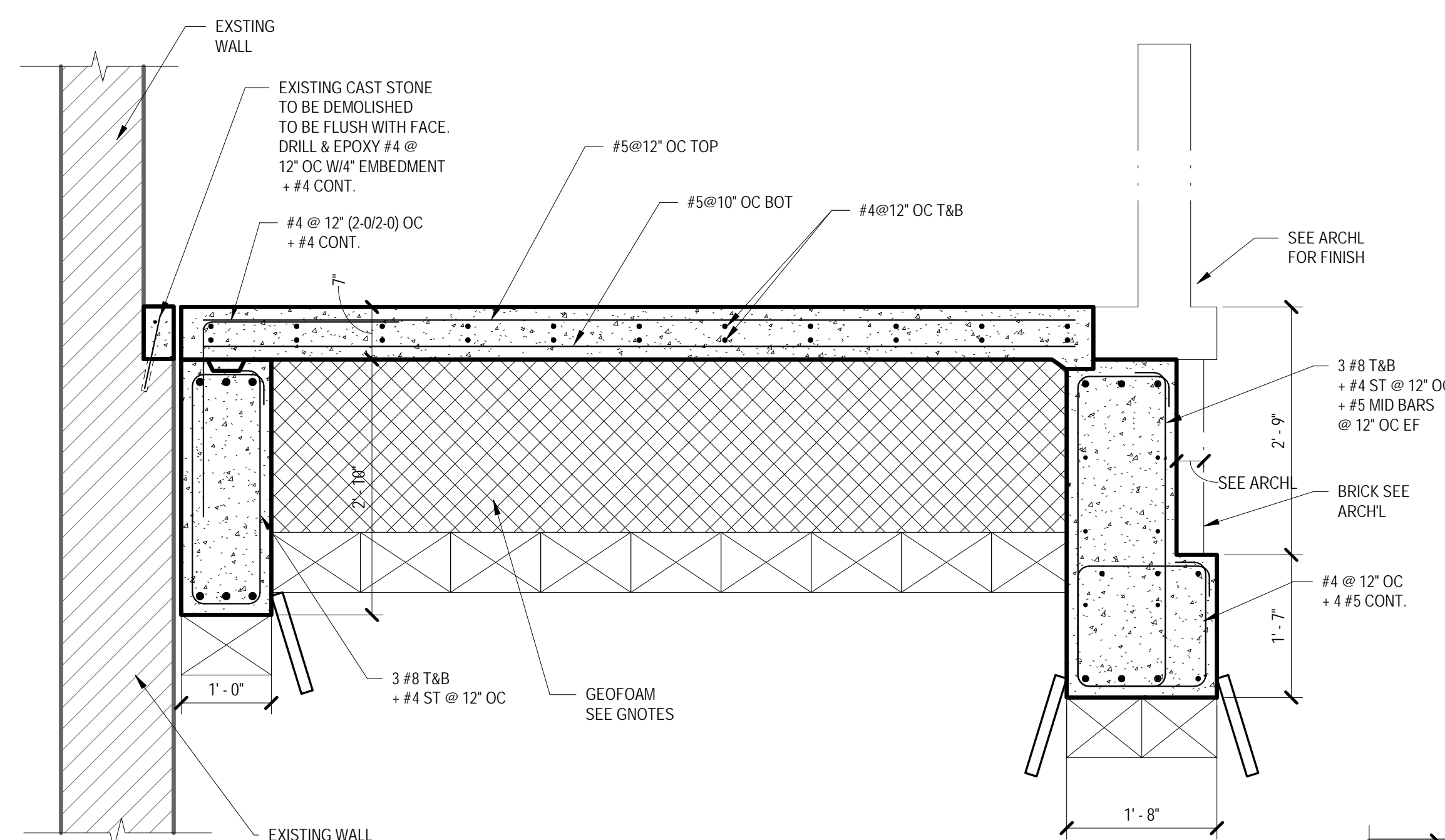
PROJECT #: 16032-00 MANAGER: PFE  
ISSUED FOR: 100% CD DRAFTER: PFE  
DATE: NOVEMBER 30, 2017 CHECKED: PFE

CONCRETE DETAILS

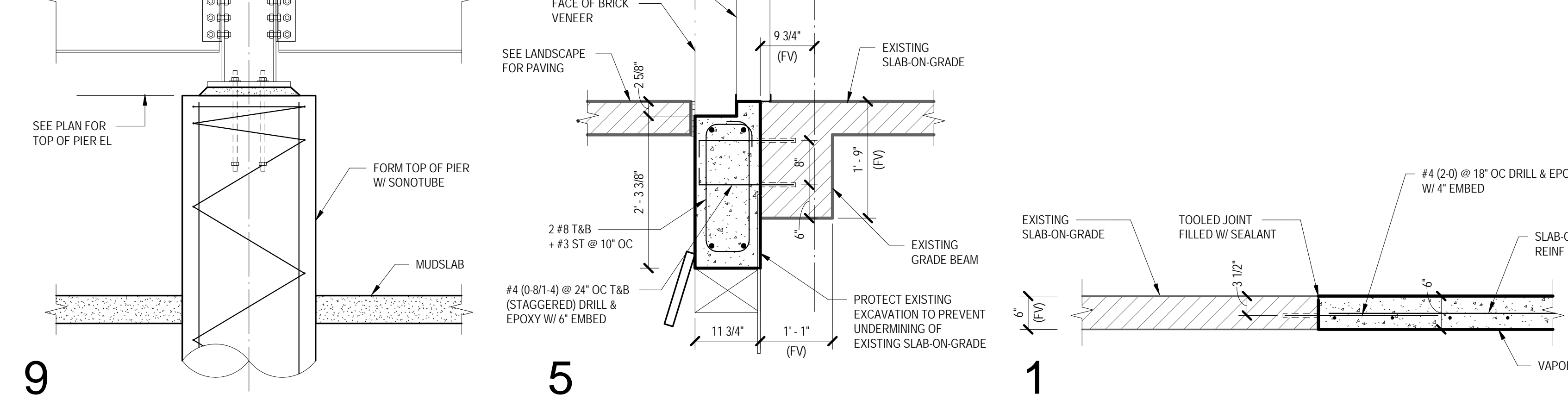
SHEET

**S3-5**

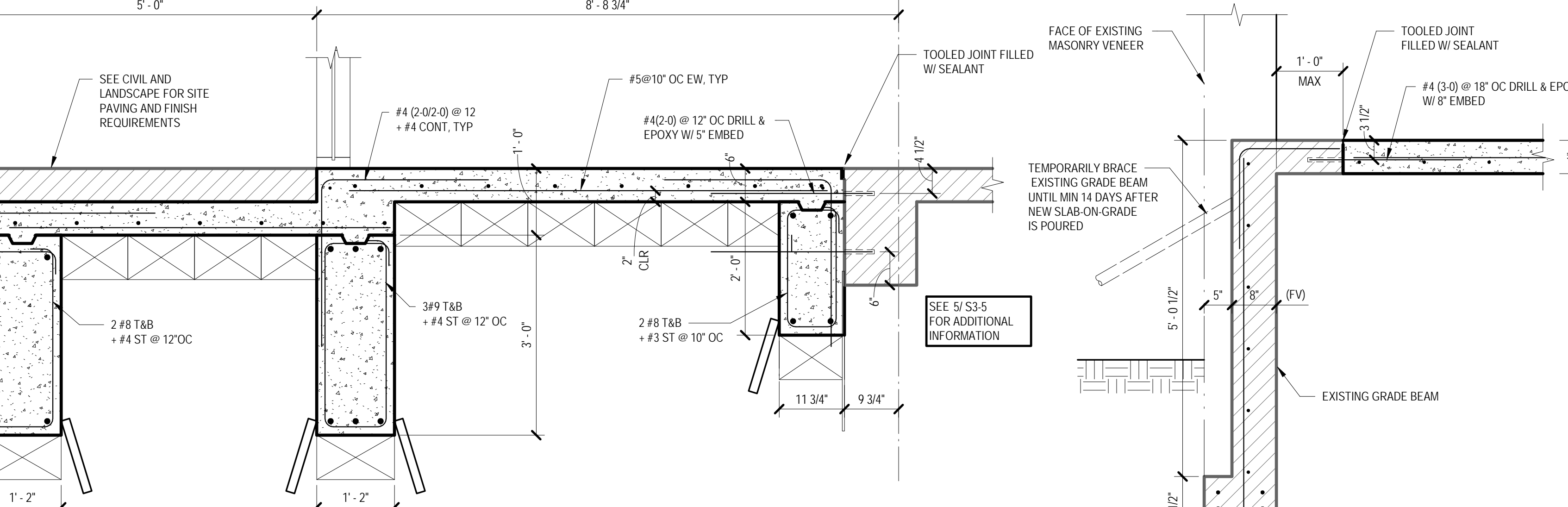
OF SHEETS



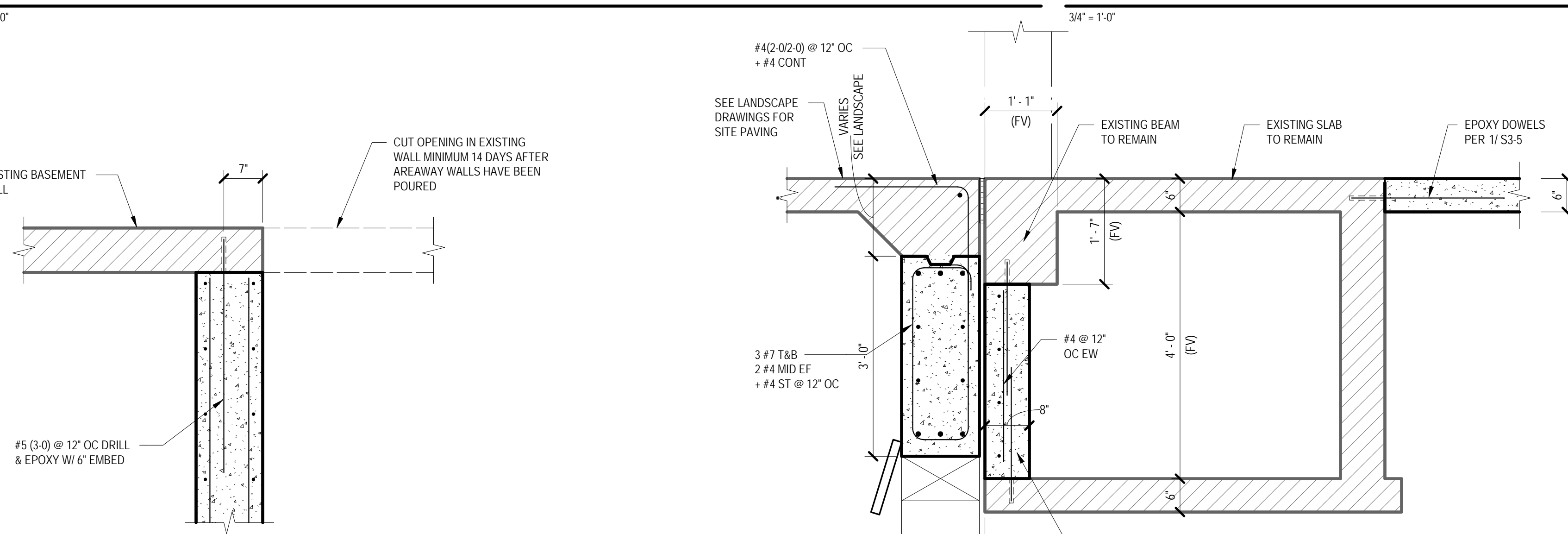
18  
3/4" = 1'-0"



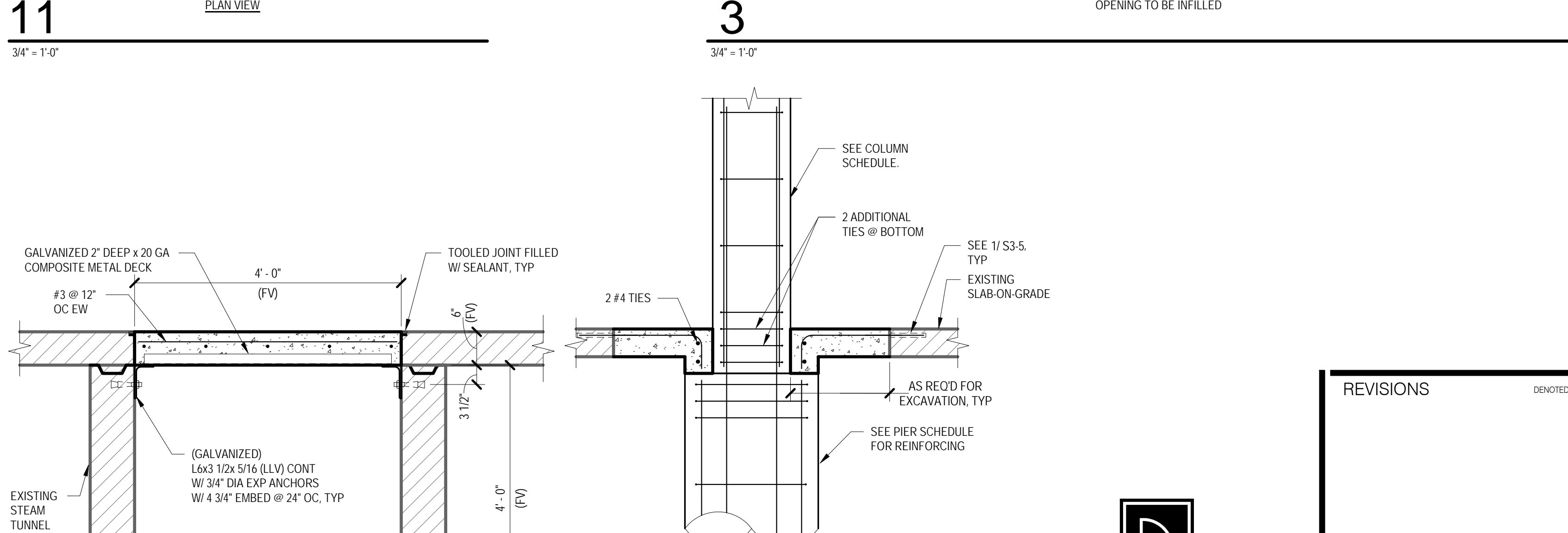
5  
3/4" = 1'-0"



10  
3/4" = 1'-0"



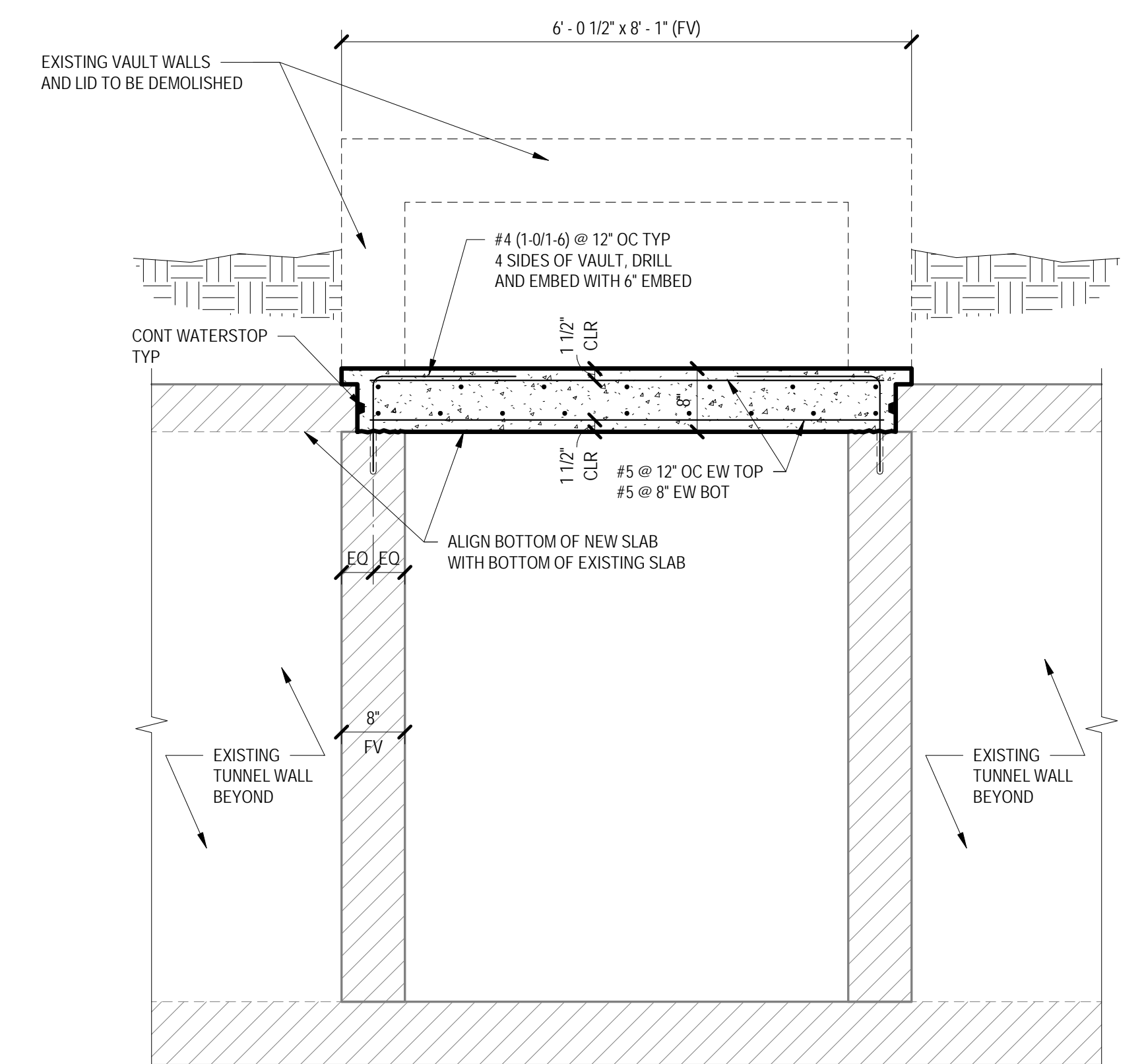
3  
3/4" = 1'-0"



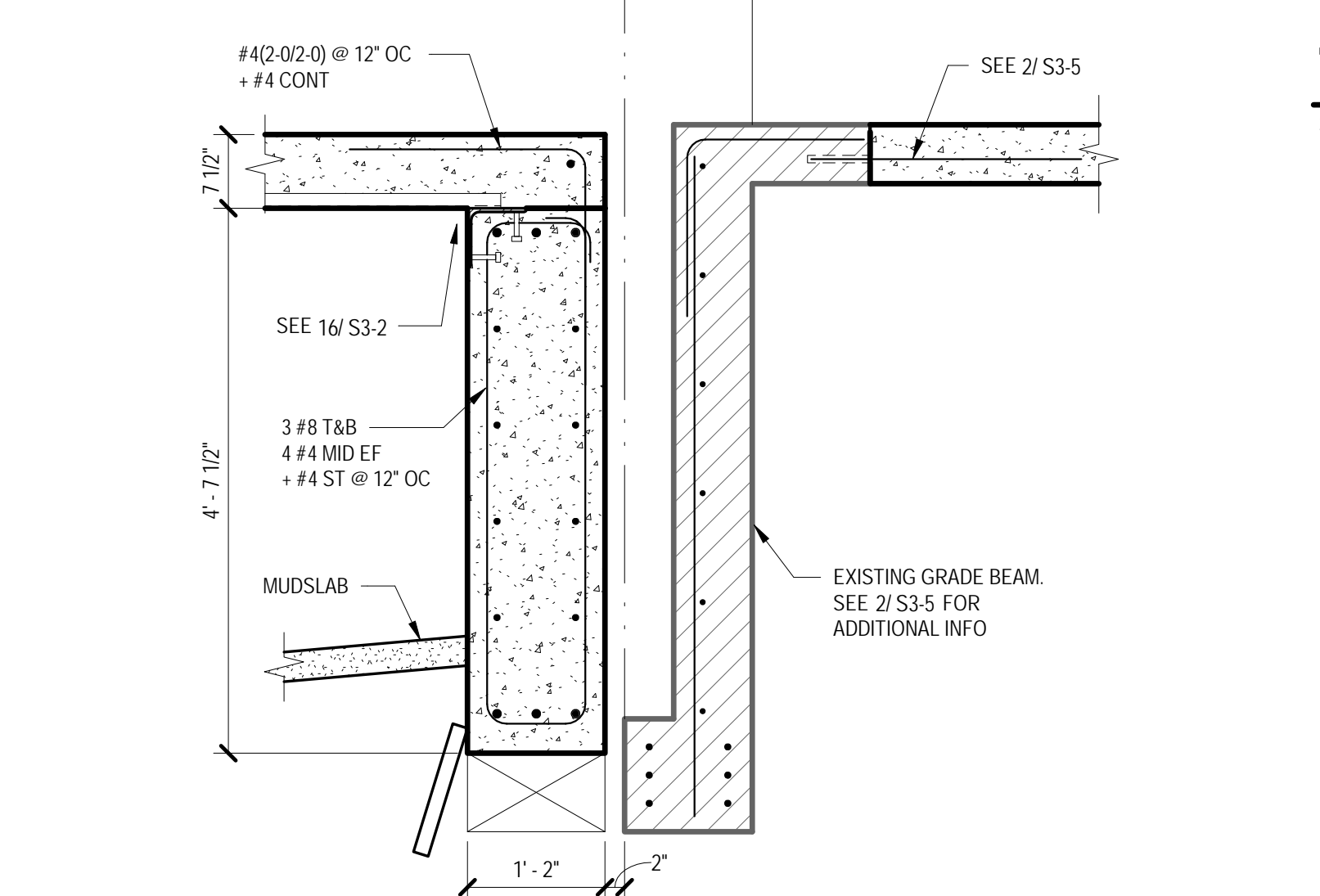
12  
3/4" = 1'-0"



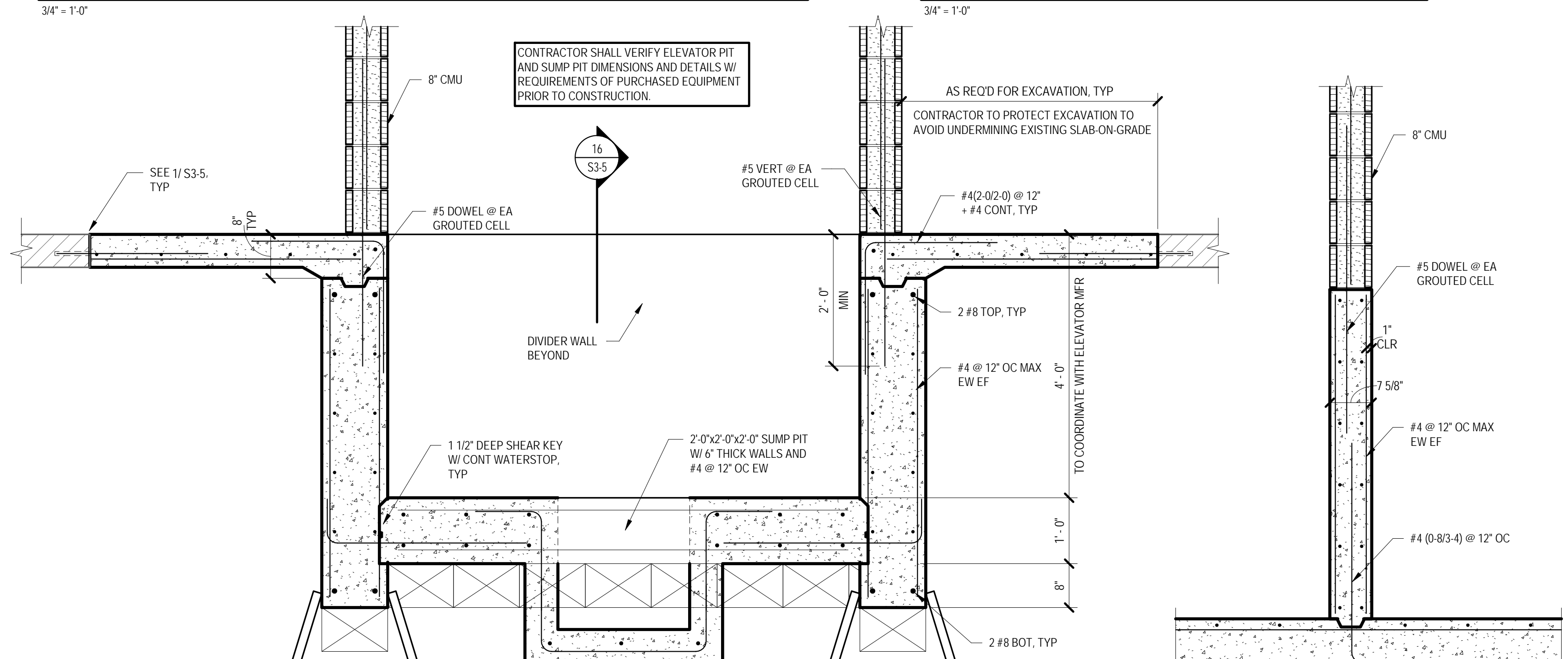
8  
3/4" = 1'-0"



23 NEW LID OVER EXISTING VAULT  
3/4" = 1'-0"

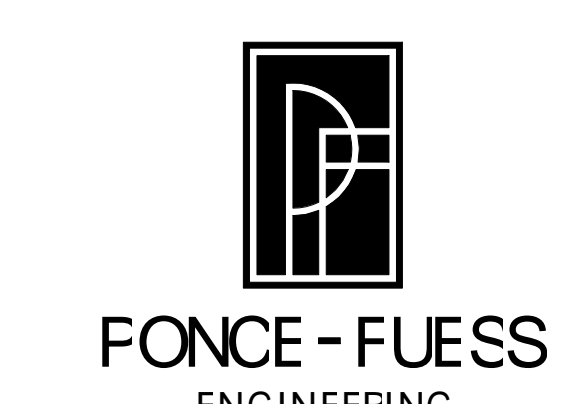


13  
3/4" = 1'-0"



16  
3/4" = 1'-0"

24  
3/4" = 1'-0"



PONCE-FUESS  
ENGINEERING

3333 Lee Parkway, Suite 475 • Dallas, TX 75219  
469-310-2850 • www.ponce-fuess.com  
Project No. 16276 TX REG. # F-12125

REVISIONS	DENOTED BY