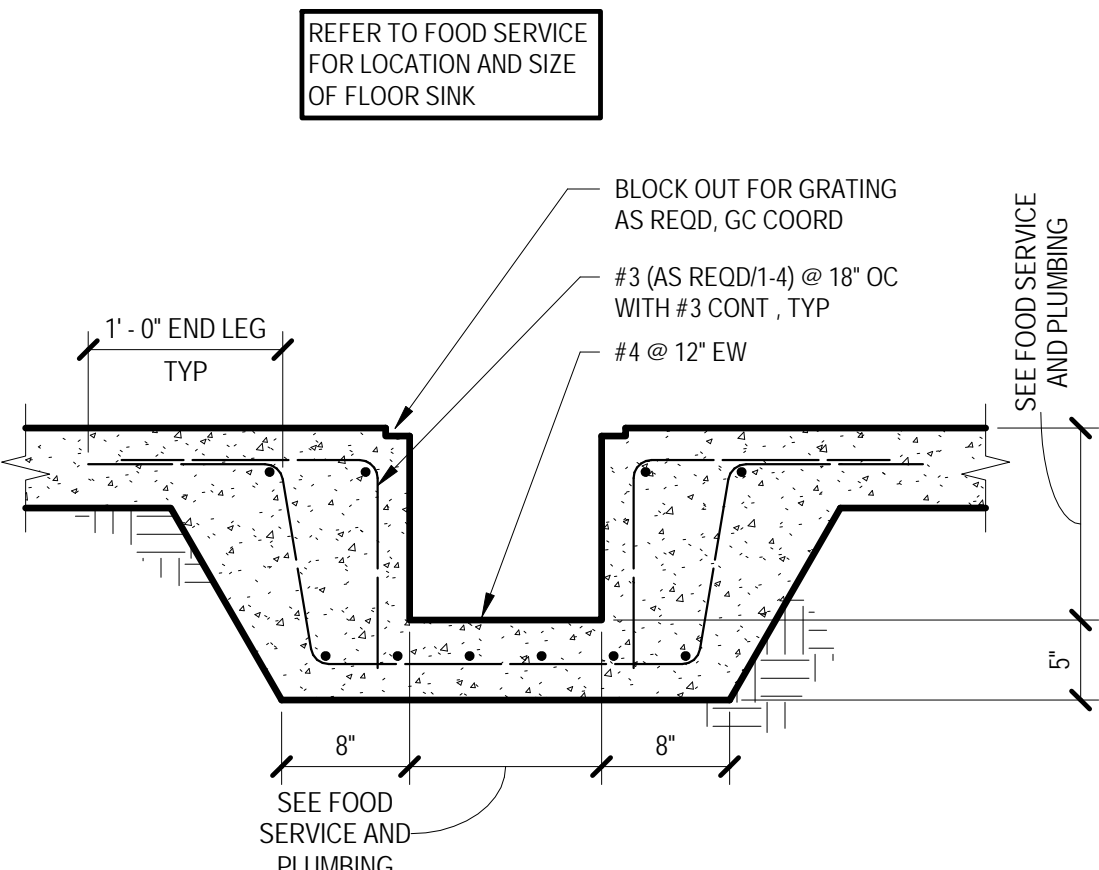


POST-TENSIONED BEAM

21 TD03306

3/4" = 1'-0"

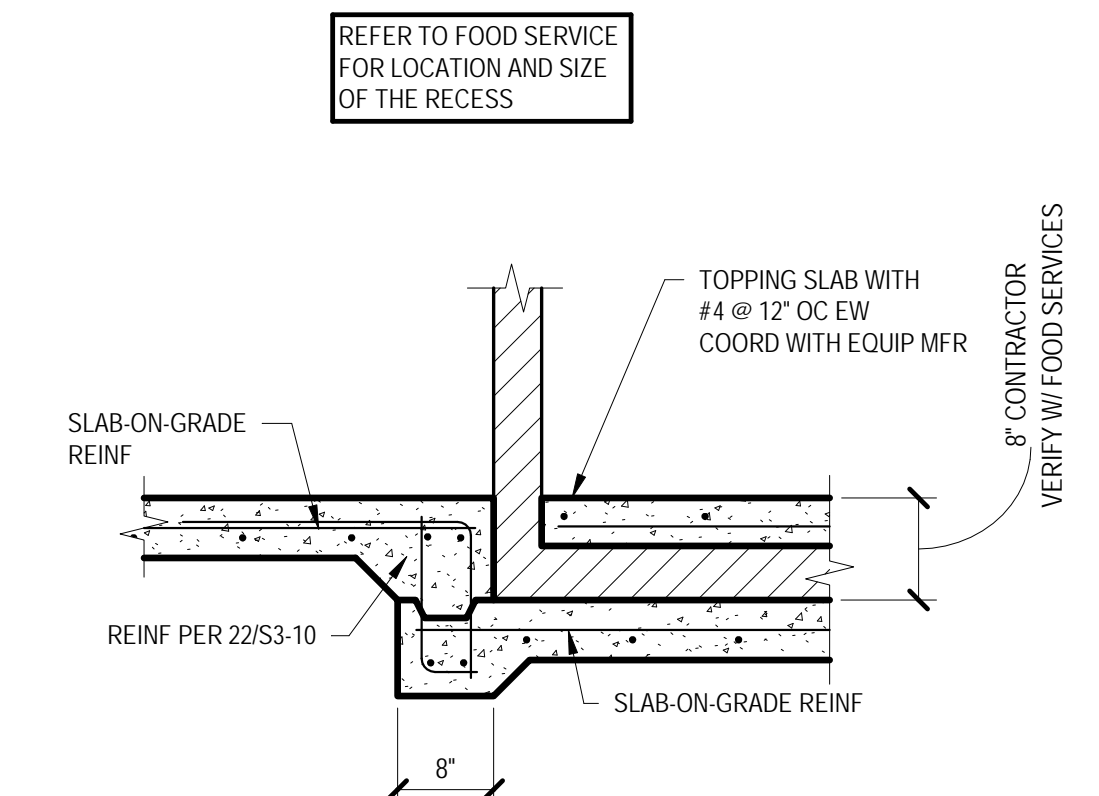
POST-TENSIONED BEAM ELEV



FOOD SERVICE FLOOR SINK

22 TYPICAL DETAIL

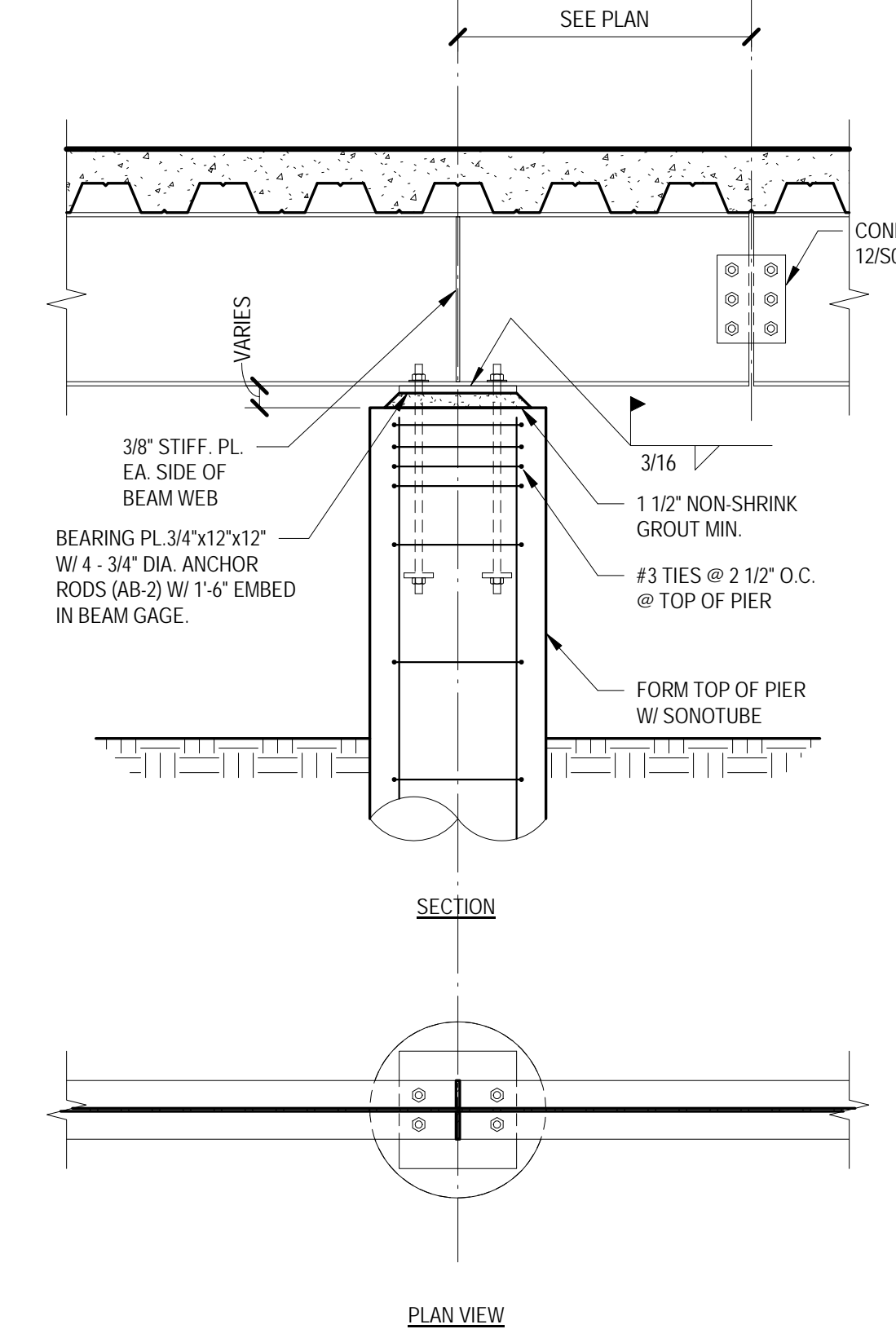
NO SCALE



FOOD SERVICE FREEZER / COOLER SLAB RECESS

23 TYPICAL DETAIL

NO SCALE



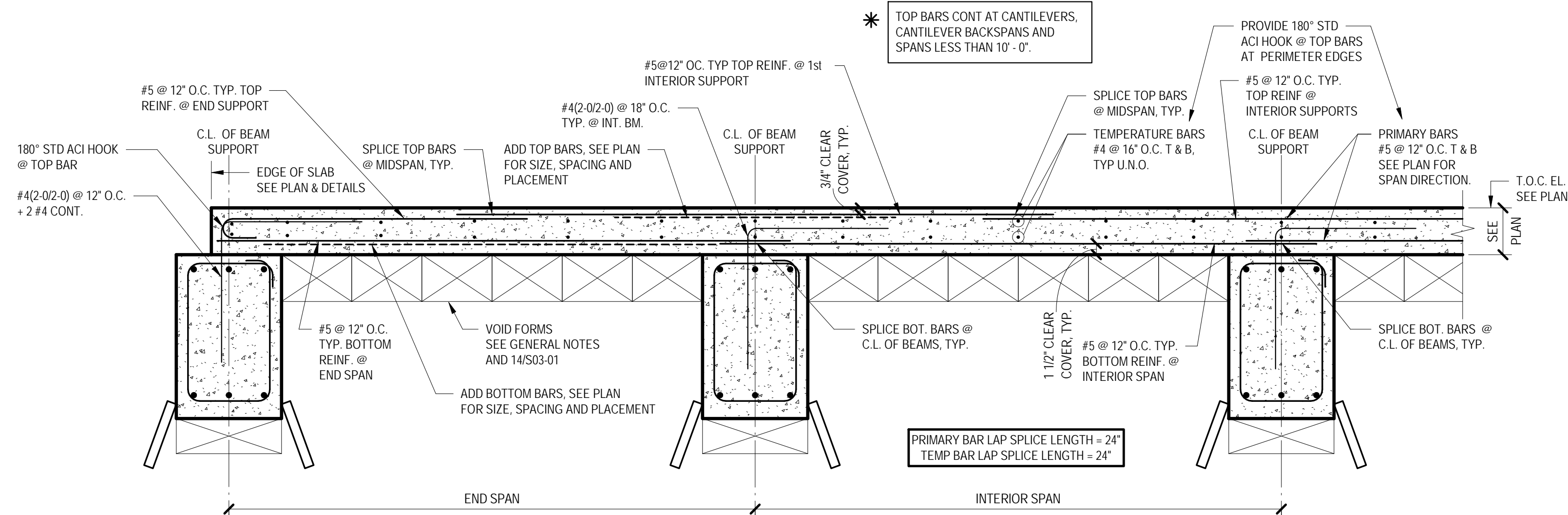
GENERATOR PAD

19 TYPICAL DETAIL

NO SCALE

24 TYPICAL DETAIL

NO SCALE



ONE-WAY SLAB ON VOIDS REINFORCING

18 TYPICAL DETAIL

NO SCALE

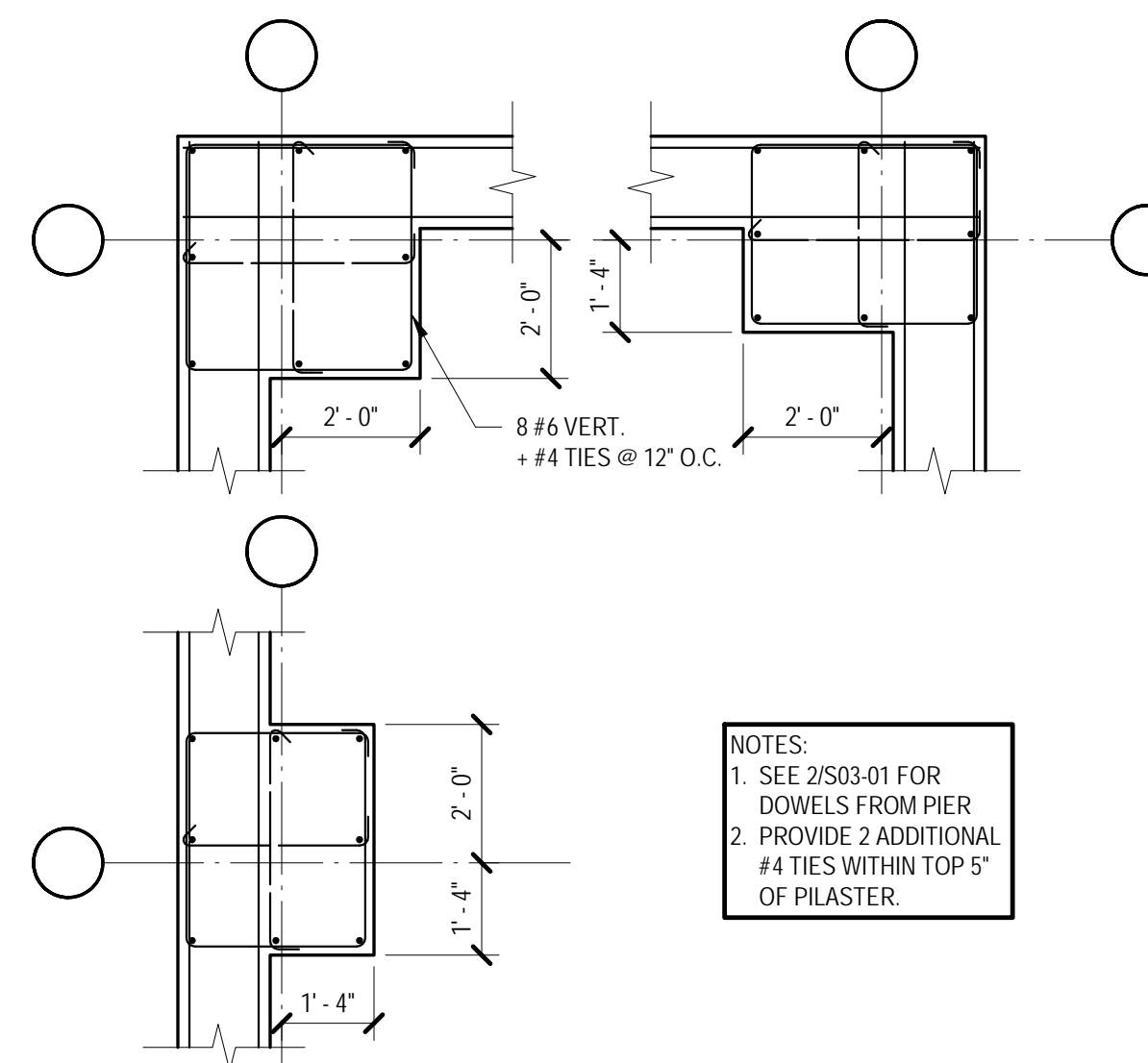
JOIST/BEAM MARK (SEE DEMO PLANS FOR LOCATIONS)	EXISTING JOIST/BEAM MOMENT CAPACITY			REQUIRED JOIST/BEAM MOMENT CAPACITY		
	END SPAN M. (K-FT)	MID SPAN M. (K-FT)	END SPAN M. (K-FT)	END SPAN M. (K-FT)	MID SPAN M. (K-FT)	END SPAN M. (K-FT)
JE1	-18	18	-18	0	30	-35
JE2	-18	18	-18	0	40	0
JE3	-15	15	-15	0	18	0
JE4	-15	15	-15	-35	16	0
JE5	-18	18	-18	0	30	-35
JE6	-18	18	-18	0	19	-26
BE1	-71	104	-71	0	116	-182
BE2	-71	104	-71	-140	88	-28
BE3	-102	150	-102	0	167	-276
BE4	-91	133	-91	-195	135	-174

*NOTES:
1. SEE 21S3-3 FOR ADD'L INFO ABOUT EXISTING BEAM AND JOIST REINFORCING.

EXISTING JOIST/BEAM REINFORCING SCHEDULE FOR FIBER WRAP DESIGN

15 TYPICAL DETAIL

NO SCALE 1/5"=3'-10"



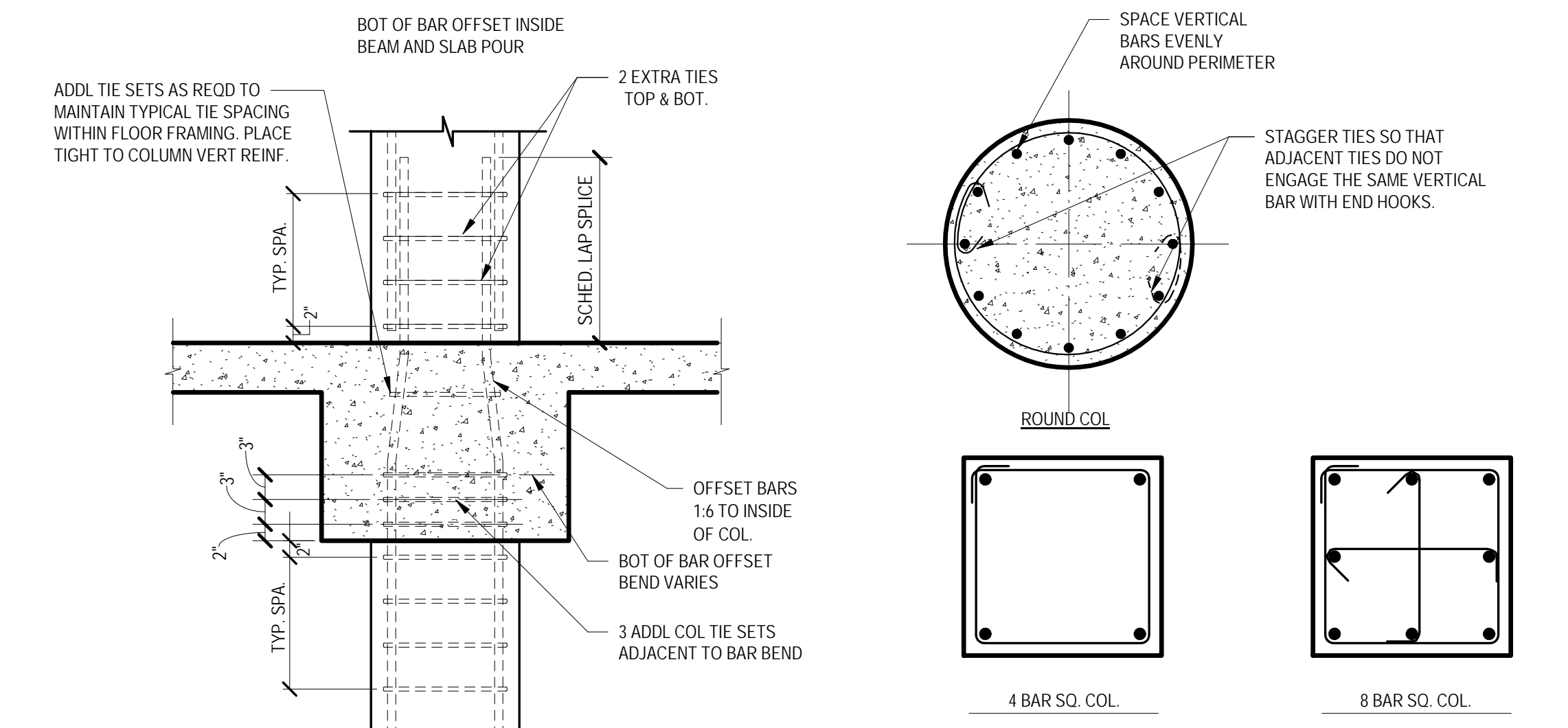
VERTICAL BRACE PILASTERS

12 TYPICAL DETAIL

NO SCALE

					ROOF FLOOR
28 x 36 SEE GENERAL NOTES 16 #8 #3 @ 12" OC 5'-2" 6/53-10	28 x 32 SEE GENERAL NOTES 12 #7 #3 @ 12" OC 5'-2" 6/53-10	28 x 28 SEE GENERAL NOTES 12 #7 #3 @ 12" OC 4'-6" 6/53-10	14 x 14 SEE GENERAL NOTES 8 #7 #3 @ 12" OC 4'-6" 6/53-10	20" DIA ROUND SEE GENERAL NOTES 8 #7 #4 @ 8" OC 5'-2" 6/53-10	SEE PLAN
8 #8 8/53-10	6 #8 8/53-10	6 #7 8/53-10	8 #7 2/53-1	8 #8 2/53-1	SEE PLAN
CC5	CC4	CC3	CC2	CC1	1ST FLOOR
					EL 100'-0"
					DETAIL
					COLUMN MARK

CONCRETE COLUMN SCHEDULE



COLUMN SPLICE @ FLOOR

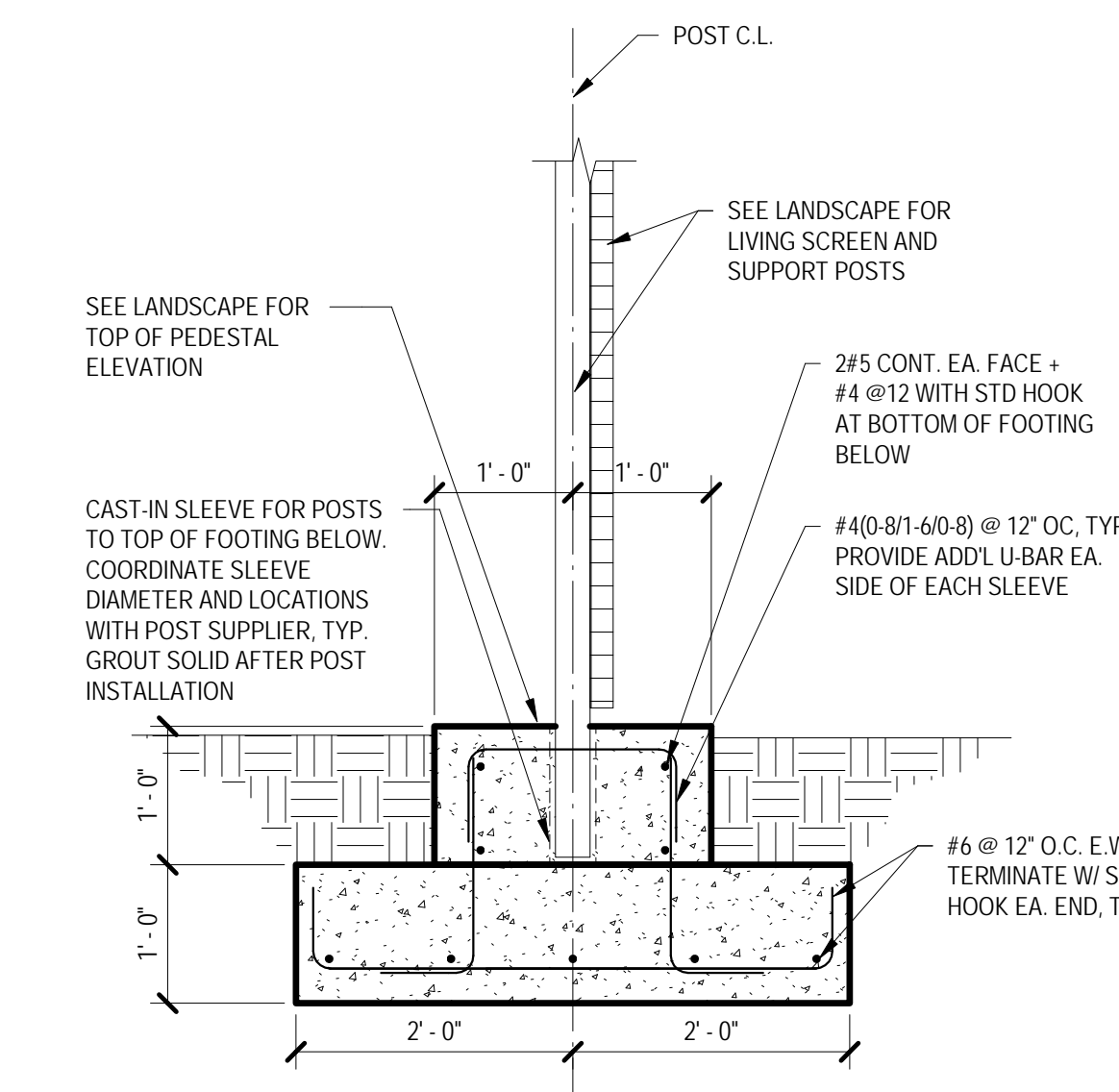
6 TYPICAL DETAIL

NO SCALE

CONCRETE COLUMN REIN. DETAILS

2 TYPICAL DETAIL

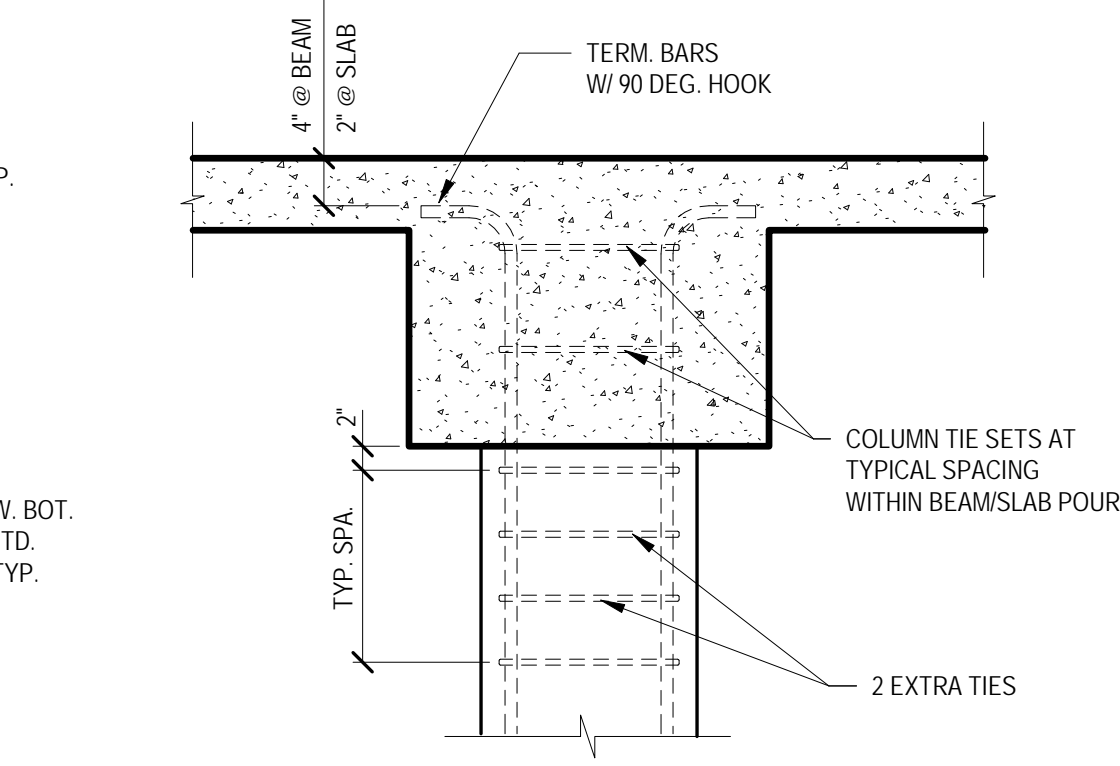
NO SCALE



LIVING SCREEN FOUNDATION

7 TYPICAL DETAIL

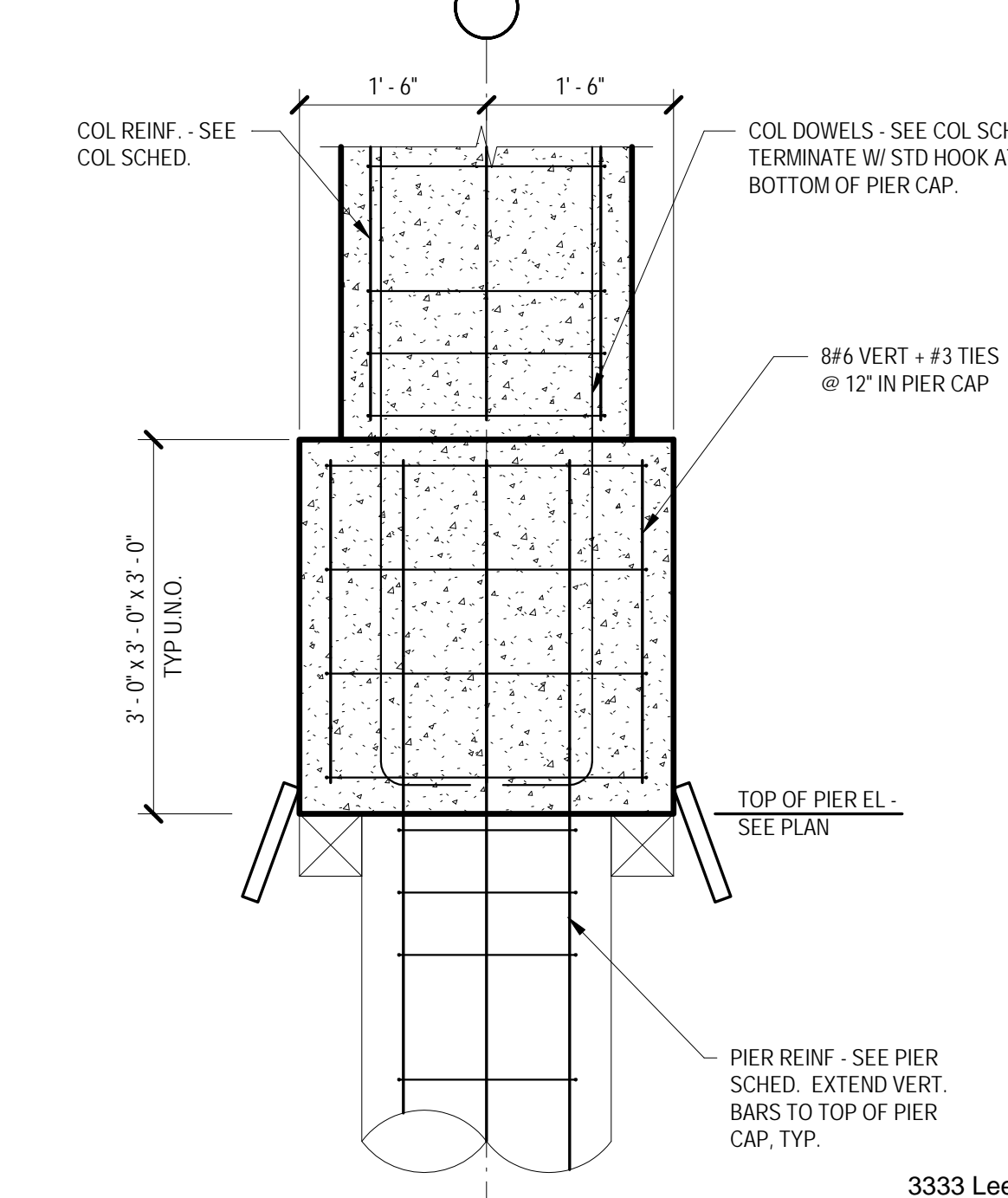
NO SCALE 7/53-10



DETAIL @ TOP OF COLUMN

3 TYPICAL DETAIL

NO SCALE



8 TYPICAL DETAIL

NO SCALE 8/53-10



TEXAS WOMENS UNIVERSITY
HUBBARD HALL
ADDITION AND RENOVATION
- STUDENT UNION
DENTON, TEXAS

PROJECT #: 16032-00
ISSUED FOR: 100% CD
DATE: NOVEMBER 30, 2017

MANAGER: PFE
DRAFTER: PFE
CHECKED: PFE

TYPICAL CONCRETE DETAILS

SHEET

S3-10
OF SHEETS