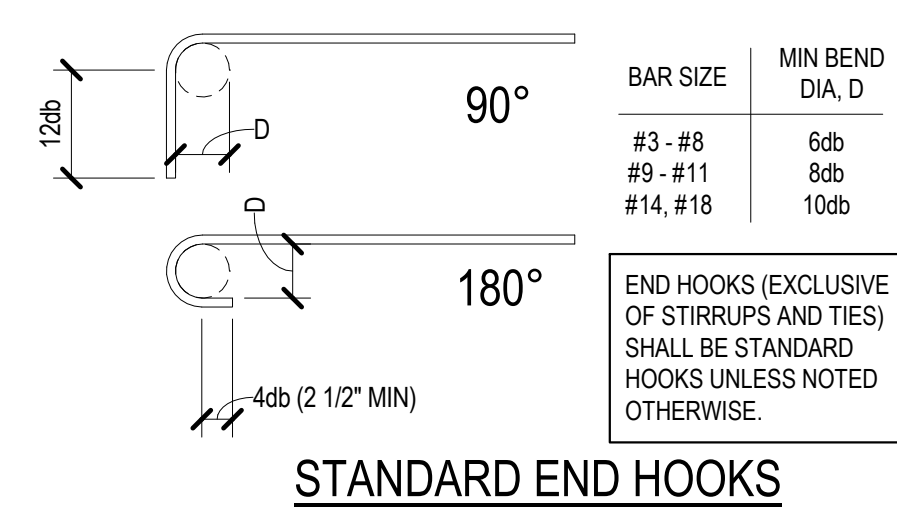
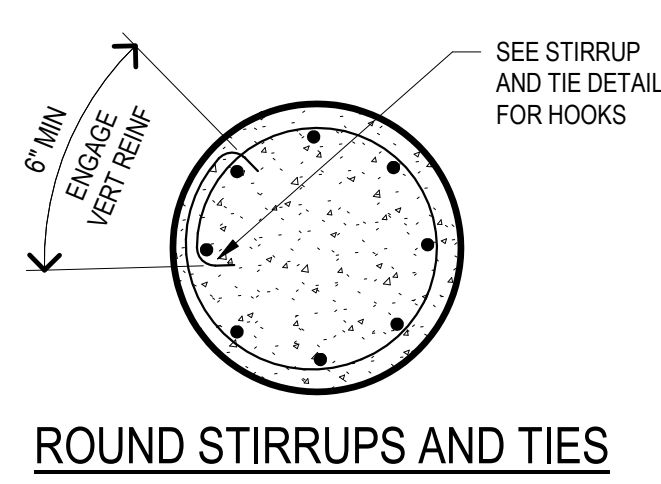


OFFSET BARS



STANDARD END HOOKS

STIRRUPS AND TIES



ROUND STIRRUPS AND TIES

21 REBAR BENDS AND HOOKS TYPICAL DETAIL

NO SCALE TD03201

BAR SIZE	WELD SIZE
#3	3/16"
#4	1/4"
#5	5/16"
#6	3/8"
#7	7/16"
#8	1/2"
#9	9/16"
#10	5/8"
#11	11/16"

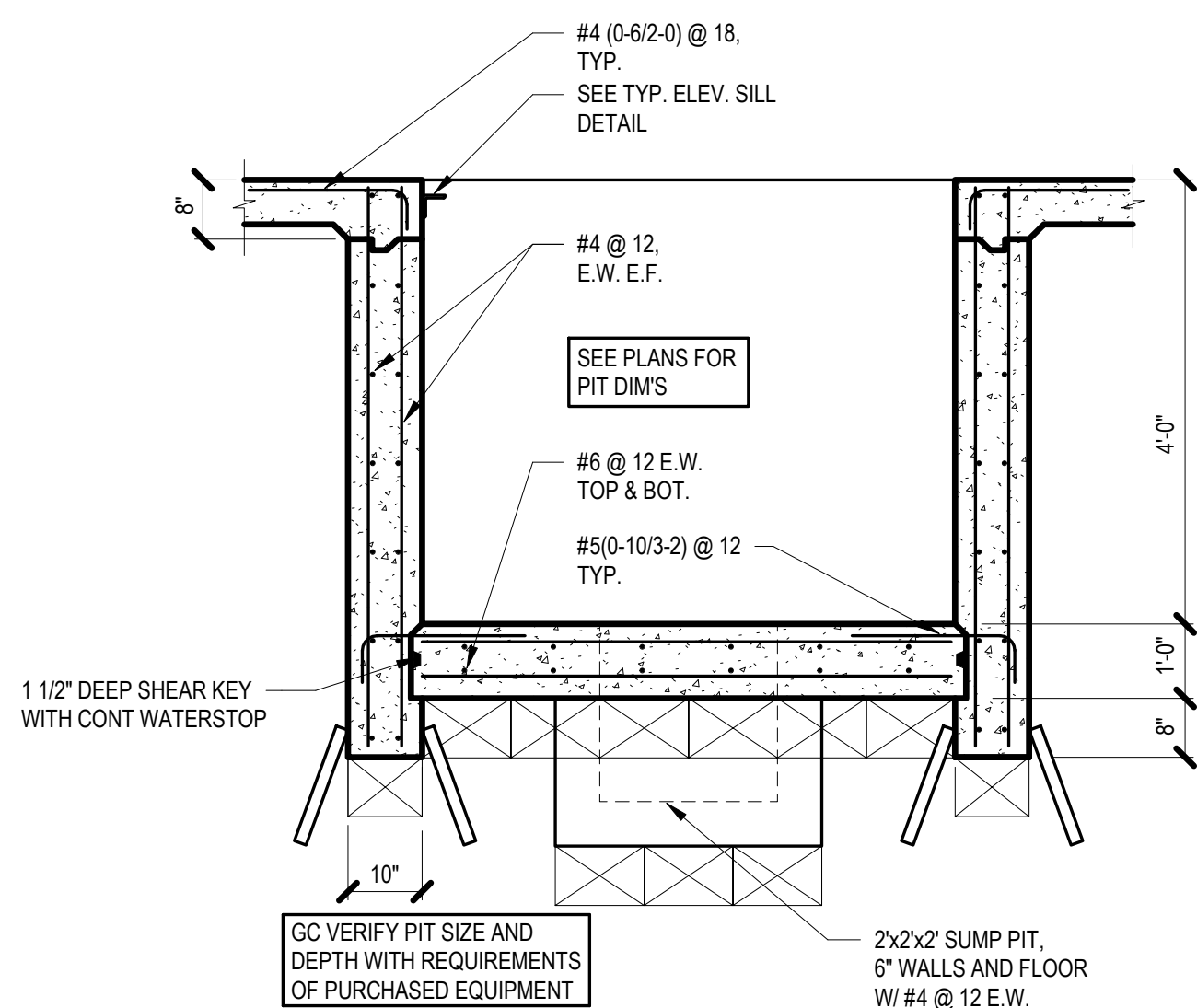
BAR PERPENDICULAR TO PLATE

BAR SIZE	MINIMUM SPLICE LENGTH
#3	1'
#4	1 1/4'
#5	1 1/2'
#6	1 3/4'
#7	2'
#8	2 1/4'
#9	2 1/2'
#10	3'
#11	3 1/4'

BAR SPLICE

22 REBAR WELDING TYPICAL DETAIL

NO SCALE TD03202

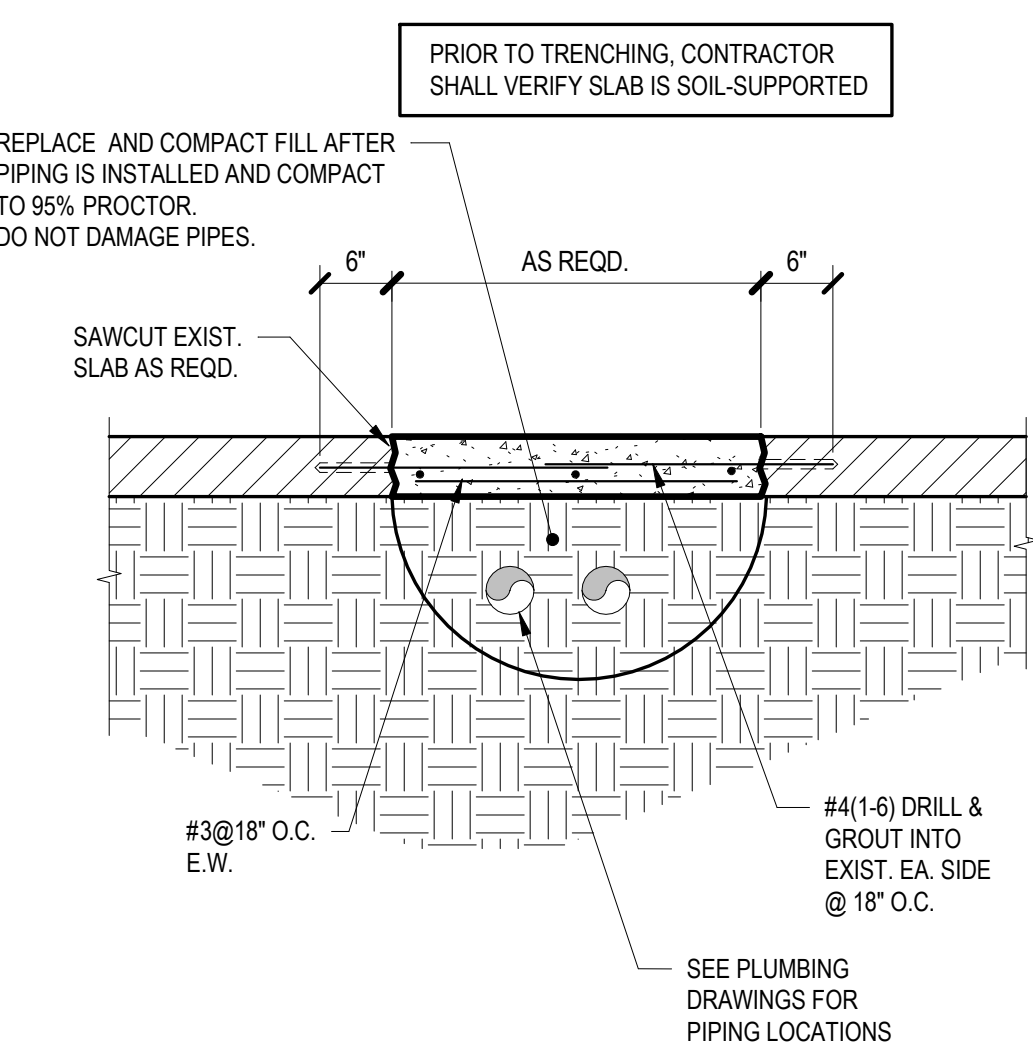


23 ELEVATOR PIT TYPICAL DETAIL

NO SCALE TD03201

19 ELEVATOR SILL ANGLE TYPICAL DETAIL

NO SCALE TD03202



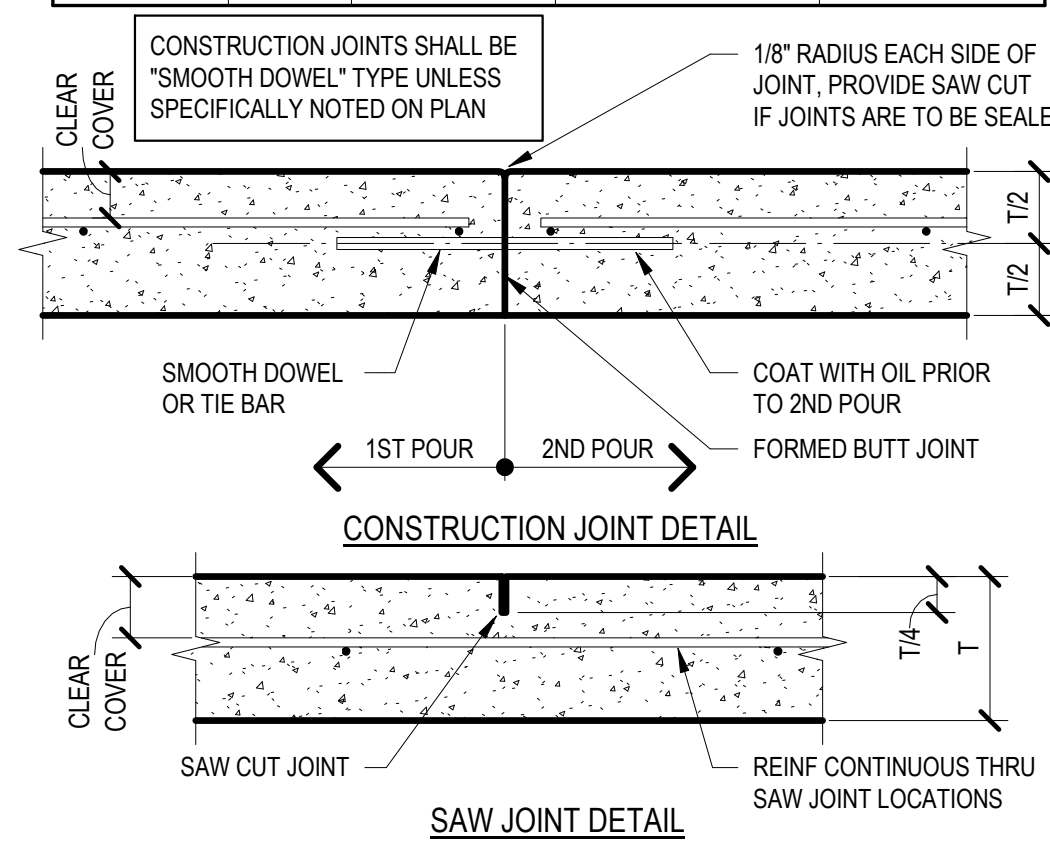
20 TRENCH IN EXISTING SLAB TYPICAL DETAIL

NO SCALE 12/S3-01

24 STAIR STRINGER EMBED TYPICAL DETAIL

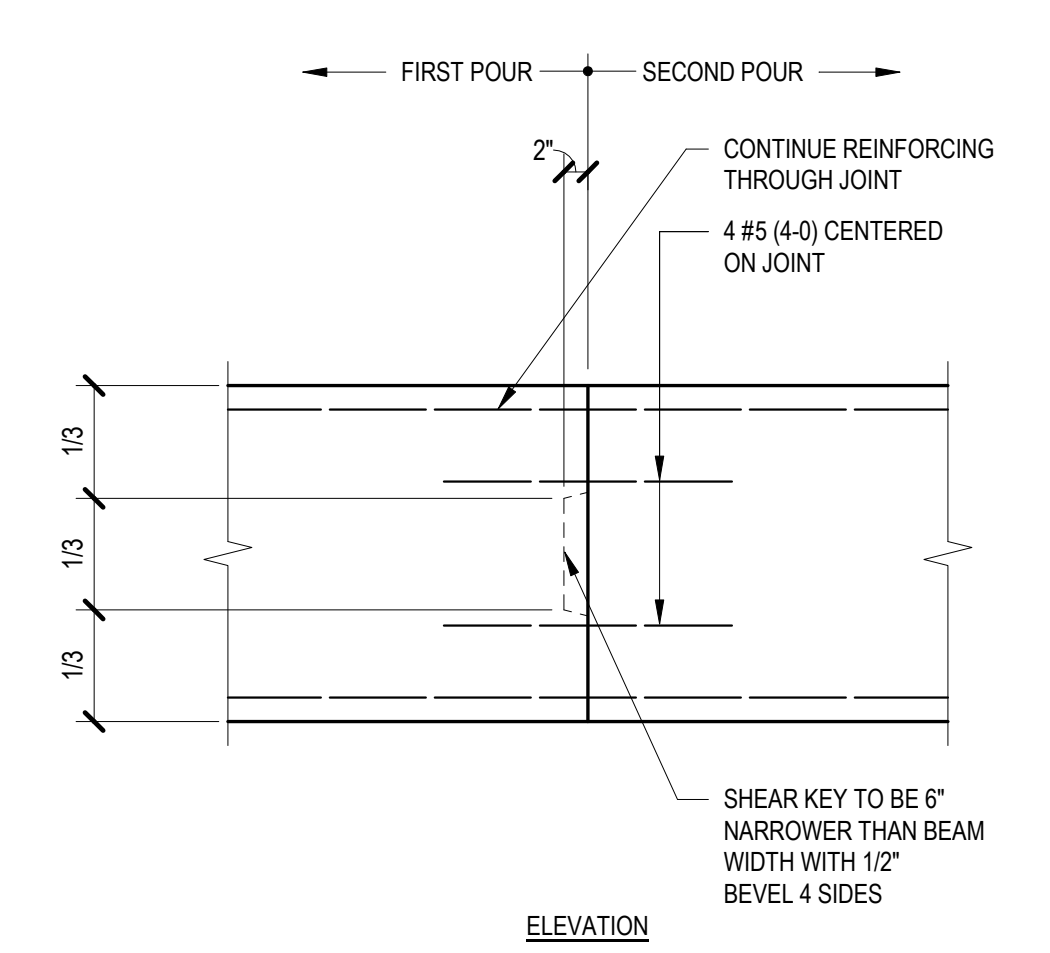
NO SCALE TD05660

SLAB ON-GRADE SCHEDULE					
SLAB THICKNESS (T)	CLEAR COVER	SLAB REINFORCING	CONSTRUCTION JOINTS SMOOTH DOWELS	TIE BARS	
5"	1 3/4"	#3 @ 18 EW	3/4" DIA X 1'-2" @ 18	#6(3-9) @ 18	
6"	2"	#3 @ 16 EW	3/4" DIA X 1'-2" @ 12	#6(3-9) @ 12	
7"	2 1/4"	#3 @ 14 EW	1" DIA X 1'-4" @ 12	#8(5-0) @ 12	
8"	2 1/2"	#4 @ 18 EW	1" DIA X 1'-4" @ 12	#8(5-0) @ 12	



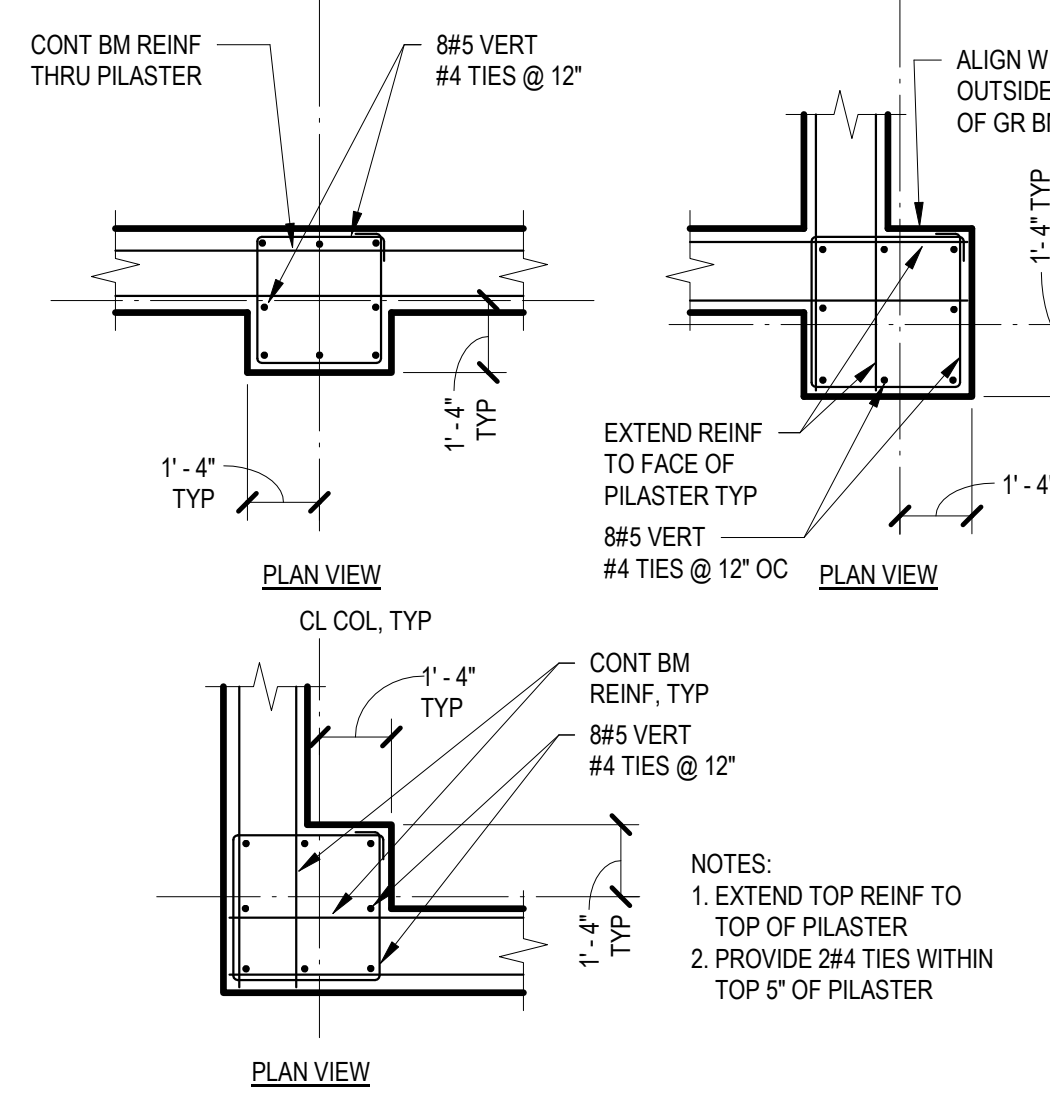
13 SLAB ON-GRADE TYPICAL DETAIL

NO SCALE TD03110



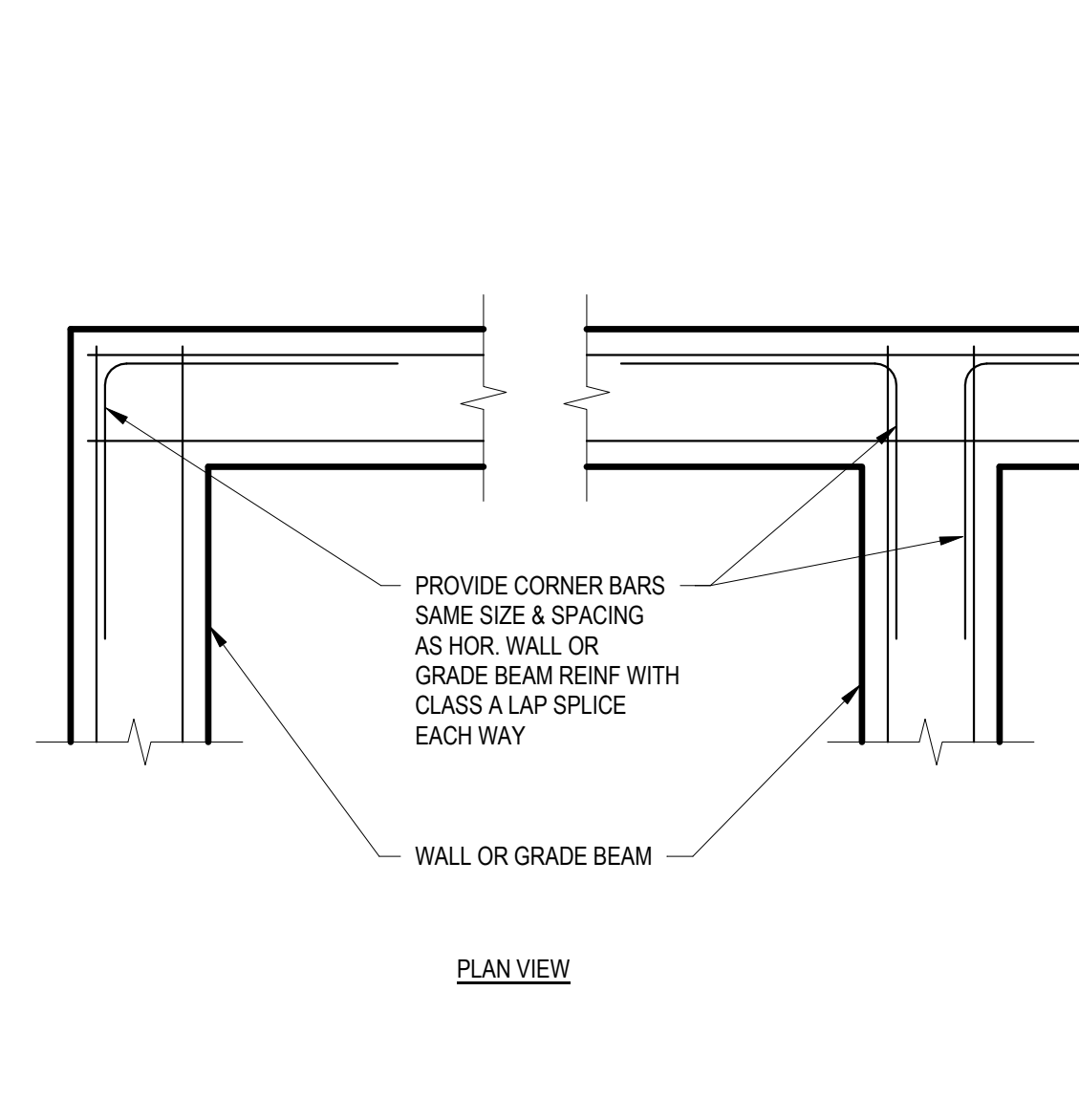
14 GRADE BM CONSTRUCTION JOINT TYPICAL DETAIL

NO SCALE TD03140



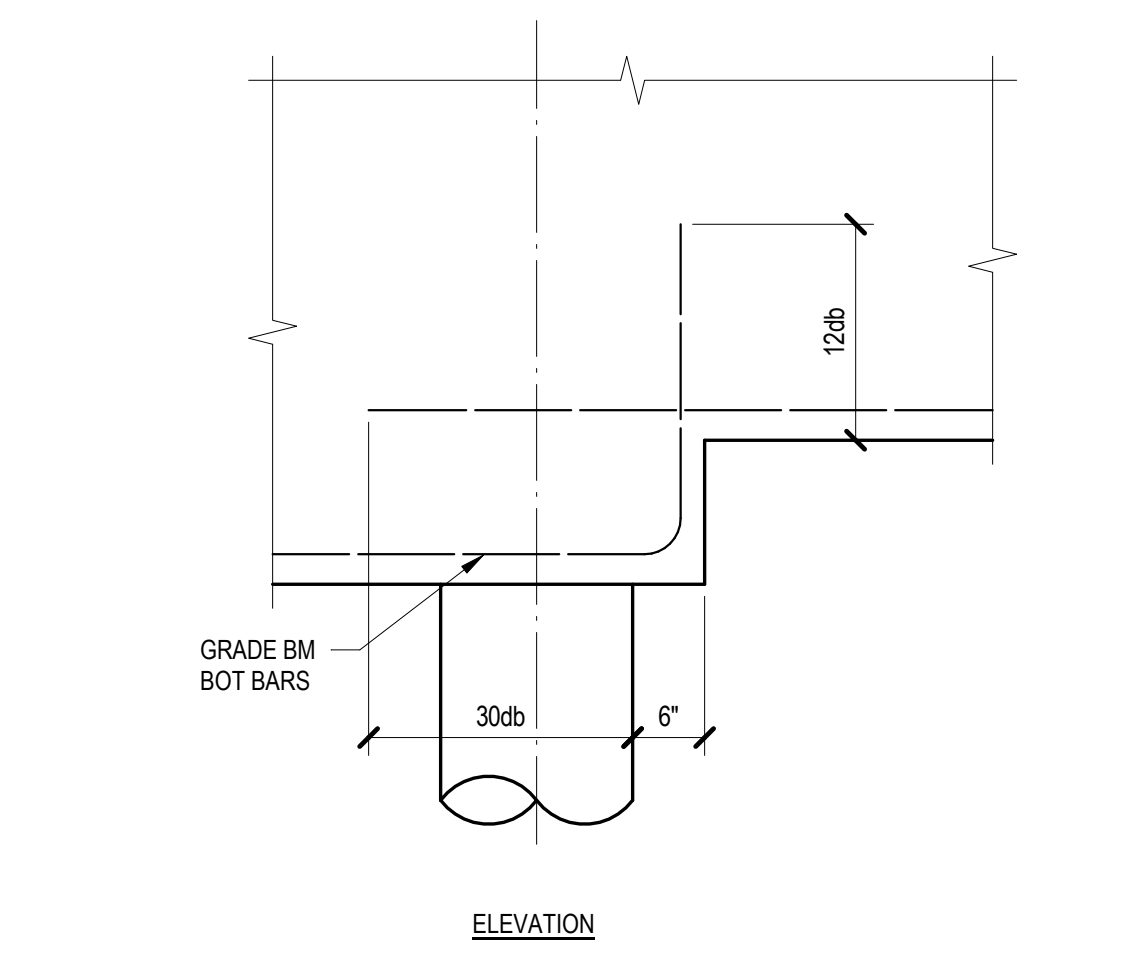
15 PLASTER REINFORCING TYPICAL DETAIL

NO SCALE TD03150



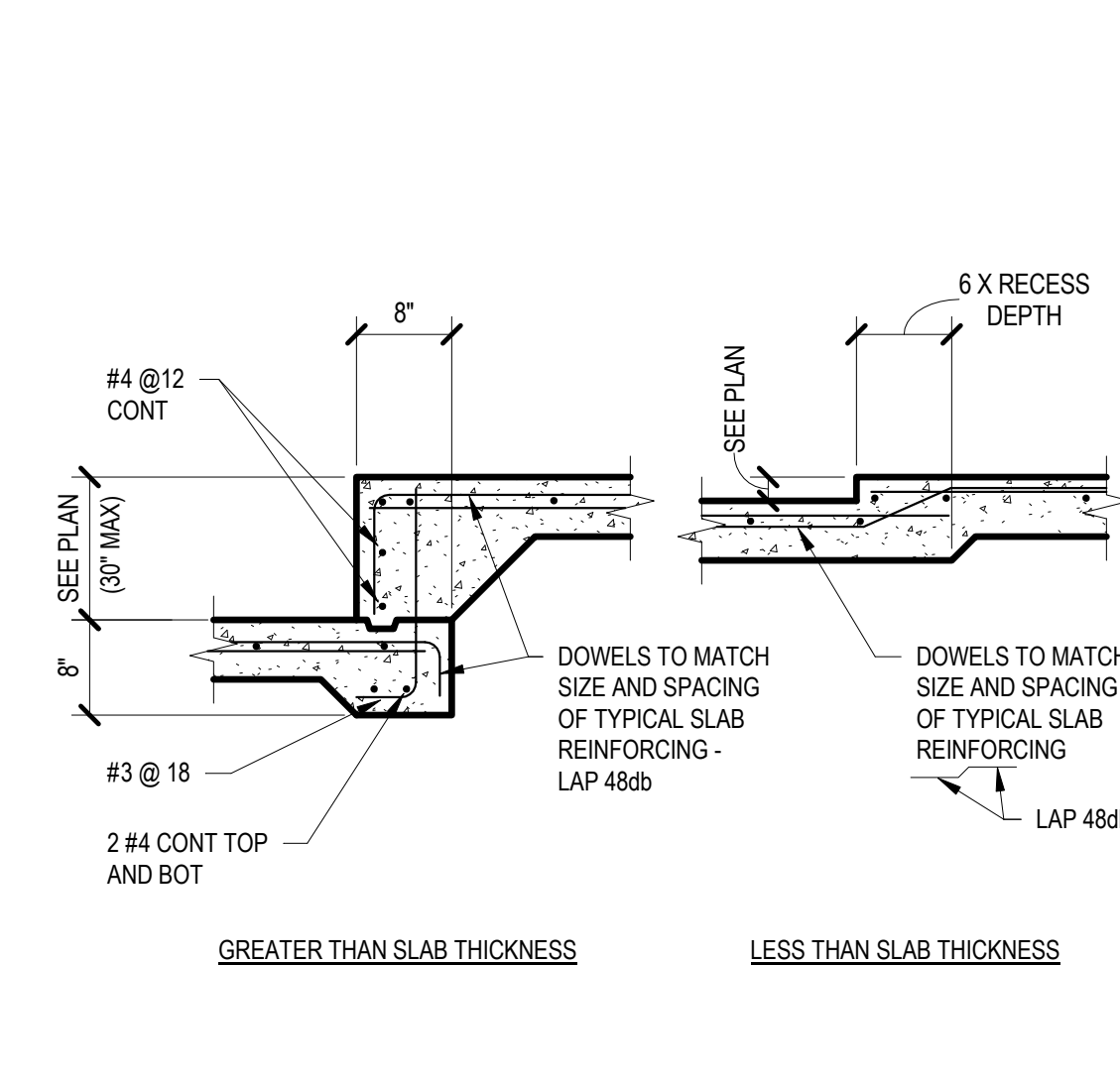
9 CORNER BARS TYPICAL DETAIL

NO SCALE TD03026



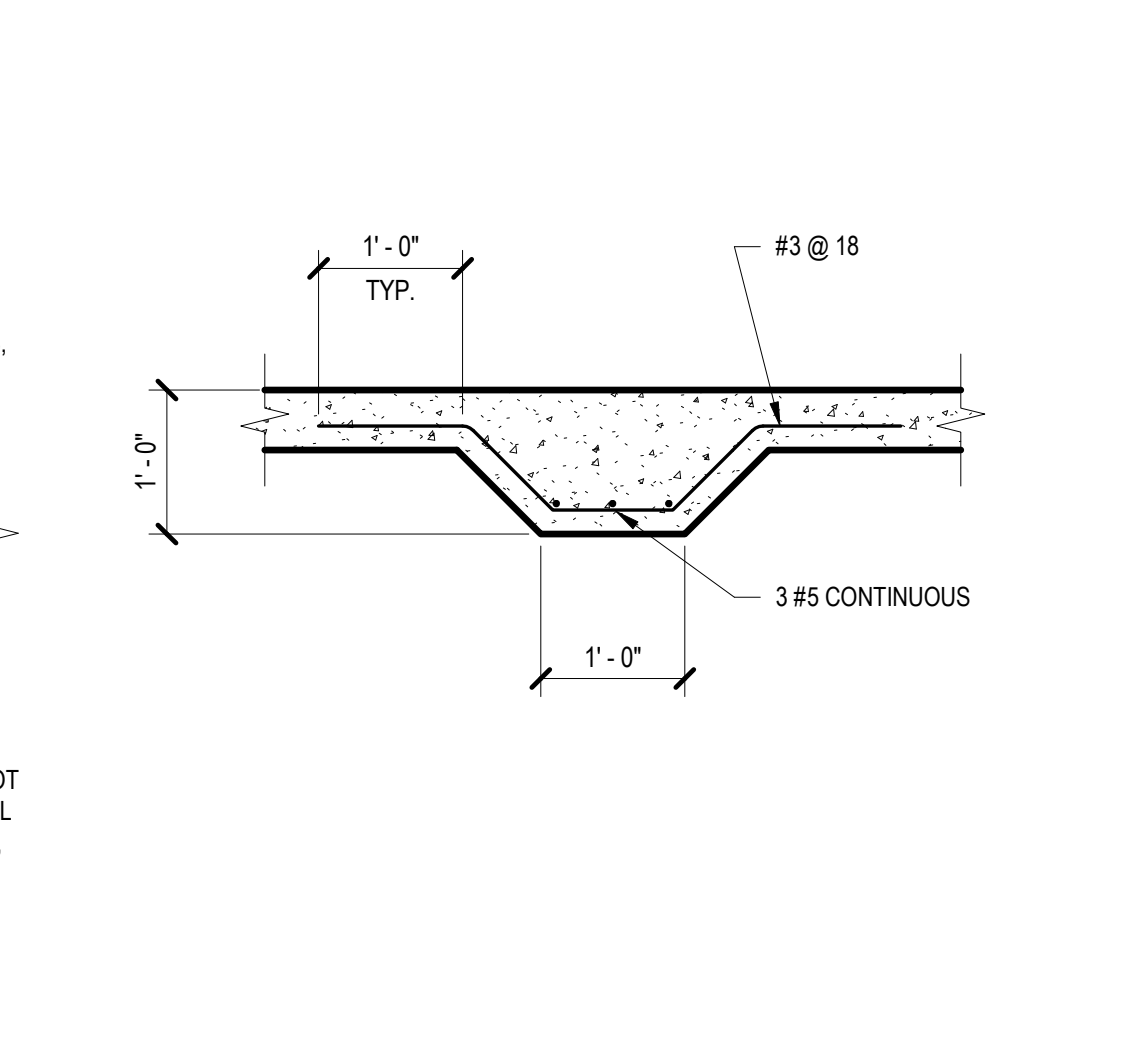
10 STEP IN GRADE BEAM TYPICAL DETAIL

NO SCALE TD03028



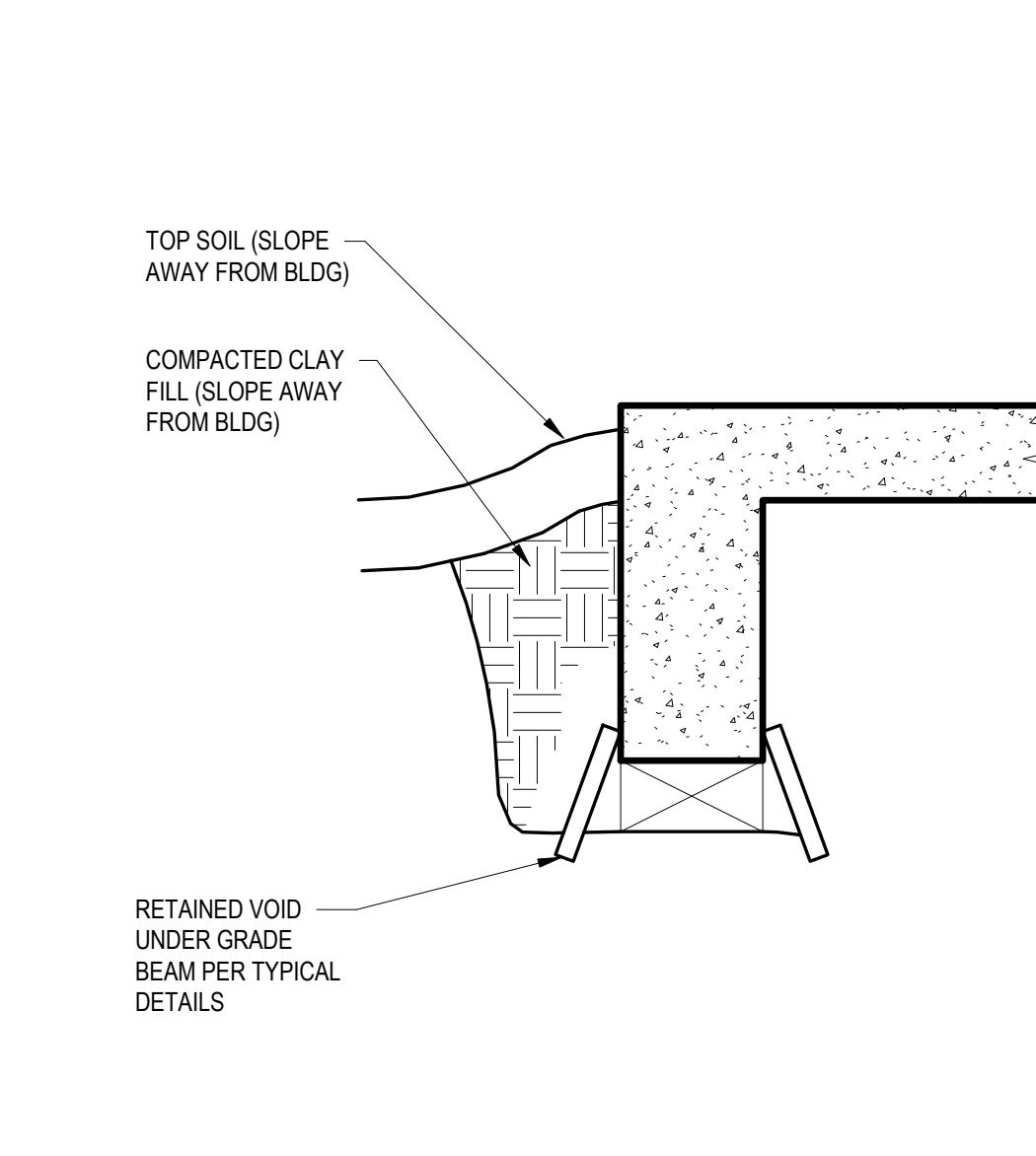
11 SLAB-ON-GRADE RECESSES TYPICAL DETAIL

NO SCALE TD03101



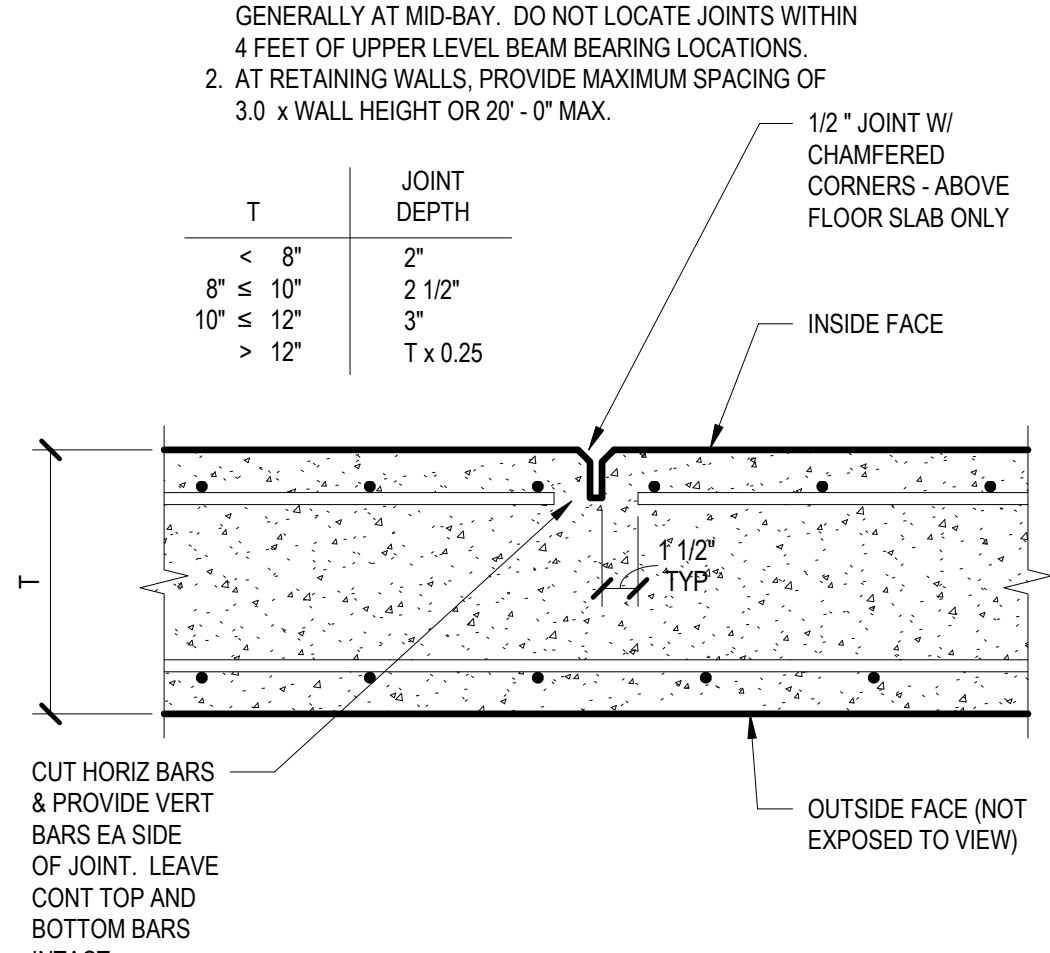
12 THICKENED SLAB TYPICAL DETAIL

NO SCALE TD03102



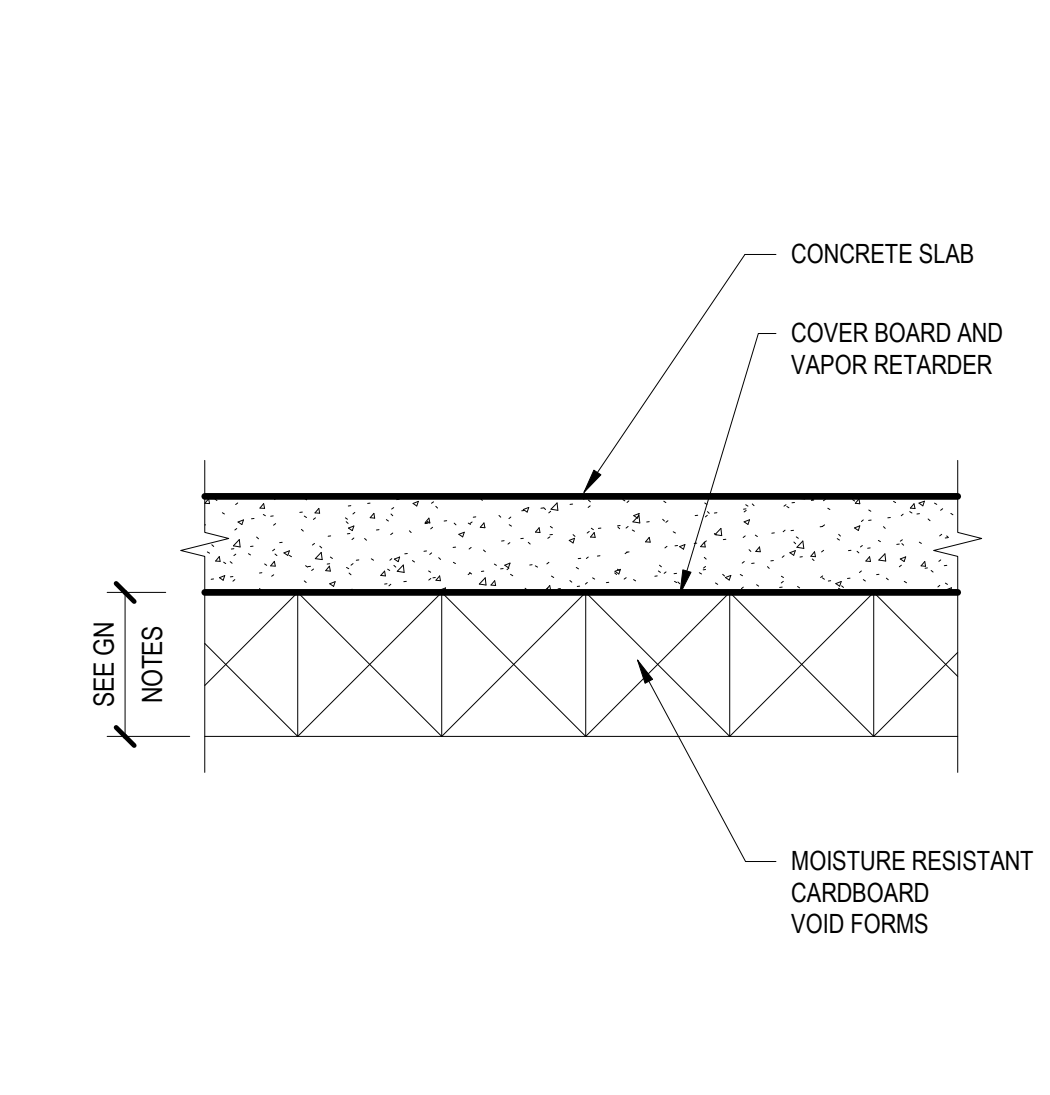
5 BACKFILL @ GRADE BEAM TYPICAL DETAIL

NO SCALE TD02420



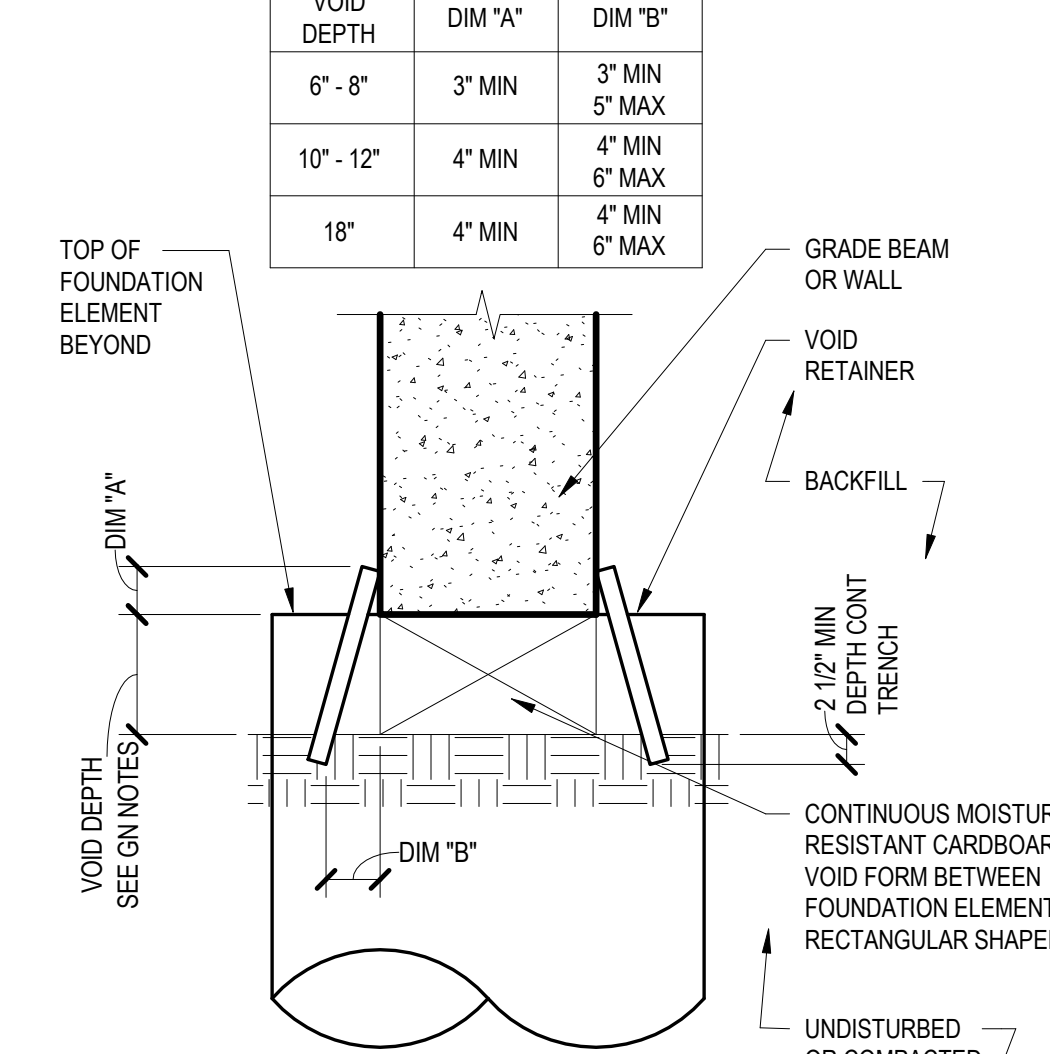
6 VERTICAL CONTROL JOINT IN BASEMENT / RETAINING WALL TYPICAL DETAIL

NO SCALE TD02440



7 VOID BOX - SLAB TYPICAL DETAIL

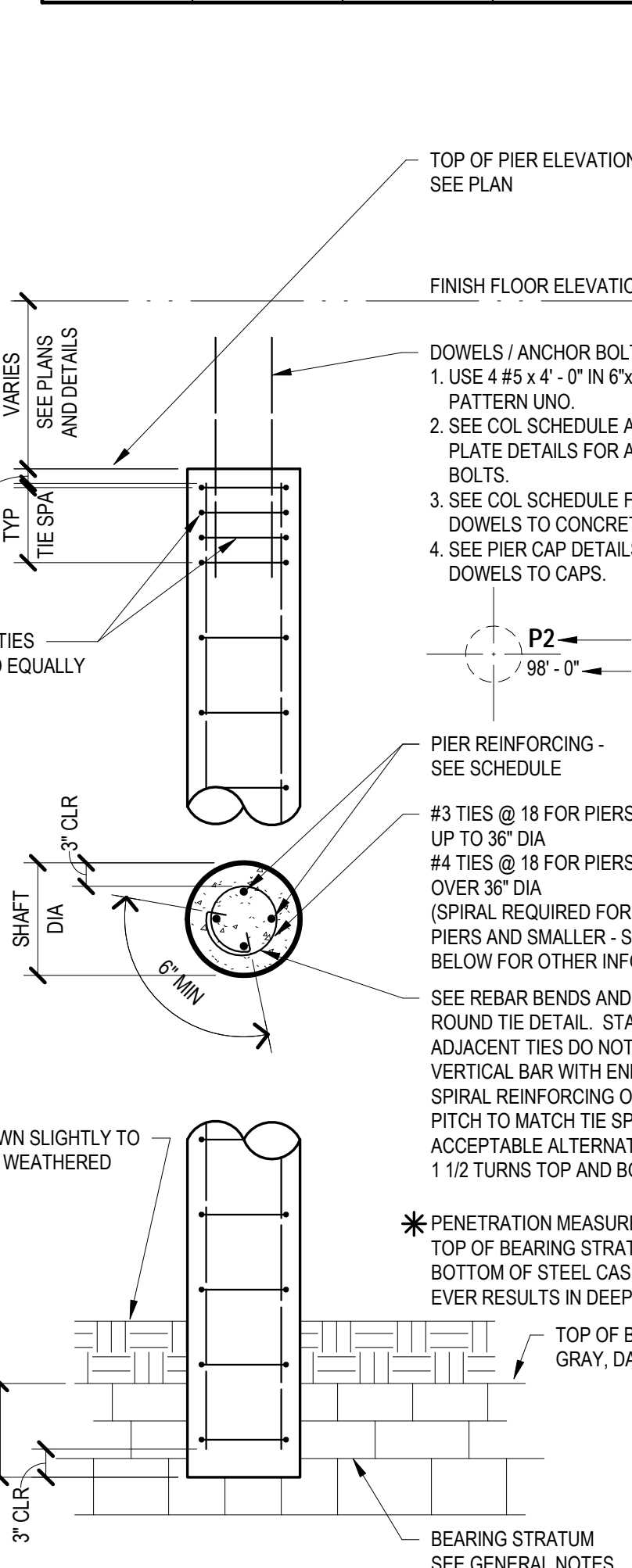
NO SCALE TD02501



8 VOID BOX - BM OR WALL TYPICAL DETAIL

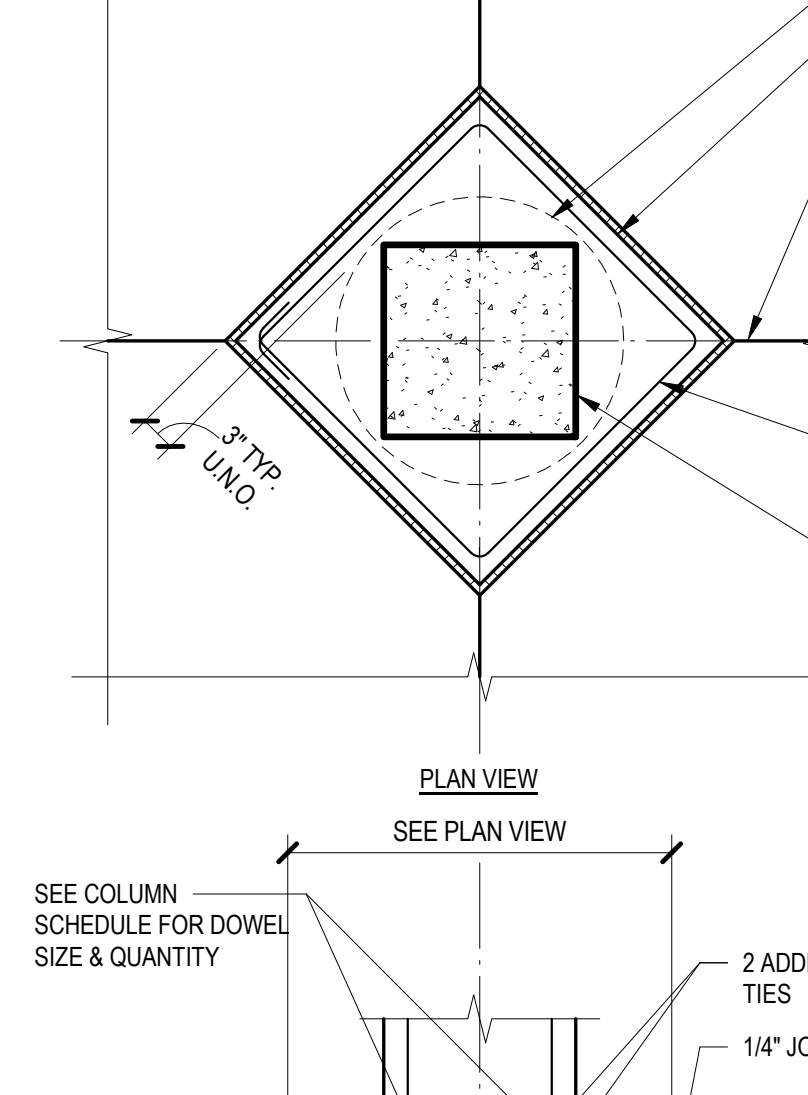
NO SCALE TD02526

STRAIGHT SHAFT DRILLED PIER SCHEDULE			
PIER MARK	SHAFT DIAMETER	VERTICAL REINF	PENETRATION
P1	18"	4 #7	2'-0"
P2	24"	6 #7	2'-0"
P3	24"	6 #7	4'-0"
P4	30"	8 #7	4'-0"



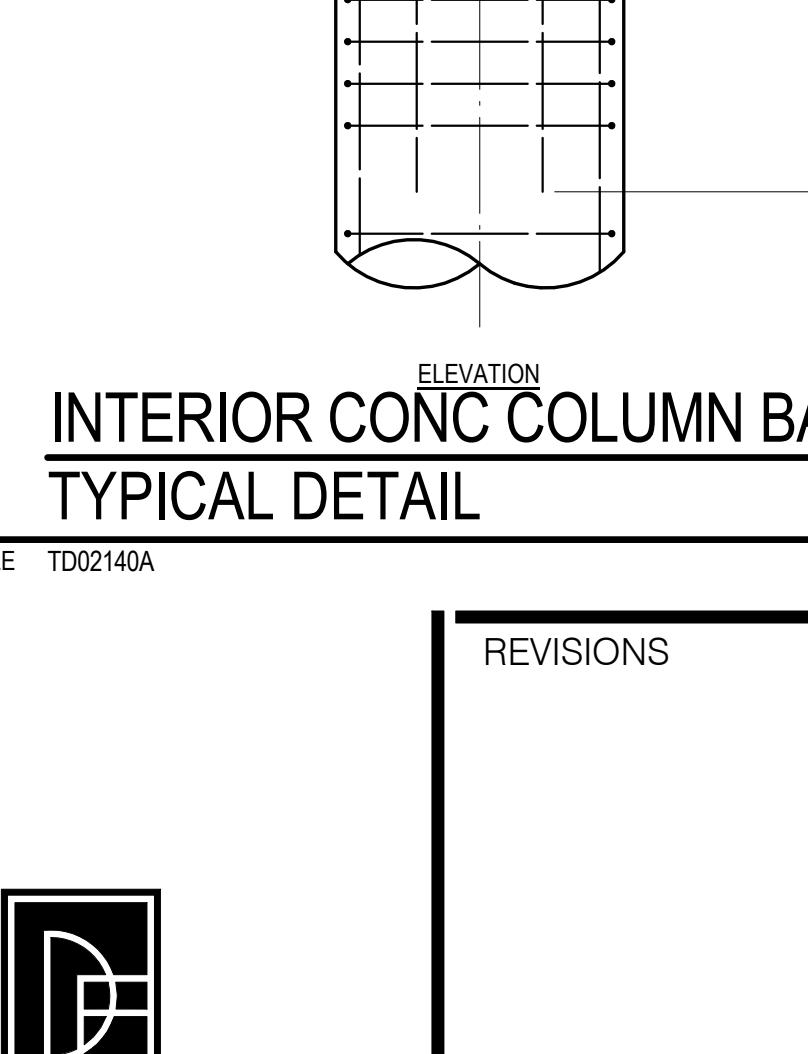
2 STRAIGHT SHAFT PIER TD02110

3/4" = 1'-0"



4 INTERIOR CONC COLUMN BASE TYPICAL DETAIL

NO SCALE TD02140A



PONCE - FUESS ENGINEERING

NO SCALE TD02526

Hahnfeld Hoffer Stanford
architects planners interiors
200 Bailey Ave., Suite 200
Fort Worth, Texas 76107
817.921.5928
817.302.0692 fax

CANNONDESIGN
1580 Wilson Boulevard, Suite 200
Arlington, Virginia 22209
T: 703.907.2300
F: 703.907.2650

CONSULTANTS
JASTER-QUINTANILLA
CIVIL ENGINEER
100 GLASS ST.
DALLAS, TEXAS 75207
TEL 972.752.9098

CAYE COOK & ASSOCIATES
LANDSCAPE ARCHITECT
12700 HILLCREST RD., SUITE 149
DALLAS, TX 75230
TEL 214.739.9105

PONCE-FUESS ENGINEERING, LLC
STRUCTURAL ENGINEER
3333 LEE PARKWAY, SUITE 475
DALLAS, TEXAS 75219
TEL 469.310.2850

PURDY-McGUIRE, INC.
MEP ENGINEER
17300 DALLAS PARKWAY, SUITE 3000
DALLAS, TEXAS 75248
TEL 972.239.5357

RICCA DESIGN STUDIOS
FOOD SERVICE CONSULTANT
5325 S VALENTIA WAY
GREENWOOD VILLAGE, COLORADO 80111
TEL 303.221.0500

LAFLEUR ASSOCIATES, LLP
LIGHTING CONSULTANT
307 HIGH STREET, SUITE D
CHESTERTOWN MARYLAND 21620
TEL 410.323.1420

WJHW, INC.
AUDIO/VISUAL CONSULTANTS
3424 MIDCOURT ROAD, SUITE 124
CARROLLTON, TEXAS 75006
TEL 972.934.3700

WISS, JANNEY, ELSTNER ASSOCIATES, INC.
BUILDING ENVELOPE CONSULTANT
6363 N. STATE HIGHWAY 161, SUITE 550
IRVING, TEXAS 75038
TEL 972.550.7777



TEXAS WOMENS UNIVERSITY
HUBBARD HALL
ADDITION AND RENOVATION
- STUDENT UNION
DENTON, TEXAS

PROJECT #: 16032-00 MANAGER: PFE
ISSUED FOR: 100% CD DRAFTER: PFE
DATE: NOVEMBER 30, 2017 CHECKED: PFE

TYPICAL CONCRETE DETAILS

SHEET
S3-1
OF SHEETS