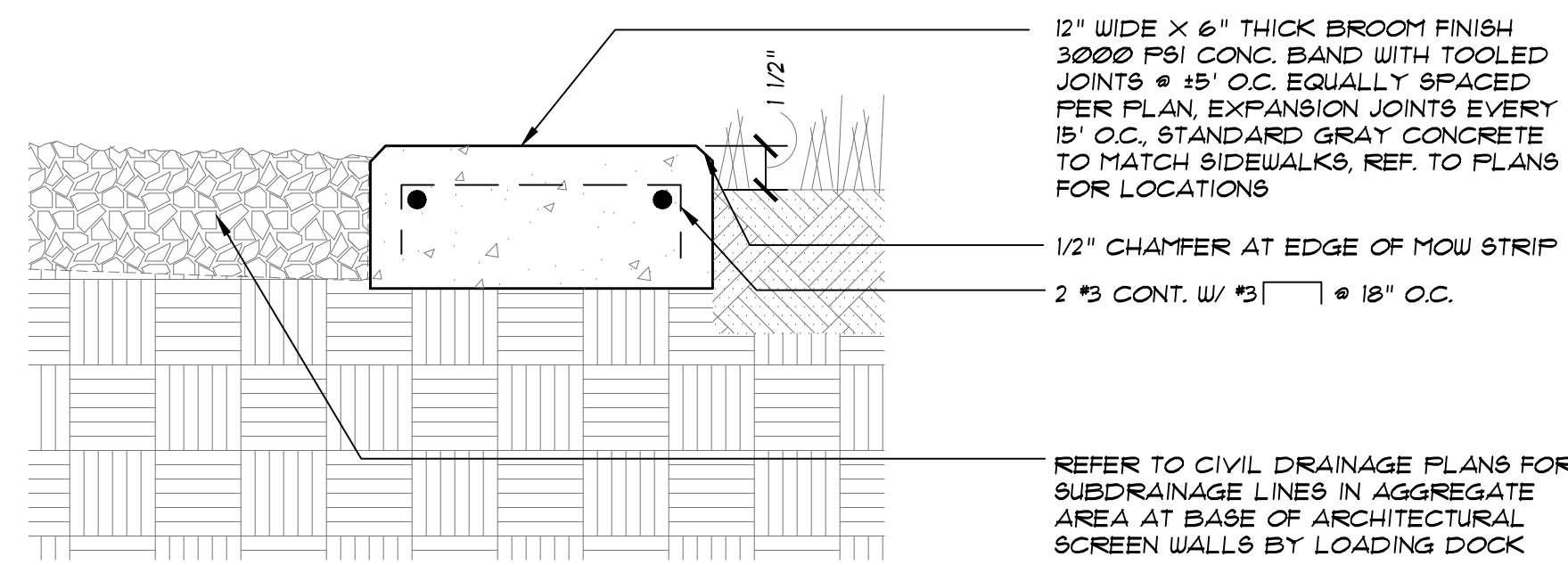
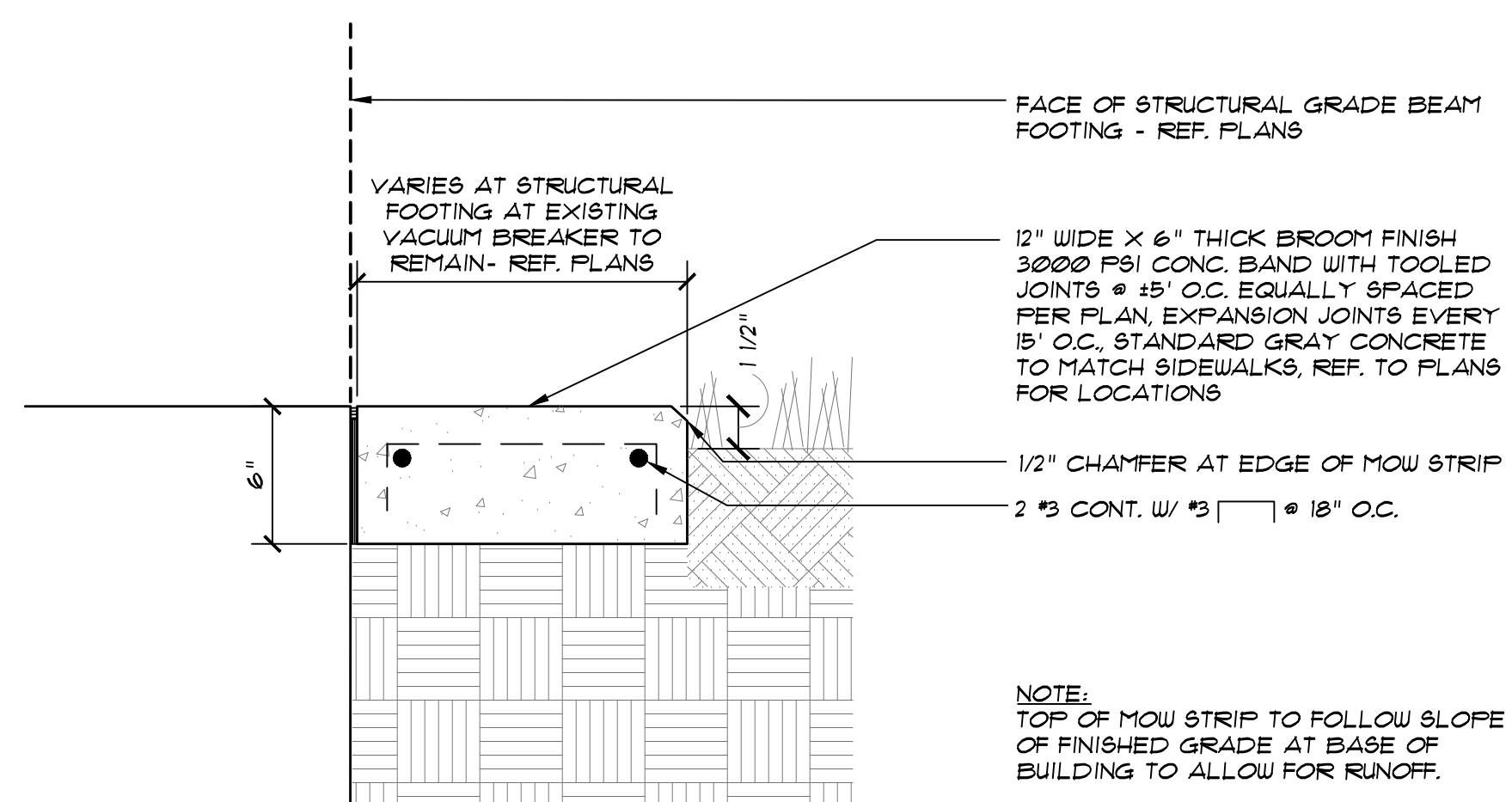


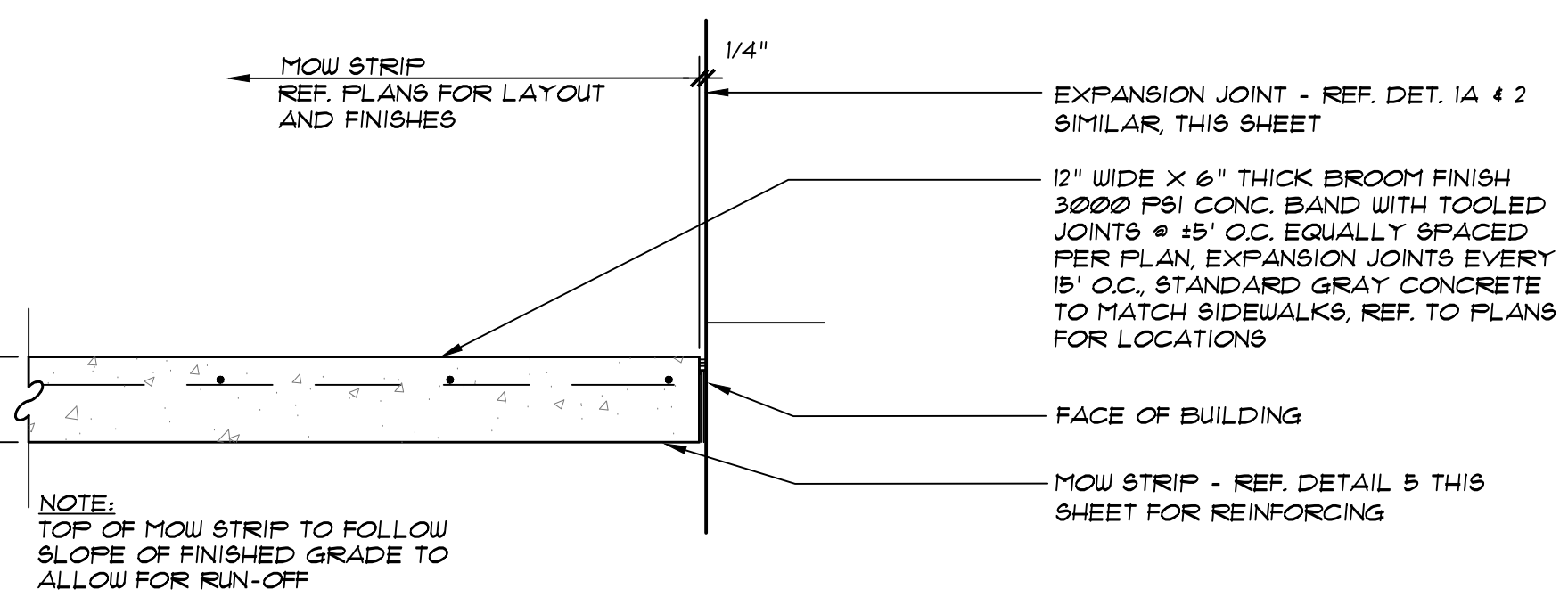
12 TURF BED AT MOW STRIP AT MULCH BED - SECTION  
NTS



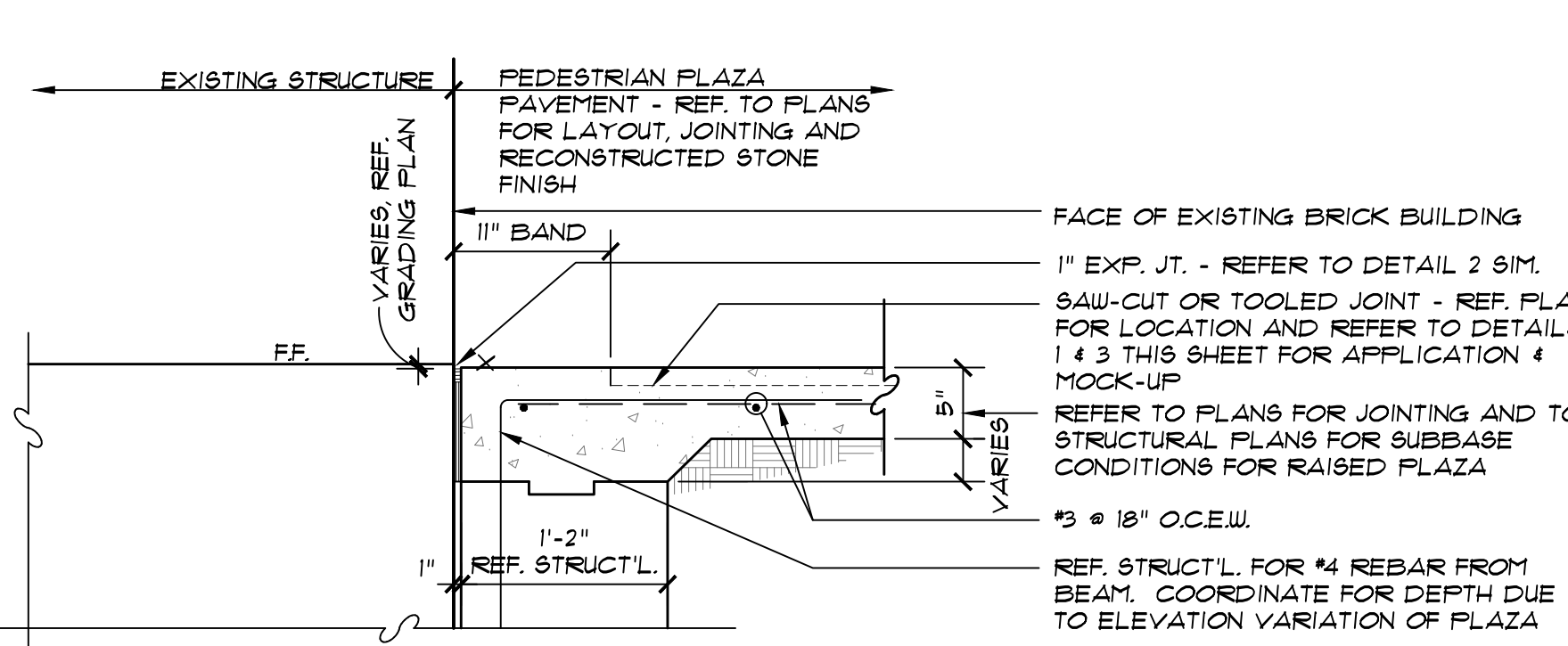
13 AGGREGATE AT MOW STRIP AT TURF BED - SECTION  
NTS



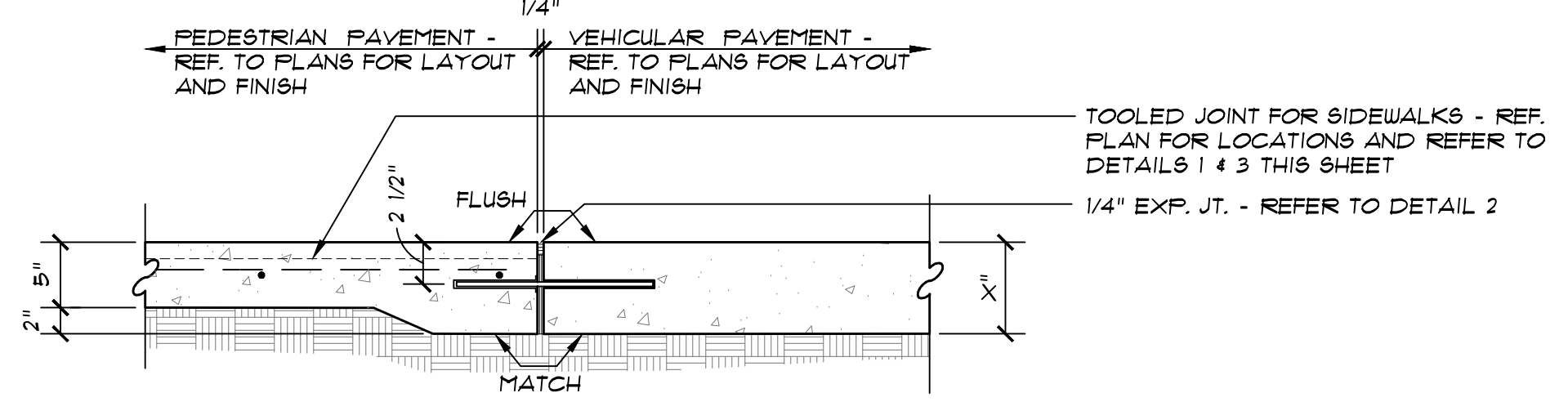
14 BUILDING AT MOW STRIP AT TURF (IF APPLYS) - SECTION  
NTS



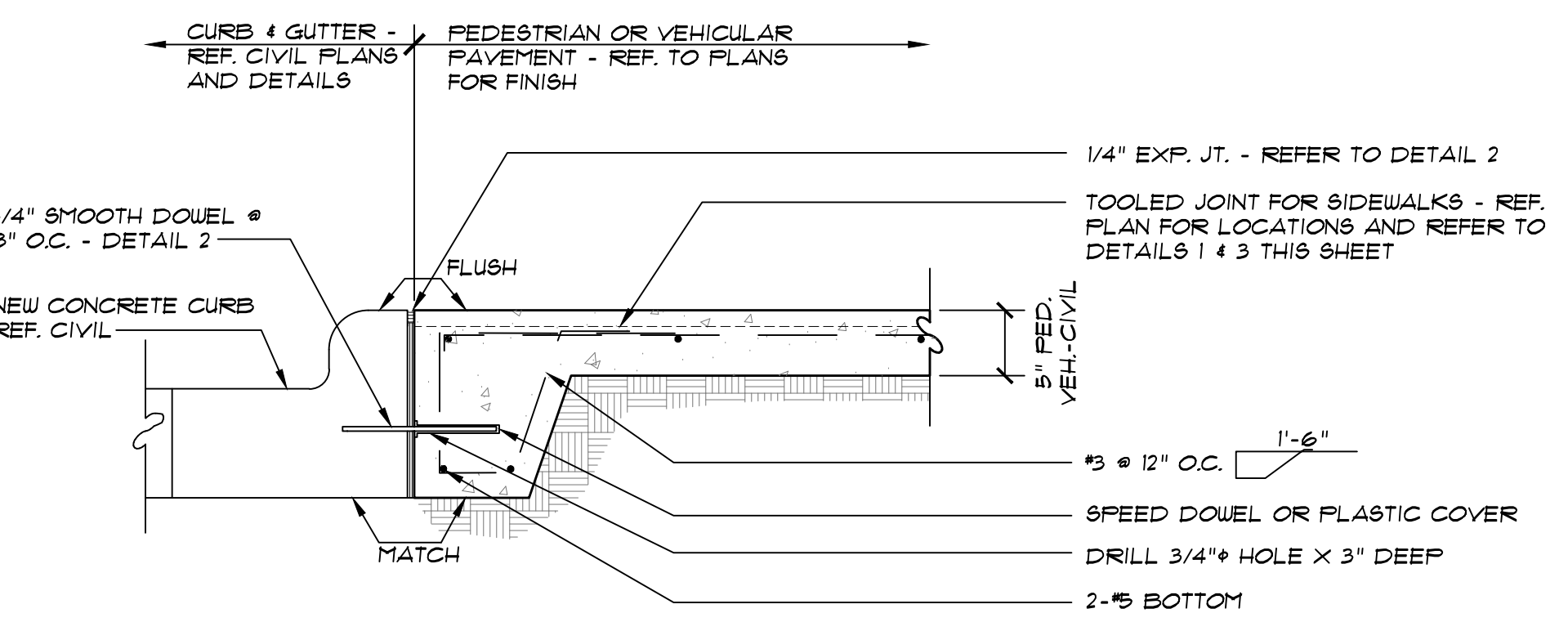
15 CONC. MOW STRIP PERPENDICULAR TO BLDG. - SECTION  
1\"/>



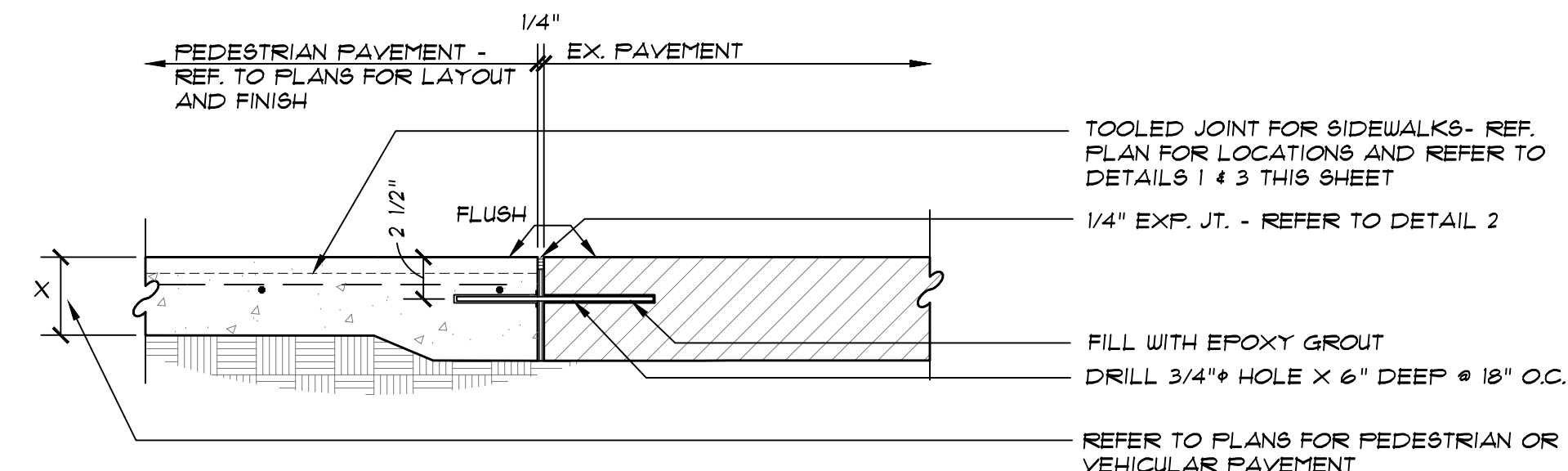
16 EXISTING BUILDING AT BEAM AT PAVEMENT - SECTION  
1\"/>



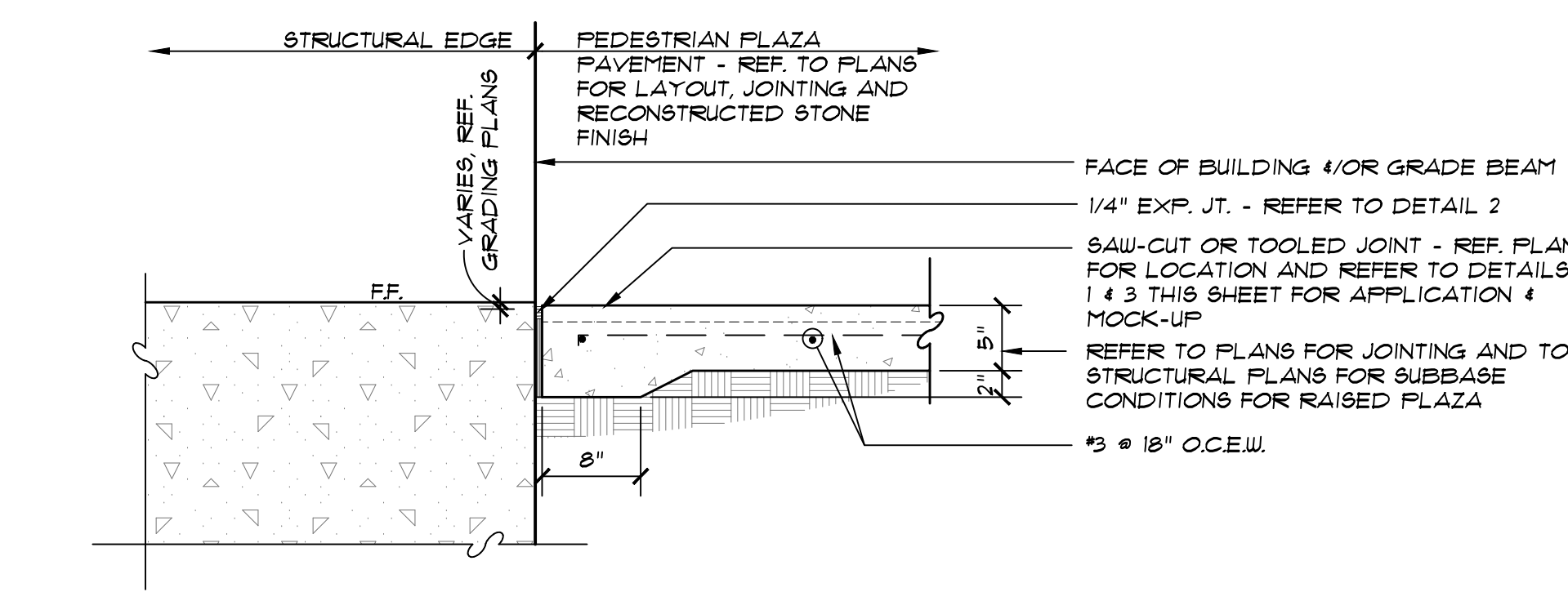
6 CONCRETE PEDESTRIAN AT VEHICULAR PVMT. - SECTION  
1\"/>



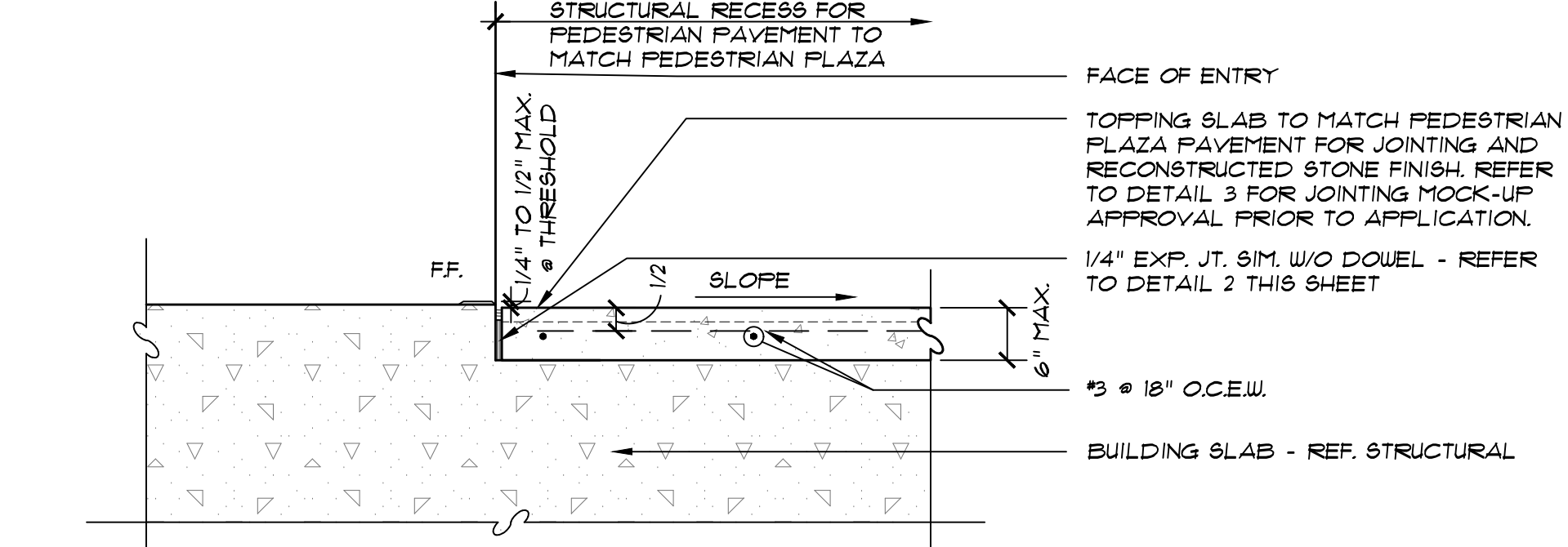
7 CURB AT PEDESTRIAN PAVEMENT - SECTION  
1\"/>



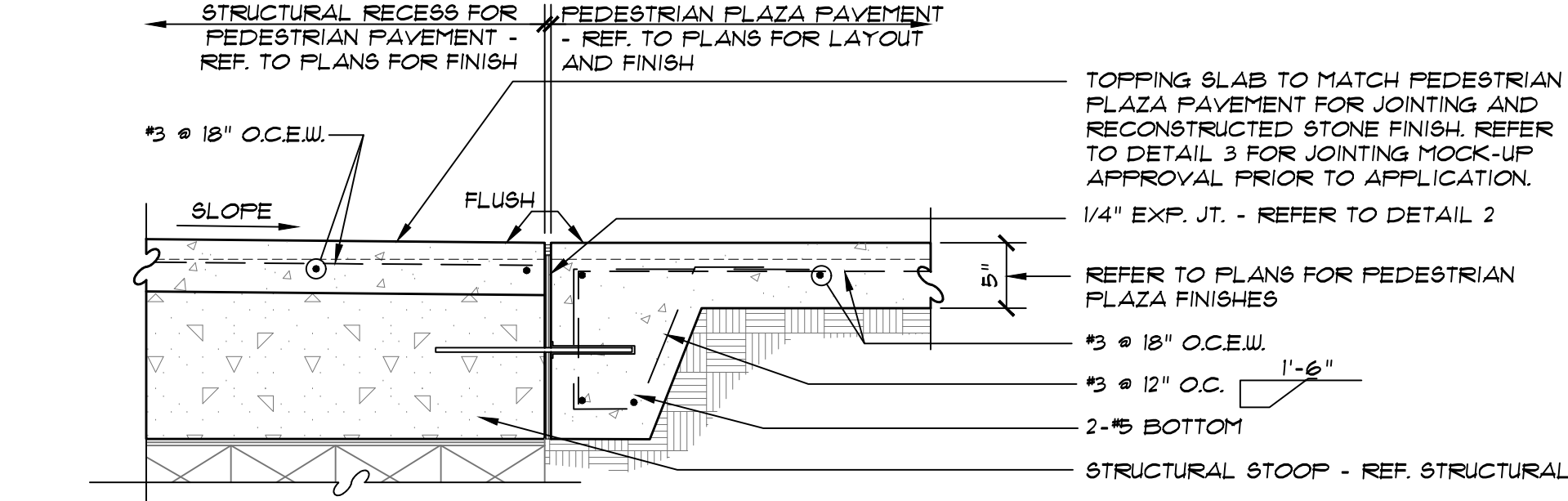
8 CONCRETE PEDESTRIAN PVMT. AT EXIST. PVMT. - SECT.  
1\"/>



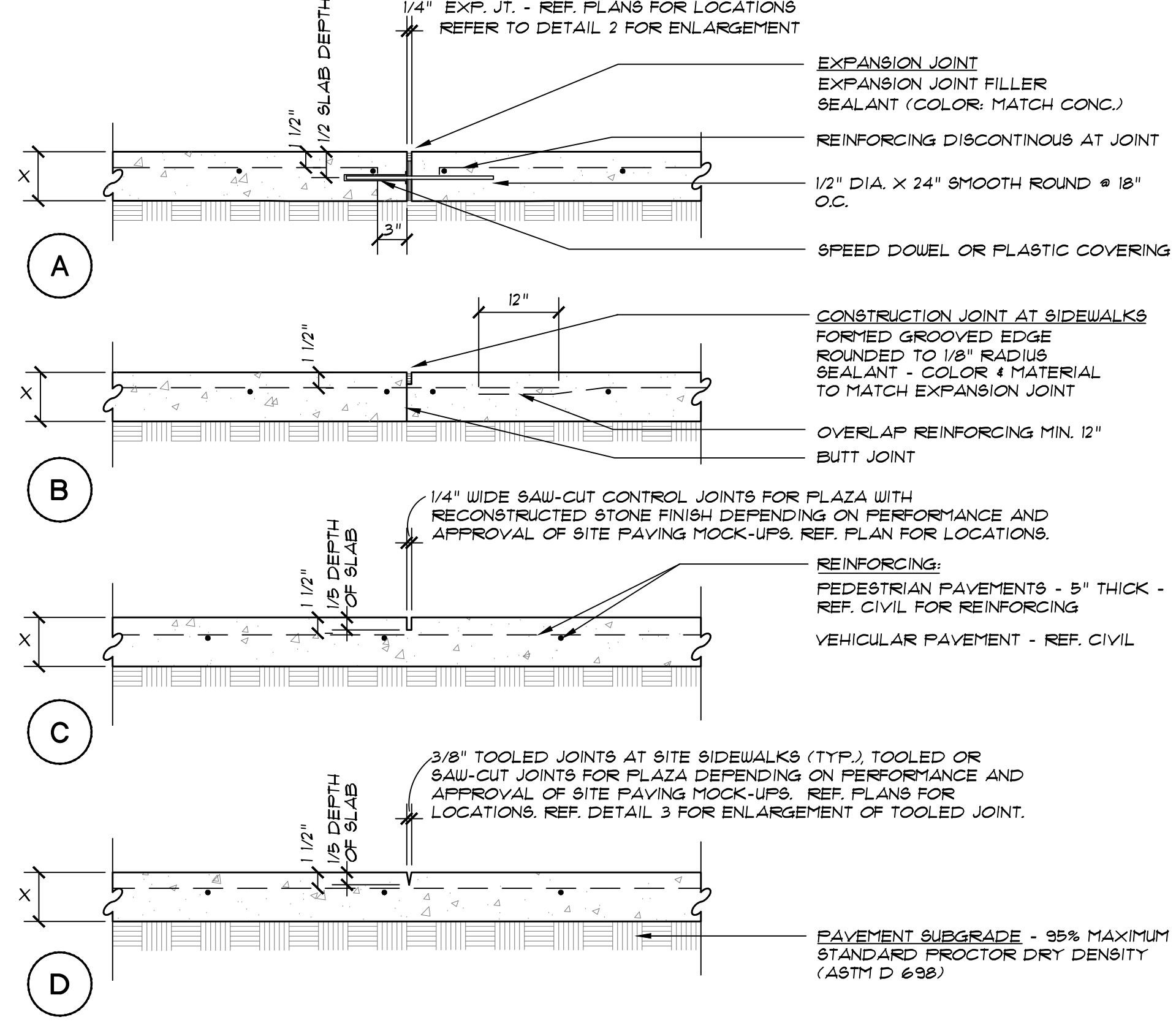
9 STRUCTURAL BUILDING SLAB AT PAVEMENTS - SECTION  
1\"/>



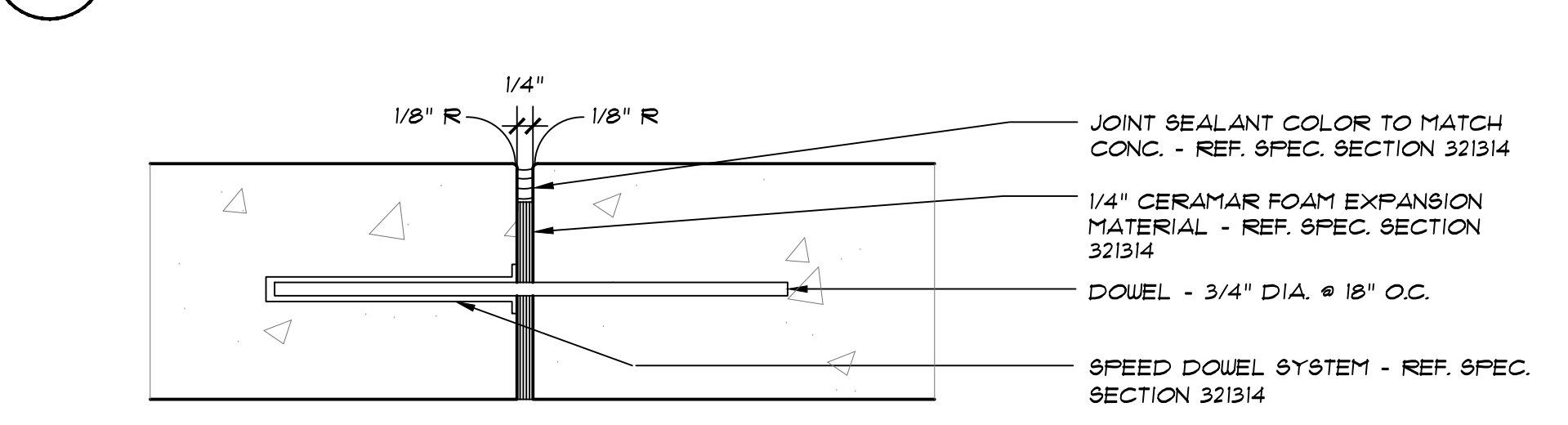
10 CONC. PVMT. AT STRUCT. RECESS AT ENTRY - SECTION  
1\"/>



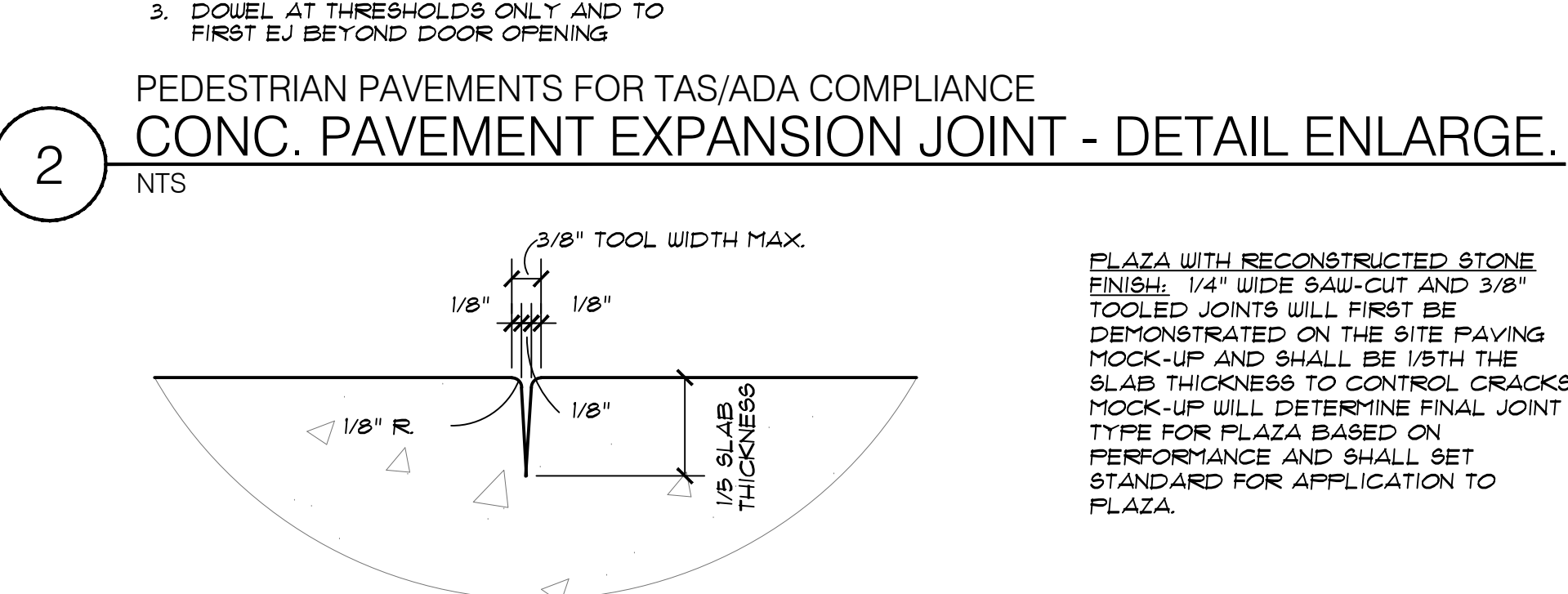
11 CONCRETE PED. PVMT. AT STRUCT'L. STOOP - SECT.  
1\"/>



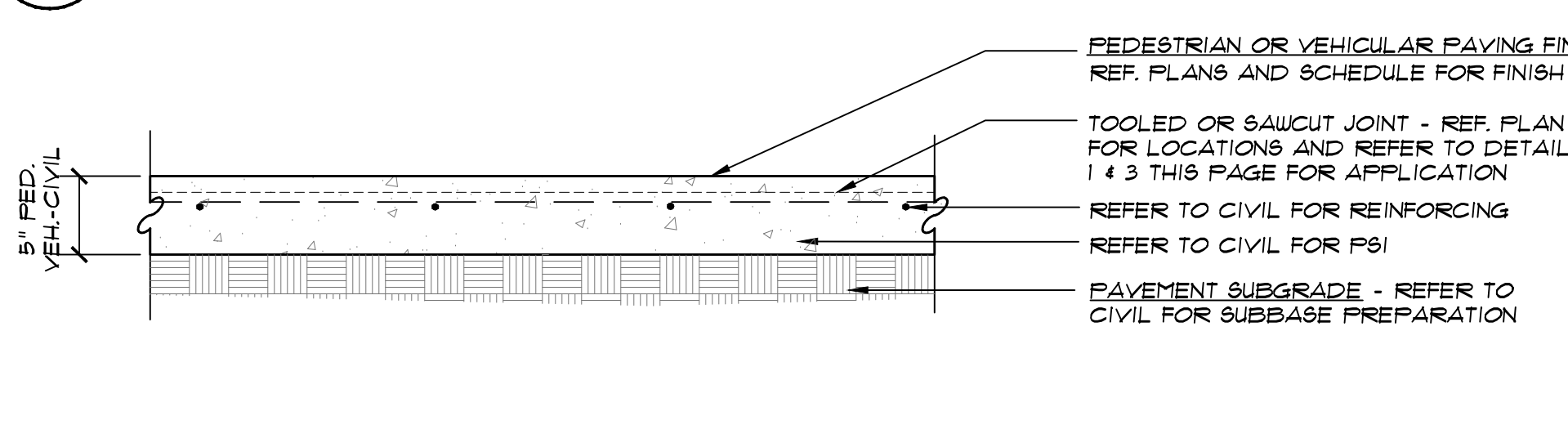
1 PEDESTRIAN PAVEMENTS FOR TAS/ADA COMPLIANCE CONCRETE PAVING JOINT CONDITIONS - SECTIONS  
1\"/>



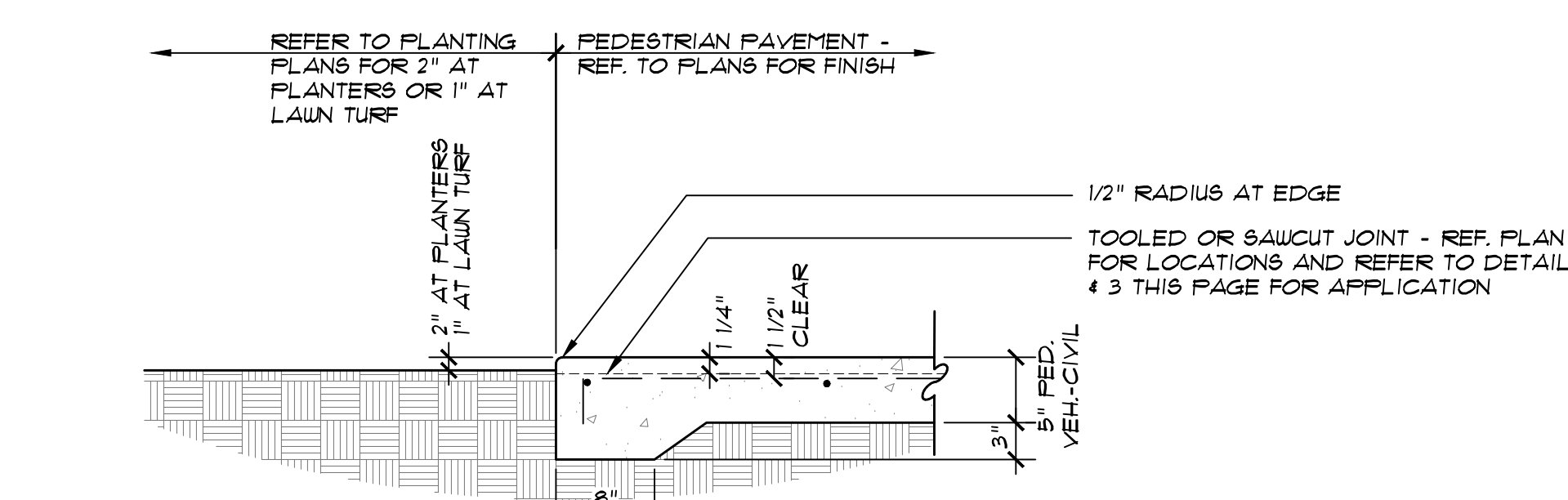
2 PEDESTRIAN PAVEMENTS FOR TAS/ADA COMPLIANCE CONC. PAVEMENT EXPANSION JOINT - DETAIL ENLARGE.  
NTS



3 PEDESTRIAN PAVEMENTS FOR TAS/ADA COMPLIANCE CONCRETE PAVEMENT TOOLED JOINT - DETAIL ENLARGE.  
NTS



4 PEDESTRIAN PAVEMENTS FOR TAS/ADA COMPLIANCE CONCRETE PAVEMENT - SECTION  
1\"/>



5 CONC. PAVEMENT AT TURF/PLANTING TURNDOWN- SECT.  
1\"/>

REVISIONS

NO.	DESCRIPTION	DATE

**Hahnfeld Hoffer Stanford**  
architectplannerinteriors  
200 Bailey Ave., Suite 200  
Fort Worth, Texas 76107  
817.921.5928  
817.302.0692 fax

**CANNONDESIGN**  
1560 Wilson Boulevard, Suite 200  
Arlington, Virginia 22209  
T: 703.907.2300  
F: 703.907.2950

- CONSULTANTS
- JASTER-QUINTANILLA  
CIVIL ENGINEER  
100 GLASS ST.  
DALLAS, TEXAS 75207  
TEL. 972.752.9098
  - CAYE COOK & ASSOCIATES  
LANDSCAPE ARCHITECT  
12700 HILLCREST RD., SUITE 149  
DALLAS, TX 75230  
TEL. 214.739.9105
  - PONCE-FUJES ENGINEERING, LLC  
STRUCTURAL ENGINEER  
3333 LEE PARKWAY, SUITE 475  
DALLAS, TEXAS 75219  
TEL. 469.310.2850
  - PURDY-McGUIRE, INC.  
MEP ENGINEER  
17300 DALLAS PARKWAY, SUITE 3000  
DALLAS, TEXAS 75248  
TEL. 972.239.5357
  - RICCA DESIGN STUDIOS  
FOOD SERVICE CONSULTANT  
5325 S VALENTIA WAY  
GREENWOOD VILLAGE, COLORADO 80111  
TEL. 303.221.0500
  - LAFLEUR ASSOCIATES LLC  
LIGHTING CONSULTANT  
307 HIGH STREET, SUITE D  
CHESTERTOWN, MARYLAND 21620  
TEL. 443.929.2310
  - WJHW, INC.  
AUDIOVISUAL CONSULTANTS  
3424 MIDCOURT ROAD, SUITE 124  
CARROLLTON, TEXAS 75006  
TEL. 972.934.3700
  - WISS, JANNEY, ELSTNER ASSOCIATES, INC.  
BUILDING ENVELOPE CONSULTANT  
6363 N. STATE HIGHWAY 161, SUITE 550  
IRVING, TEXAS 75038  
TEL. 972.550.7777



**TEXAS WOMAN'S UNIVERSITY**  
**HUBBARD HALL**  
**ADDITION AND RENOVATION**  
**- STUDENT UNION**  
**DENTON, TEXAS**

PROJECT #: 16032-00 MANAGER: LSW  
ISSUED FOR: 100% CD DRAFTER: LSW  
DATE: NOVEMBER 30, 2017 CHECKED: RCC

Hardscape  
Details

ASB/THW/Hubbard Hall\_2017/THWHH\_H17\_ARCH\_NEW\_CENTRAL.rvt  
© 2017 3/23/2017 PM