

CONSULTANTS

JASTER-QUINTANILLA  
CIVIL ENGINEER  
100 GLASS ST.  
DALLAS, TEXAS 75207  
TEL 972.752.9098

CAYE COOK & ASSOCIATES  
LANDSCAPE ARCHITECT  
12700 HILLCREST RD, SUITE 149  
DALLAS, TX 75230  
TEL 214.739.9105

PONCE-FUOSS ENGINEERING, LLC  
STRUCTURAL ENGINEER  
3333 LEE PARKWAY, SUITE 475  
DALLAS, TEXAS 75219  
TEL 469.310.2850

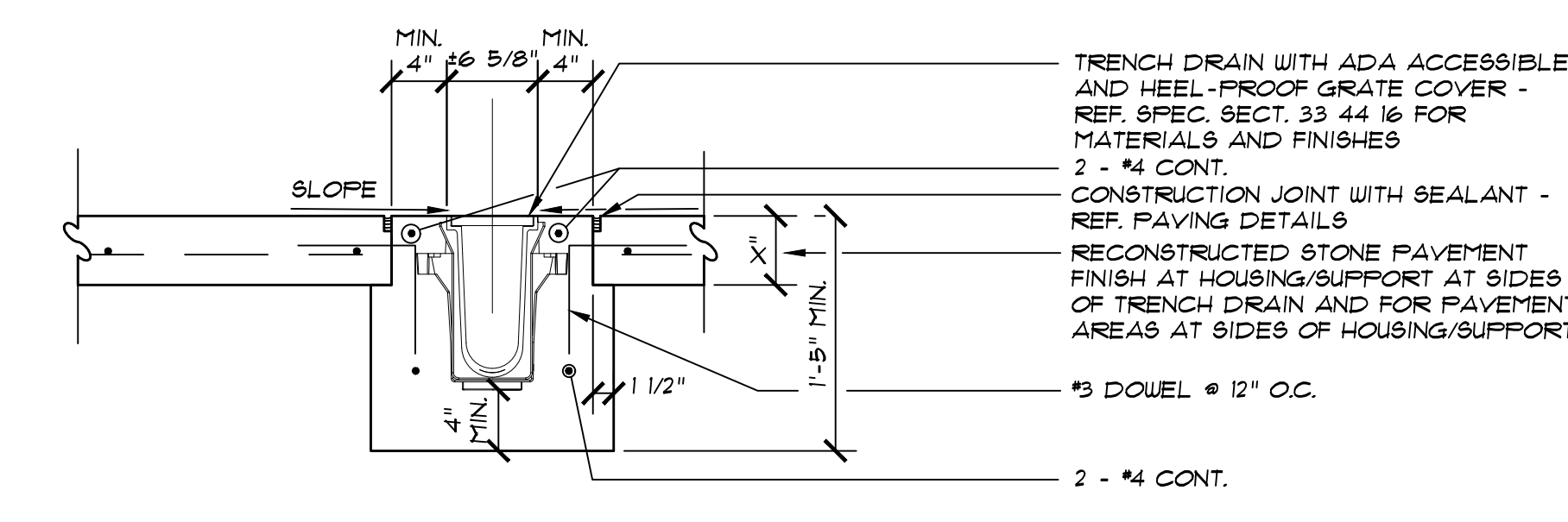
PURDY-McGUIRE, INC.  
MEP ENGINEER  
17300 DALLAS PARKWAY, SUITE 3000  
DALLAS, TEXAS 75248  
TEL 972.239.5357

RICCA DESIGN STUDIOS  
FOOD SERVICE CONSULTANT  
5325 S VALENTIA WAY  
GREENWOOD VILLAGE, COLORADO 80111  
TEL 303.221.0500

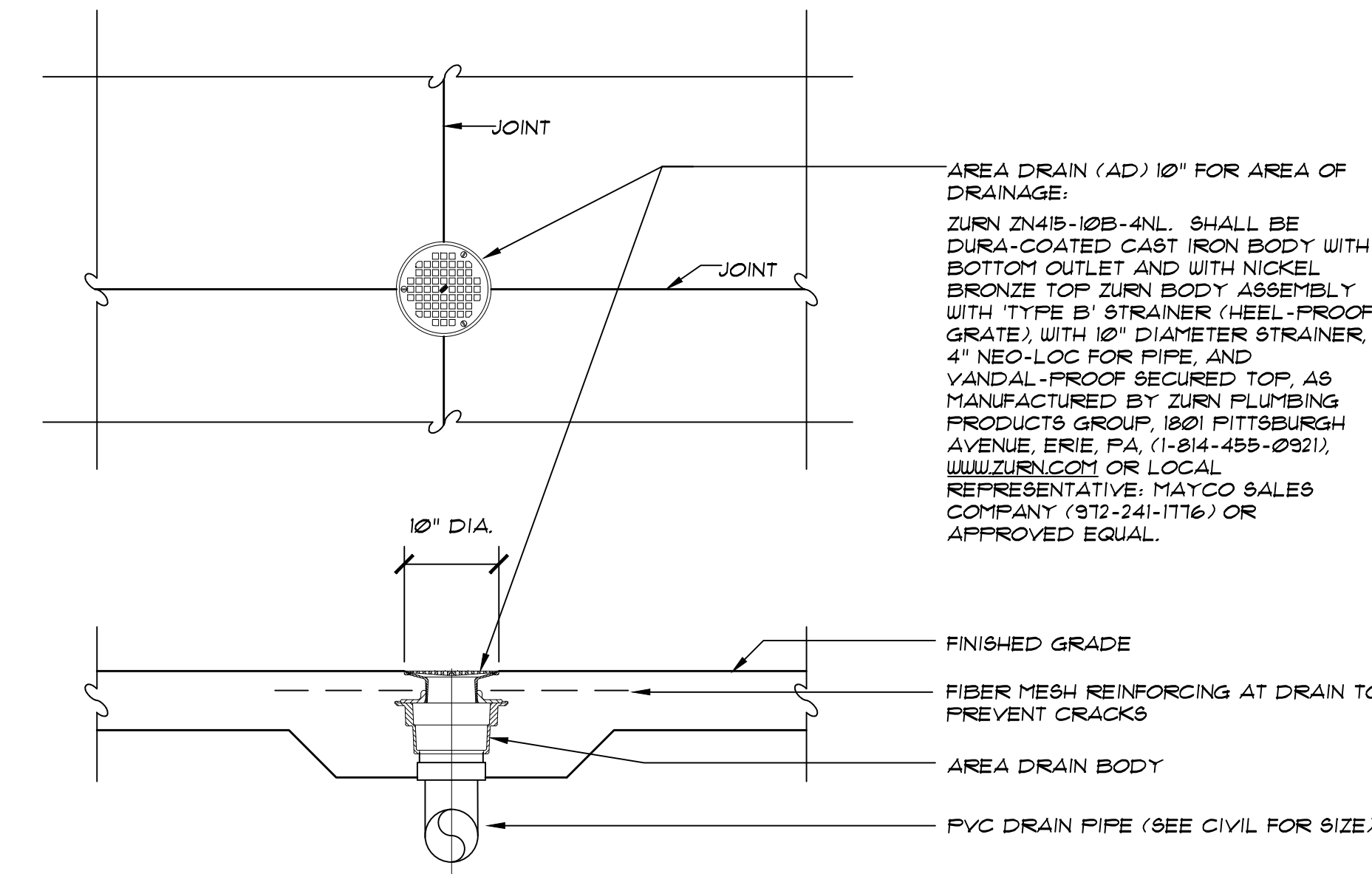
LAFLEUR ASSOCIATES LLC  
LIGHTING CONSULTANT  
307 HIGH STREET, SUITE D  
CHESTERTOWN, MARYLAND 21620  
TEL 443.929.2310

WJHW, INC.  
AUDIOVISUAL CONSULTANTS  
3424 MIDCOURT ROAD, SUITE 124  
CARROLLTON, TEXAS 75006  
TEL 972.934.3700

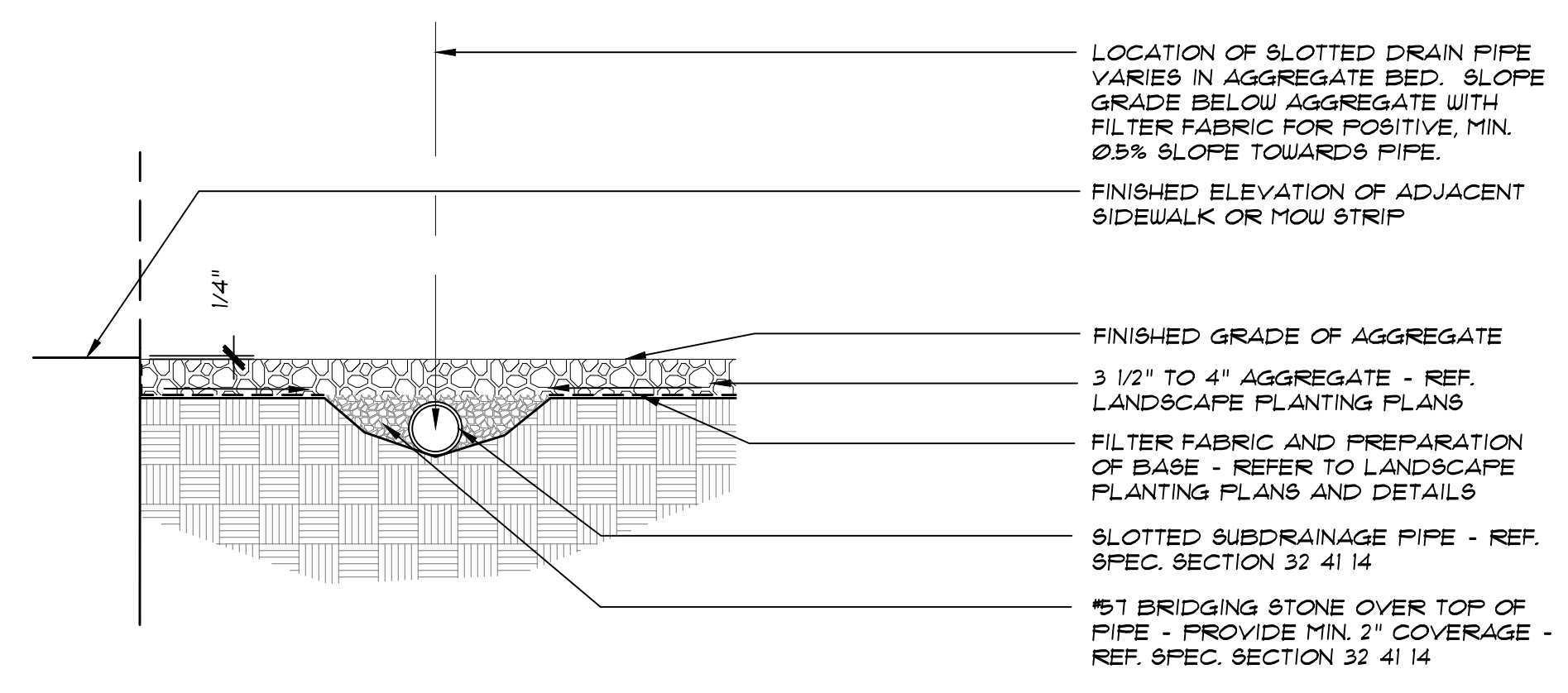
WISS, JANNEY, ELSTNER ASSOCIATES, INC.  
BUILDING ENVELOPE CONSULTANT  
6363 N. STATE HIGHWAY 161, SUITE 550  
IRVING, TEXAS 75038  
TEL 972.550.777



1 TRENCH DRAIN (TD) AT PLAZA PAVING - SECTION  
1" = 1'-0"



2 AREA DRAIN (AD) AT PLAZA PAVING - SECTION  
1" = 1'-0"



3 SUBDRAINAGE AT AGGREGATE BANDS - SECTION  
1" = 1'-0"

REVISIONS

NO.	DESCRIPTION	DATE	BY	CHECKED

PROJECT #:	16032-00	MANAGER:	LSW
ISSUED FOR:	100% CD	DRAFTER:	LSW
DATE:	NOVEMBER 30, 2017	CHECKED:	ROC

Landscape  
Drainage  
Details

A:\02\7\WU\Hubbard\Hub\2017\TWUHH\_FIT\_ARCH\NEW\_CENTRAL.rvt  
 6/16/17 3:56:32 PM