

CONSULTANTS

JASTER-QUINTANILLA
CIVIL ENGINEER
100 GLASS ST.
DALLAS, TEXAS 75207
TEL 972.752.9098

CAYE COOK & ASSOCIATES
LANDSCAPE ARCHITECT
12700 HILLCREST RD, SUITE 149
DALLAS, TX 75230
TEL 214.739.9105

PONCE-FUESS ENGINEERING, LLC
STRUCTURAL ENGINEER
3333 LEE PARKWAY, SUITE 475
DALLAS, TEXAS 75219
TEL 469.310.2850

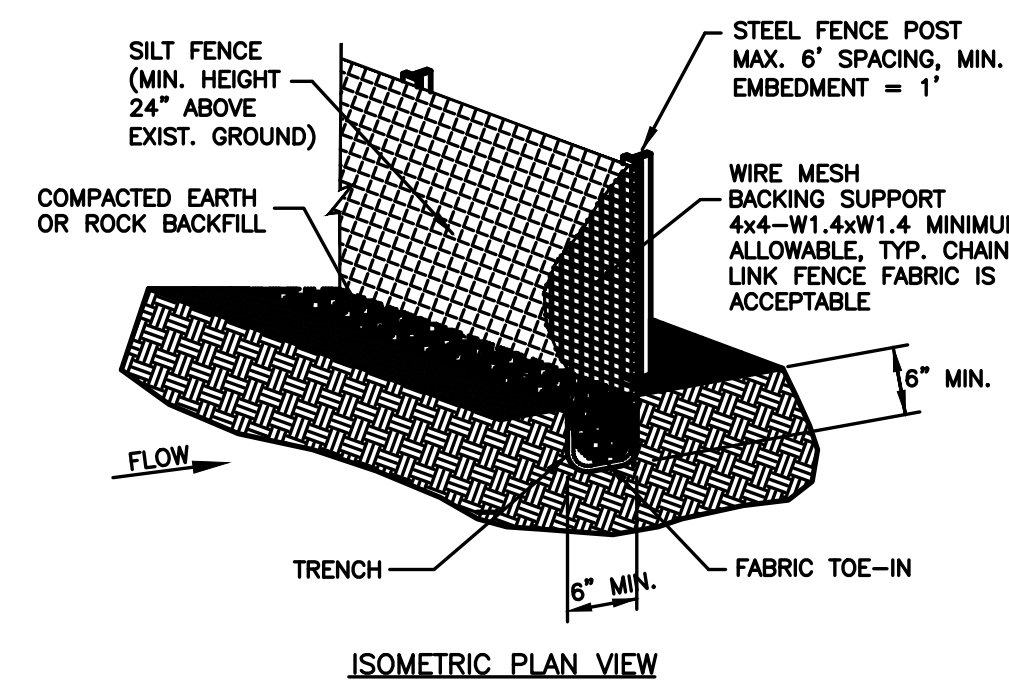
PURDY-McGUIRE, INC.
MEP ENGINEER
17300 DALLAS PARKWAY, SUITE 3000
DALLAS, TEXAS 75248
TEL 972.239.5357

RICCA DESIGN STUDIOS
FOOD SERVICE CONSULTANT
5325 S VALENTIA WAY
GREENWOOD VILLAGE, COLORADO 80111
TEL 303.221.0500

LAFLEUR ASSOCIATES, LLP
LIGHTING CONSULTANT
307 HIGH STREET, SUITE D
CHESTERTOWN MARYLAND 21620
TEL 410.323.1420

WJHW, INC.
AUDIO/VISUAL CONSULTANTS
3424 MIDCOURT ROAD, SUITE 124
CARROLLTON, TEXAS 75006
TEL 972.934.3700

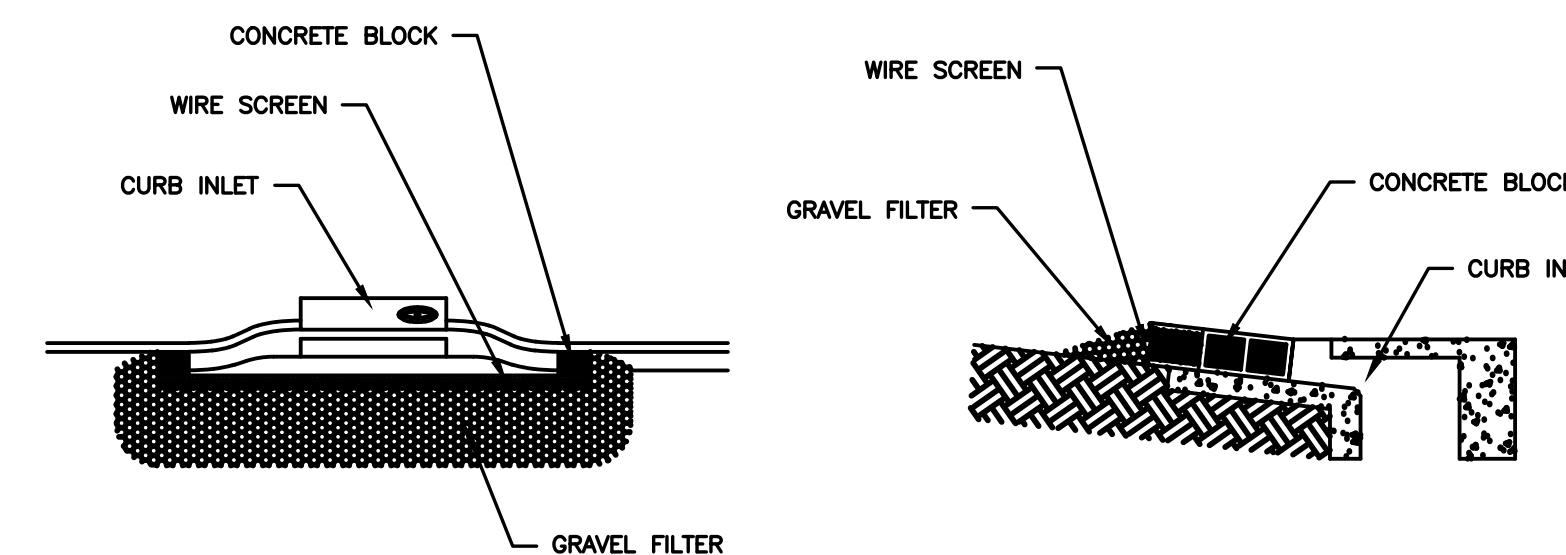
WISS, JANNEY, ELSTNER ASSOCIATES, INC.
BUILDING ENVELOPE CONSULTANT
6363 N. STATE HIGHWAY 161, SUITE 550
IRVING, TEXAS 75038
TEL 972.550.777



SILT FENCE GENERAL NOTES

1. STEEL POSTS WHICH SUPPORT THE SILT FENCE SHALL BE INSTALLED ON A SLIGHT ANGLE TOWARD THE ANTICIPATED RUNOFF SOURCE. POST MUST BE EMBEDDED A MINIMUM OF ONE FOOT.
2. THE TOE OF THE SILT FENCE SHALL BE TRENCHED IN WITH A SPADE OR MECHANICAL TRENCHER, SO THAT THE DOWNSLOPE FACE OF THE TRENCH IS FLAT AND PERPENDICULAR TO THE LINE OF FLOW. WHERE FENCE CANNOT BE TRENCHED IN (e.g. PAVEMENT), WEIGHT FABRIC FLAP WITH ROCK ON UPHILL SIDE TO PREVENT FLOW FROM SEEPING UNDER FENCE.
3. THE TRENCH MUST BE A MINIMUM OF 6 INCHES DEEP AND 8 INCHES WIDE TO ALLOW FOR THE SILT FENCE FABRIC TO BE LAID IN THE GROUND AND BACKFILLED WITH COMPACTED MATERIAL.
4. SILT FENCE SHOULD BE SECURELY FASTENED TO EACH STEEL SUPPORT POST OR TO WOVEN WIRE, WHICH IN TURN IS ATTACHED TO THE STEEL FENCE POST. THERE SHALL BE A 3 FOOT OVERLAP, SECURELY FASTENED WHERE ENDS OF FABRIC MEET.
5. INSPECTION SHALL BE MADE EVERY TWO WEEKS AND AFTER EACH 1/2\"/>

01 SILT FENCE INSTALLATION
N.T.S.



02 CURB INLET PROTECTION DETAILS
N.T.S.

REVISIONS

GENETED BY

PROJECT #: 16032-00 MANAGER: DJ
ISSUED FOR: 100% CD DRAFTER: BA
DATE: NOVEMBER 30, 2017 CHECKED: DJ

EROSION
CONTROL
DETAILS

SHEET

C7-1

OF 15 C SHEETS