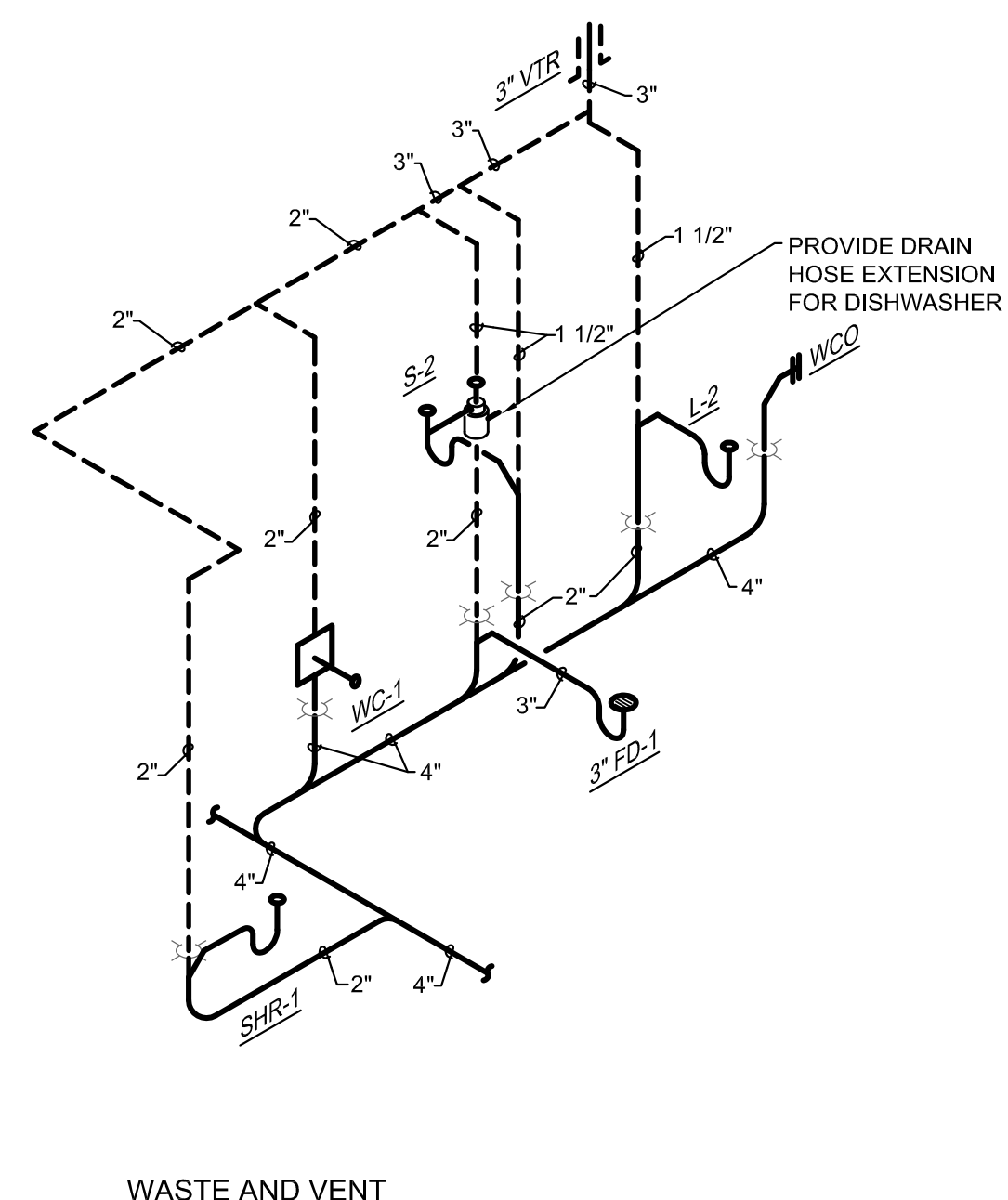
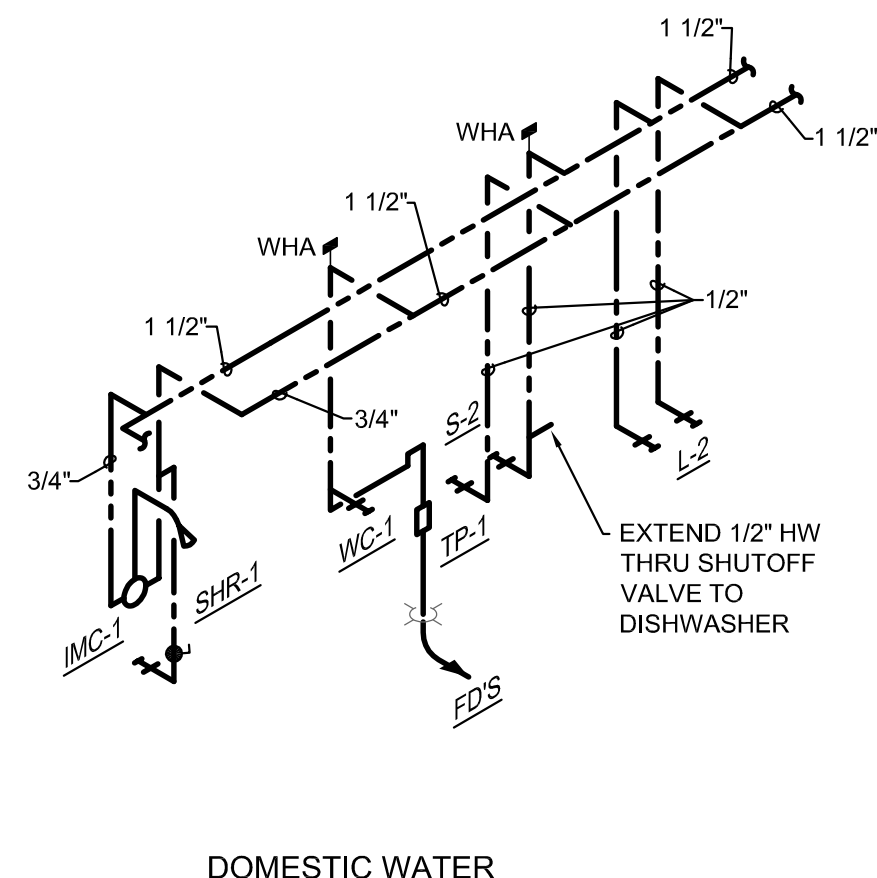


Revision Schedule		
Rev. #	Revision Description	Revision Date

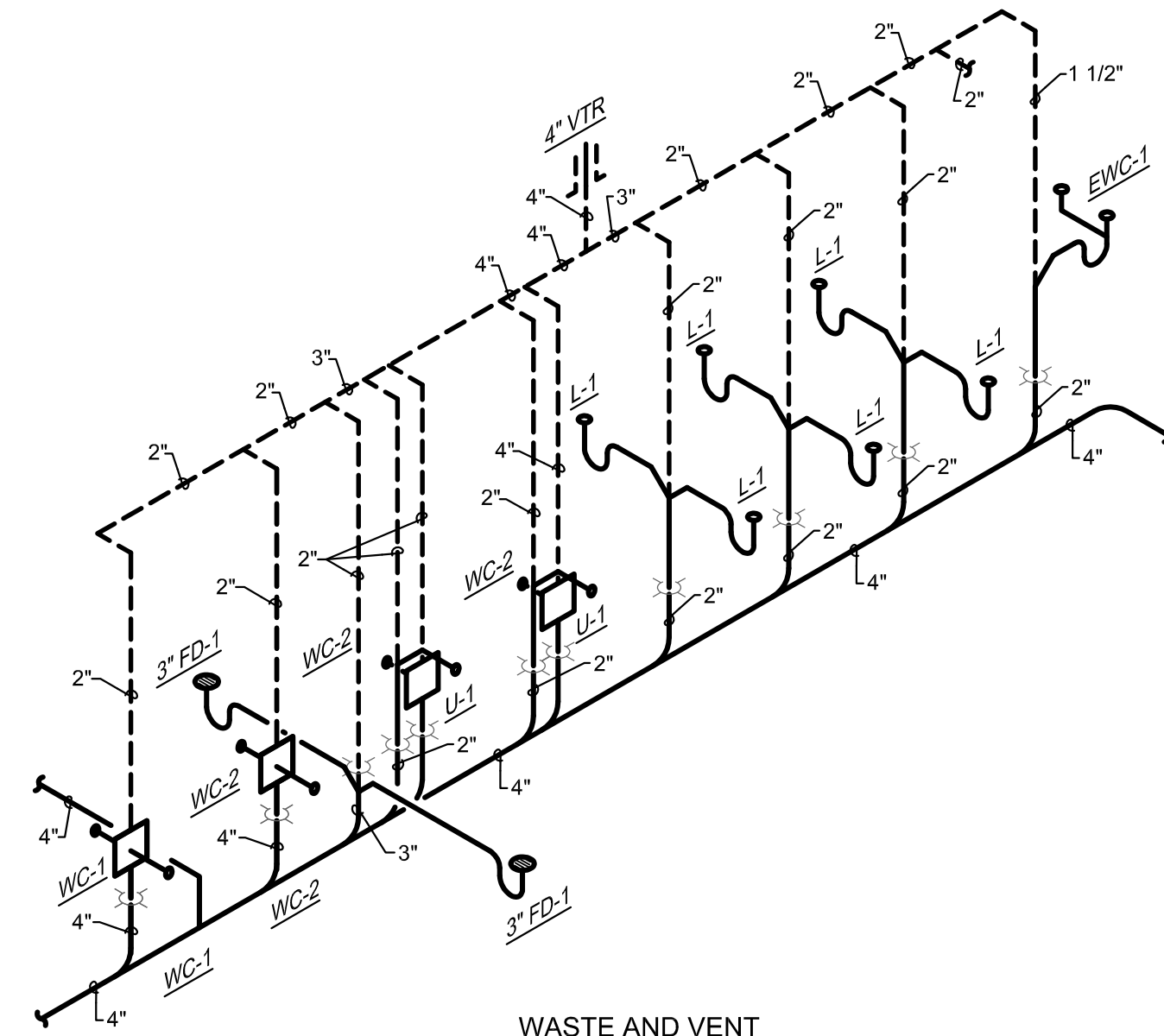


WASTE AND VENT

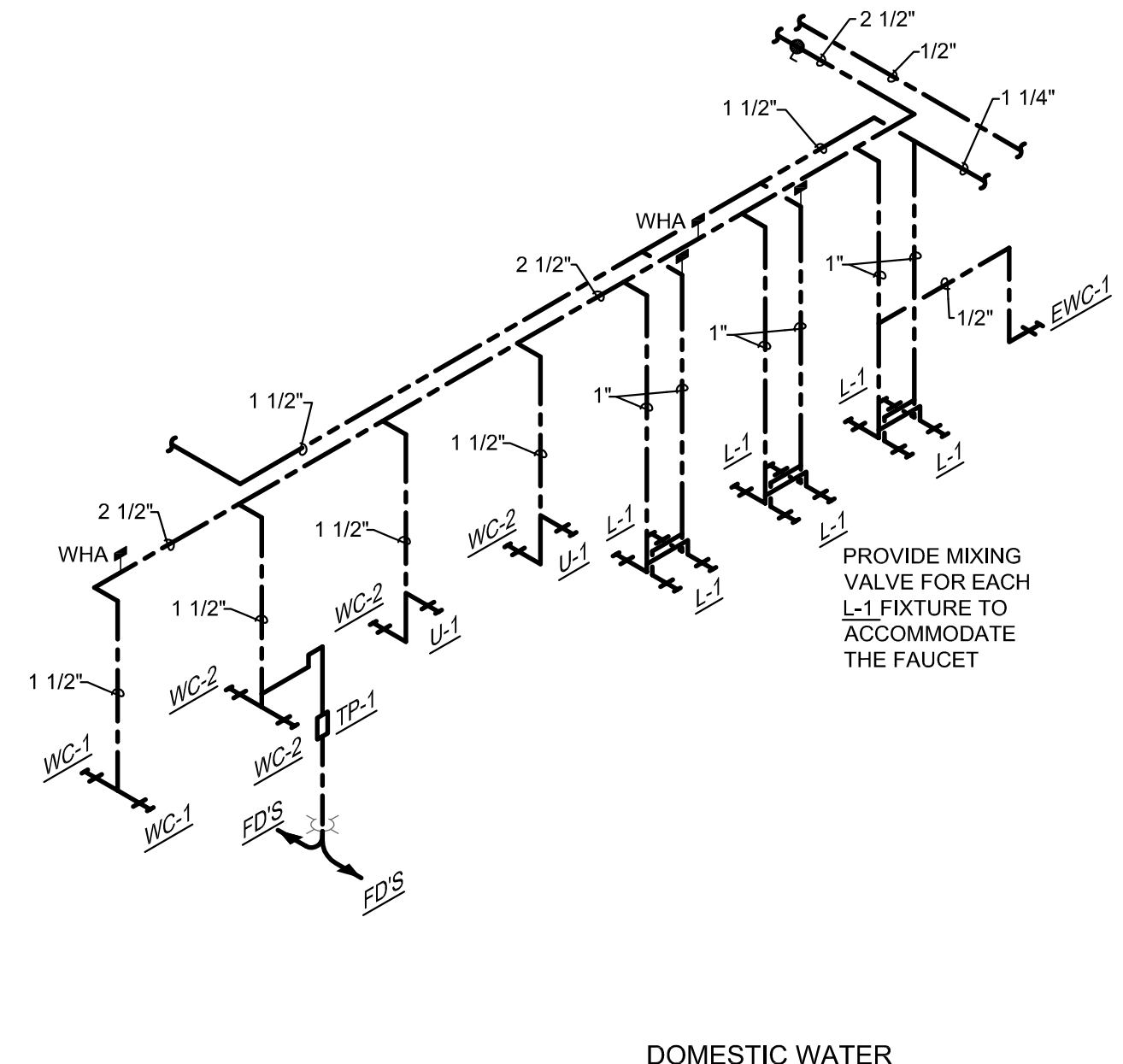


DOMESTIC WATER

1 PLUMBING ISOMETRIC SHOWER 128  
 SCALE: NO SCALE

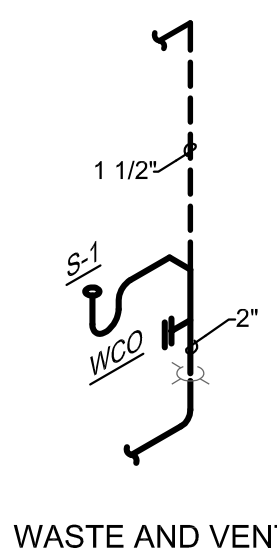
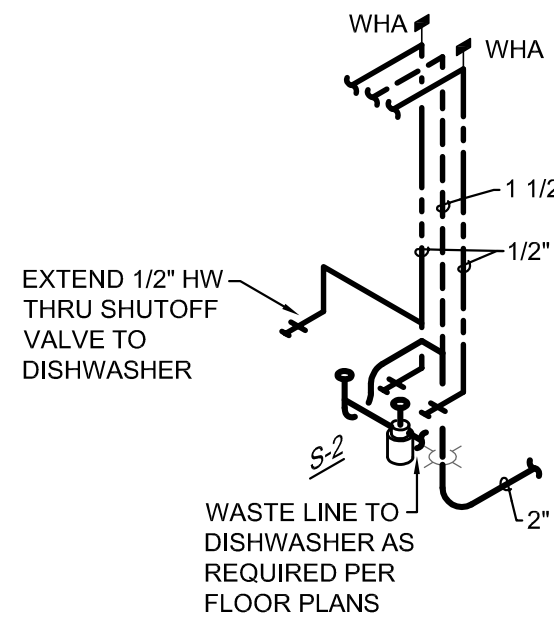


WASTE AND VENT

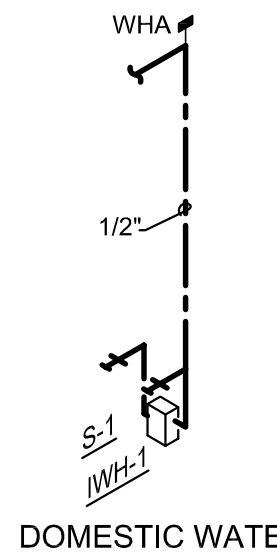


DOMESTIC WATER

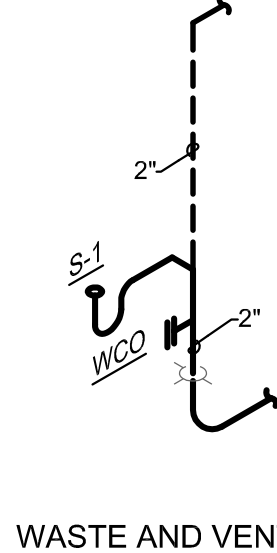
2 PLUMBING ISOMETRIC WOMEN 120 / MEN 121  
 SCALE: NO SCALE



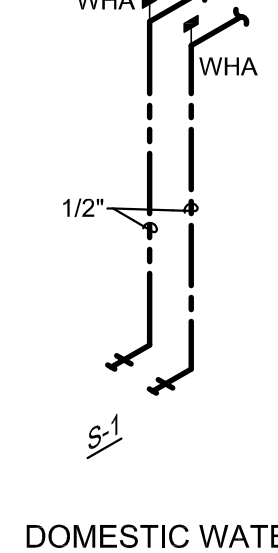
WASTE AND VENT



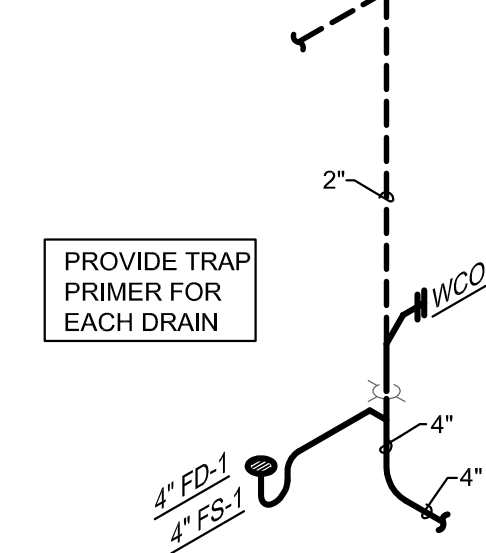
DOMESTIC WATER



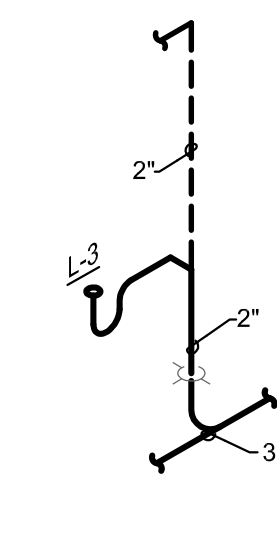
WASTE AND VENT



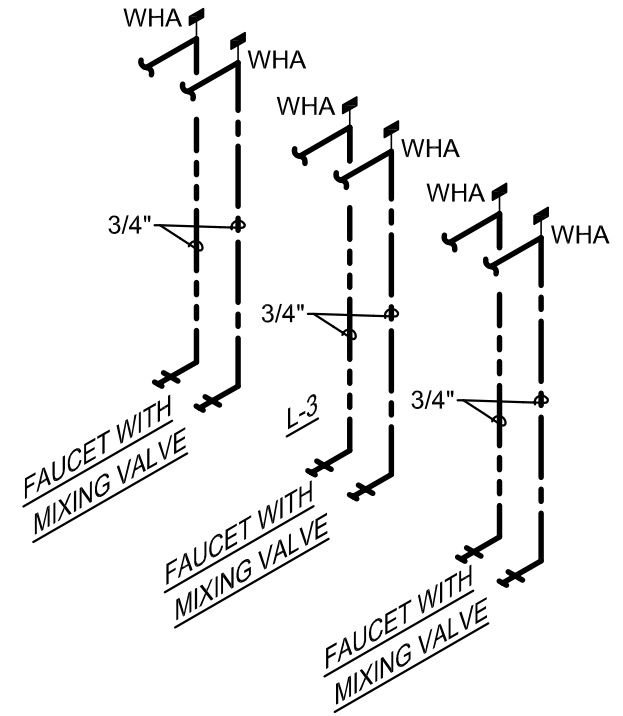
DOMESTIC WATER



WASTE AND VENT



WASTE AND VENT



DOMESTIC WATER

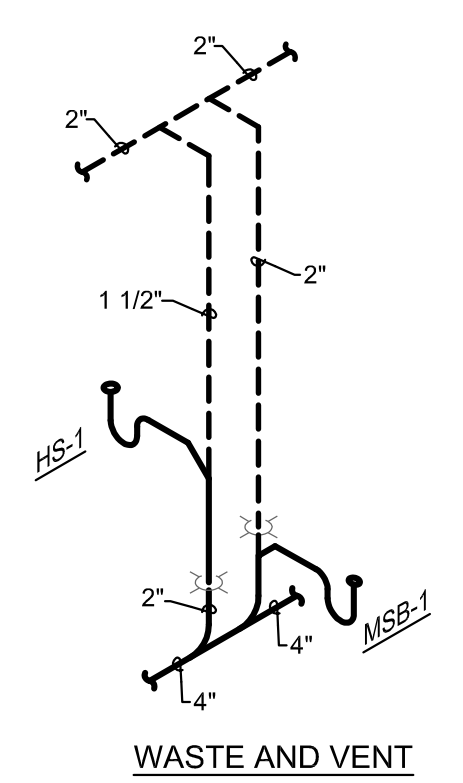
3 PLUMBING ISOMETRIC SINK S-2  
 SCALE: NO SCALE

4 PLUMBING ISOMETRIC VIP VEST. 123  
 SCALE: NO SCALE

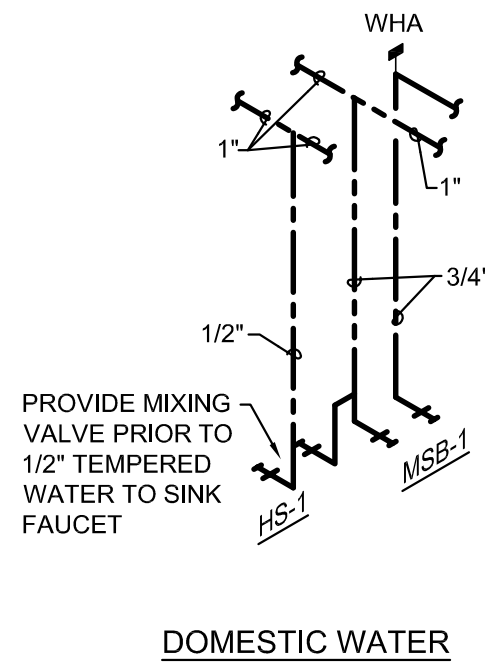
5 PLUMBING ISOMETRIC R.03 VEST. 116  
 SCALE: NO SCALE

6 PLUMBING ISOMETRIC AT 4" FLOOR  
 DRAINS & SINKS  
 SCALE: NO SCALE

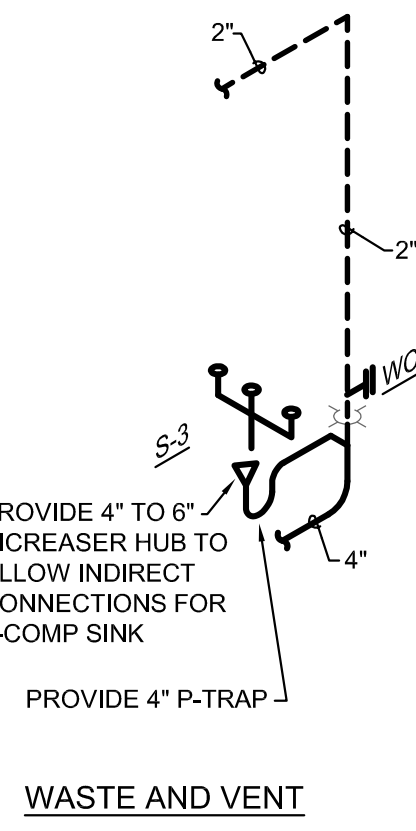
7 PLUMBING ISOMETRIC HALL 113  
 SCALE: NO SCALE



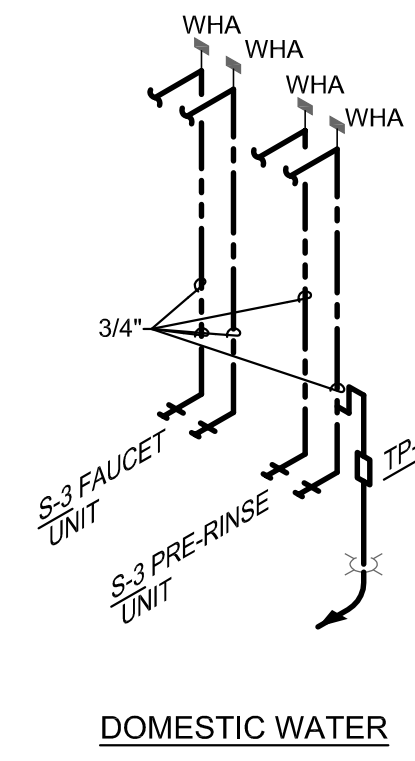
WASTE AND VENT



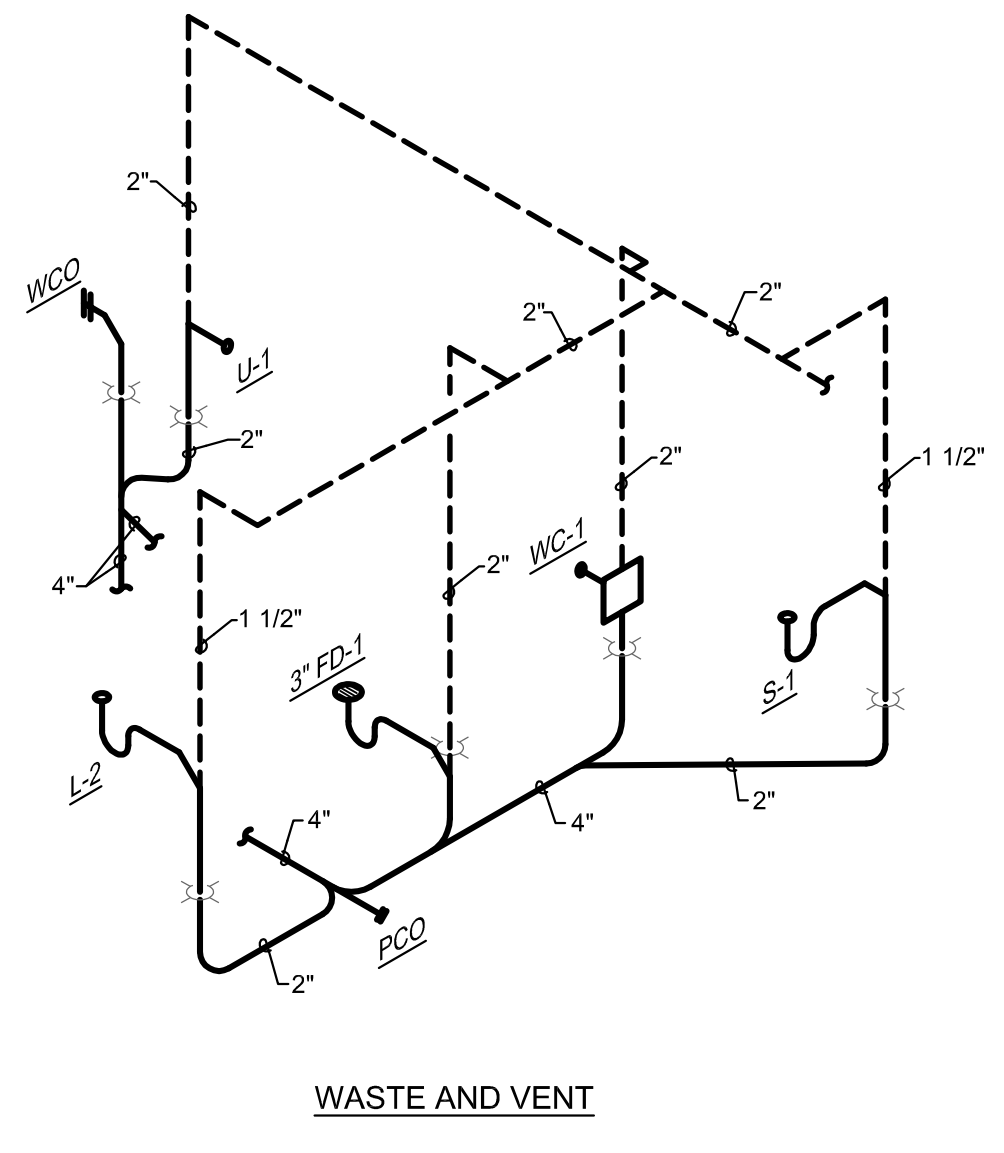
DOMESTIC WATER



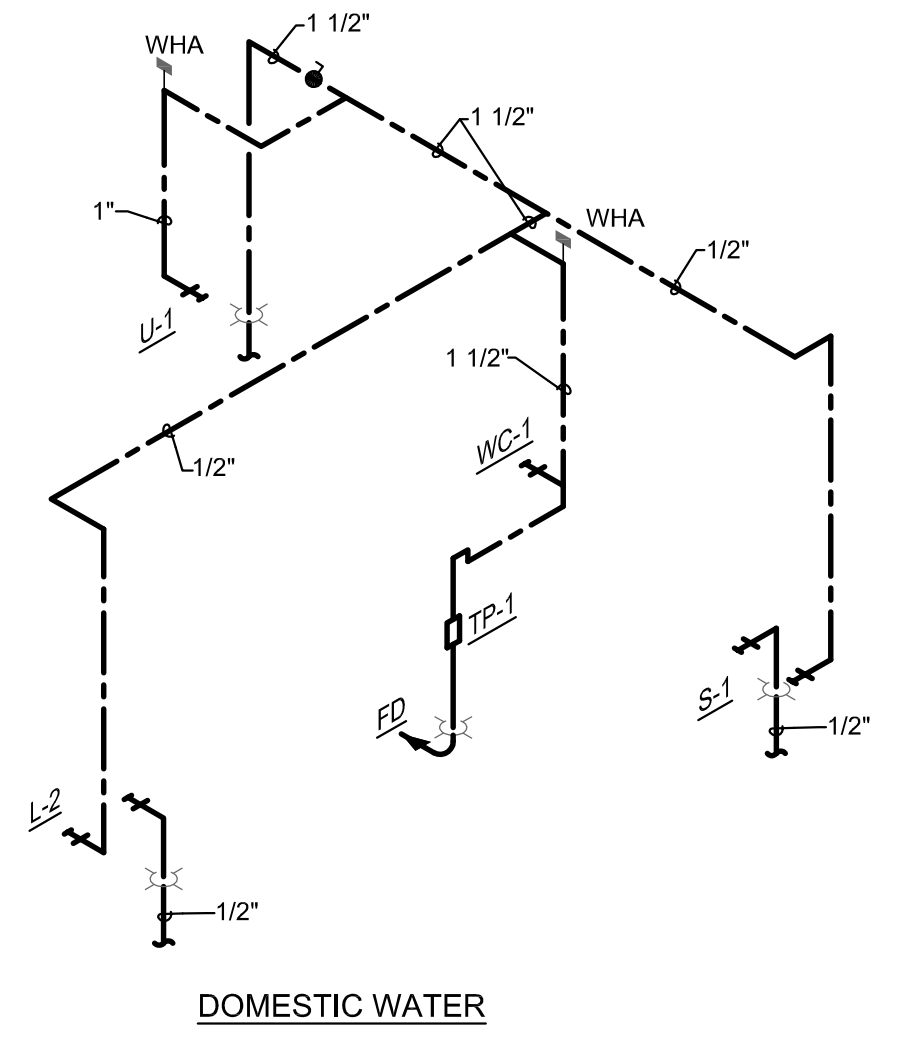
WASTE AND VENT



DOMESTIC WATER



WASTE AND VENT



DOMESTIC WATER

8 PLUMBING ISOMETRIC HS-1 & MSB-1  
 SCALE: NO SCALE

9 PLUMBING ISOMETRIC S-3  
 SCALE: NO SCALE

10 PLUMBING ISOMETRIC RR 204  
 SCALE: NO SCALE