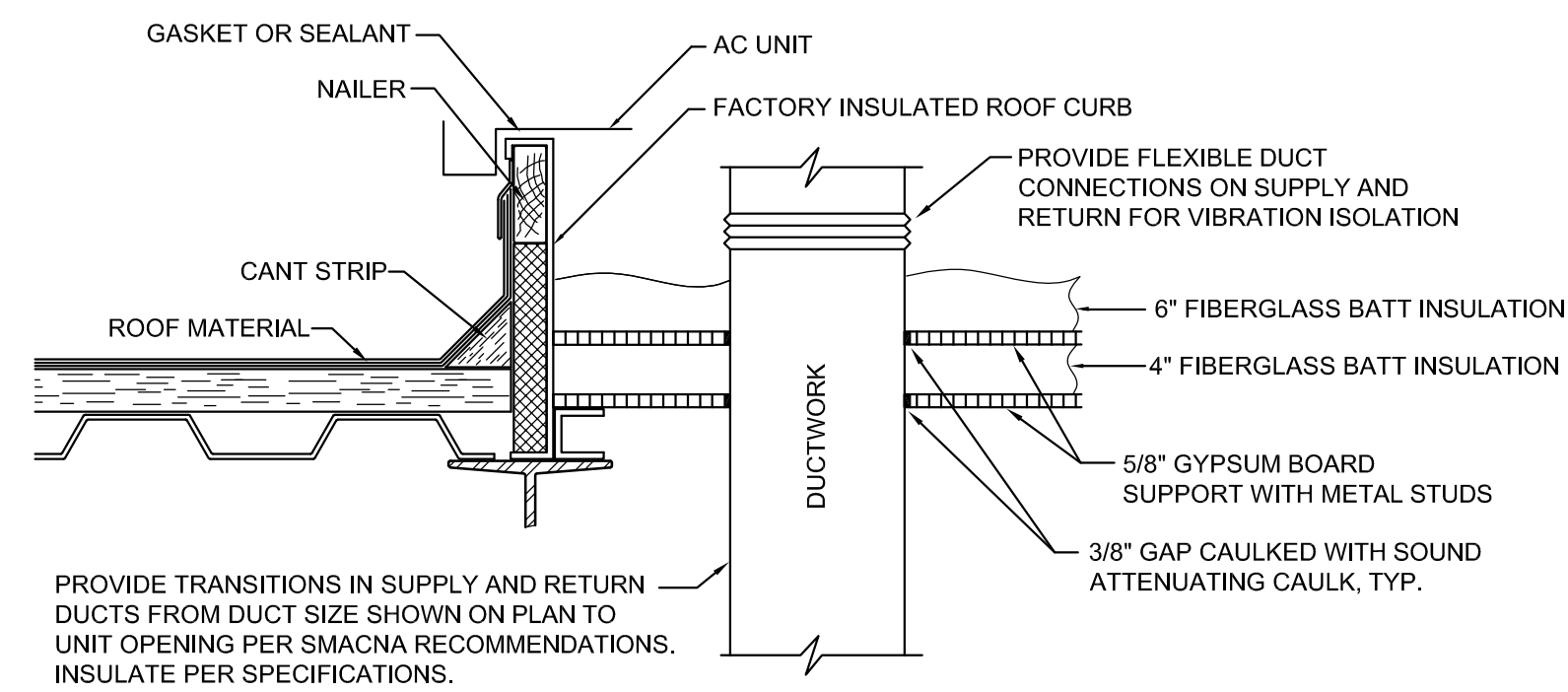
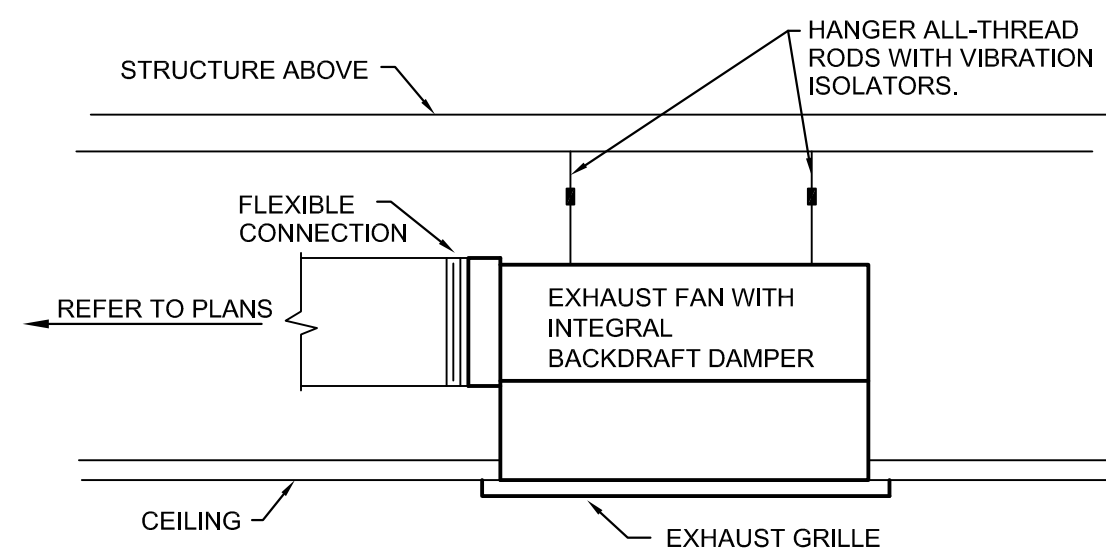


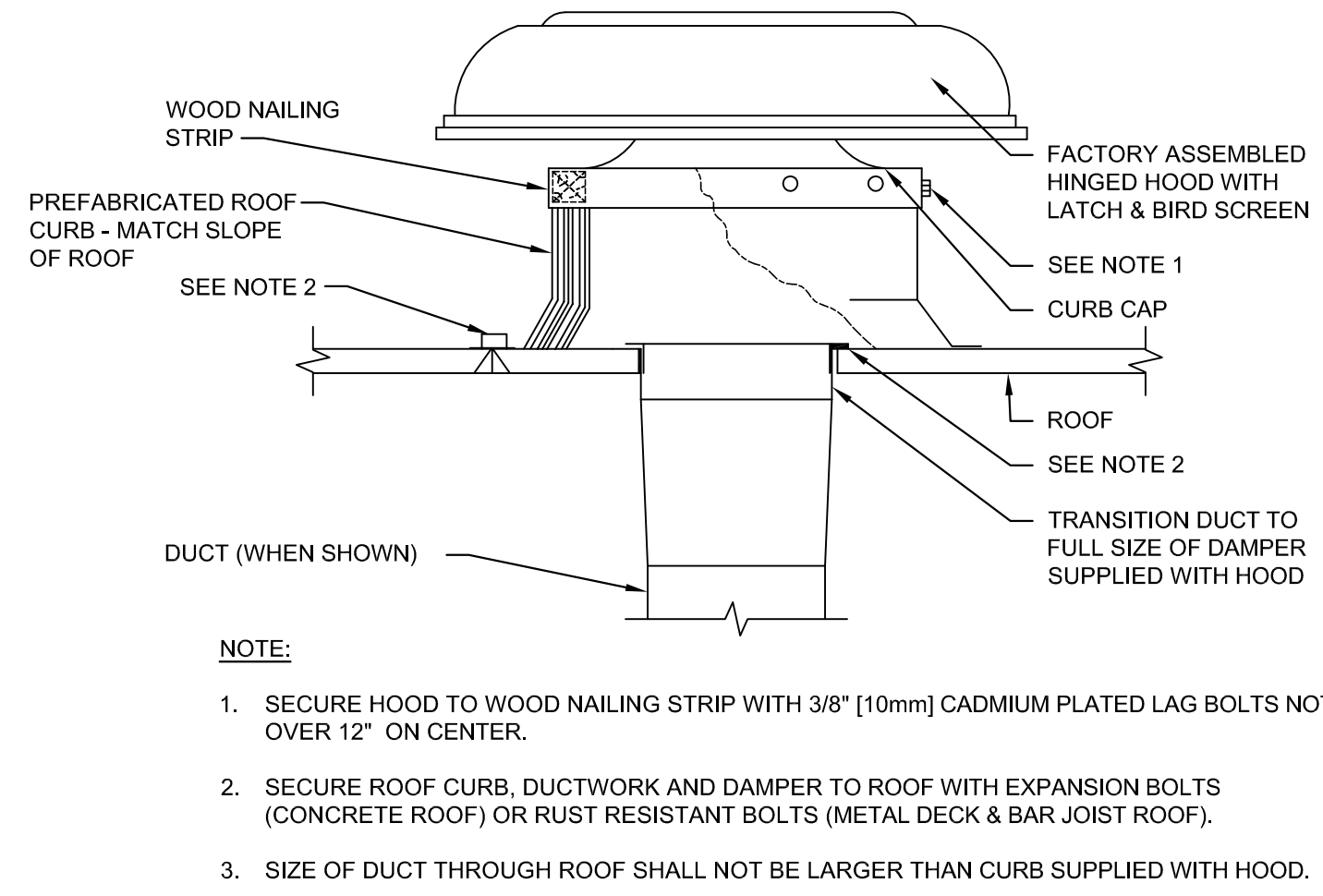
Revision Schedule		
Rev. #	Revision Description	Revision Date



1 ROOFTOP UNIT INSTALLATION
 SCALE: NO SCALE

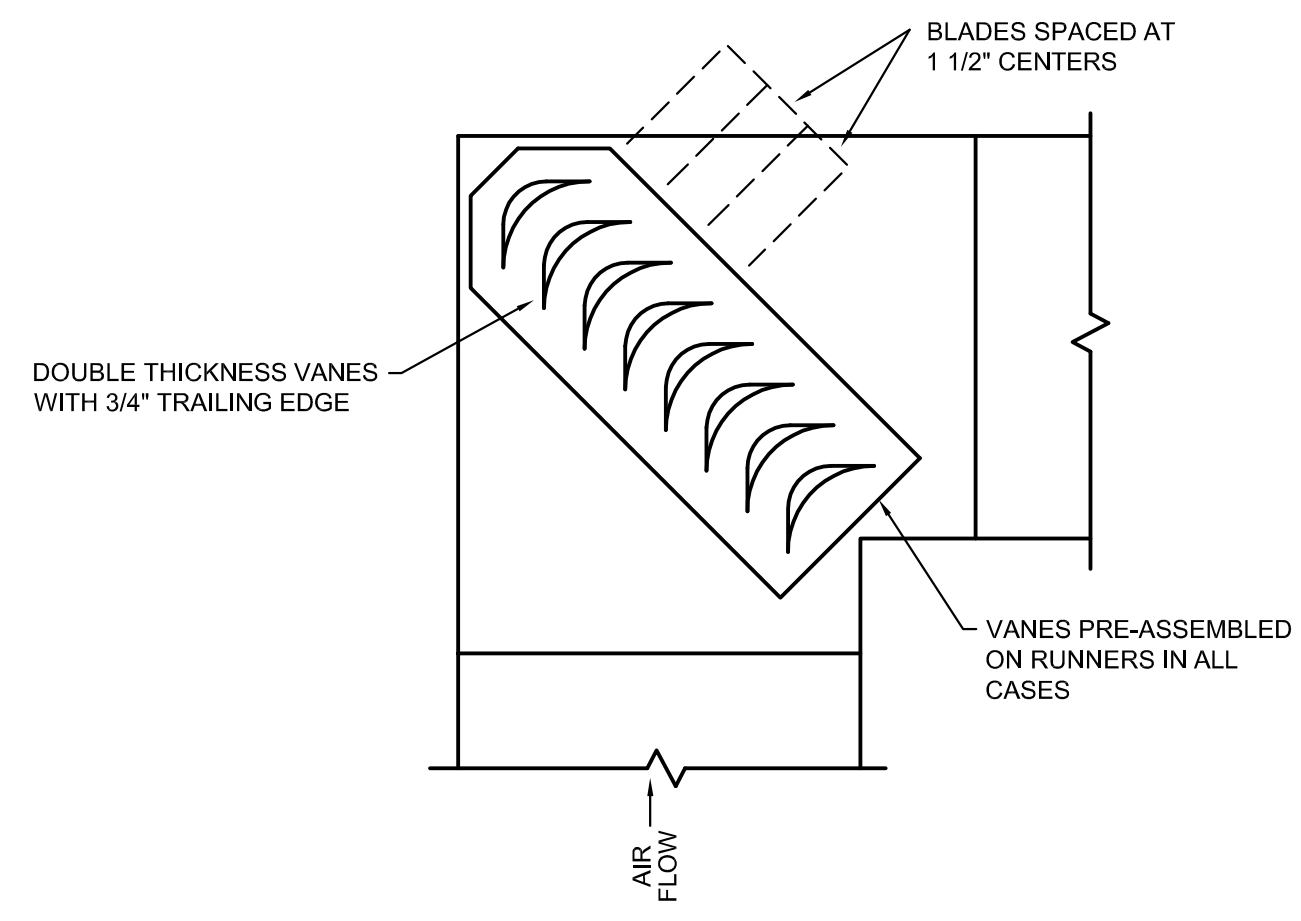


2 CEILING EXHAUST FAN DETAIL
 SCALE: NO SCALE

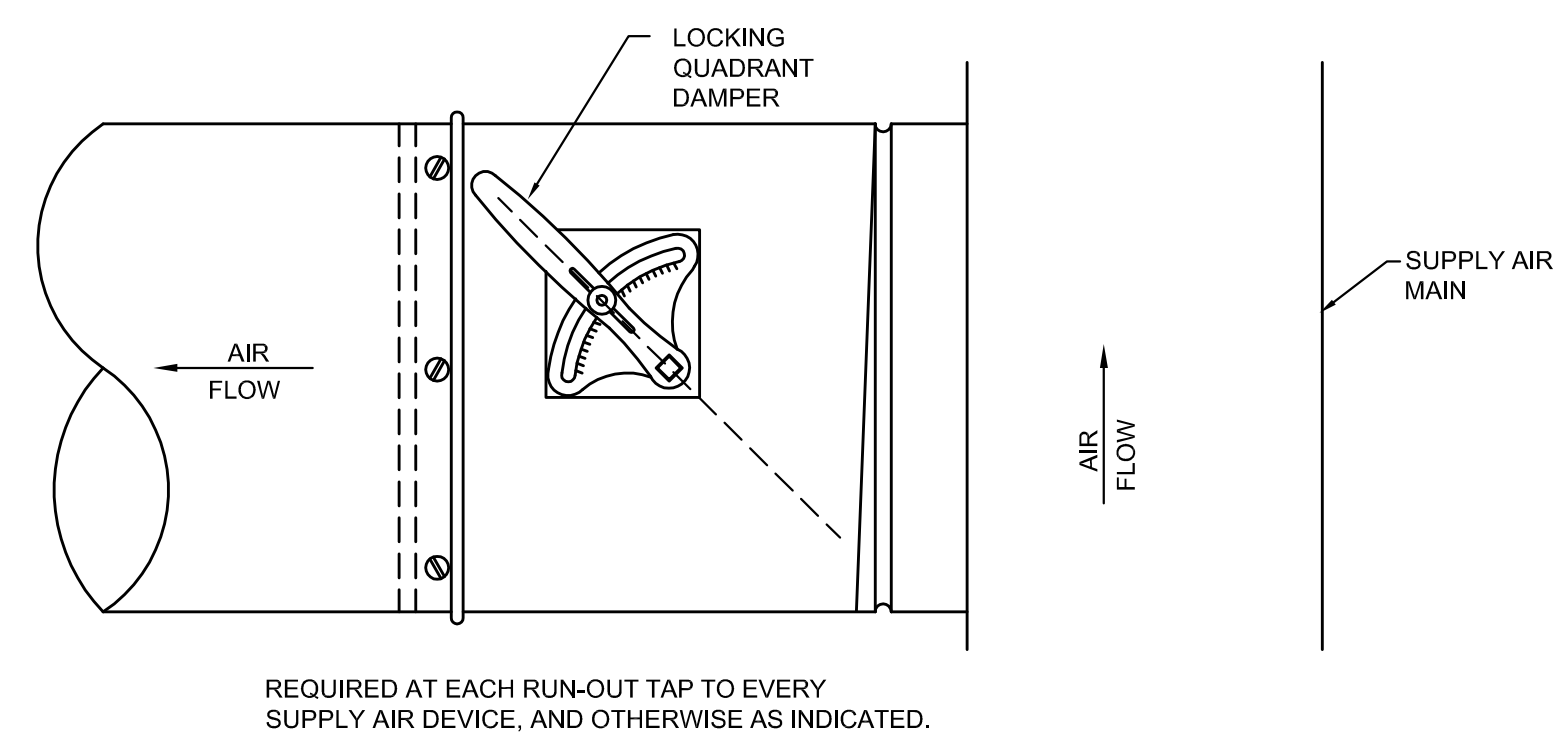


- NOTE:**
1. SECURE HOOD TO WOOD NAILING STRIP WITH 3/8" [10mm] CADMIUM PLATED LAG BOLTS NOT OVER 12" ON CENTER.
 2. SECURE ROOF CURB, DUCTWORK AND DAMPER TO ROOF WITH EXPANSION BOLTS (CONCRETE ROOF) OR RUST RESISTANT BOLTS (METAL DECK & BAR JOIST ROOF).
 3. SIZE OF DUCT THROUGH ROOF SHALL NOT BE LARGER THAN CURB SUPPLIED WITH HOOD.

3 EXHAUST ROOF HOOD DETAIL
 SCALE: NO SCALE

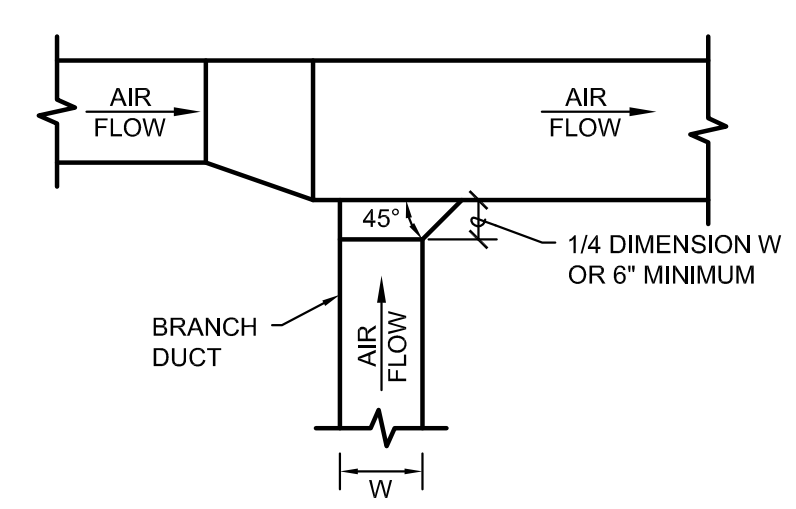


4 TYPICAL SQUARE ELBOW WITH VANES
 SCALE: NO SCALE

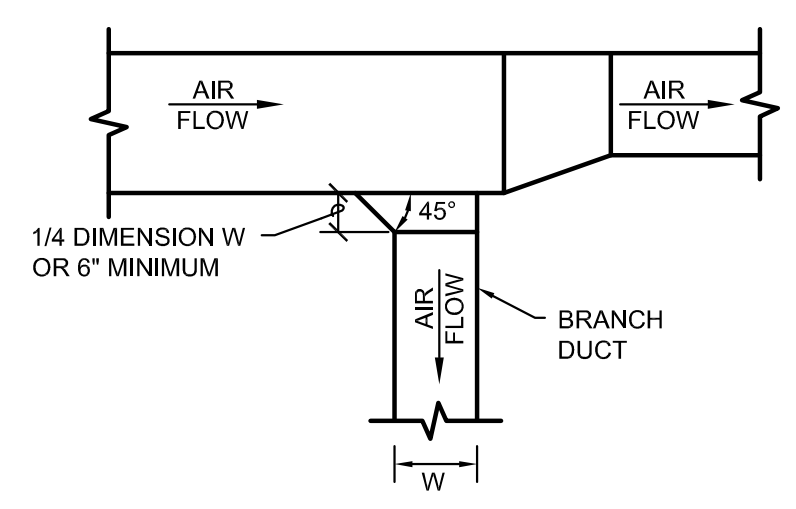


REQUIRED AT EACH RUN-OUT TAP TO EVERY SUPPLY AIR DEVICE, AND OTHERWISE AS INDICATED.

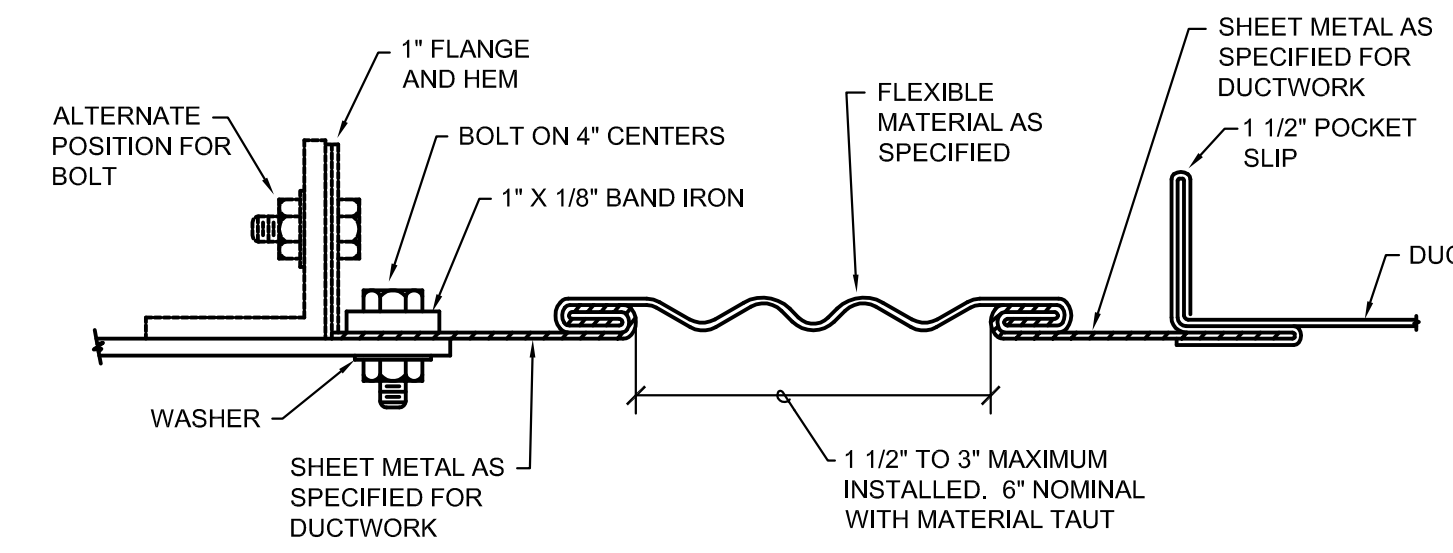
5 SPIN-IN TAP DETAIL
 SCALE: NO SCALE



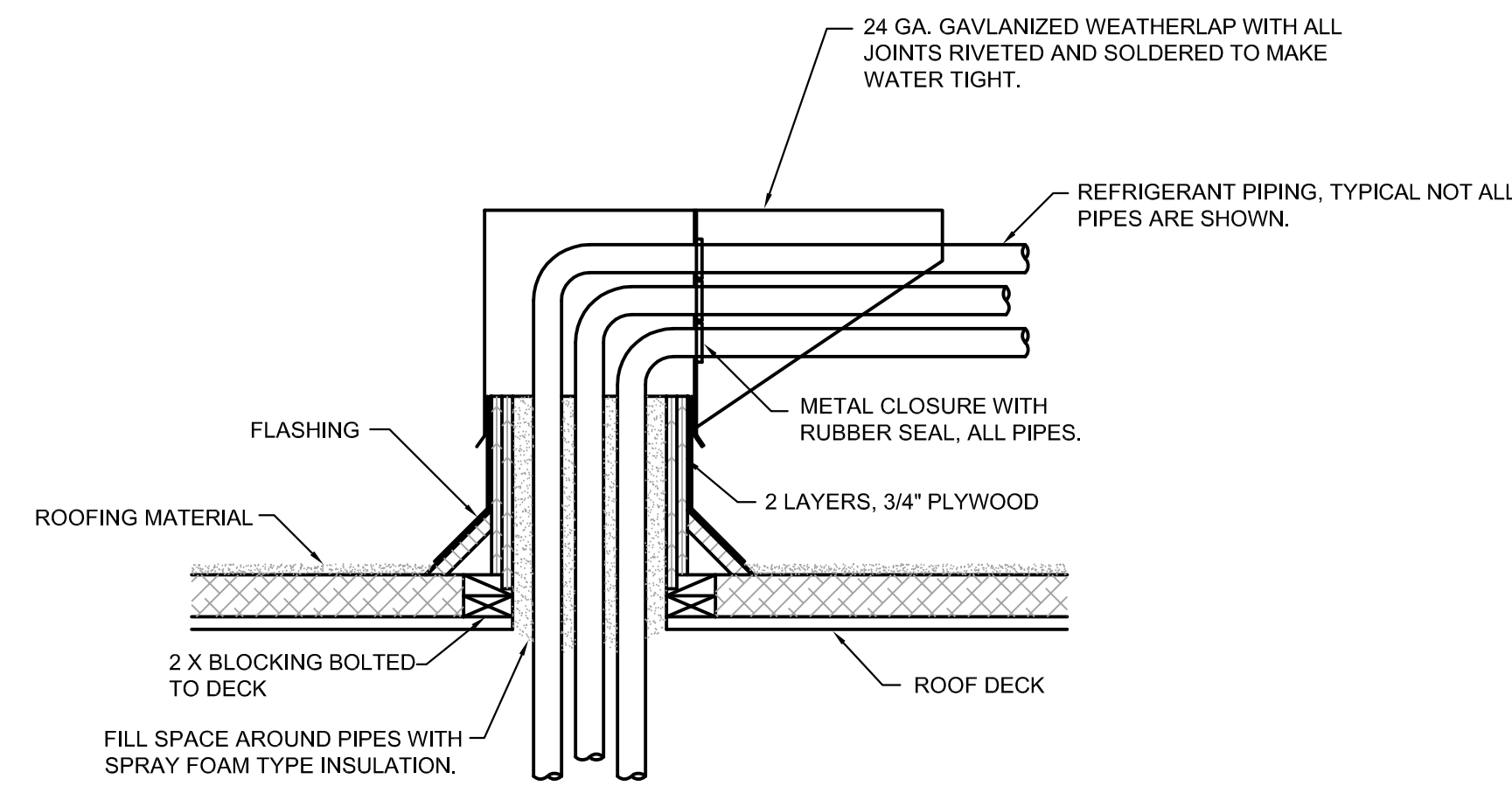
6 EXHAUST OR RETURN AIR BRANCH DETAIL
 SCALE: NO SCALE



7 SUPPLY DUCT BRANCH DETAIL
 SCALE: NO SCALE

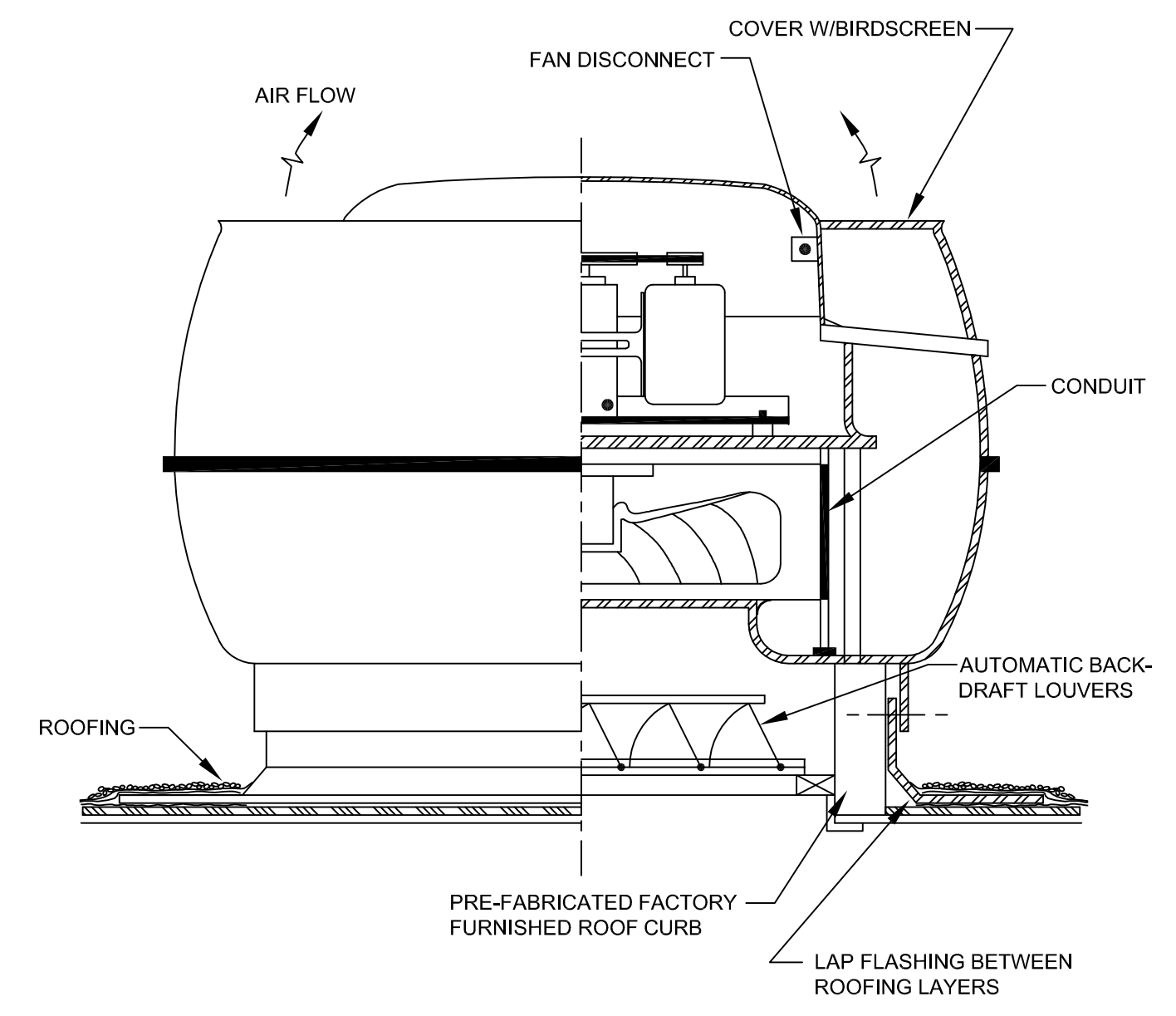


8 DUCT FLEXIBLE CONNECTION DETAIL
 SCALE: NO SCALE



- NOTES:**
1. ALL EDGES SHALL BE ROLLED & TURNED DOWN, SHARP EDGES WILL NOT BE ACCEPTED.
 2. SEAL AS REQUIRED TO MAKE ALL JOINTS & PENETRATIONS WATERTIGHT.
 3. CONTRACTOR SHALL FIELD VERIFY ALL DIMENSIONS AND CONDITIONS.
 4. PIPE HOUSE SHALL BE INTERNALLY INSULATED WITH 2\"/>

9 ROOF PORTAL DETAIL
 SCALE: NO SCALE



10 UP BLAST ROOF EXHAUST FAN
 SCALE: NO SCALE