

GLAZING TYPE LEGEND - (BASIS OF DESIGN)

A 1" INSULATING UNIT ATLANTICA WITH SUNGATE 500 (3"); PPG (BASIS OF DESIGN)
 - LOW-E, HIGH PERFORMANCE TINTED, TEMPERED
 - COLOR: ATLANTICA (FORMERLY SOLARGREEN)

PERFORMANCE CRITERIA:
 U-FACTOR- .29
 R-VALUE- 3.5
 SHADING COEFFICIENT- .41
 SOLAR HEAT GAIN COEFFICIENT- .35
 VISIBLE TRANSMISSION- .65
 RELATIVE HEAT GAIN- .86

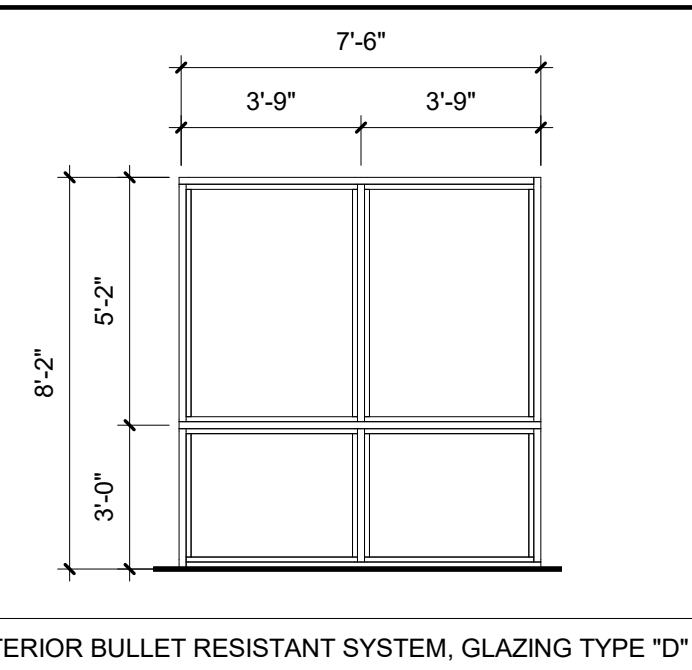
NOTES:
 1. ALL EXTERIOR GLAZING TO BE 1" INSULATED GLASS TEMPERED WHERE REQUIRED BY CODE U.N.O.
 2. ALL INTERIOR GLAZING TO BE ALUMINUM STOREFRONT 1/4" GLASS TEMPERED WHERE REQUIRED BY CODE U.N.O.

B 1/4" CLEAR, TEMPERED, SAFETY GLAZING

C CLEAR, TEMPERED, SAFETY GLAZING, ACOUSTIC GLASS (1" INSULATING UNIT)

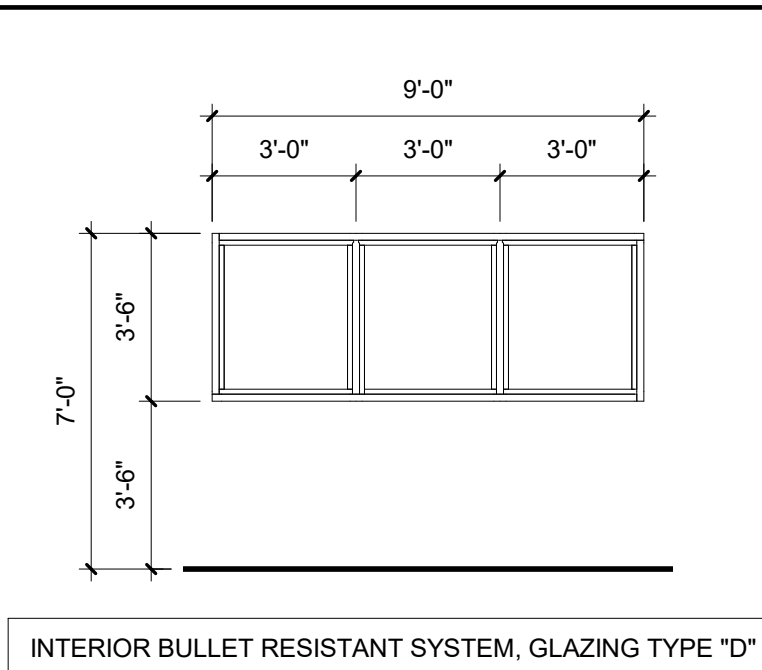
D CLEAR, LEVEL 4 BULLET RESISTANT GLAZING

E CLEAR, LEVEL 4 BULLET RESISTANT GLAZING, LOW-E



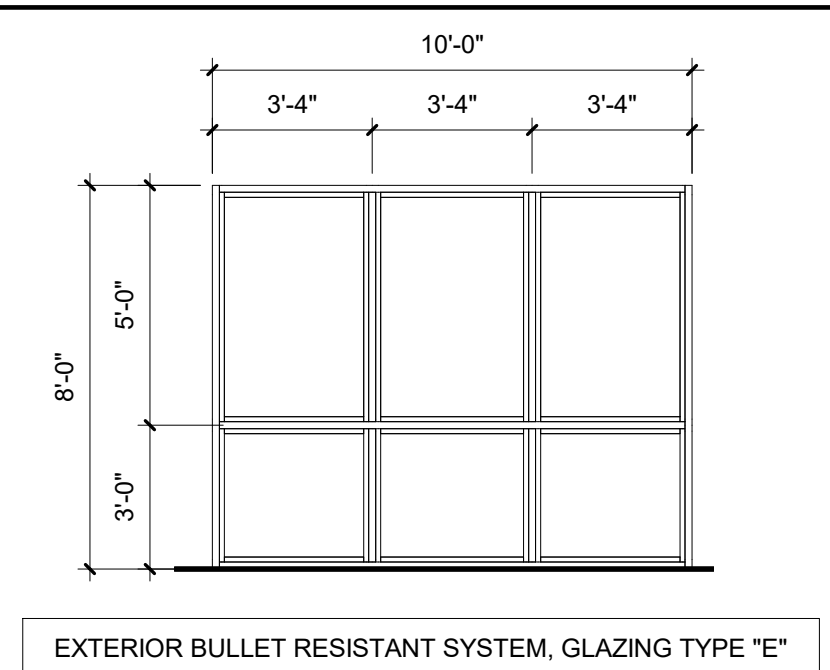
INTERIOR BULLET RESISTANT SYSTEM, GLAZING TYPE "D"

BW3 | 17
 SCALE: 1/4" = 1'-0" | A6.11



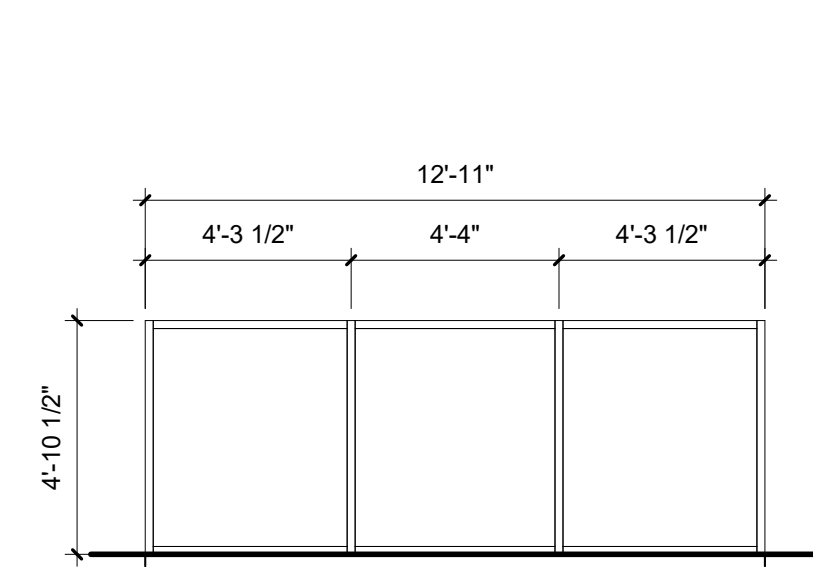
INTERIOR BULLET RESISTANT SYSTEM, GLAZING TYPE "D"

BW2 | 16
 SCALE: 1/4" = 1'-0" | A6.11



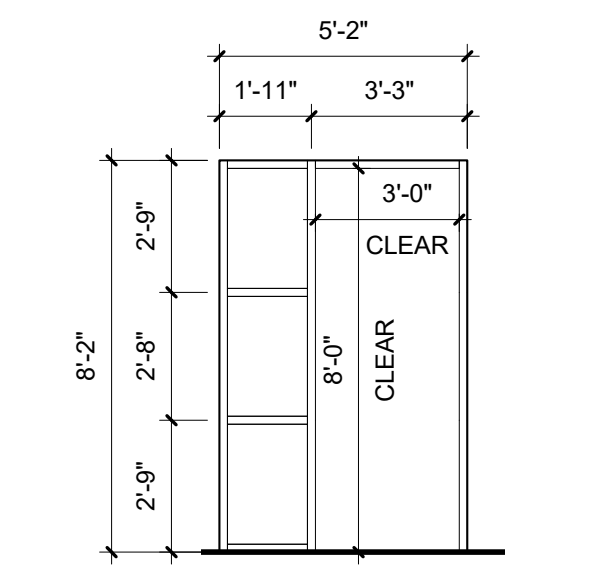
EXTERIOR BULLET RESISTANT SYSTEM, GLAZING TYPE "E"

BW1 | 15
 SCALE: 1/4" = 1'-0" | A6.11



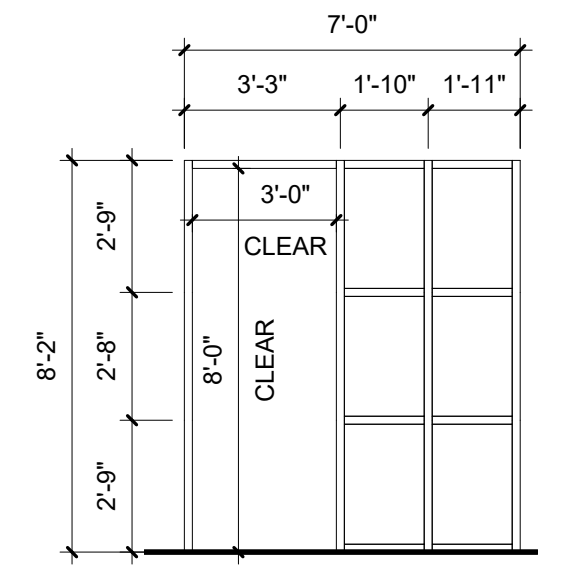
INTERIOR STOREFRONT, GLAZING TYPE "B"

W14 | 14
 SCALE: 1/4" = 1'-0" | A6.11



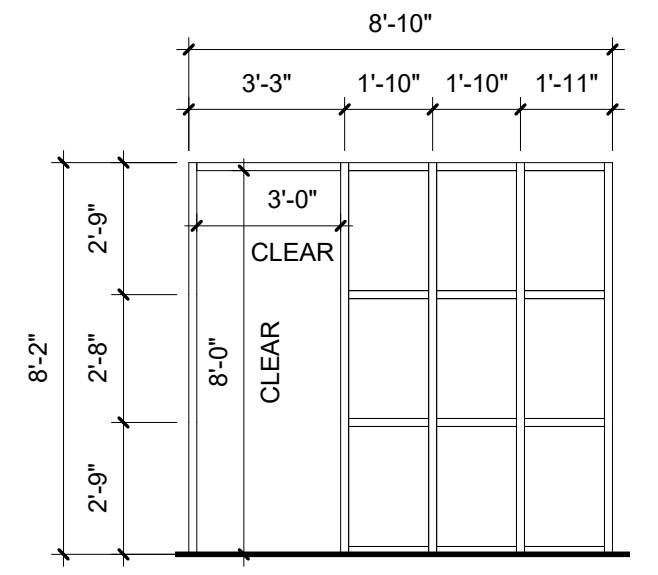
INTERIOR STOREFRONT, GLAZING TYPE "B"

W13 | 13
 SCALE: 1/4" = 1'-0" | A6.11



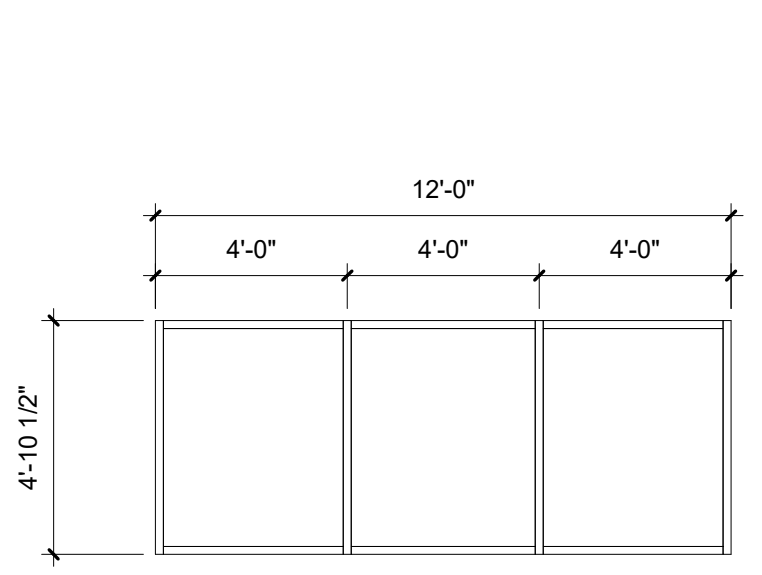
INTERIOR STOREFRONT, GLAZING TYPE "B"

W12 | 12
 SCALE: 1/4" = 1'-0" | A6.11



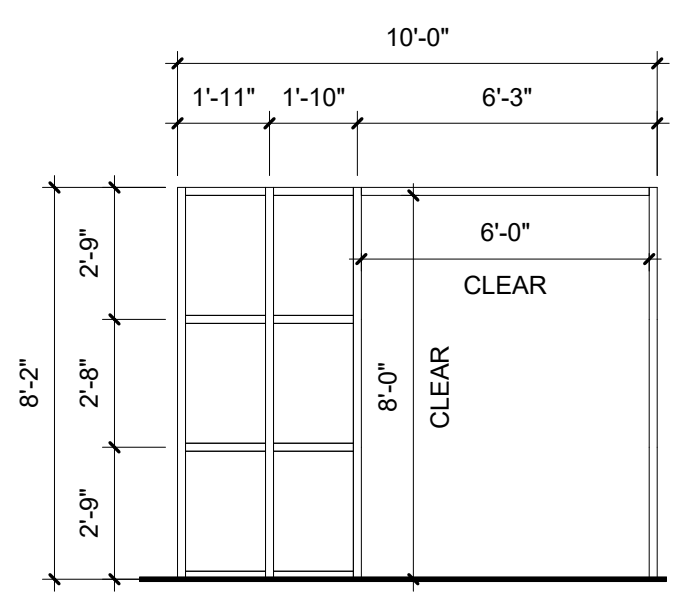
INTERIOR STOREFRONT, GLAZING TYPE "B"

W11 | 11
 SCALE: 1/4" = 1'-0" | A6.11



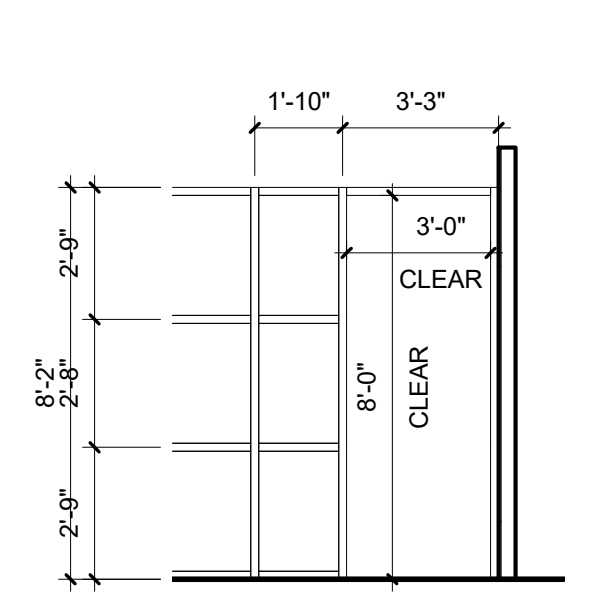
INTERIOR STOREFRONT, GLAZING TYPE "B"

W10 | 10
 SCALE: 1/4" = 1'-0" | A6.11



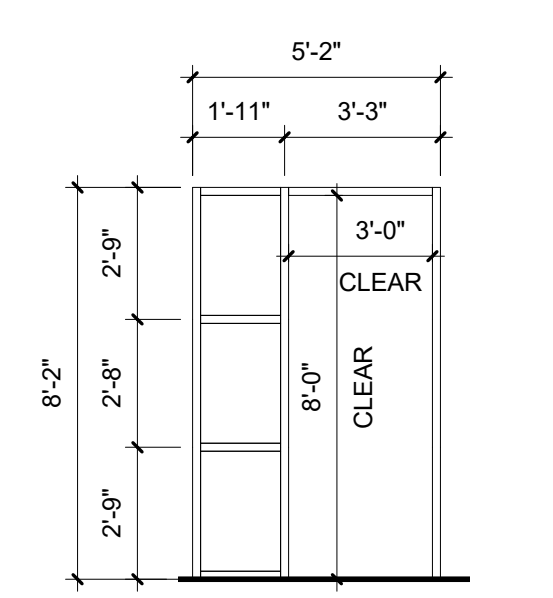
INTERIOR STOREFRONT, GLAZING TYPE "B"

W9 | 9
 SCALE: 1/4" = 1'-0" | A6.11



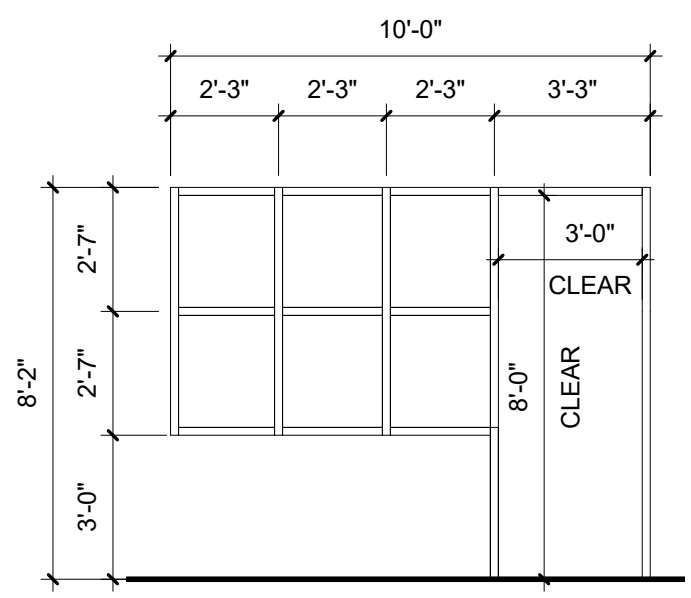
INTERIOR STOREFRONT, GLAZING TYPE "C"

W8 | 8
 SCALE: 1/4" = 1'-0" | A6.11



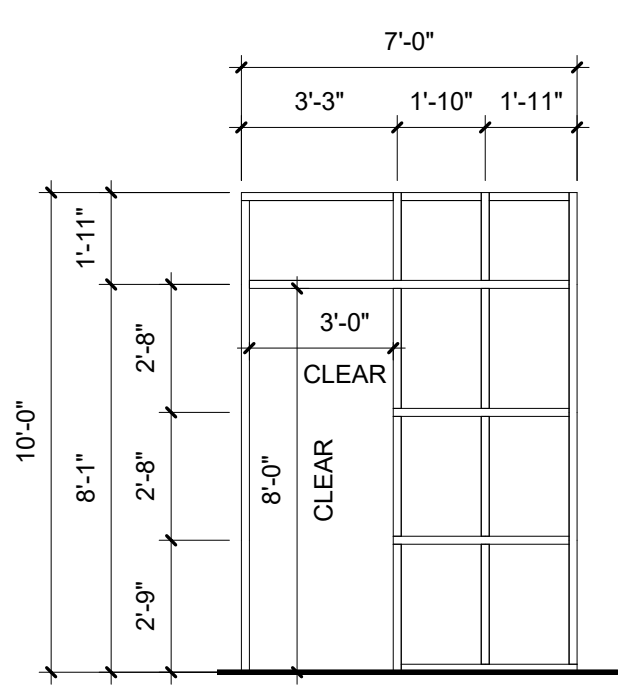
INTERIOR STOREFRONT, GLAZING TYPE "C"

W7 | 7
 SCALE: 1/4" = 1'-0" | A6.11



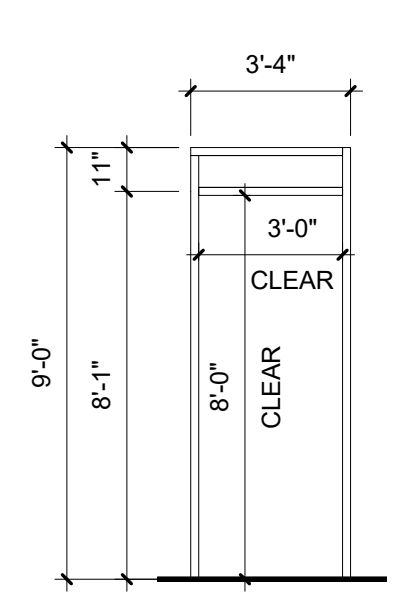
INTERIOR STOREFRONT, GLAZING TYPE "C"

W6 | 6
 SCALE: 1/4" = 1'-0" | A6.11



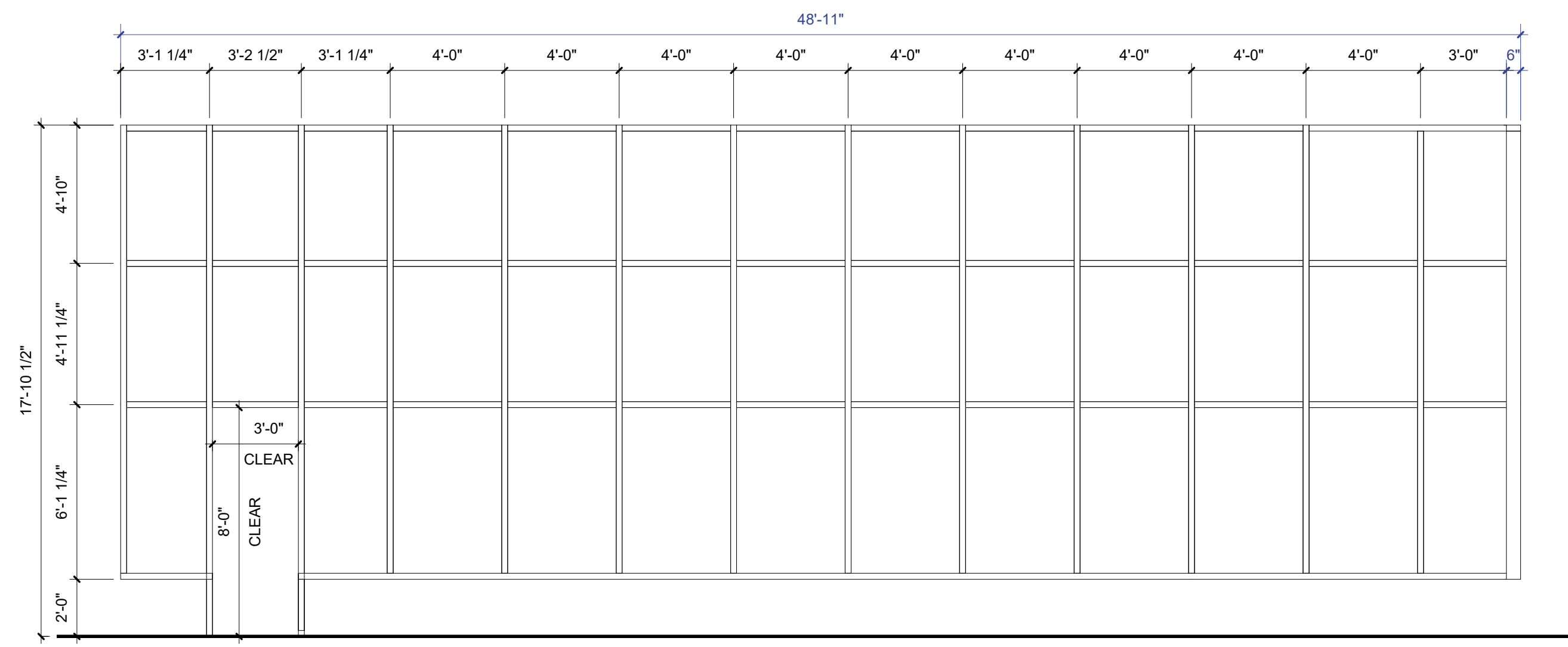
EXTERIOR STOREFRONT, GLAZING TYPE "A"

W5 | 5
 SCALE: 1/4" = 1'-0" | A6.11



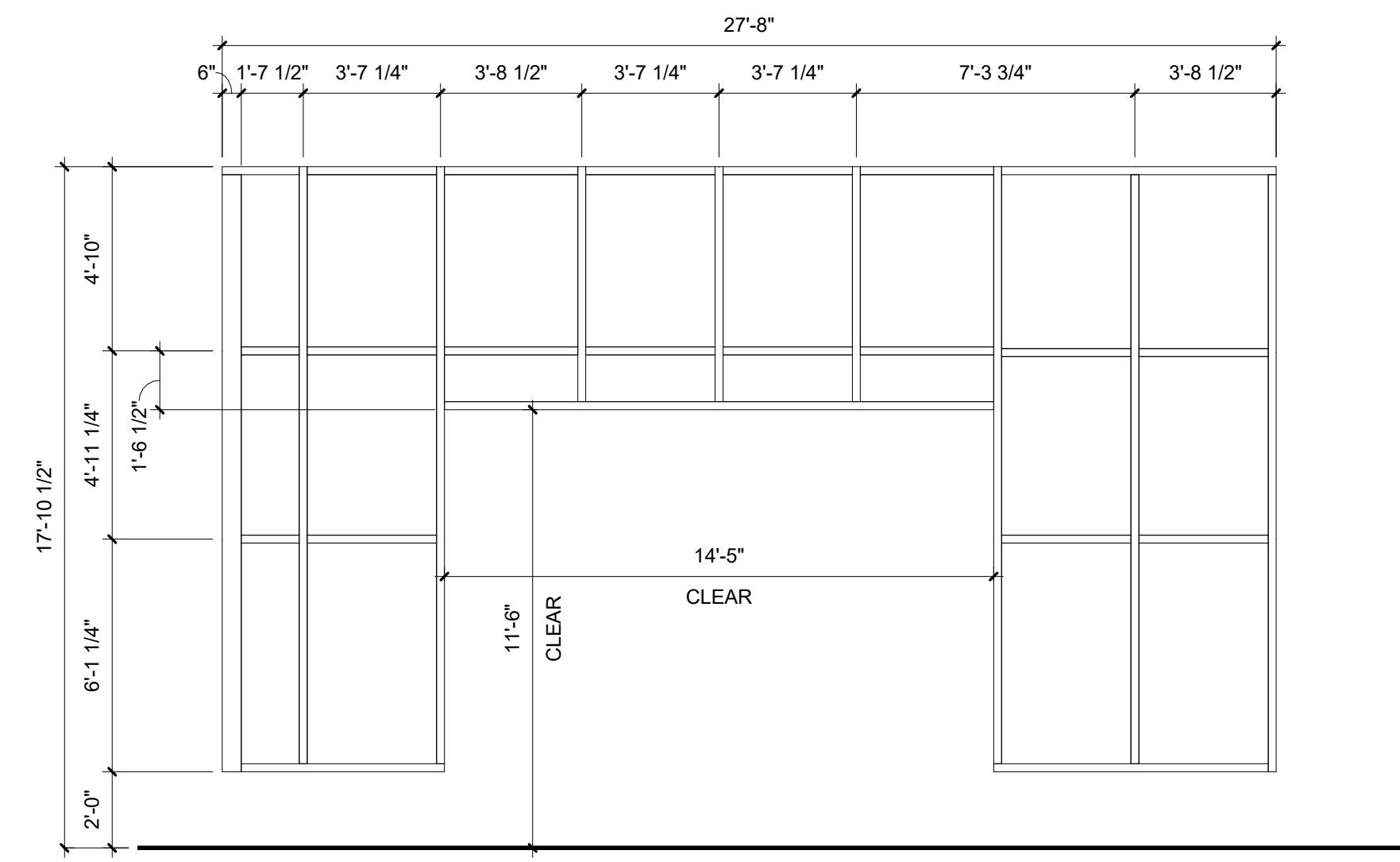
EXTERIOR STOREFRONT, GLAZING TYPE "A"

W4 | 4
 SCALE: 1/4" = 1'-0" | A6.11



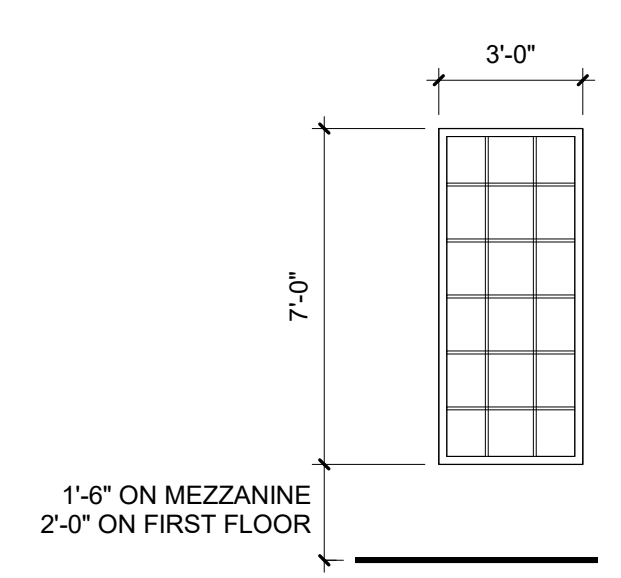
EXTERIOR CURTAIN WALL, GLAZING TYPE "A"

W2 | 2
 SCALE: 1/4" = 1'-0" | A6.11



EXTERIOR CURTAIN WALL, GLAZING TYPE "A"

W1 | 1
 SCALE: 1/4" = 1'-0" | A6.11



EXTERIOR ALUMINUM WINDOW, STEEL REPLICA, GLAZING TYPE "A"

W3 | 3
 SCALE: 1/4" = 1'-0" | A6.11

NOT FOR REGULATORY APPROVAL, PERMITTING, OR CONSTRUCTION

JIM THARP
 01 DECEMBER 2017

DRAWINGS, SPECIFICATIONS AND OTHER DOCUMENTS, PREPARED BY OXLEY WILLIAMS THARP ARCHITECTS, PLLC ARE INSTRUMENTS OF SERVICE FOR USE SOLELY WITH RESPECT TO THIS PROJECT. THIS INCLUDES DOCUMENTS IN ELECTRONIC FORM. OXLEY WILLIAMS THARP ARCHITECTS, PLLC SHALL BE DEEMED THE AUTHORS AND OWNERS OF THEIR RESPECTIVE INSTRUMENTS OF SERVICE AND SHALL RETAIN ALL COMMON LAW, STATUTORY AND OTHER RESERVED RIGHTS, INCLUDING COPYRIGHTS. THE INSTRUMENTS OF SERVICE SHALL NOT BE USED BY THE OWNER FOR FUTURE ADDITIONS OR ALTERATIONS TO THIS PROJECT OR FOR OTHER PROJECTS, WITHOUT THE PRIOR WRITTEN AGREEMENT OF OXLEY WILLIAMS THARP ARCHITECTS, PLLC. ANY UNAUTHORIZED USE OF THE INSTRUMENTS OF SERVICE SHALL BE WITHOUT LIABILITY TO OXLEY WILLIAMS THARP ARCHITECTS, PLLC AND ITS CONSULTANTS.

Revision Schedule		
Rev. #	Revision Description	Revision Date

OWT ARCHITECTS

509 PECAN STREET
 SUITE 100
 FORT WORTH, TX 76102
 817.993.9844
 www.owtarchitects.com

TEXAS GUN EXPERIENCE

1901 SOUTH MAIN STREET
 GRAPEVINE, TEXAS 76051

2016-028-00
 DECEMBER 01, 2017

WINDOW TYPES

A6.11