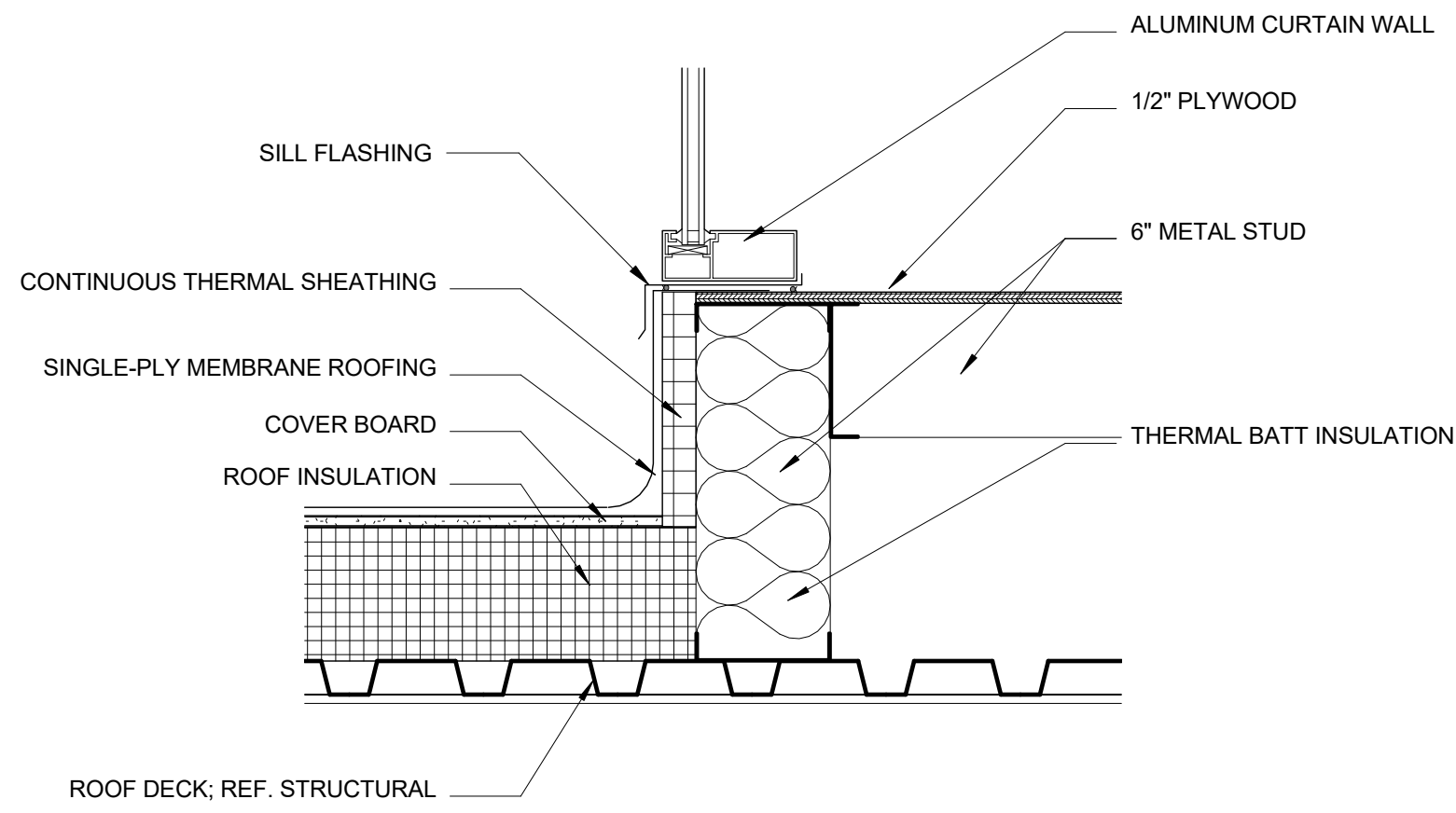
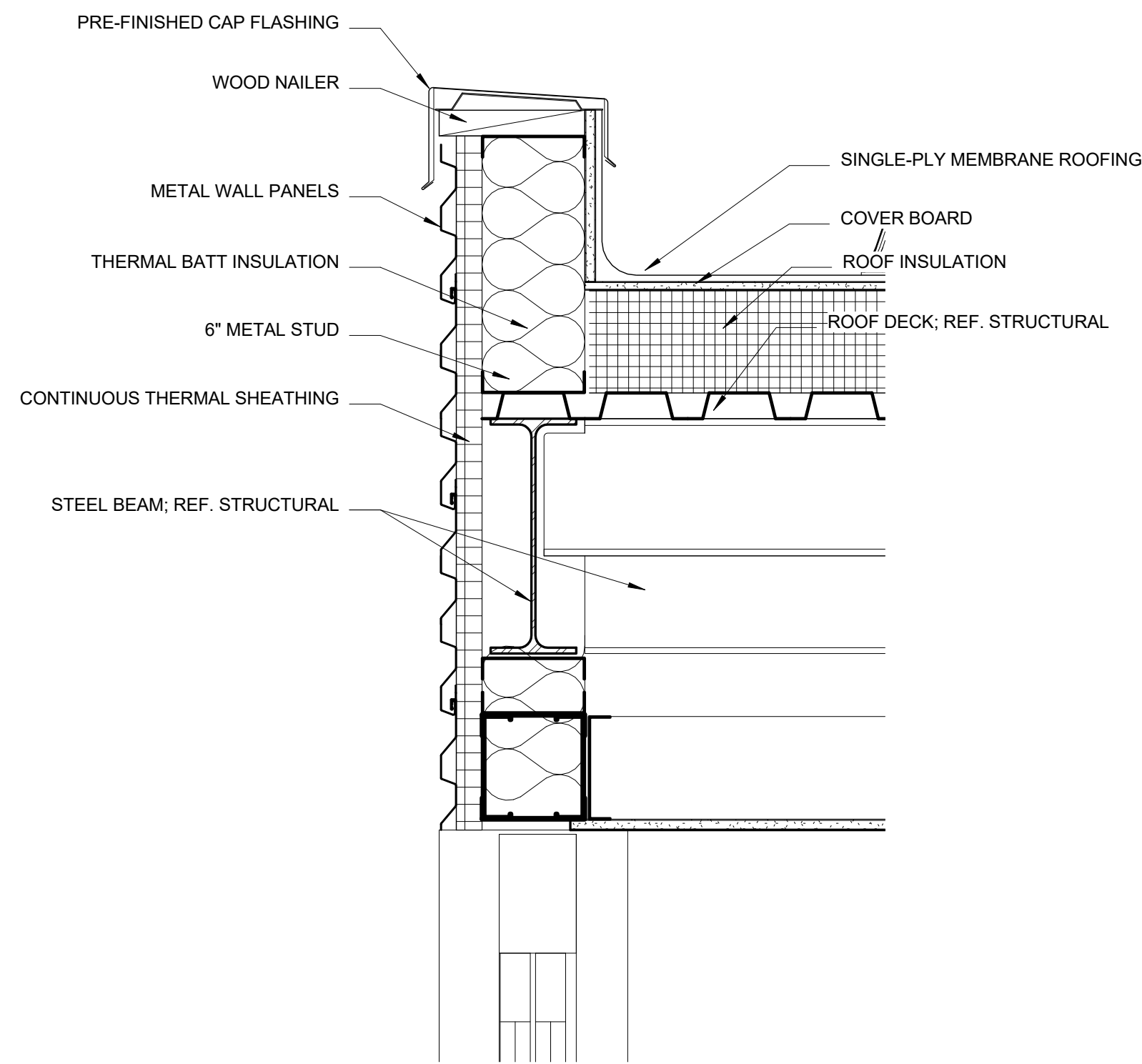


NOT FOR REGULATORY
APPROVAL, PERMITTING,
OR CONSTRUCTION

JIM THARP
01 DECEMBER 2017

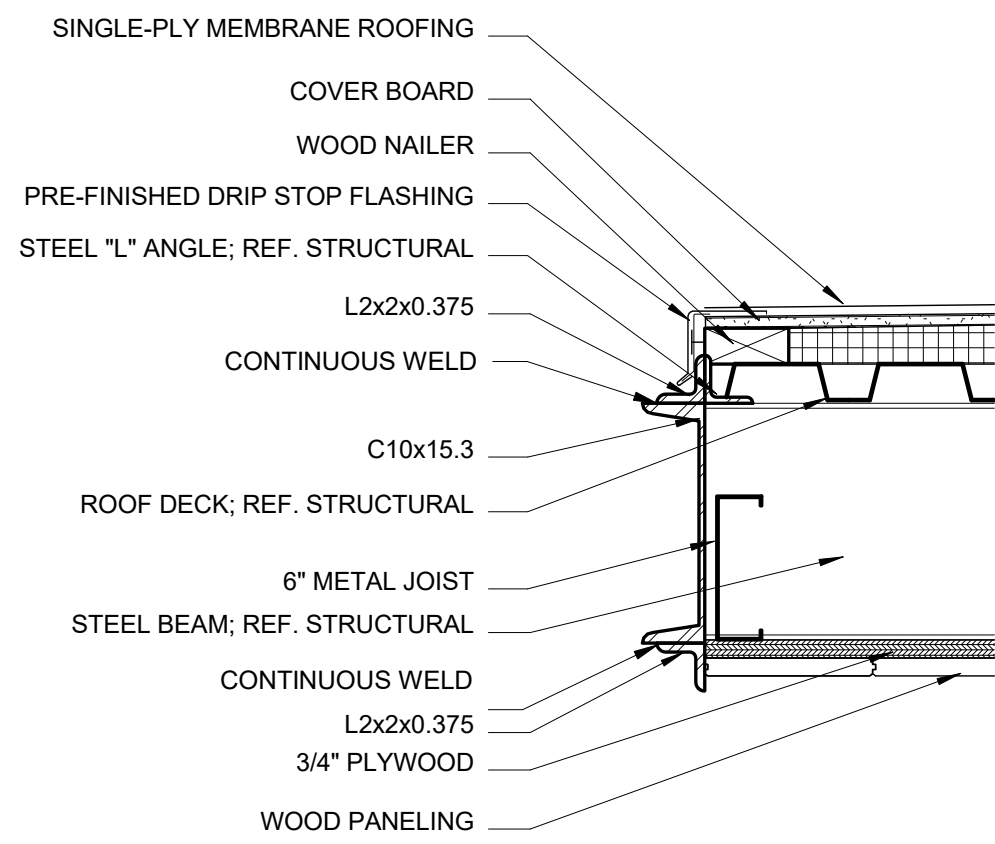
DRAWINGS, SPECIFICATIONS AND OTHER DOCUMENTS, PREPARED BY OXLEY WILLIAMS THARP ARCHITECTS, PLLC ARE INSTRUMENTS OF SERVICE FOR USE SOLELY WITH RESPECT TO THIS PROJECT. THIS INCLUDES DOCUMENTS IN ELECTRONIC FORM. OXLEY WILLIAMS THARP ARCHITECTS, PLLC SHALL BE DEEMED THE AUTHORS AND OWNERS OF THEIR RESPECTIVE INSTRUMENTS OF SERVICE AND SHALL RETAIN ALL COMMON LAW, STATUTORY AND OTHER RESERVED RIGHTS, INCLUDING COPYRIGHTS. THE INSTRUMENTS OF SERVICE SHALL NOT BE USED BY THE OWNER FOR FUTURE ADDITIONS OR ALTERATIONS TO THIS PROJECT OR FOR OTHER PROJECTS, WITHOUT THE PRIOR WRITTEN AGREEMENT OF OXLEY WILLIAMS THARP ARCHITECTS, PLLC. ANY UNAUTHORIZED USE OF THE INSTRUMENTS OF SERVICE SHALL BE WITHOUT LIABILITY TO OXLEY WILLIAMS THARP ARCHITECTS, PLLC AND ITS CONSULTANTS.

Revision Schedule		
Rev. #	Revision Description	Revision Date

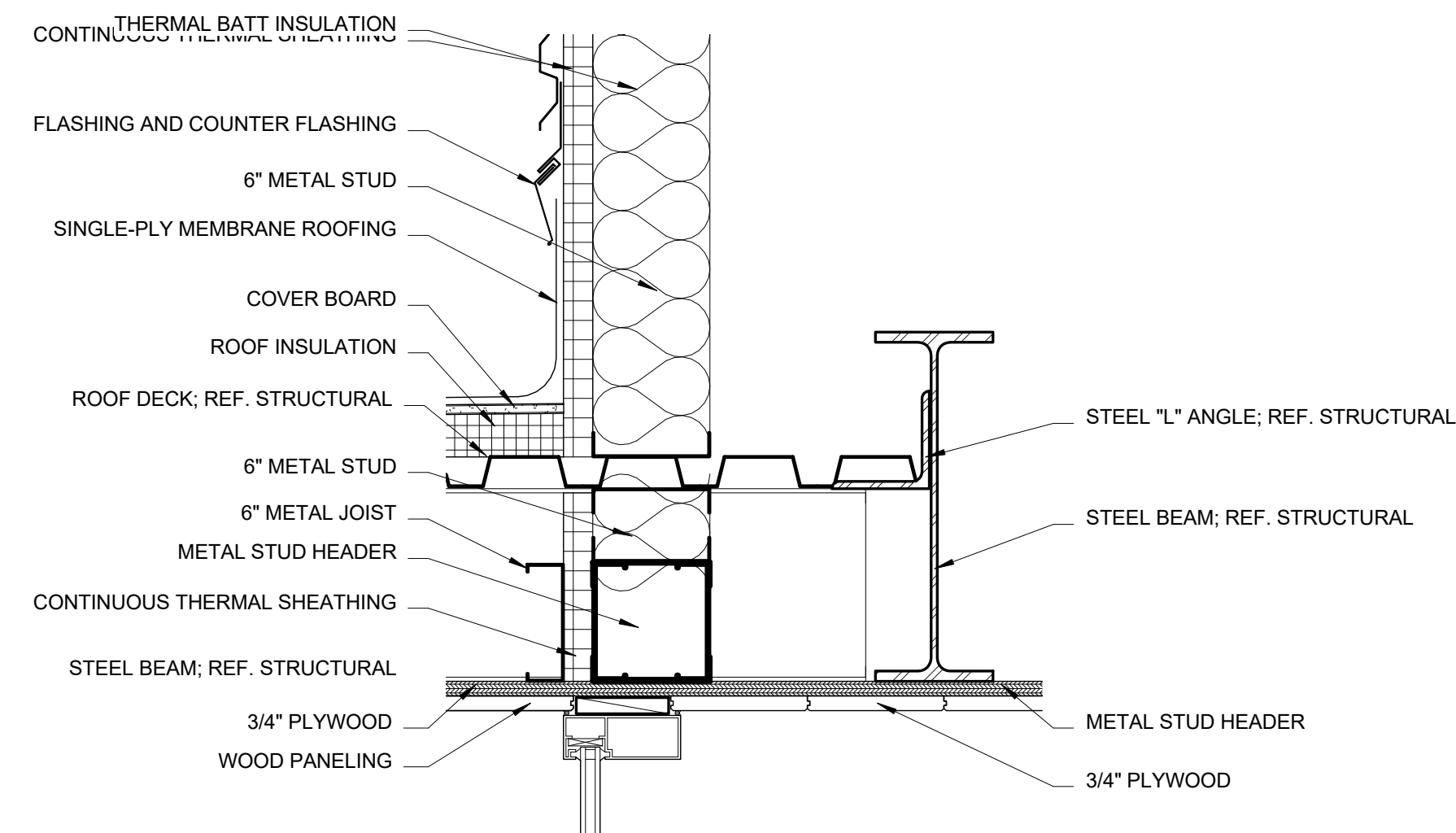


SECTION DETAIL - ENTRY VESTIBULE 5
SCALE: 1 1/2" = 1'-0" A4.01

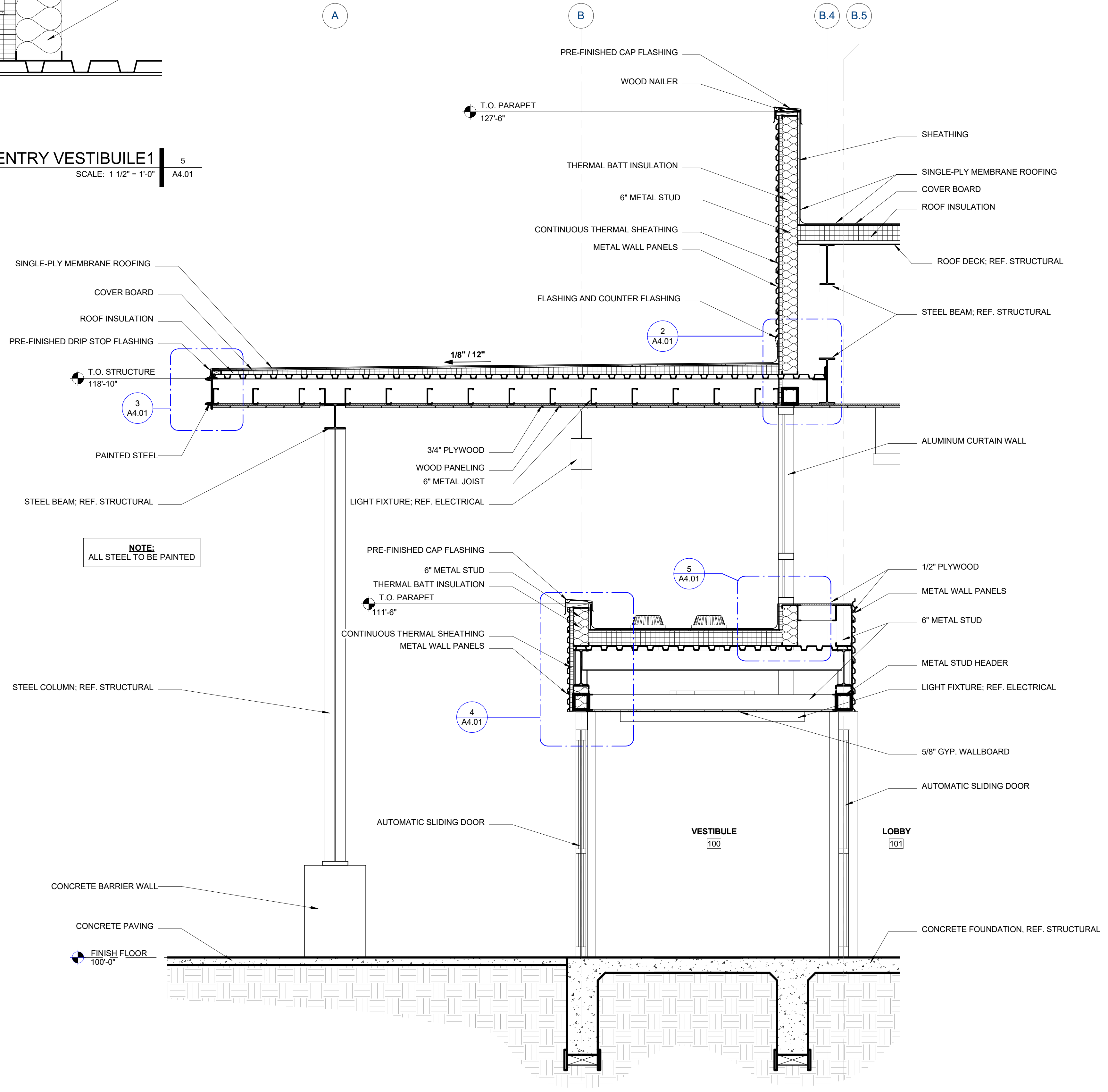
SECTION DETAIL - ENTRY VESTIBULE 4
SCALE: 1 1/2" = 1'-0" A4.01



SECTION DETAIL - ENTRY CANOPY EDGE 3
SCALE: 1 1/2" = 1'-0" A4.01



SECTION DETAIL - ENTRY CANOPY @ WALL 2
SCALE: 1 1/2" = 1'-0" A4.01



WALL SECTION - WEST ENTRY 1
SCALE: 1/2" = 1'-0" A4.01

OWT ARCHITECTS

509 PECAN STREET
SUITE 100
FORT WORTH, TX 76102
817.993.9844

www.owtarchitects.com

TEXAS GUN
EXPERIENCE

1901 SOUTH MAIN STREET
GRAPEVINE, TEXAS 76051

2016-028-00
DECEMBER 01, 2017

WALL SECTIONS

A4.01