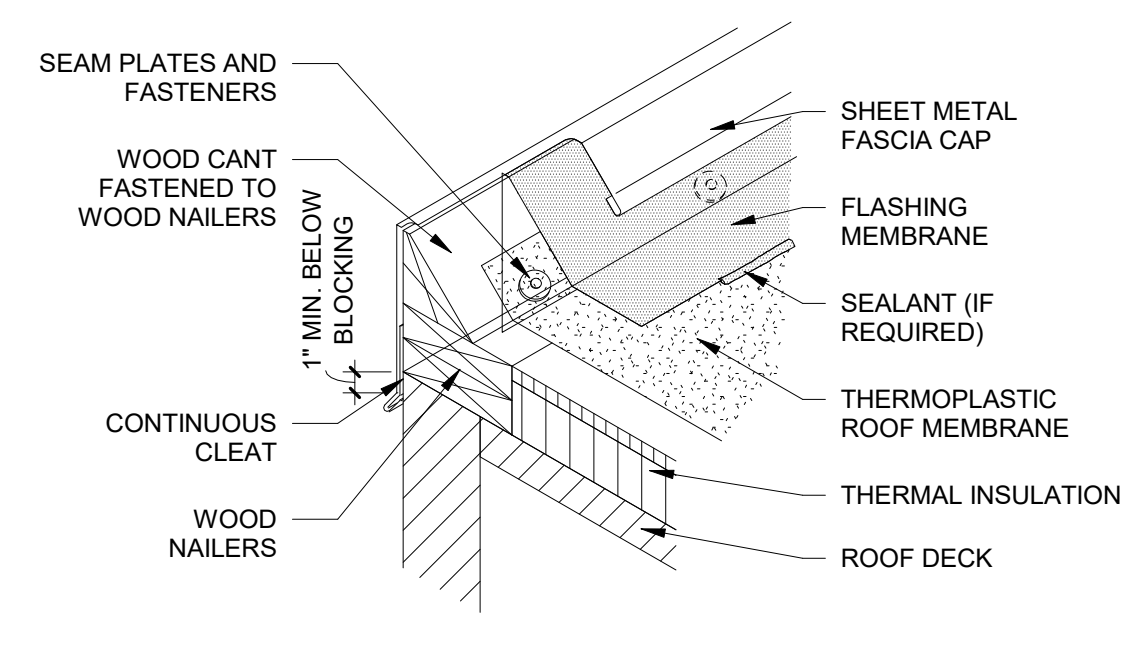
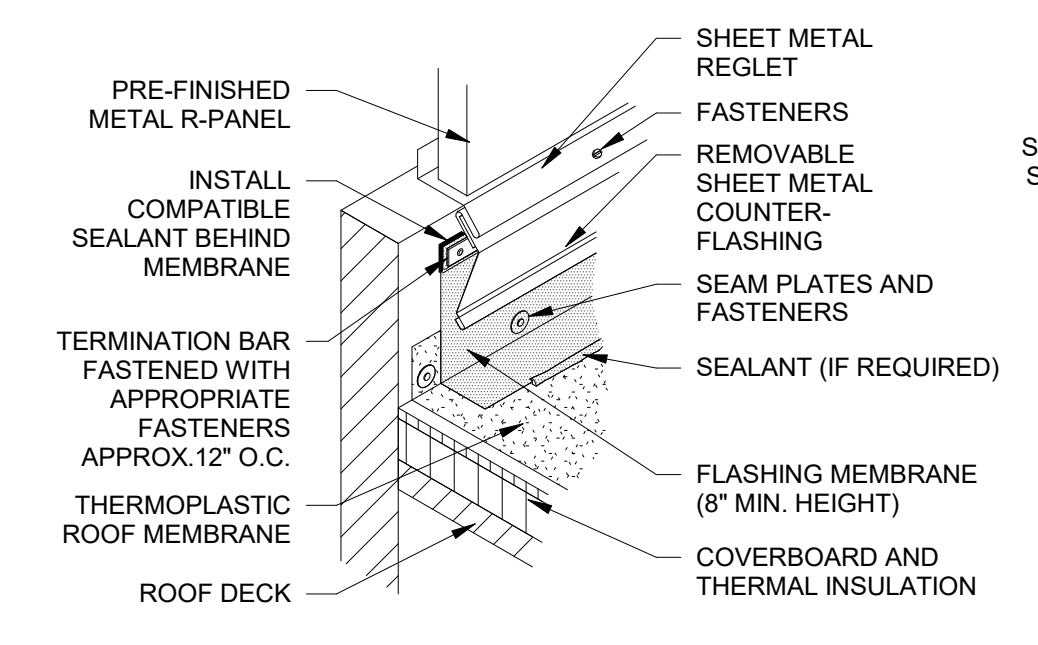


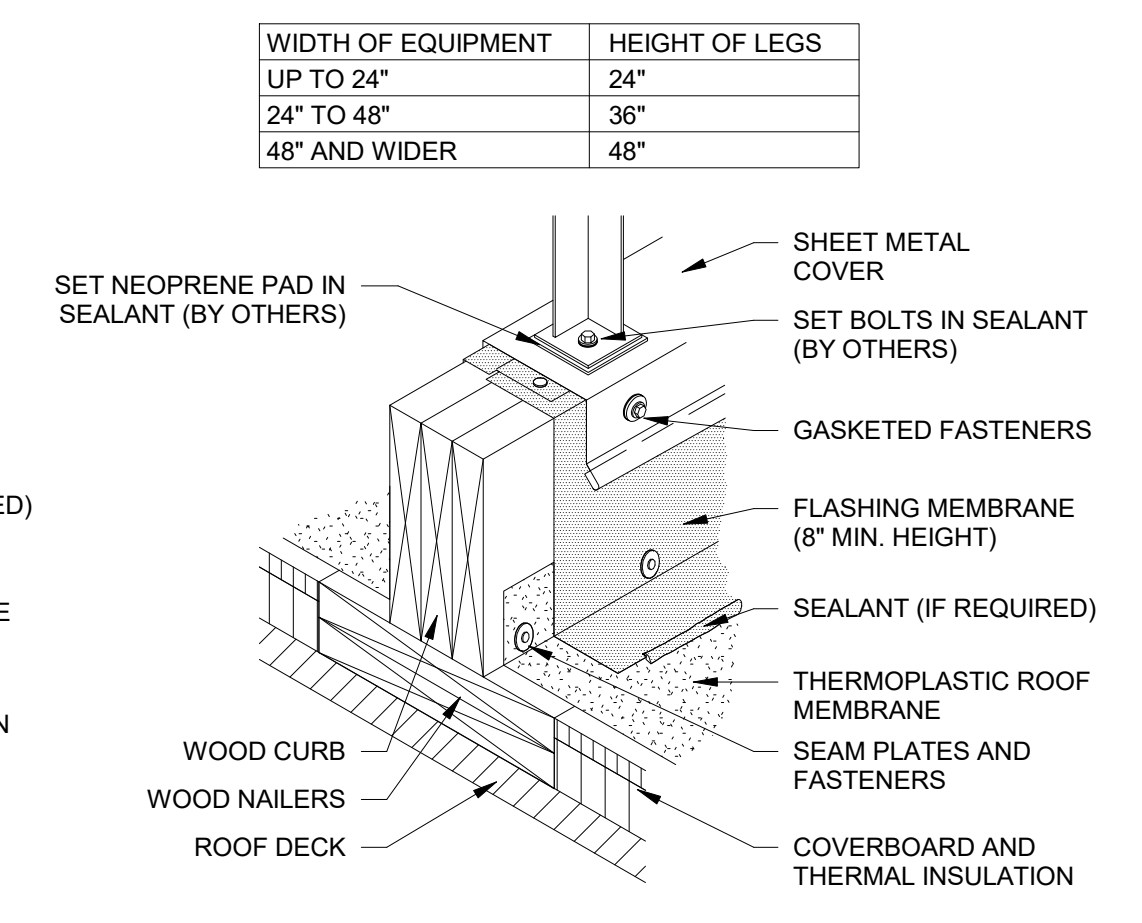
**ROOF DETAIL 7**  
SCALE: 1" = 1'-0" A2.31



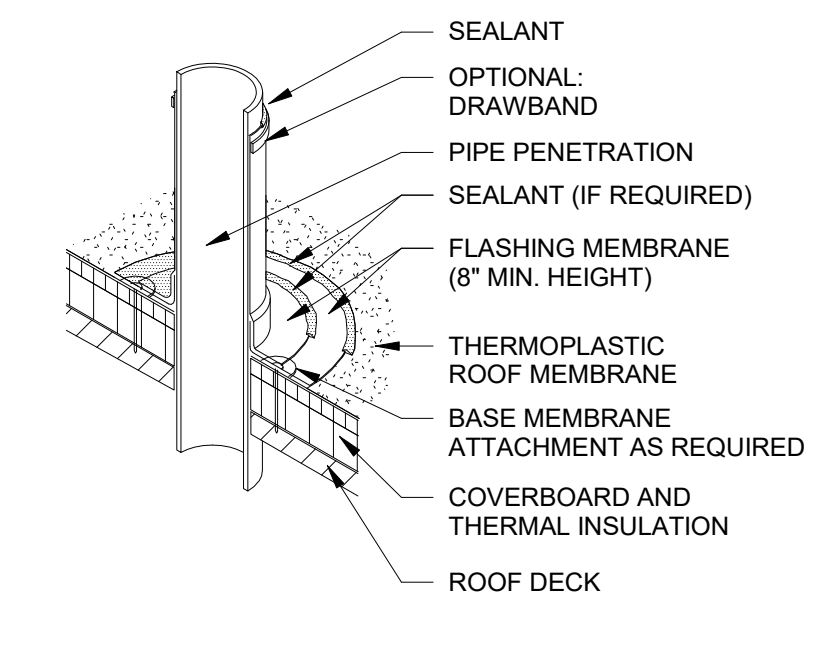
**ROOF DETAIL 6**  
SCALE: 1 1/2" = 1'-0" A2.31



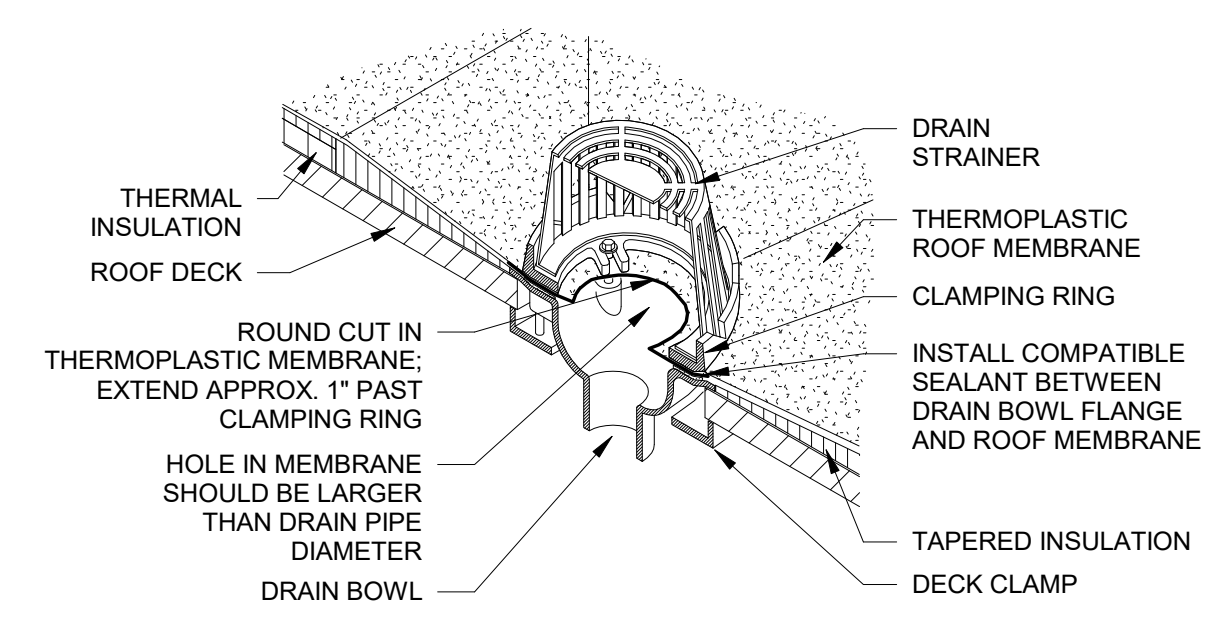
**ROOF DETAIL 5**  
SCALE: 1 1/2" = 1'-0" A2.31



**ROOF DETAIL 4**  
SCALE: 1 1/2" = 1'-0" A2.31

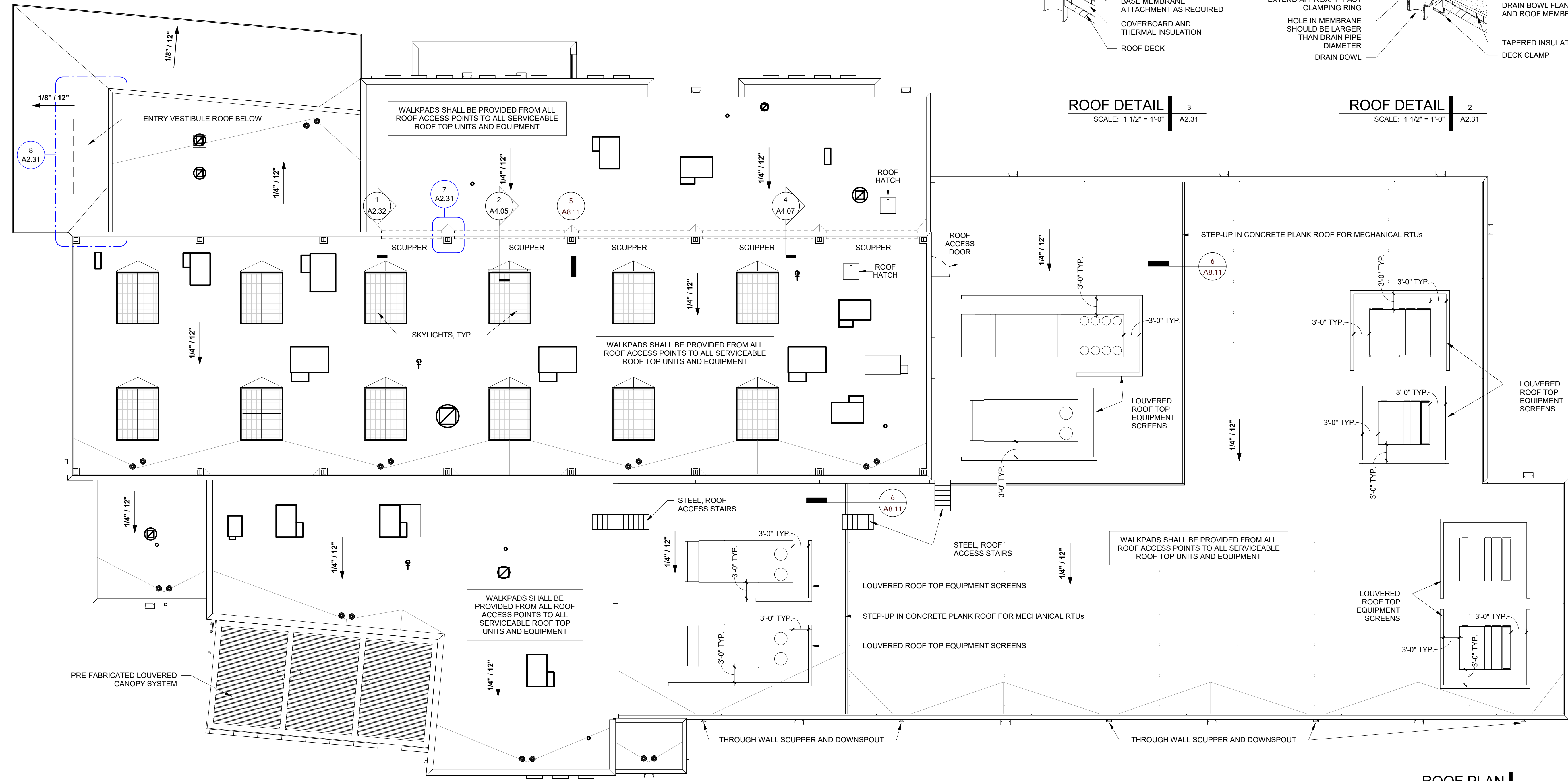


**ROOF DETAIL 3**  
SCALE: 1 1/2" = 1'-0" A2.31



**ROOF DETAIL 2**  
SCALE: 1 1/2" = 1'-0" A2.31

**LOW ROOF PLAN - ENTRY VESTIBULE**  
SCALE: 1/8" = 1'-0" A2.31

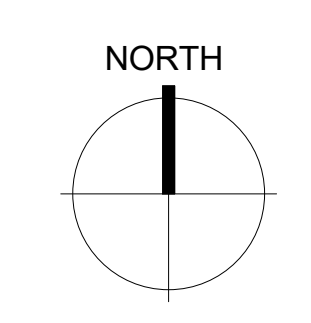
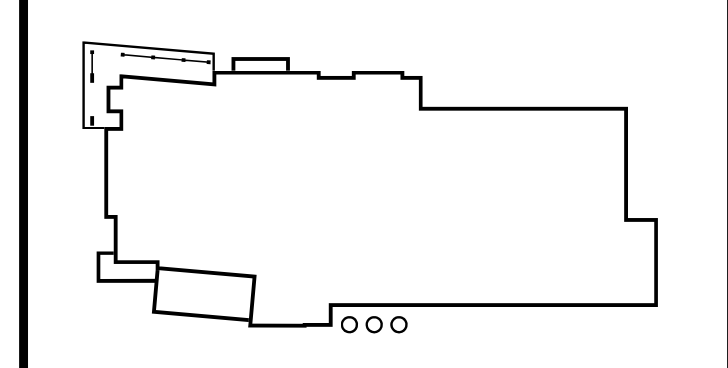


**ROOF PLAN 1**  
SCALE: 3/32" = 1'-0" A2.31

**NOT FOR REGULATORY APPROVAL, PERMITTING, OR CONSTRUCTION**

JIM THARP  
01 DECEMBER 2017  
DRAWINGS, SPECIFICATIONS AND OTHER DOCUMENTS, PREPARED BY OWY WILLIAMS THARP ARCHITECTS, PLLC ARE INSTRUMENTS OF SERVICE FOR USE SOLELY WITH RESPECT TO THIS PROJECT. THIS INCLUDES DOCUMENTS IN ELECTRONIC FORM OWY WILLIAMS THARP ARCHITECTS, PLLC SHALL BE DEEMED THE AUTHORS AND OWNERS OF THEIR RESPECTIVE INSTRUMENTS OF SERVICE AND SHALL RETAIN ALL COMMON LAW, STATUTORY AND OTHER RESERVED RIGHTS, INCLUDING COPYRIGHTS. THE INSTRUMENTS OF SERVICE SHALL NOT BE USED BY THE OWNER FOR FUTURE ADDITIONS OR ALTERATIONS TO THIS PROJECT OR FOR OTHER PROJECTS, WITHOUT THE PRIOR WRITTEN AGREEMENT OF OWY WILLIAMS THARP ARCHITECTS, PLLC. ANY UNAUTHORIZED USE OF THE INSTRUMENTS OF SERVICE SHALL BE WITHOUT LIABILITY TO OWY WILLIAMS THARP ARCHITECTS, PLLC AND ITS CONSULTANTS.

Revision Schedule		
Rev. #	Revision Description	Revision Date



**OWT ARCHITECTS**  
509 PECAN STREET SUITE 100  
FORT WORTH, TX 76102  
817.993.9844  
www.owtarchitects.com

**TEXAS GUN EXPERIENCE**  
1901 SOUTH MAIN STREET  
GRAPEVINE, TEXAS 76051  
2016-028-00  
DECEMBER 01, 2017

**ROOF PLAN**

**A2.31**