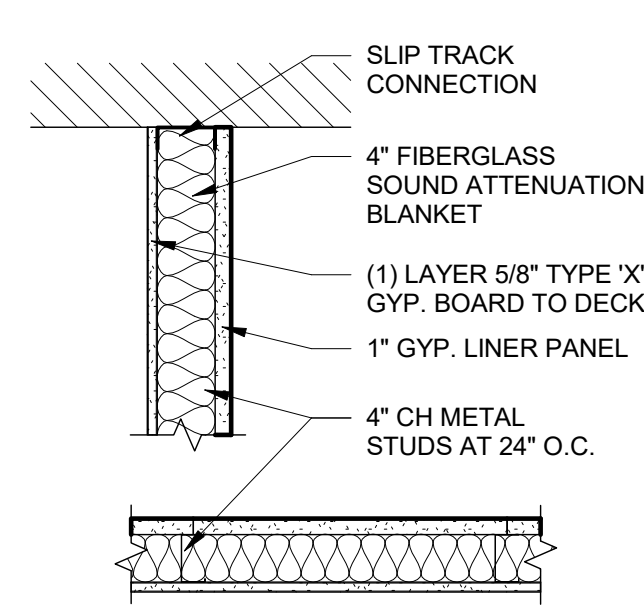


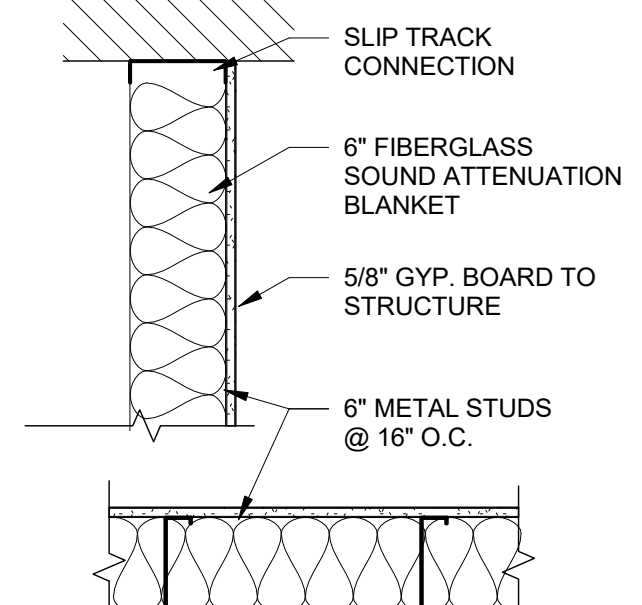
WALL TYPE F1

1 HR RATED, UL DESIGN NO.: U419
STC RATING: 49



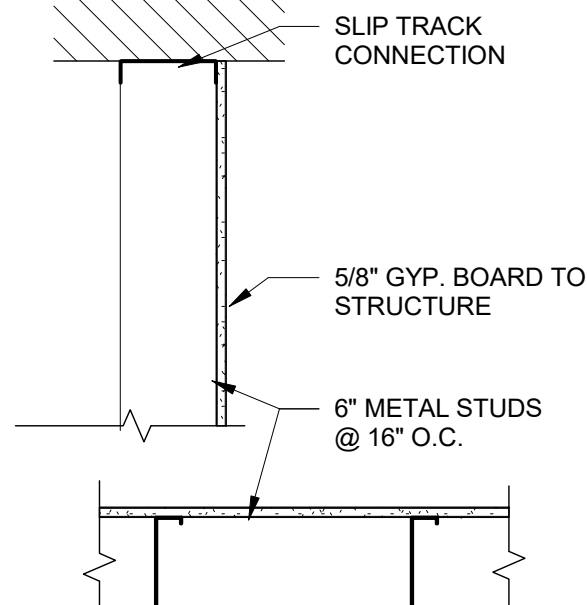
WALL TYPE S1

1 HR RATED, SHAFT WALL, UL DESIGN NO.: U415
STC RATING: 39



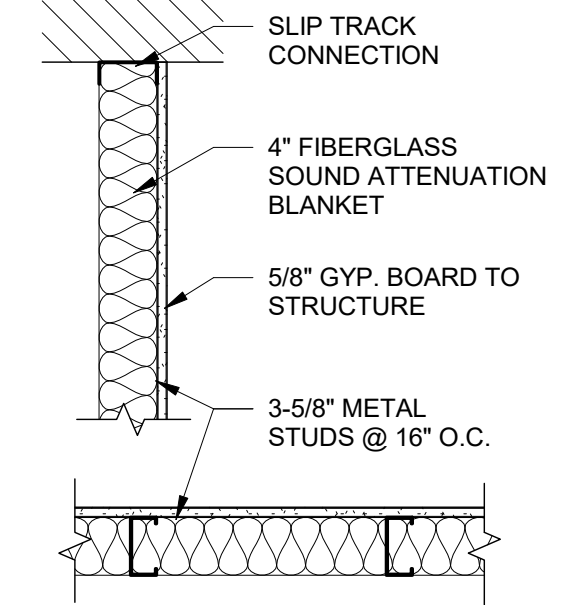
WALL TYPE B14

NON-RATED



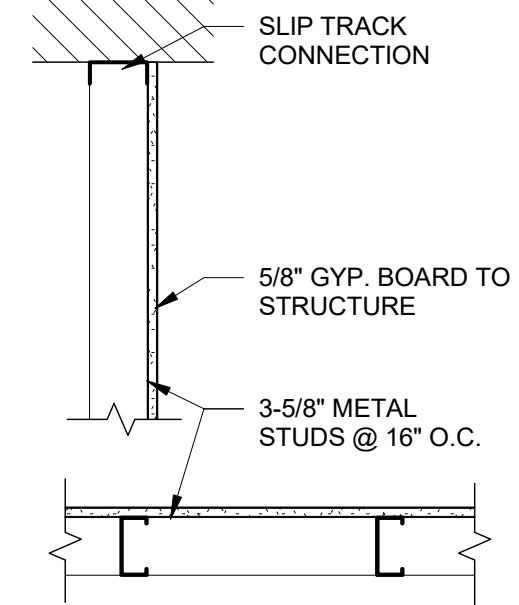
WALL TYPE B13

NON-RATED



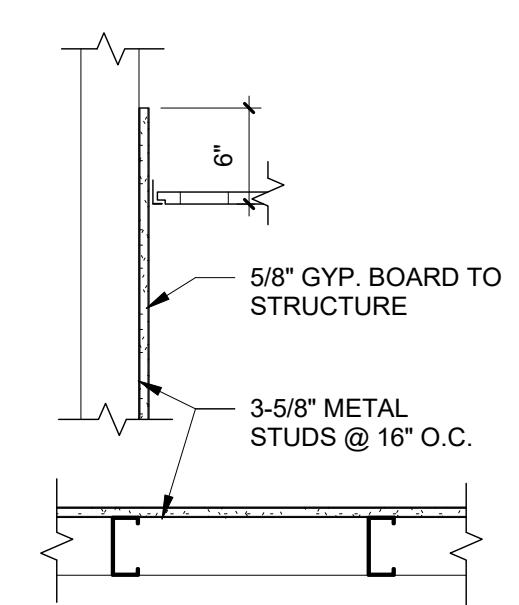
WALL TYPE B10

NON-RATED



WALL TYPE B9

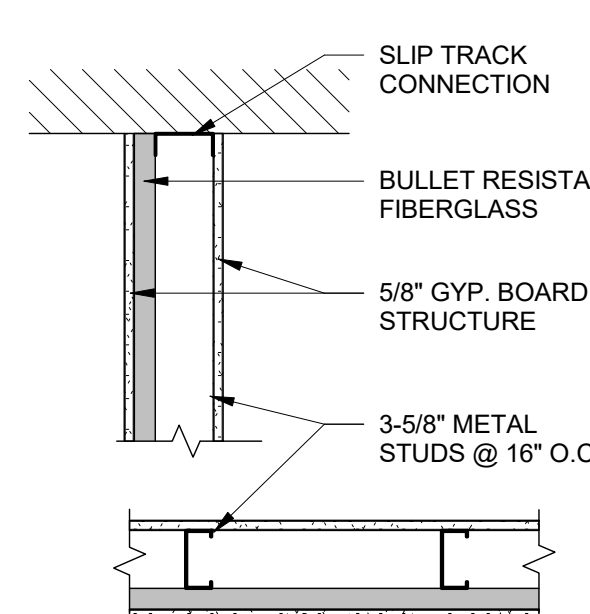
NON-RATED



WALL TYPE B7

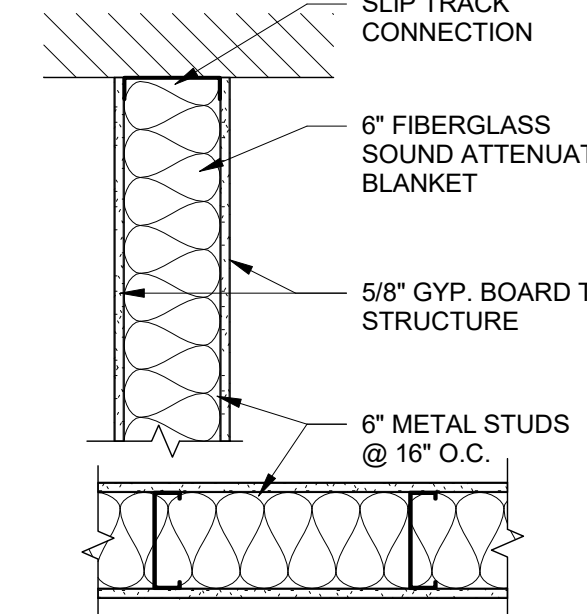
NON-RATED

- NOTES:**
- WALL TYPE TO CONTINUE AT DOOR & WINDOW OPENINGS (TOP & BOTTOM) U.N.O.
 - THE INTENT OF ACOUSTICAL PARTITIONS IS TO ACHIEVE AS HIGH AN STC RATING AS POSSIBLE WITHOUT USING ACOUSTICAL SEALANT. RUN GYP. BOARD AS TIGHT AS POSSIBLE AT FLOORS, CEILINGS & PENETRATIONS U.N.O.
 - USE WATER RESISTANT GYP. BOARD AT ALL WET WALL LOCATIONS AND AROUND EXTERIOR WINDOW AND DOOR OPENINGS.
 - USE TILE BACKER BOARD BEHIND ALL WALL TILE.
 - REFER TO REFLECTED CEILING PLAN FOR CEILING HEIGHTS.



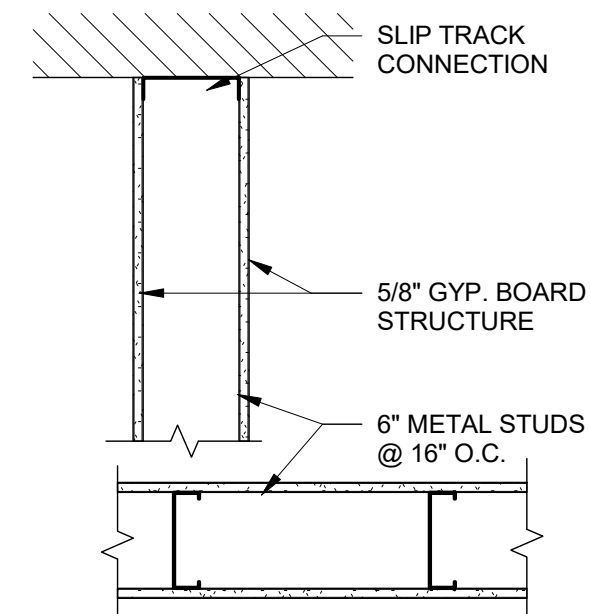
WALL TYPE R1

LEVEL FOUR BULLET RESISTIVE



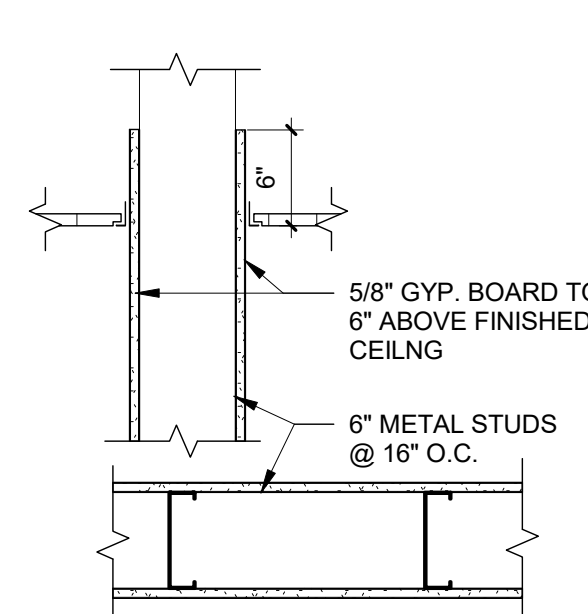
WALL TYPE A8

NON-RATED STC 45



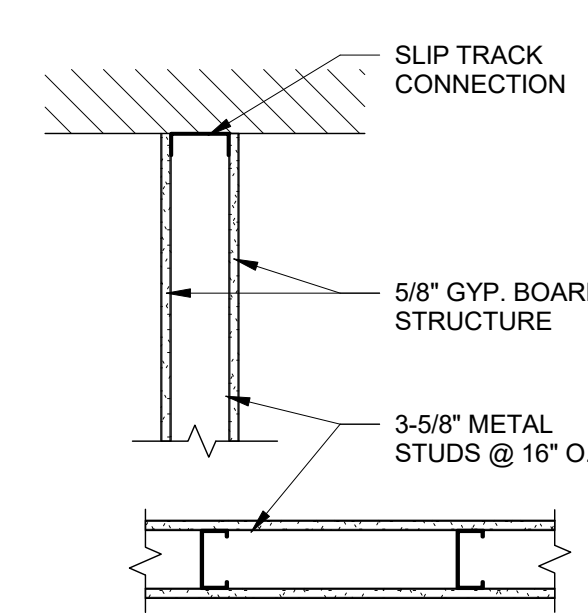
WALL TYPE A7

NON-RATED



WALL TYPE A5

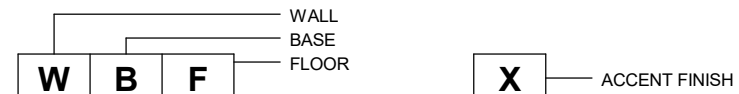
NON-RATED



WALL TYPE A3

NON-RATED

FINISH LEGEND



- P1 - PAINT (FIELD, LIGHT)**
MANUF.: TBD
COLOR: TBD
FINISH: EGGSHELL
TEXTURE: ORANGE PEEL
TAPE, BED, TEXTURE, AND PAINT
- P2 - ACCENT PAINT (MEDIUM)**
MANUF.: TBD
COLOR: TBD
FINISH: EGGSHELL
TEXTURE: ORANGE PEEL
TAPE, BED, TEXTURE, AND PAINT
- P3 - ACCENT PAINT (DARK)**
MANUF.: TBD
COLOR: TBD
FINISH: EGGSHELL
TEXTURE: ORANGE PEEL
TAPE, BED, TEXTURE, AND PAINT
- P4 - CEILING PAINT, GYP. BOARD**
MANUF.: TBD
COLOR: TBD
FINISH: FLAT
TEXTURE: ORANGE PEEL
TAPE, BED, TEXTURE, AND PAINT
- P5 - CEILING PAINT, EXPOSED STRUCTURE & DUCTWORK, TYP.**
UNLESS NOTED OTHERWISE
MANUF.: TBD
COLOR: TBD
- P6 - H.M. DOOR FRAMES**
COLOR: TBD

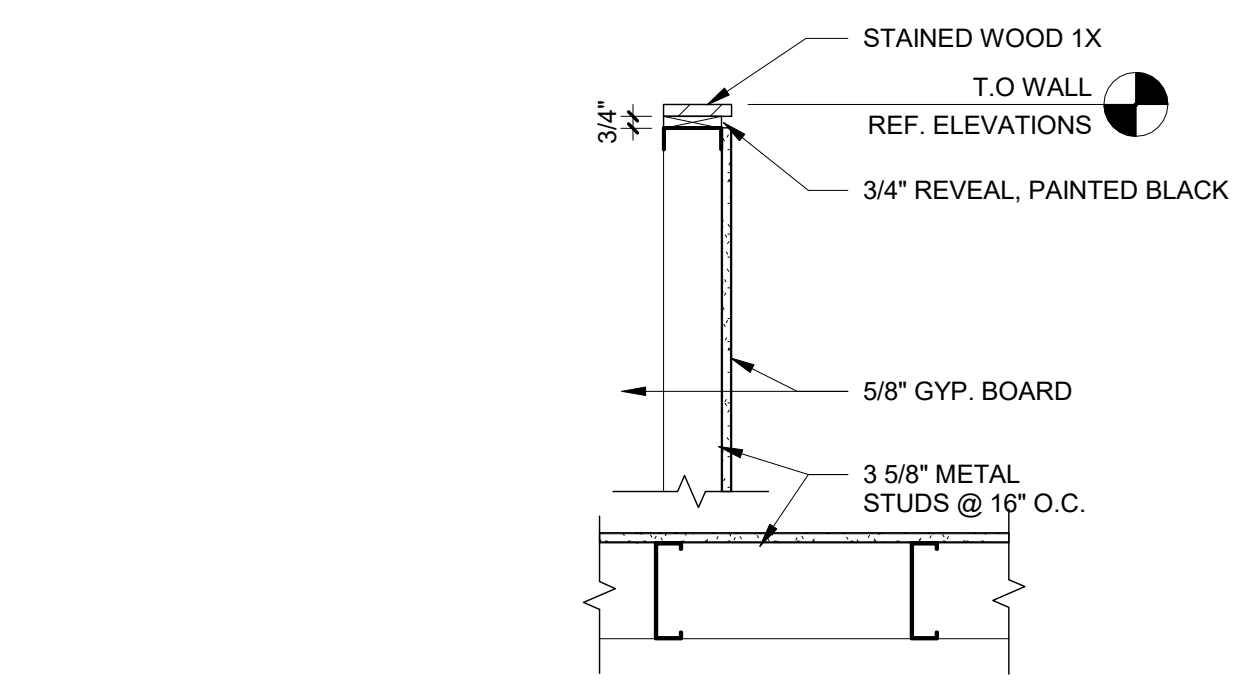
- RB - RUBBER BASE, 4" TALL**
MANUF.: TBD
COLOR: TBD
- TB - TILE BASE**
SIZE: TBD
DISTR.: TBD
STYLE: TBD
EPOXY GROUT: TBD
GROUT COLOR: TBD
- WB - WOOD BASE, 4" TALL**
COLOR: TBD
- MP - CORRUGATED METAL PANEL**
DISTR.: BERRIDGE
SERIES: HR-16 METAL WALL PANEL
COLOR: TBD

- CT1 - CARPET TILE**
DISTR.: TBD
COLLECTION: TBD
STYLE: TBD
COLOR: TBD
SIZE: TBD
INSTALL: TBD
- PC - POLISHED AND STAINED CONCRETE**
- T1 - FLOOR TILE**
DISTR.: TBD
SERIES: TBD
STYLE: TBD
EPOXY GROUT: TBD
COLOR: TBD
- VCT - 12 x 12, STATIC DISSIPATIVE VINYL COMPOSITION TILE**
MANUF.: TBD
SERIES: TBD
COLOR: TBD

- PL1 - PLASTIC LAMINATE - CABINETS AND COUNTER TOPS**
MANUF.: TBD
COLOR: TBD
- PL2 - PLASTIC LAMINATE -**
MANUF.: TBD
COLOR: TBD
- QS1 - QUARTZ SURFACE**
MANUF.: TBD
COLOR: TBD
- FRP - FIBER REINFORCED PLASTIC**
DISTR.: TBD
SERIES: TBD
COLOR: TBD
- CG - CORNER GUARDS**
MANUF.: TBD
1-1/2" WING LENGTH, 8" TALL
COLOR: TBD
- WINDOW SHADES**
MANUF.: TBD
COLLECTION: TBD
SERIES: TBD
COLOR: TBD

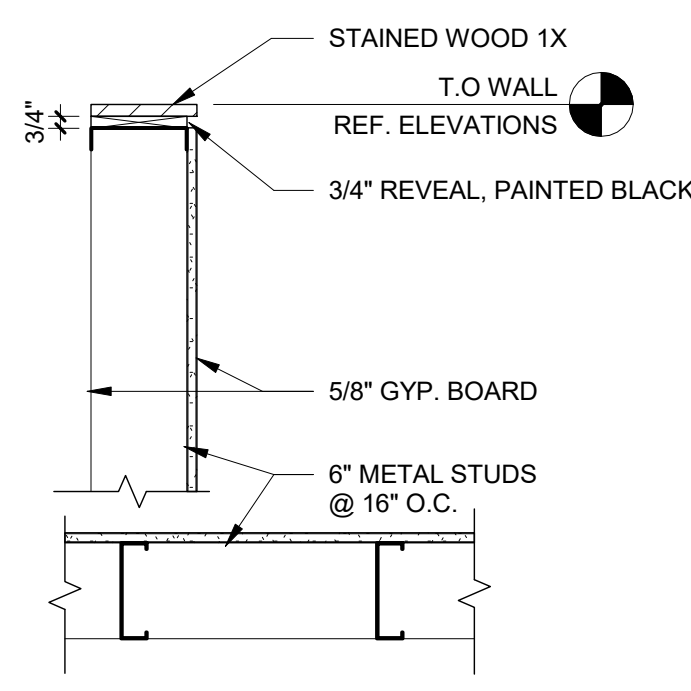
- GENERAL NOTES**
- REFER TO SHEET A2.14 FOR TYPICAL TRANSITION DETAILS
 - FINISH TAGS MAY BE FOUND ON WALL TYPES AND FINISHES PLANS AND INTERIOR ELEVATIONS.
 - ALL FINISH MATERIALS TO MEET OR EXCEED THE REQUIREMENTS OF A CLASS B FINISH. SEE SPECIFICATIONS FOR FURTHER INFORMATION.
 - CONTRACTOR SHALL PROVIDE MOCKUPS OF ALL PAINT COLORS IN THE LIGHTING ENVIRONMENT SPECIFIED FOR DESIGNER APPROVAL PRIOR TO PROCEEDING.
 - REF. SPECIFICATIONS FOR ADDITIONAL INFORMATION PERTAINING TO FINISH LEGEND AND APPROVED EQUALS.
 - WHERE NO WALL TILE BASE IS SCHEDULED, RUN WALL TILE OVER FLOOR TILE, PROVIDE CLEAR CONTINUOUS SEALANT AT JUNCTION.
 - REF. INTERIOR ELEVATIONS IN ROOMS THAT HAVE MORE THAN ONE WALL FINISH FOR CLARIFICATION ON LOCATIONS.
 - FOR ALL FLOOR AND WALL TILES: CONTRACTOR TO PROVIDE TILE TRIM PIECES FOR EXPOSED EDGES, SURFACE CAPS, COVE BASE, CORNERS, AND OUTCORNERS TO COMPLETE DESIGN INTENT OF ARCHITECT.
 - REF. DOOR SCHEDULE FOR DOOR FINISHES.

- WT - WALL TILE**
SIZE & PATTERN TBD
DISTR.: TBD
SERIES: TBD
STYLE: TBD
EPOXY GROUT: TBD
GROUT COLOR: TBD
- MP - CORRUGATED METAL PANEL**
DISTR.: BERRIDGE
SERIES: HR-16 METAL WALL PANEL
COLOR: TBD
- PW - 3/4" FIRE-TREATED PLYWOOD MOUNTED WALLS, PAINTED.**
COLOR: TBD
- FRP - FIBER REINFORCED PLASTIC**
MANUF.: MARLITE
COLOR: TBD
- MINERAL PROFILE PANELING**
MANUF.: REF. SPECIFICATIONS
PATTERN: REF. SPECIFICATIONS



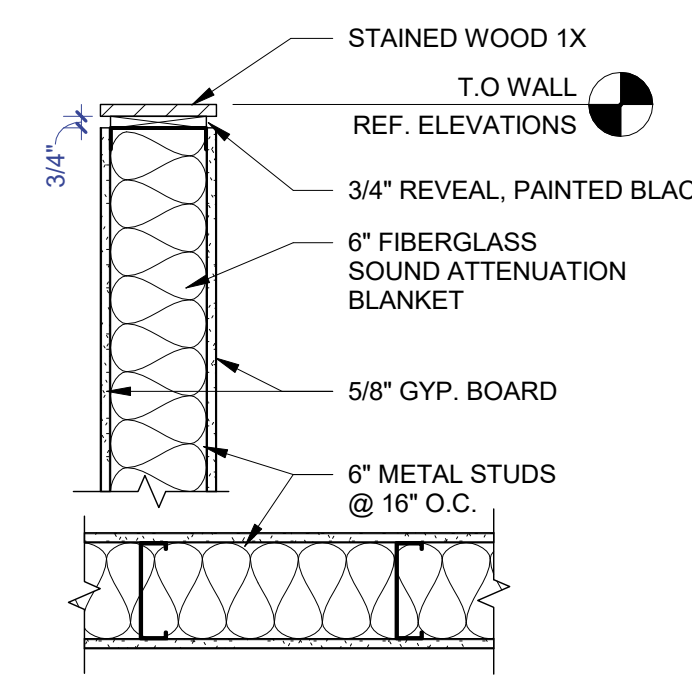
WALL TYPE C3

NON-RATED



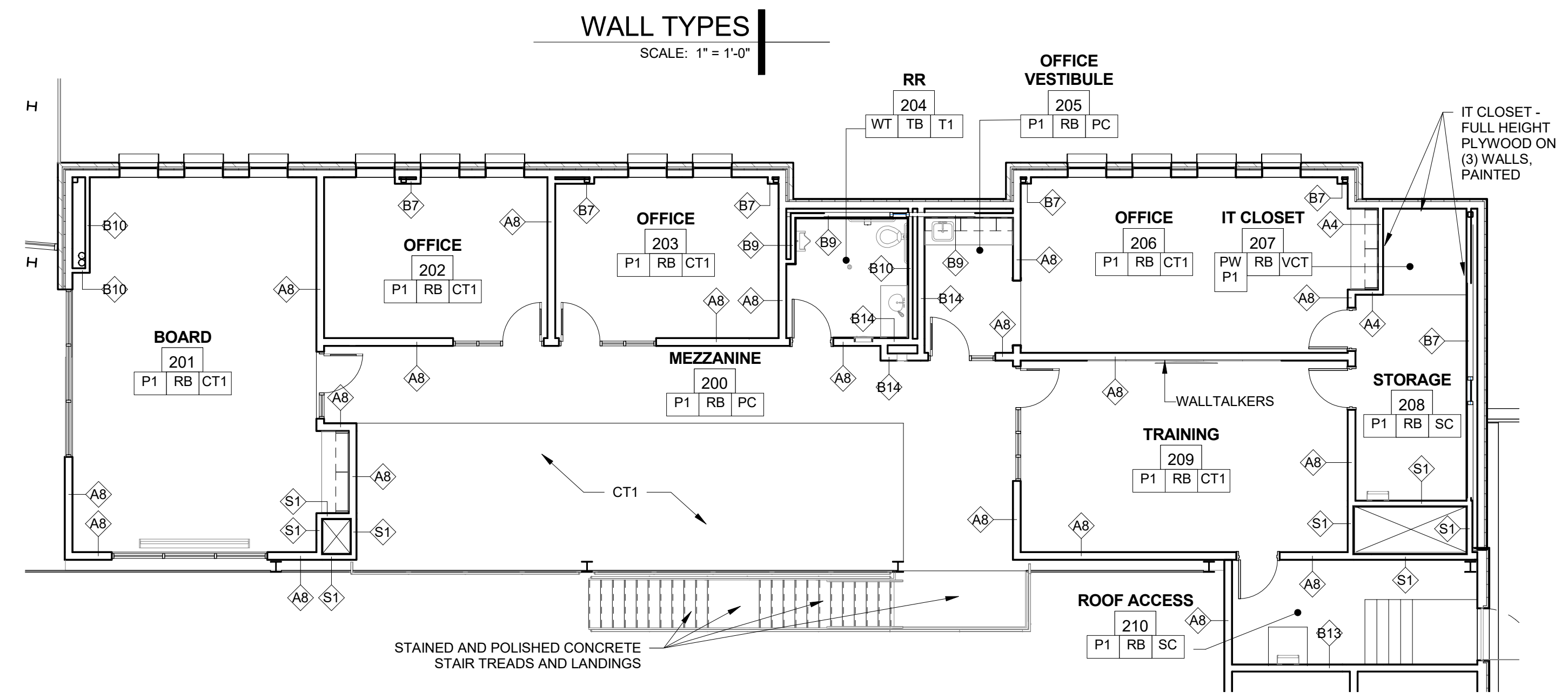
WALL TYPE C2

NON-RATED



WALL TYPE C1

NON-RATED

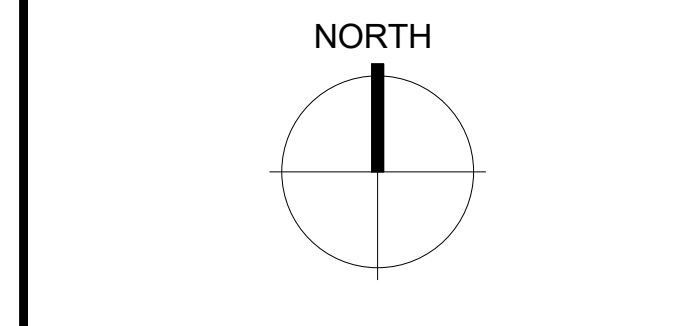
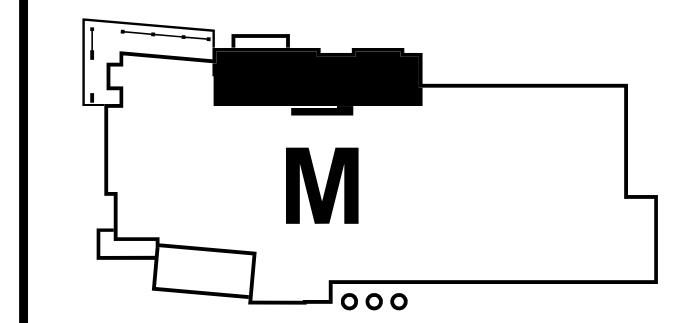


WALL TYPES & FINISH PLAN - MEZZANINE
SCALE: 1/8" = 1'-0" 1 A2.13

NOT FOR REGULATORY APPROVAL, PERMITTING, OR CONSTRUCTION

JIM THARP
01 DECEMBER 2017
DRAWINGS, SPECIFICATIONS AND OTHER DOCUMENTS, PREPARED BY OWEY WILLIAMS THARP ARCHITECTS, PLLC ARE INSTRUMENTS OF SERVICE FOR USE SOLELY WITH RESPECT TO THIS PROJECT. THIS INCLUDES DOCUMENTS IN ELECTRONIC FORM AND OWEY WILLIAMS THARP ARCHITECTS, PLLC SHALL BE DEEMED THE AUTHORS AND OWNERS OF THEIR RESPECTIVE INSTRUMENTS OF SERVICE AND SHALL RETAIN ALL COMMON LAW, STATUTORY AND OTHER RESERVED RIGHTS, INCLUDING COPYRIGHTS. THE INSTRUMENTS OF SERVICE SHALL NOT BE USED BY THE OWNER FOR FUTURE ADDITIONS OR ALTERATIONS TO THIS PROJECT OR FOR OTHER PROJECTS, WITHOUT THE PRIOR WRITTEN AGREEMENT OF OWEY WILLIAMS THARP ARCHITECTS, PLLC. ANY UNAUTHORIZED USE OF THE INSTRUMENTS OF SERVICE SHALL BE WITHOUT LIABILITY TO OWEY WILLIAMS THARP ARCHITECTS, PLLC AND ITS CONSULTANTS.

Revision Schedule		
Rev. #	Revision Description	Revision Date



OWT ARCHITECTS
509 PECAN STREET SUITE 100
FORT WORTH, TX 76102
817.993.9844
www.owtarchitects.com

TEXAS GUN EXPERIENCE
1901 SOUTH MAIN STREET
GRAPEVINE, TEXAS 76051
2016-028-00
DECEMBER 01, 2017

WALL TYPES & FINISH PLAN - MEZZANINE

A2.13