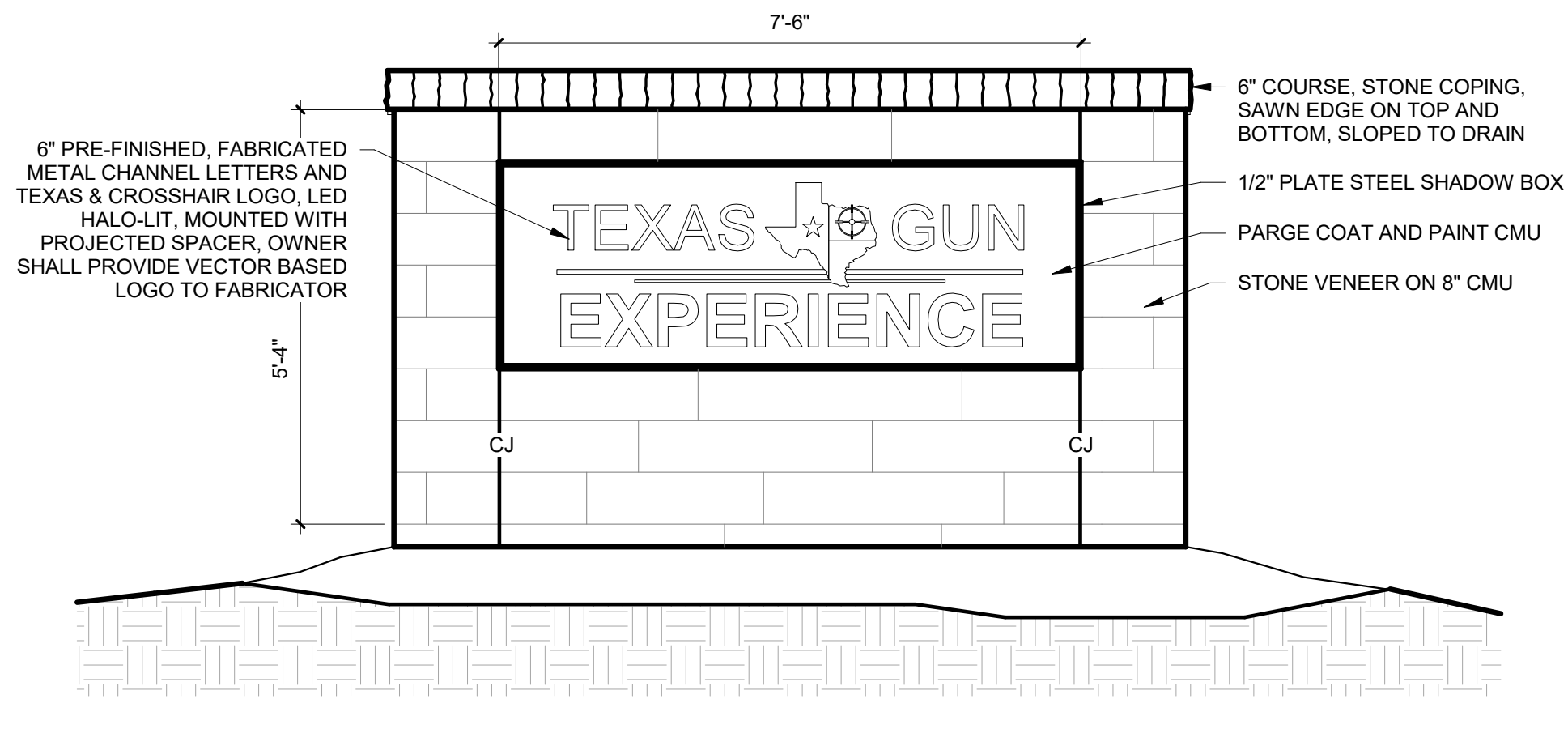
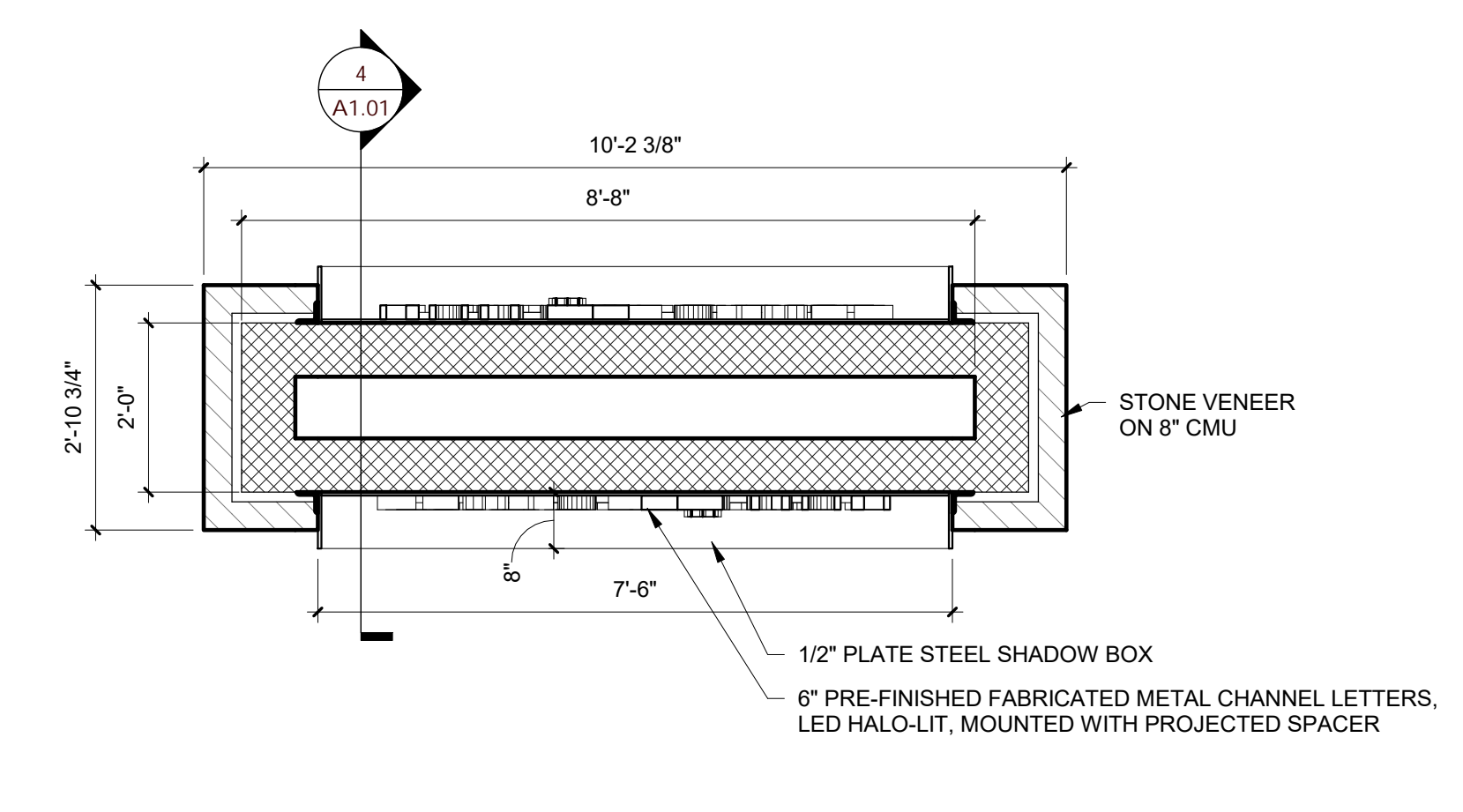


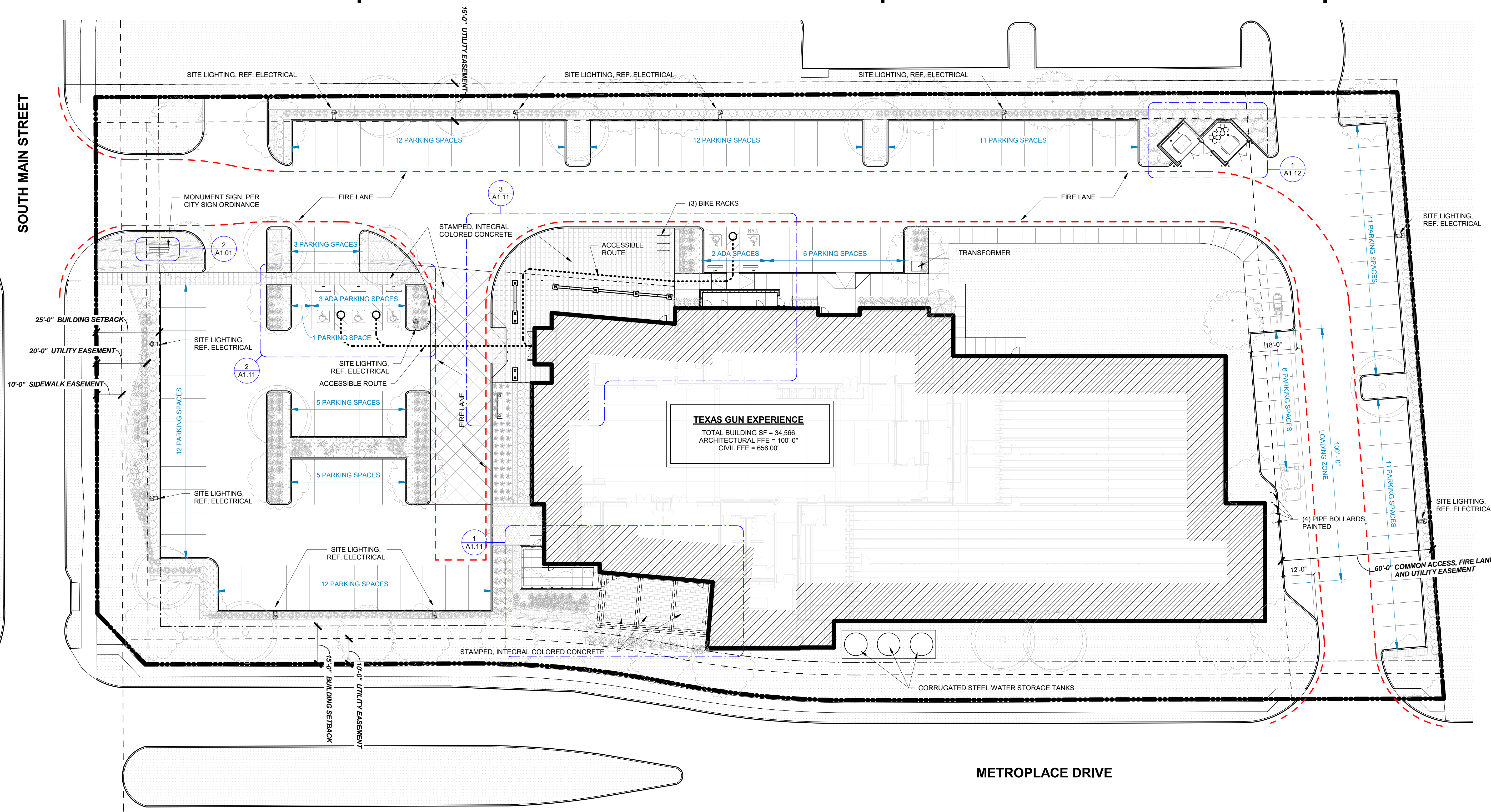
MONUMENT SIGN SECTION 4
SCALE: 1/2" = 1'-0" A1.01



MONUMENT SIGN ELEVATION 3
SCALE: 1/2" = 1'-0" A1.01



MONUMENT SIGN 2
SCALE: 1/2" = 1'-0" A1.01



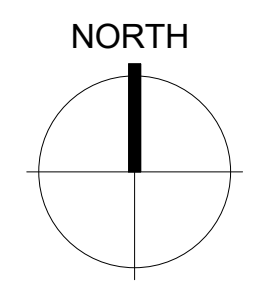
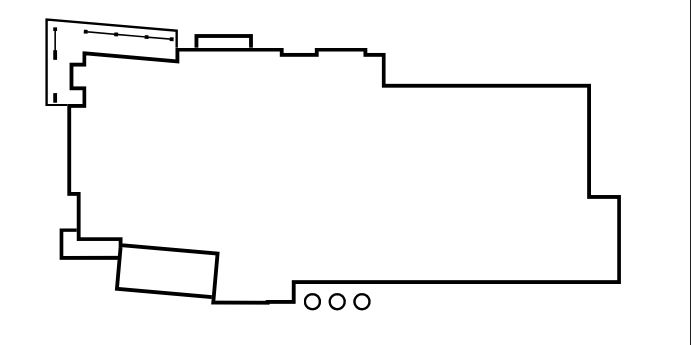
SITE PLAN 1
SCALE: 1" = 20'-0" A1.01

NOT FOR REGULATORY APPROVAL, PERMITTING, OR CONSTRUCTION

JIM THARP
01 DECEMBER 2017

DRAWINGS, SPECIFICATIONS AND OTHER DOCUMENTS, PREPARED BY OXLEY WILLIAMS THARP ARCHITECTS, PLLC ARE INSTRUMENTS OF SERVICE FOR USE SOLELY WITH RESPECT TO THIS PROJECT. THIS INCLUDES DOCUMENTS IN ELECTRONIC FORM. OXLEY WILLIAMS THARP ARCHITECTS, PLLC SHALL BE DEEMED THE AUTHORS AND OWNERS OF THEIR RESPECTIVE INSTRUMENTS OF SERVICE AND SHALL RETAIN ALL COMMON LAW, STATUTORY AND OTHER RESERVED RIGHTS, INCLUDING COPYRIGHTS. THE INSTRUMENTS OF SERVICE SHALL NOT BE USED BY THE OWNER FOR FUTURE ADDITIONS OR ALTERATIONS TO THIS PROJECT OR FOR OTHER PROJECTS, WITHOUT THE PRIOR WRITTEN AGREEMENT OF OXLEY WILLIAMS THARP ARCHITECTS, PLLC. ANY UNAUTHORIZED USE OF THE INSTRUMENTS OF SERVICE SHALL BE WITHOUT LIABILITY TO OXLEY WILLIAMS THARP ARCHITECTS, PLLC AND ITS CONSULTANTS.

Revision Schedule		
Rev. #	Revision Description	Revision Date



OWT ARCHITECTS

509 PECAN STREET
SUITE 100
FORT WORTH, TX 76102
817.993.9844
www.owtarchitects.com

TEXAS GUN EXPERIENCE

1901 SOUTH MAIN STREET
GRAPEVINE, TEXAS 76051

2016-028-00
DECEMBER 01, 2017

SITE PLAN

A1.01