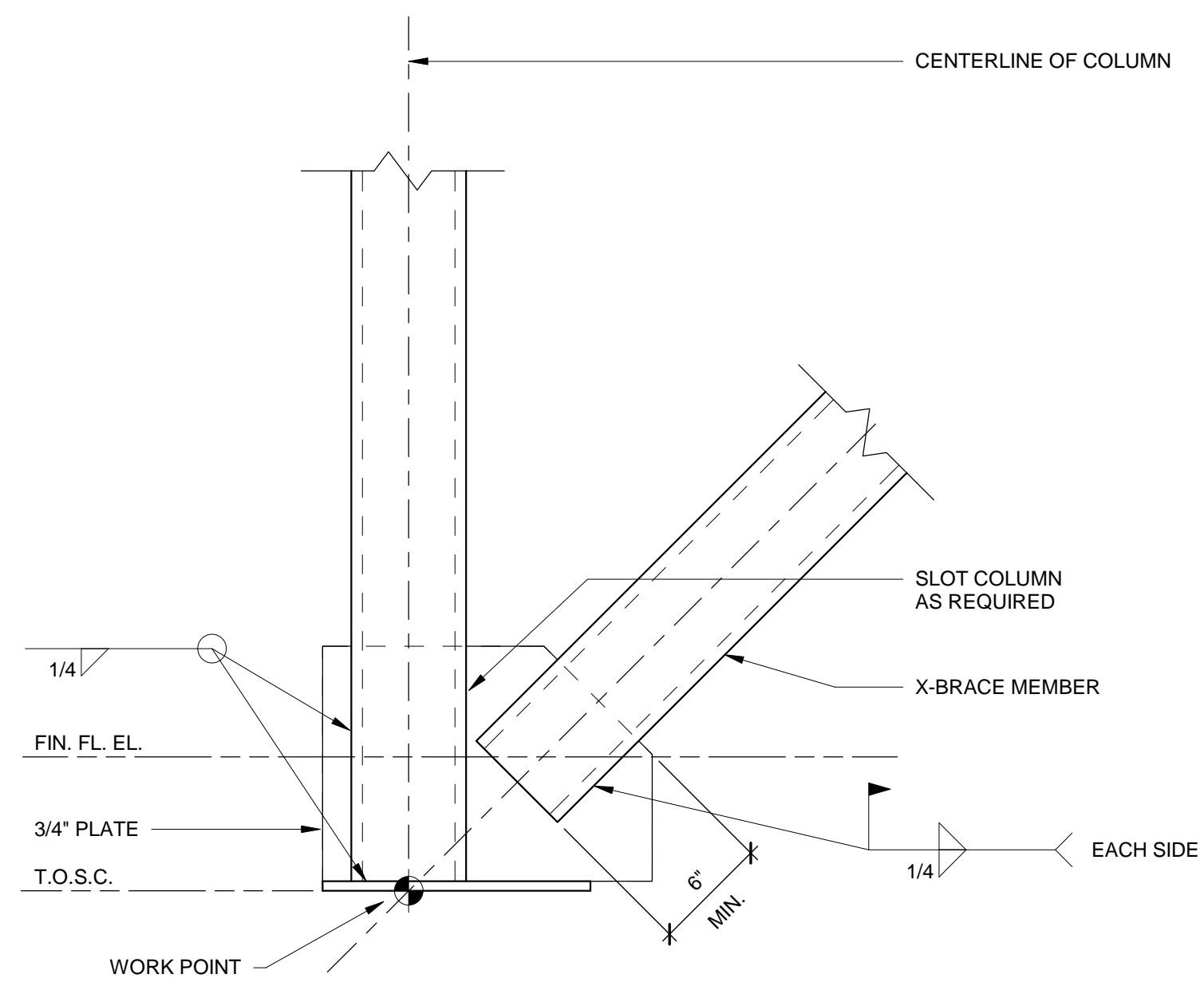
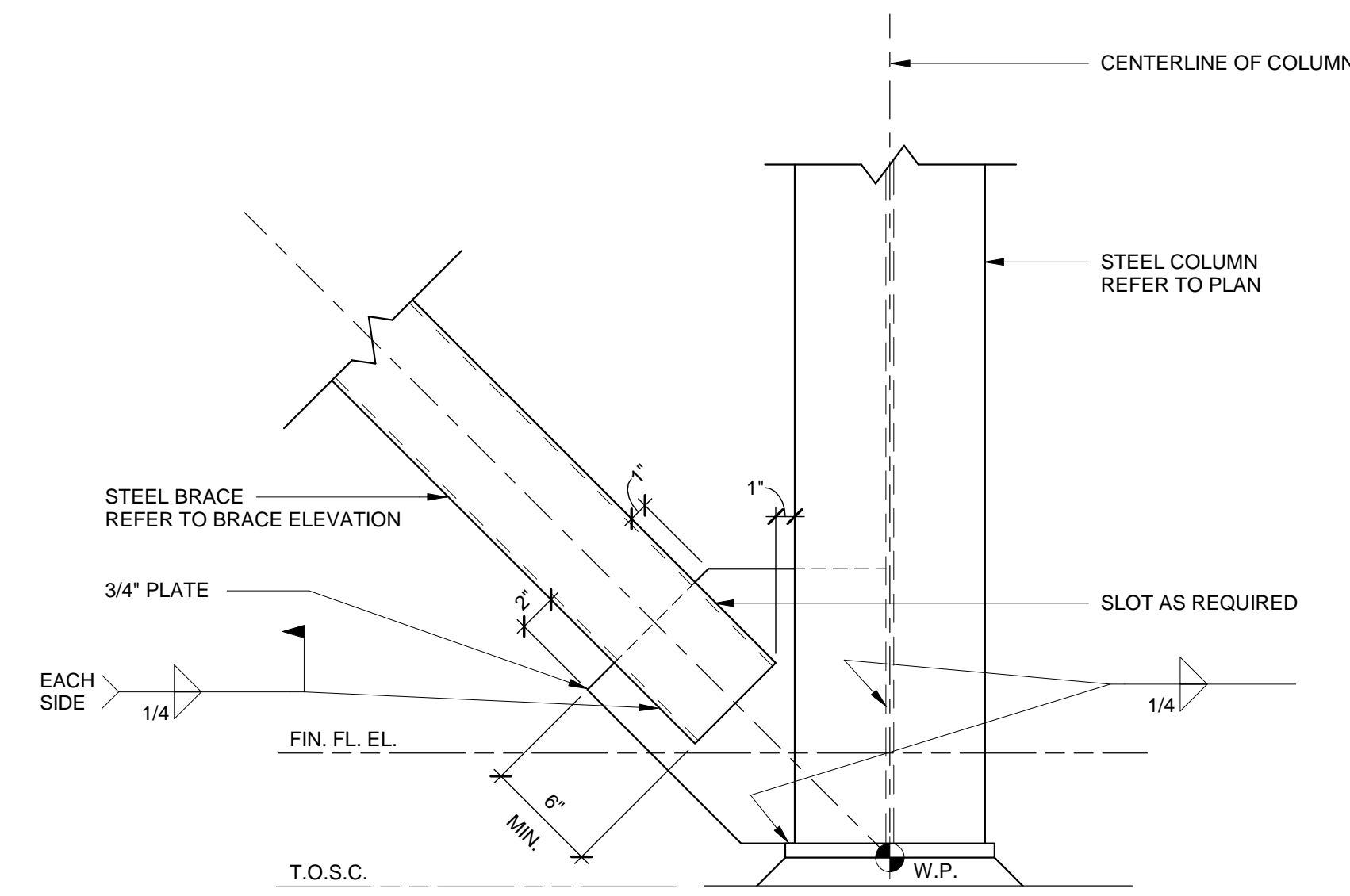


THIS DOCUMENT IS RELEASED ON 12-1-17 FOR THE PURPOSE OF BIDDING ONLY UNDER THE AUTHORITY OF BRYAN WADE GREEN, P.E. 74453. IT IS NOT TO BE USED FOR CONSTRUCTION OR FABRICATION PURPOSES.



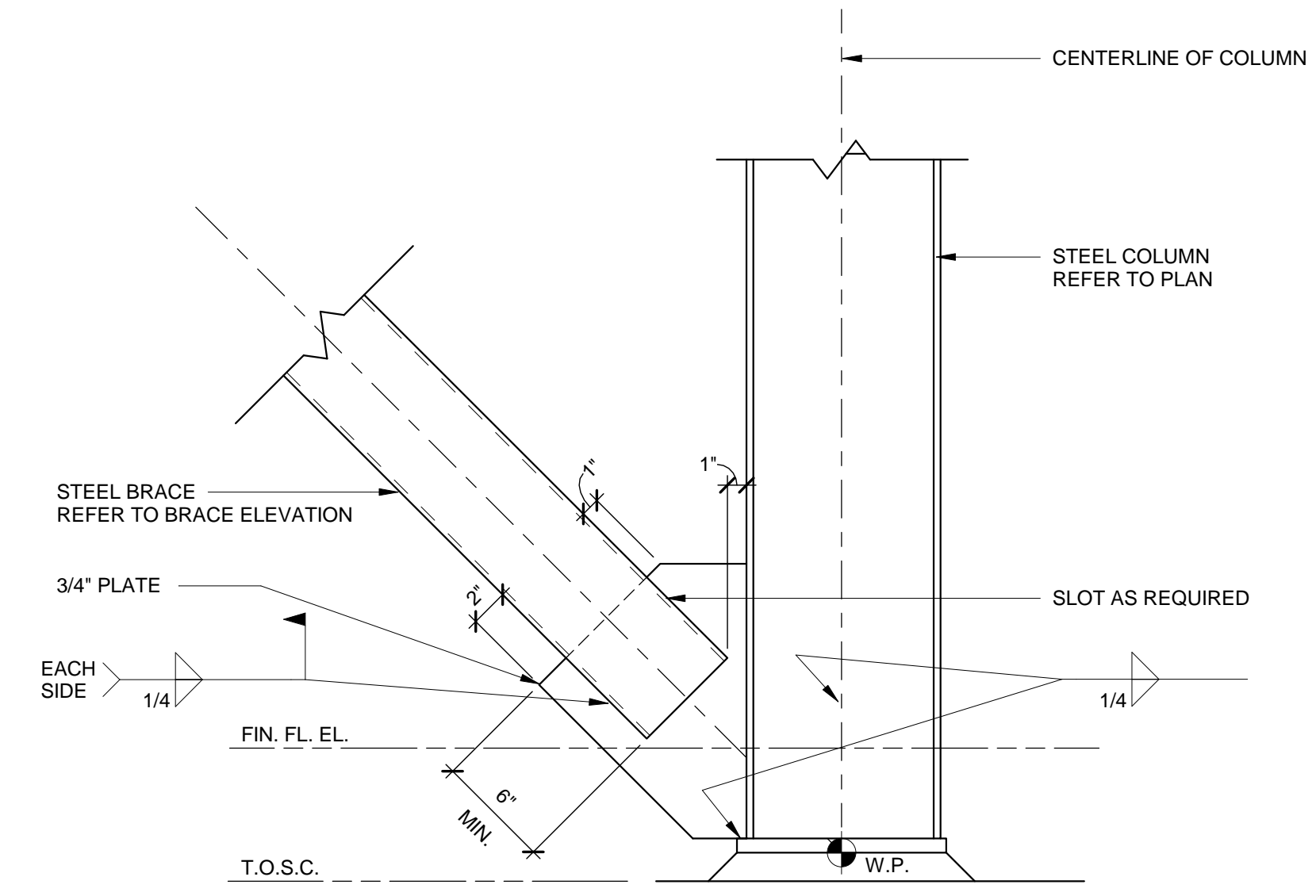
1 DETAIL

1 1/2" = 1'-0" X-BRACE MEMBER CONNECTION AT BOTTOM



2 DETAIL

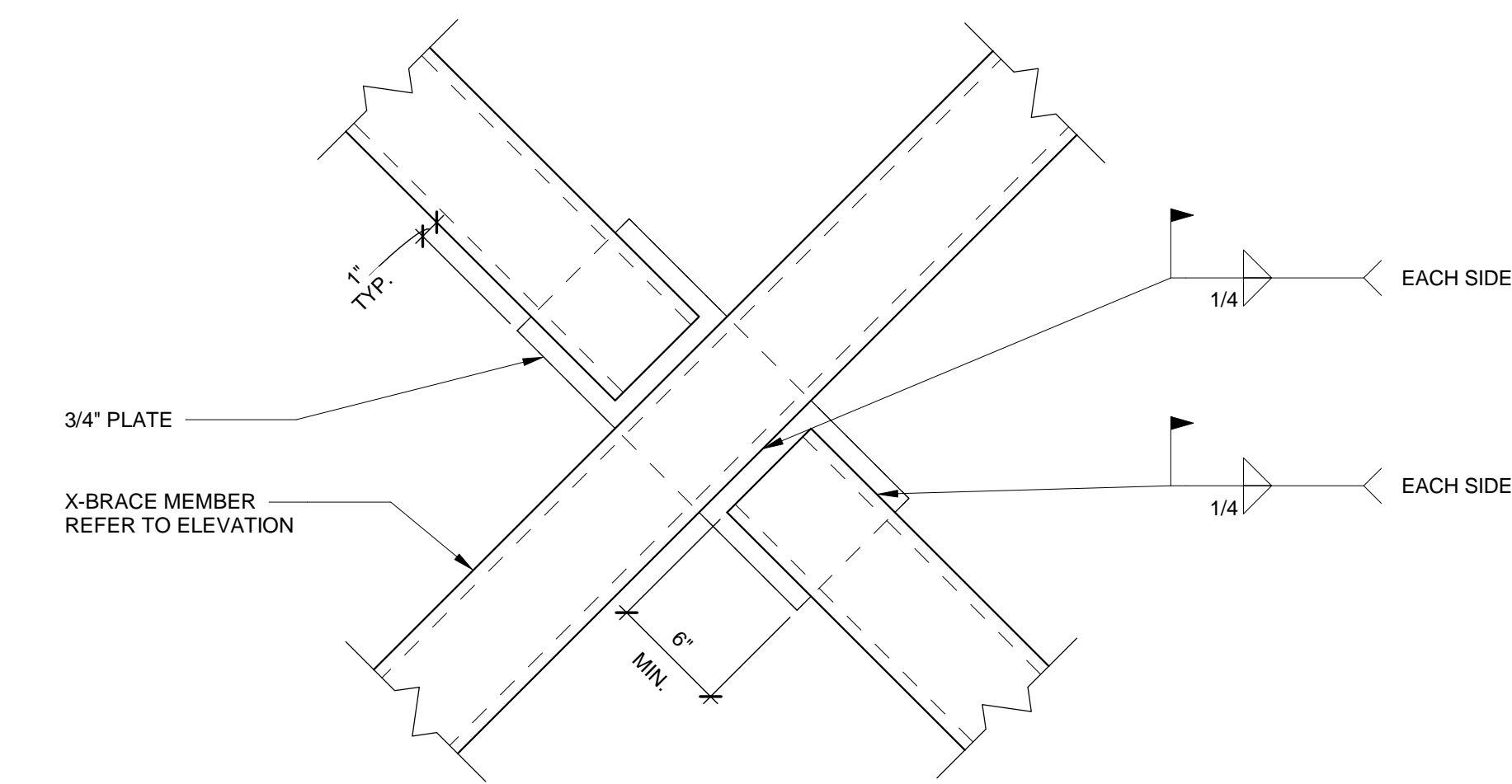
1 1/2" = 1'-0" BRACE MEMBER CONNECTION AT WIDE FLANGE COLUMN WEB



3 DETAIL

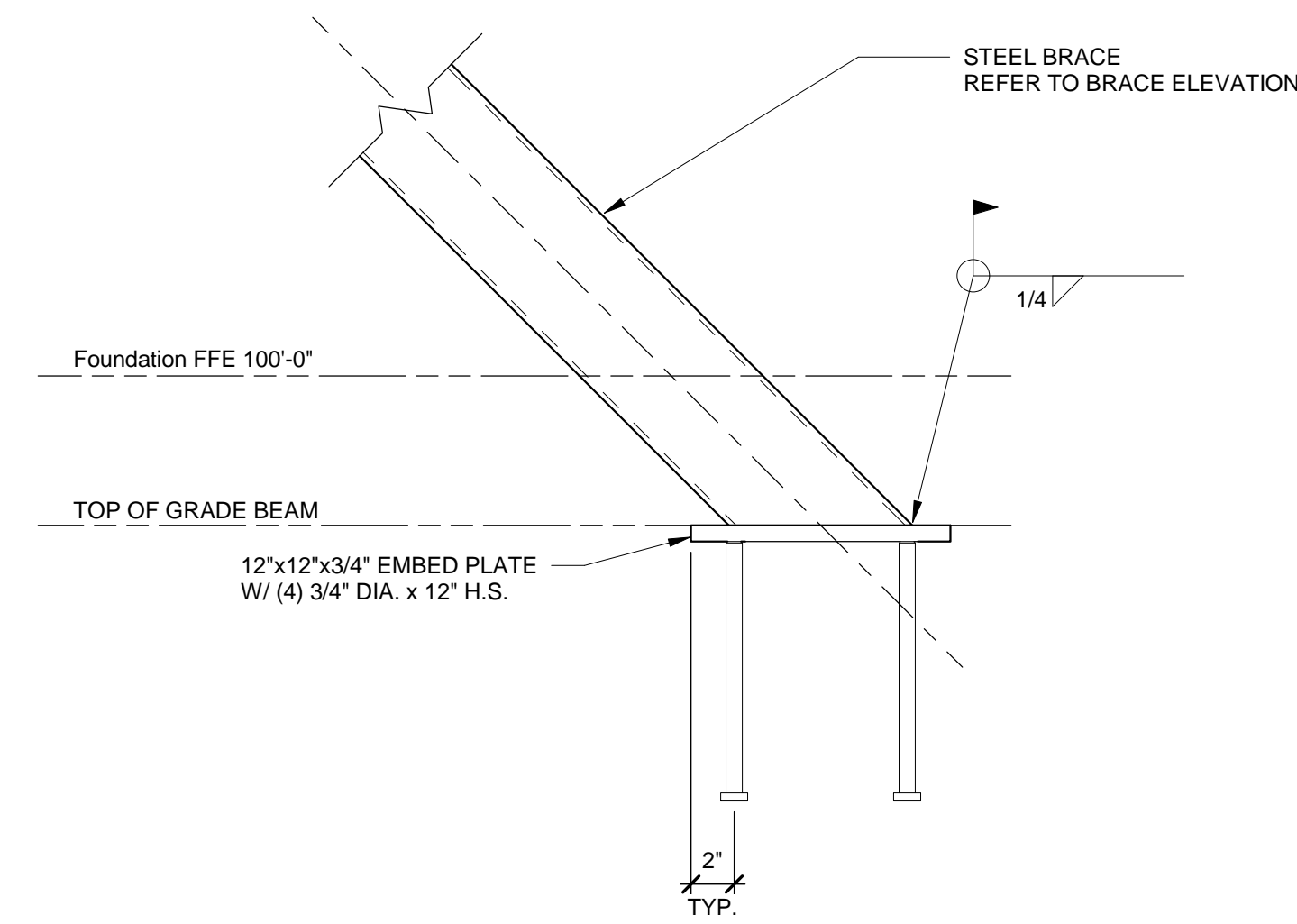
1 1/2" = 1'-0" BRACE MEMBER CONNECTION AT WIDE FLANGE COLUMN FACE

Revision Schedule		
Rev. #	Revision Description	Revision Date



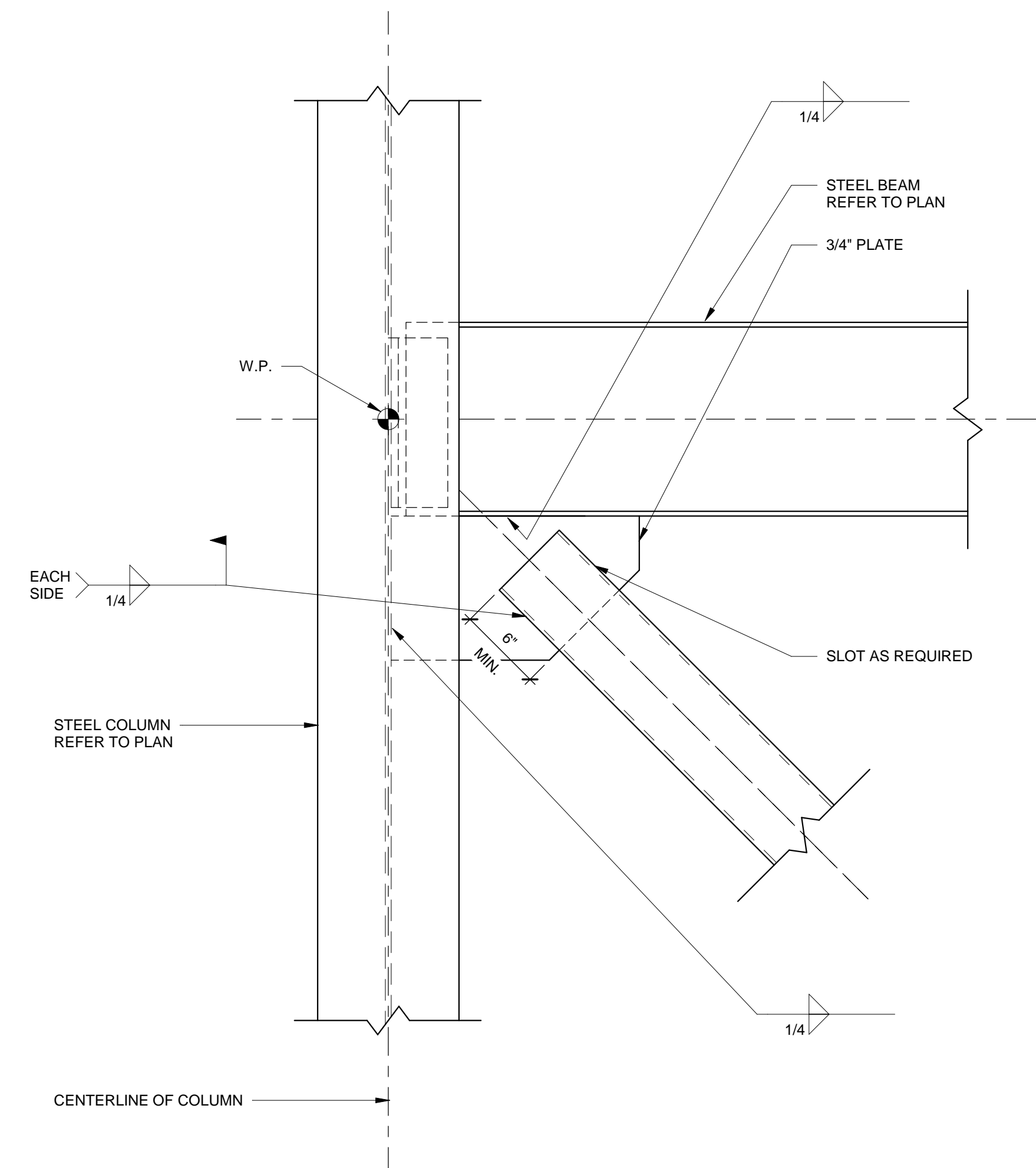
4 DETAIL

1 1/2" = 1'-0" BRACE TO BRACE CONNECTION



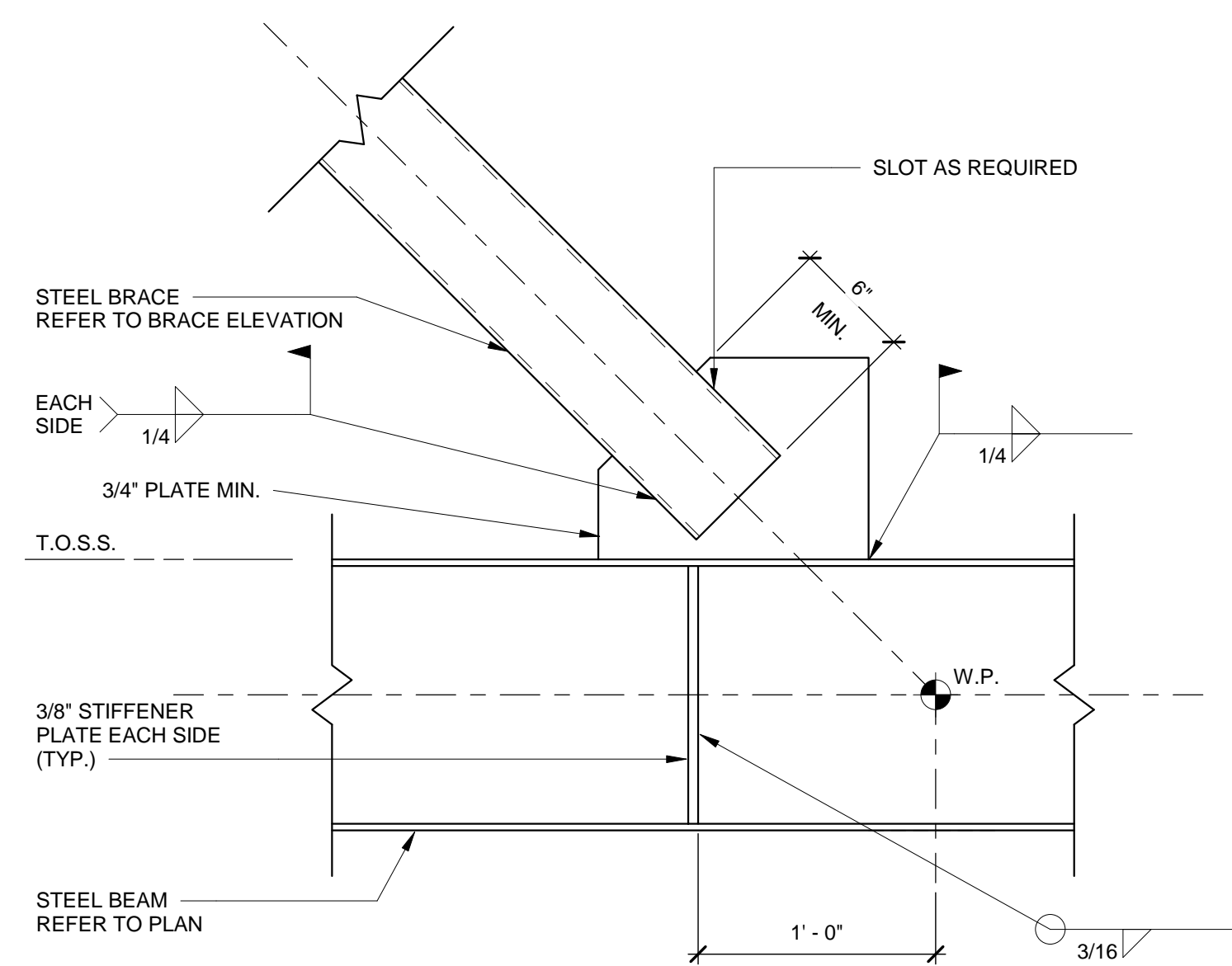
5 DETAIL

1 1/2" = 1'-0" DIAGONAL BRACE TO EMBED PLATE



6 DETAIL

1 1/2" = 1'-0" DIAGONAL BRACE TO WIDE FLANGE



7 DETAIL

1 1/2" = 1'-0" BRACE TO WIDE FLANGE BEAM

FWN&A
 Frank W. Neal & Assoc., Inc.
 1016 W. Broadway Ave. 817-332-1944
 Fort Worth, TX 76104 twna-eng.com
 Texas firm reg. no. F-000296

TEXAS GUN
 EXPERIENCE
 GRAPEVINE, TX

217.130.03
 DECEMBER 1, 2017

BRACE DETAILS

S5.4