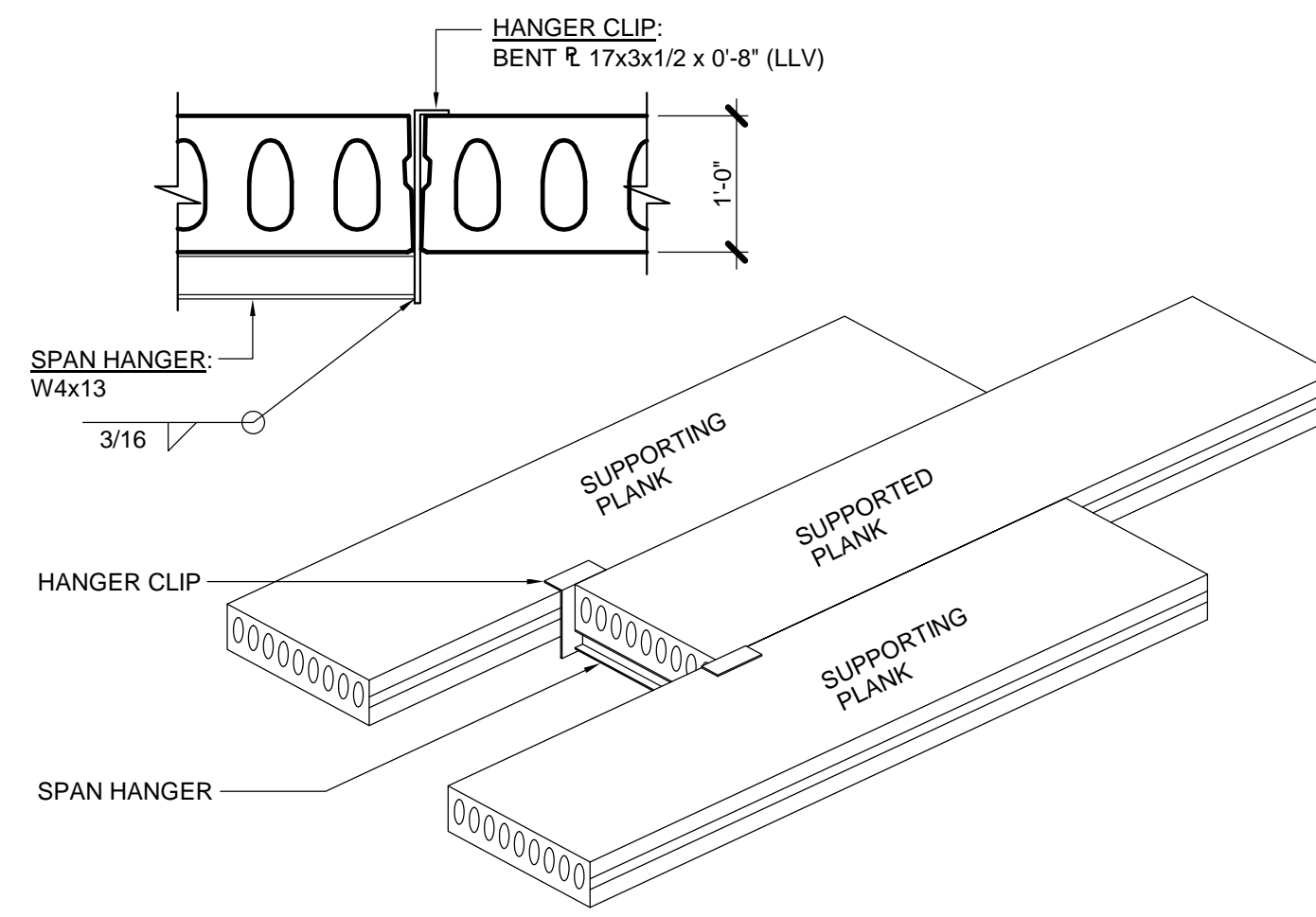


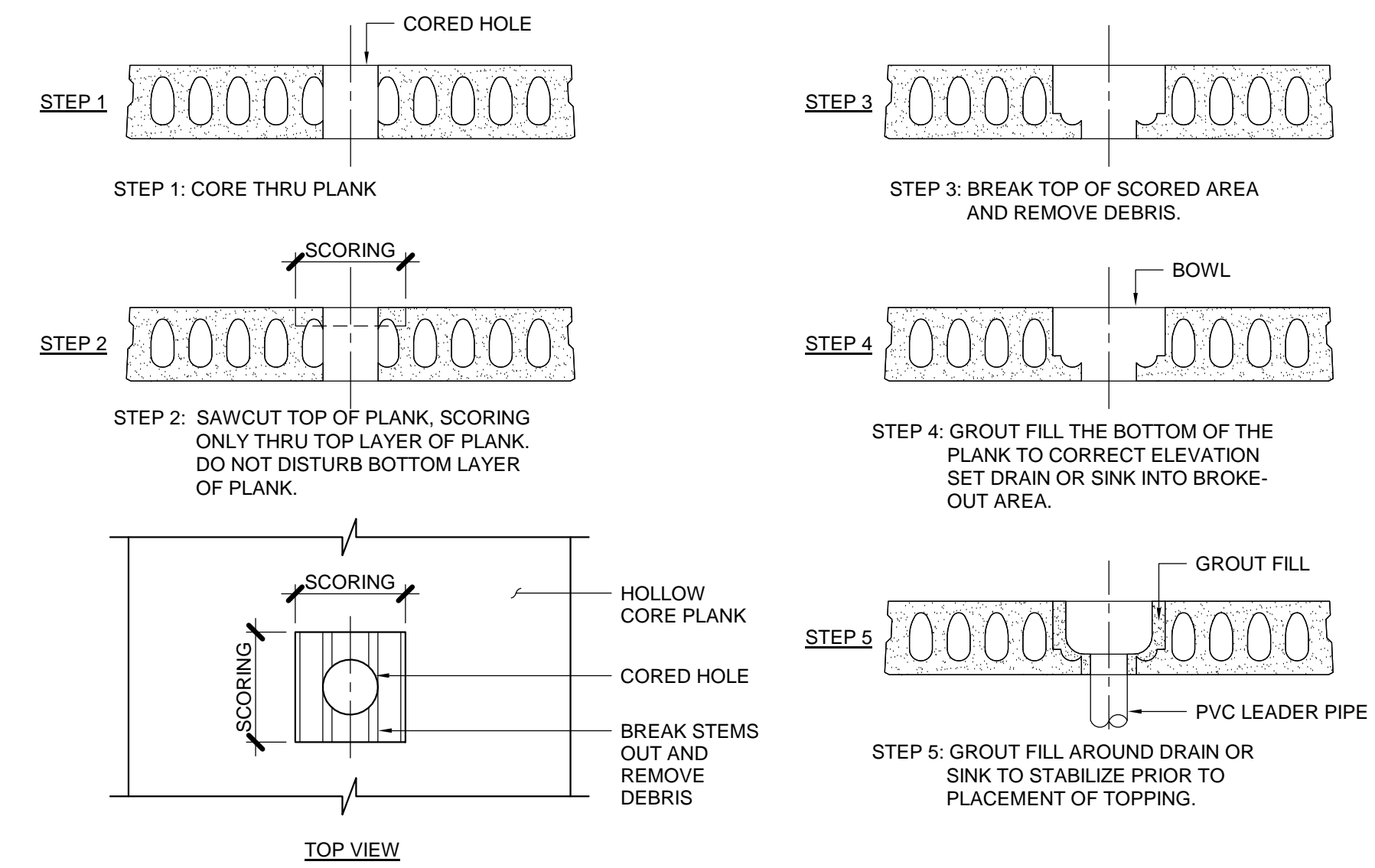
1 DETAIL

3/4" = 1'-0" PERMISSIBLE CONNECTIONS TO PLANK



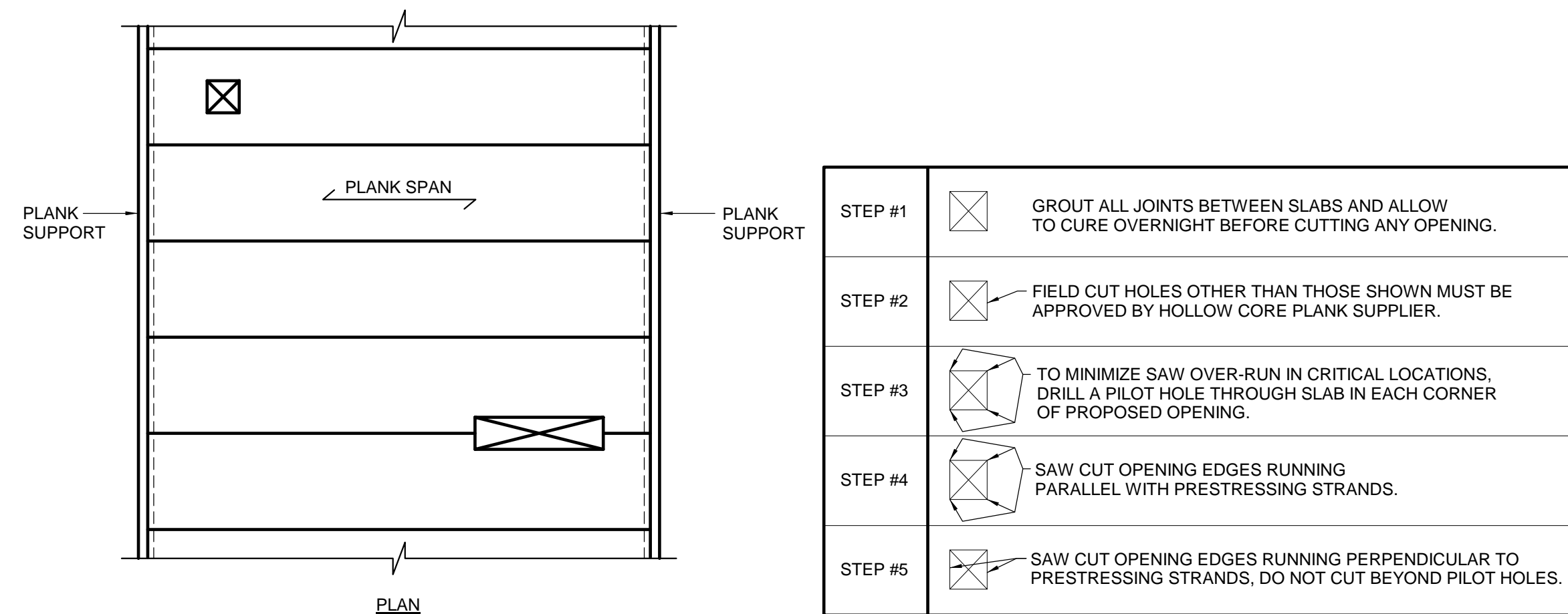
2 DETAIL

3/4" = 1'-0" SPAN HANGER CONNECTION



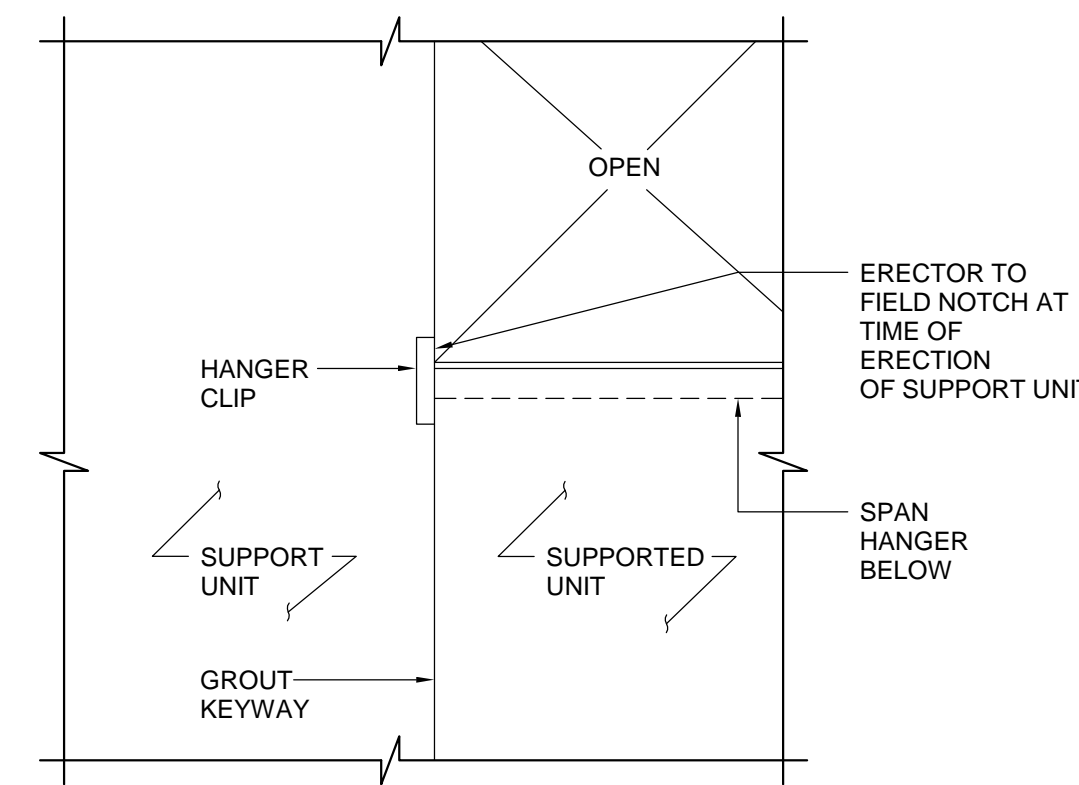
3 DETAIL

3/4" = 1'-0" PRE-CAST PLANK CORING PROCEDURE



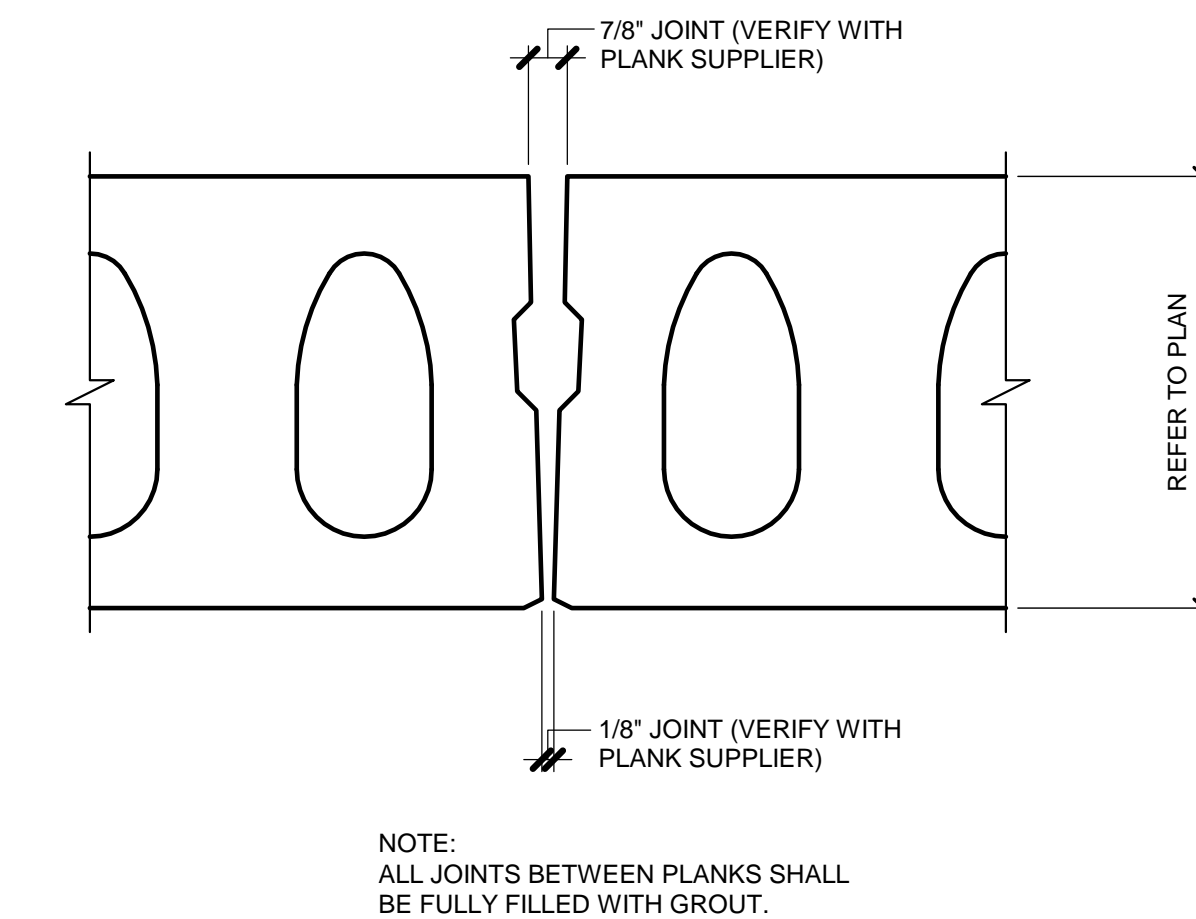
4 DETAIL

3/4" = 1'-0" RECOMMENDED PROCEDURE FOR CUTTING OPENINGS IN HOLLOW CORE PRE-CAST PLANK



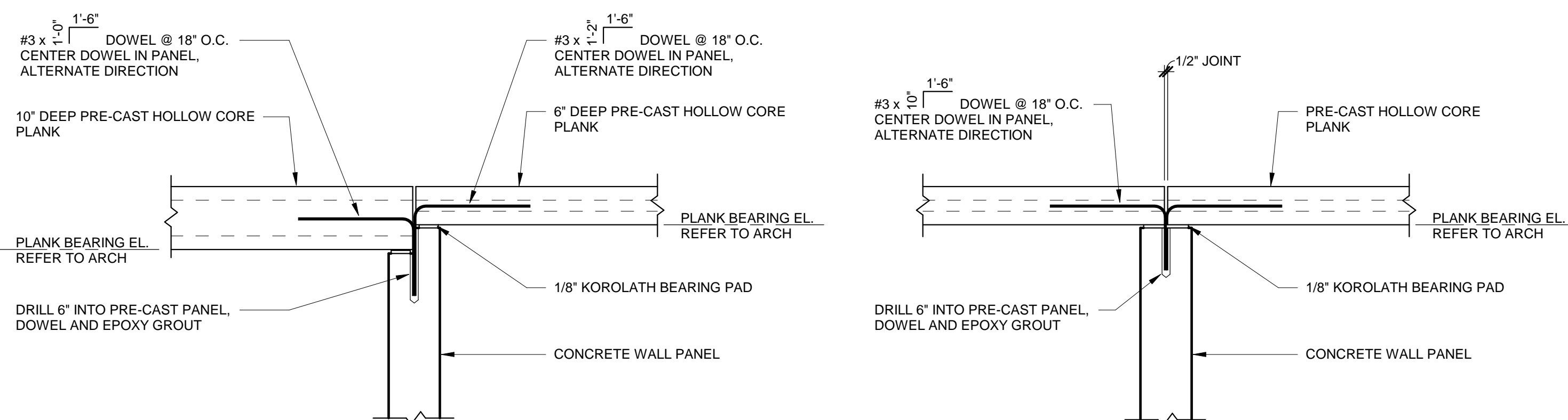
5 DETAIL

3/4" = 1'-0" HANGER ERECTION PROCEDURE AT HANGER CLIP ENDS



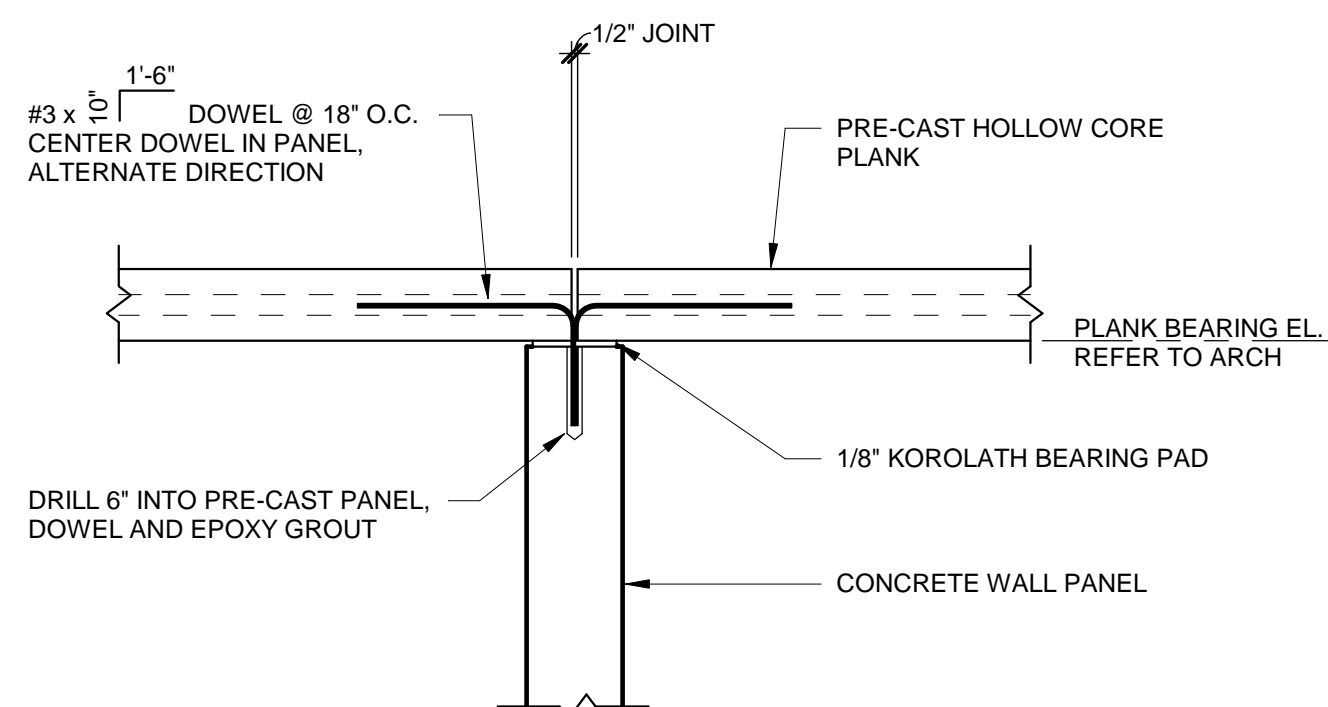
6 DETAIL

3/4" = 1'-0" JOINT BETWEEN HOLLOW CORE PLANK SECTIONS



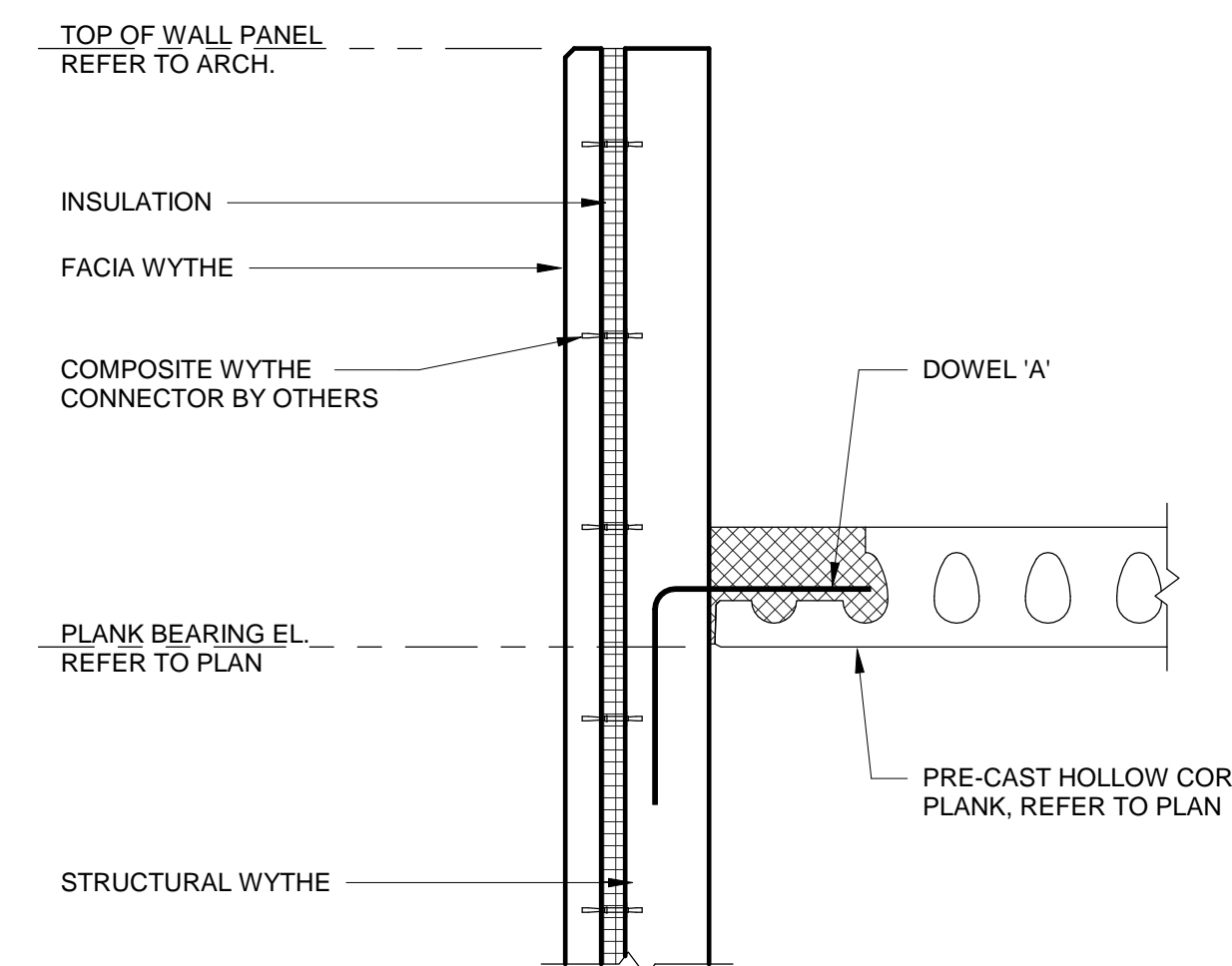
7 DETAIL

3/4" = 1'-0" PRE-CAST PLANK BEARING ON TOP OF INTERIOR PANEL (MULTI-DEPTH PLANKS)



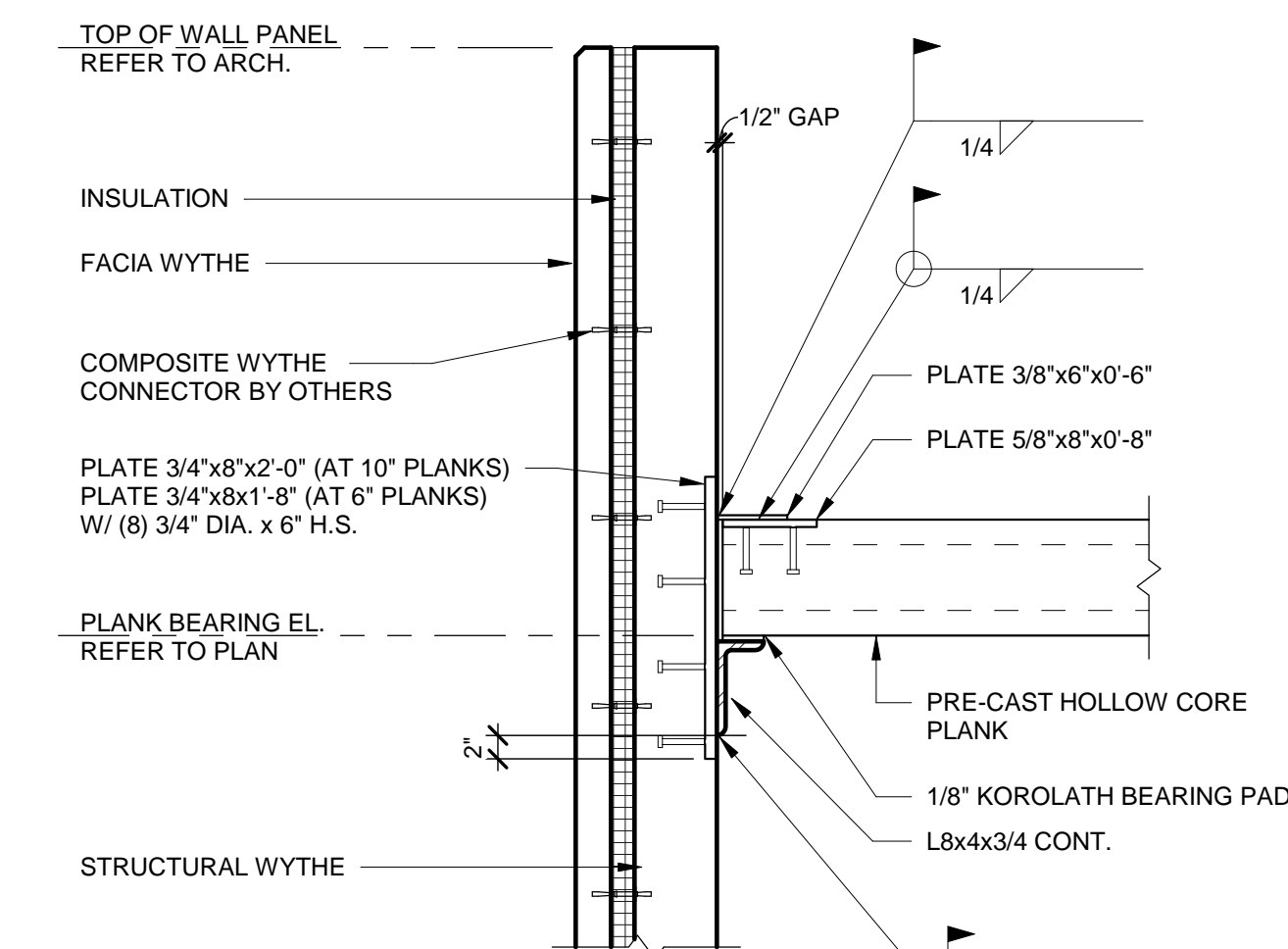
8 DETAIL

3/4" = 1'-0" PRE-CAST PLANK BEARING ON TOP OF INTERIOR PANEL



9 DETAIL

3/4" = 1'-0" PRE-CAST PLANK ADJACENT TO WALL PANEL (CONCRETE INSULATED WALL PANEL)



10 DETAIL

3/4" = 1'-0" PRE-CAST PLANK BEARING ON PANEL (CONCRETE INSULATED WALL PANEL)

THIS DOCUMENT IS RELEASED ON 12-1-17 FOR THE PURPOSE OF BIDDING ONLY UNDER THE AUTHORITY OF BRYAN WADE GREEN, P.E. 74453. IT IS NOT TO BE USED FOR CONSTRUCTION OR FABRICATION PURPOSES.

Revision Schedule		
Rev. #	Revision Description	Revision Date

FWN&A
 Frank W. Neal & Assoc., Inc.
 1016 W. Broadway Ave. 817-332-1944
 Fort Worth, TX 76104 fwna-eng.com
 Texas firm reg. no. F-000296

TEXAS GUN EXPERIENCE
 GRAPEVINE, TX

217.130.03
 DECEMBER 1, 2017

PRECAST CONCRETE DETAILS

S4.1