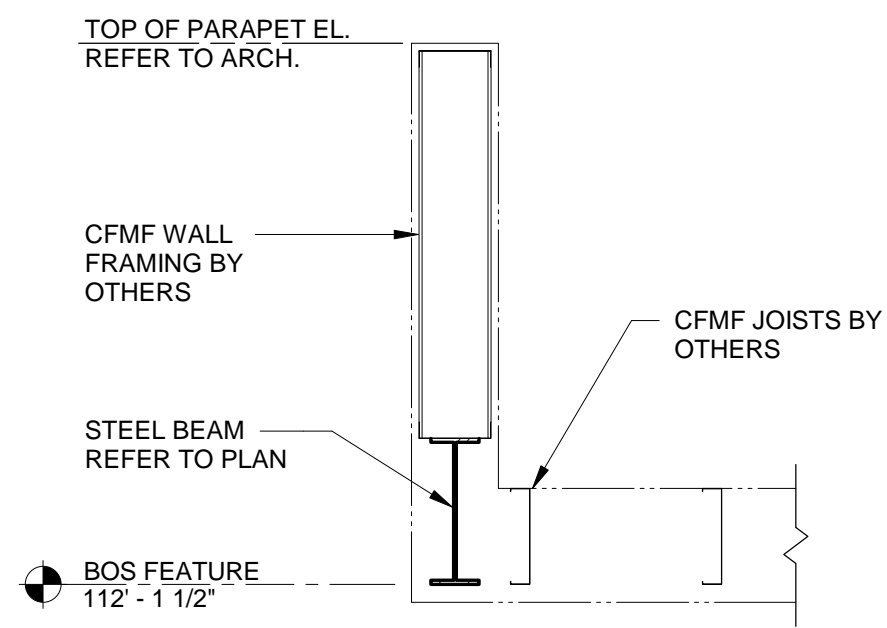
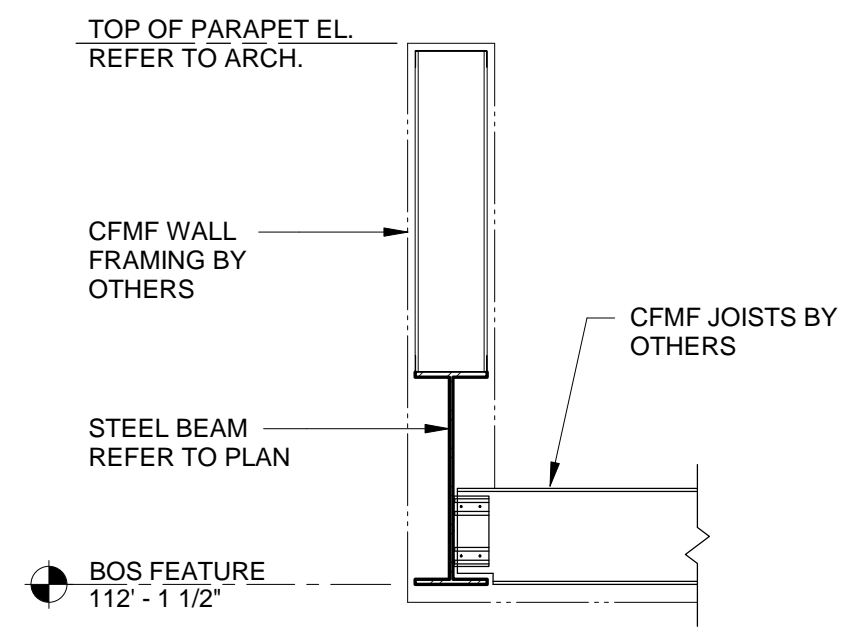


THIS DOCUMENT IS RELEASED ON 12-1-17 FOR THE PURPOSE OF BIDDING ONLY UNDER THE AUTHORITY OF BRYAN WADE GREEN, P.E. 74453. IT IS NOT TO BE USED FOR CONSTRUCTION OR FABRICATION PURPOSES.



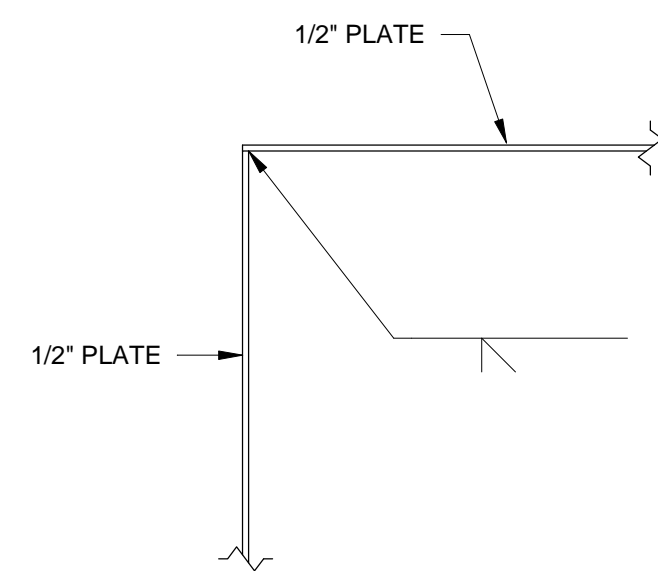
1 SECTION

3/4" = 1'-0" PARAPET SUPPORT BEAM AT POS-RENTALS



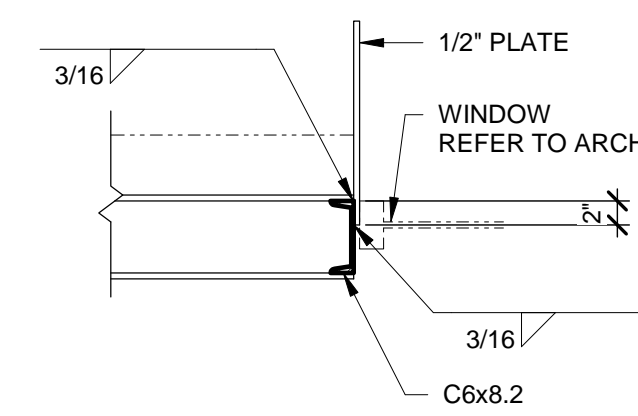
2 SECTION

3/4" = 1'-0" parapet support beam at pos-rentals



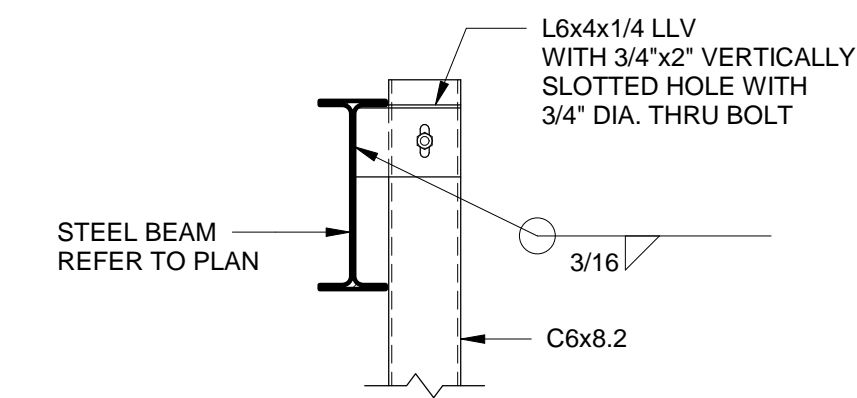
3 DETAIL

3/4" = 1'-0" PLATE TO PLATE CONNECTION



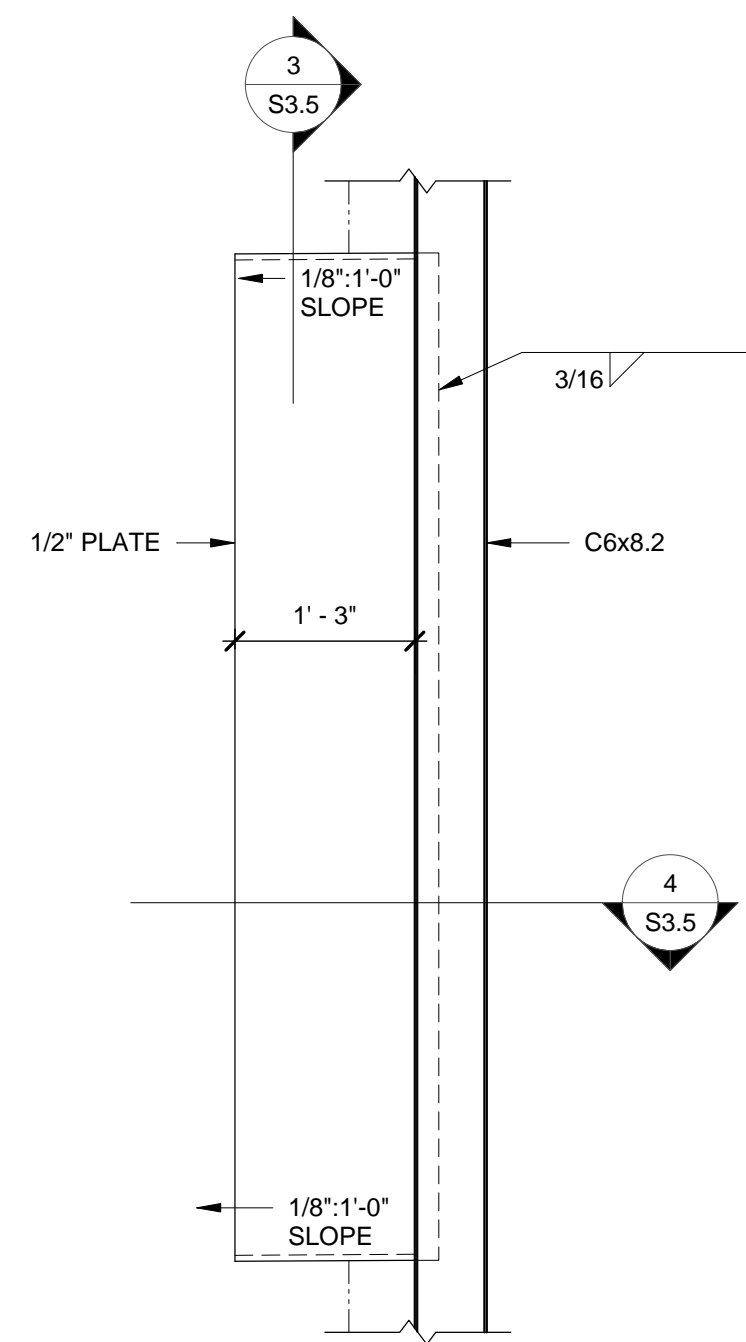
4 DETAIL

3/4" = 1'-0" STEEL PLATE TO CHANNEL CONNECTION AT WINDOW - PLAN



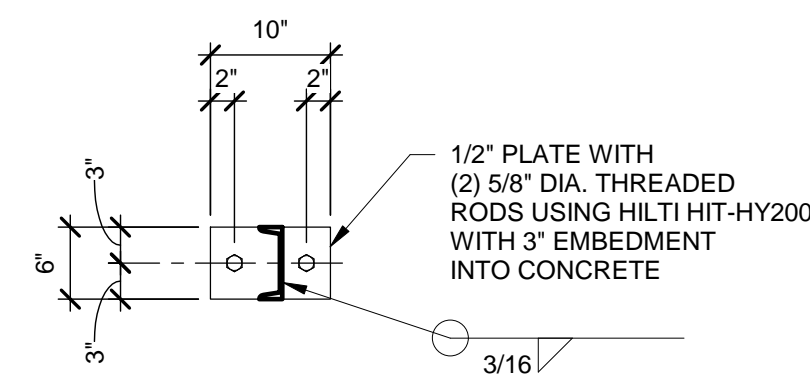
5 DETAIL

3/4" = 1'-0" CHANNEL TO BEAM CONNECTION



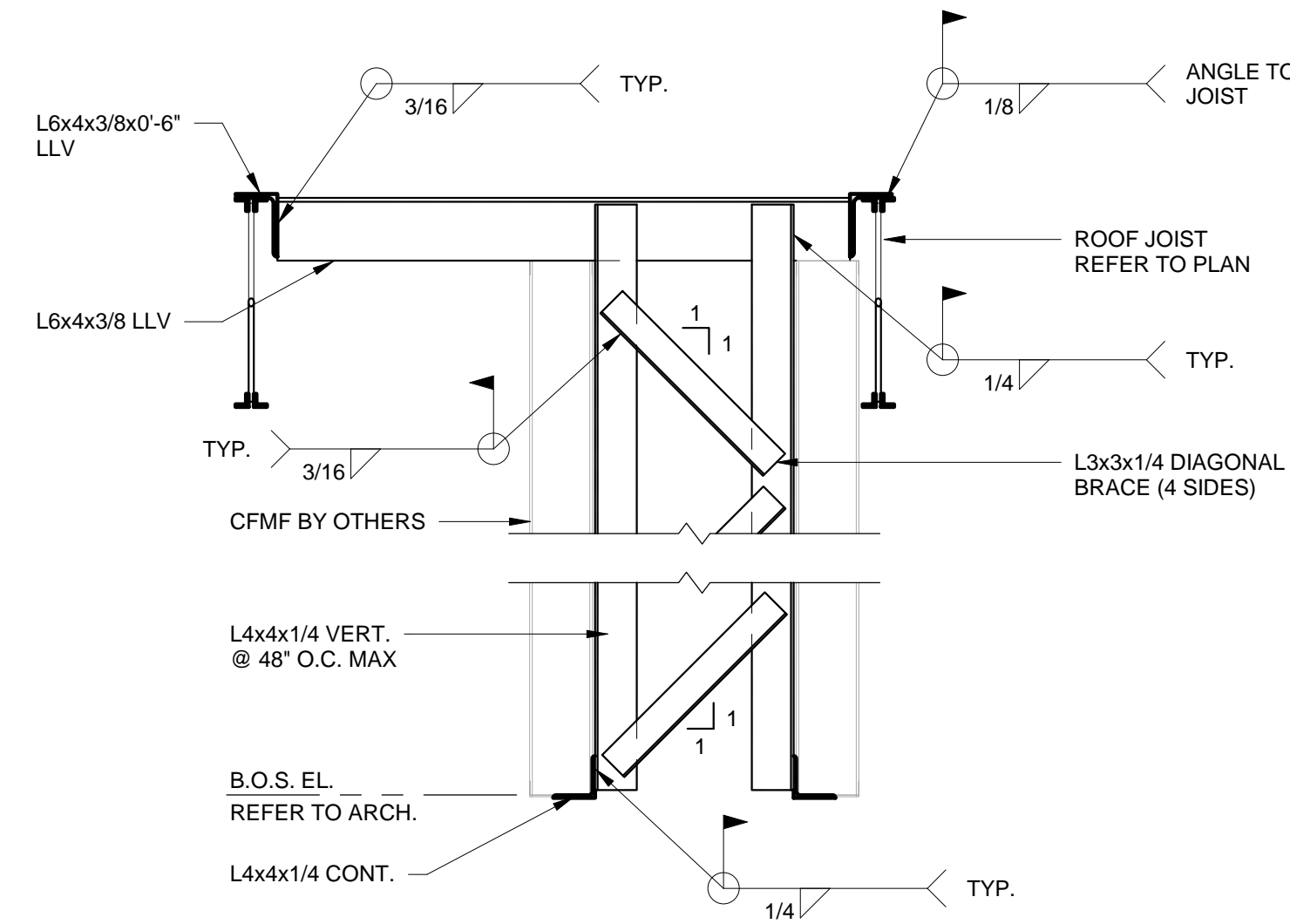
6 DETAIL

3/4" = 1'-0" STEEL PLATE AROUND WINDOW - ELEVATION



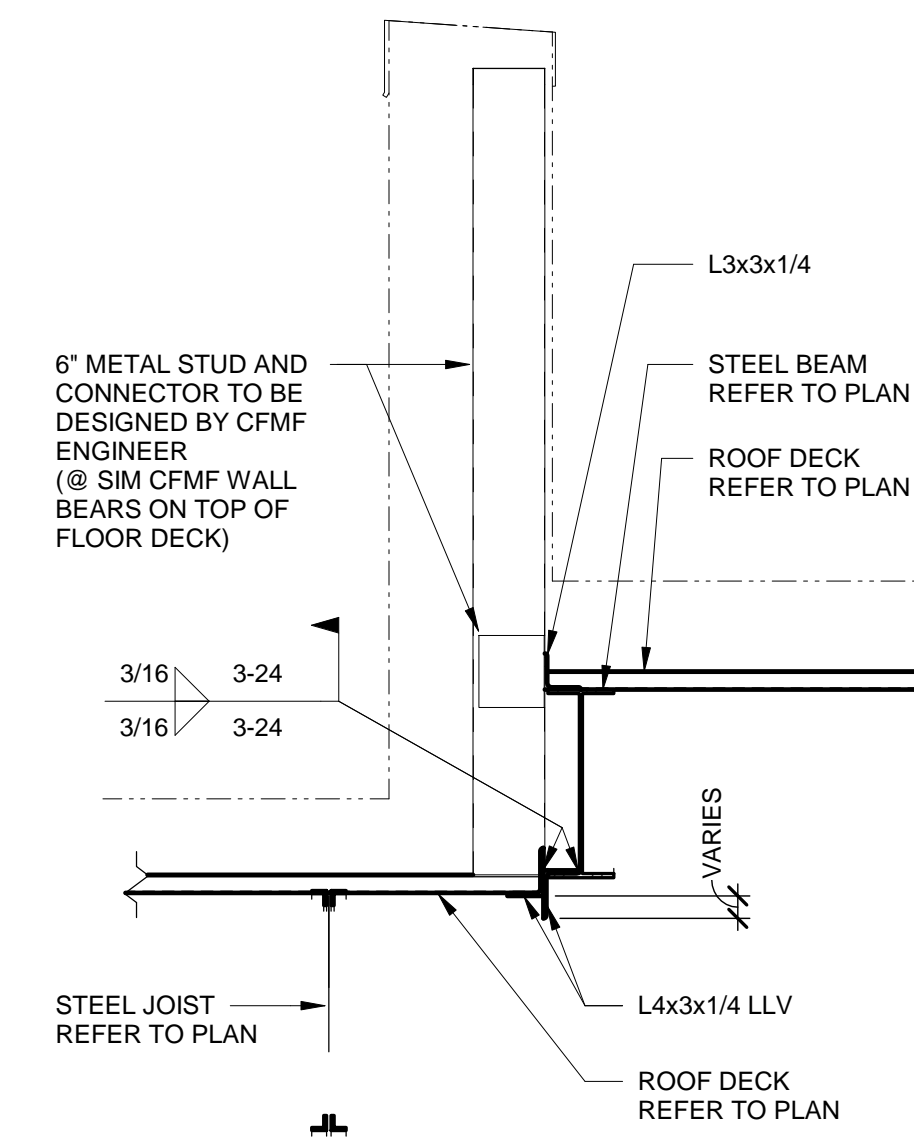
7 DETAIL

3/4" = 1'-0" CHANNEL TO BASEPLATE CONNECTION



8 DETAIL

3/4" = 1'-0" FIREPLACE SUPPORT FRAME



9 SECTION

3/4" = 1'-0" STEP IN ROOF

Revision Schedule		
Rev. #	Revision Description	Revision Date

FWN&A
 Frank W. Neal & Assoc., Inc.
 1016 W. Broadway Ave. 817-332-1944
 Fort Worth, TX 76104 fwna-eng.com
 Texas firm reg. no. F-000296

TEXAS GUN EXPERIENCE
 GRAPEVINE, TX

217.130.03
 DECEMBER 1, 2017

FRAMING DETAILS AND SECTIONS

S3.5