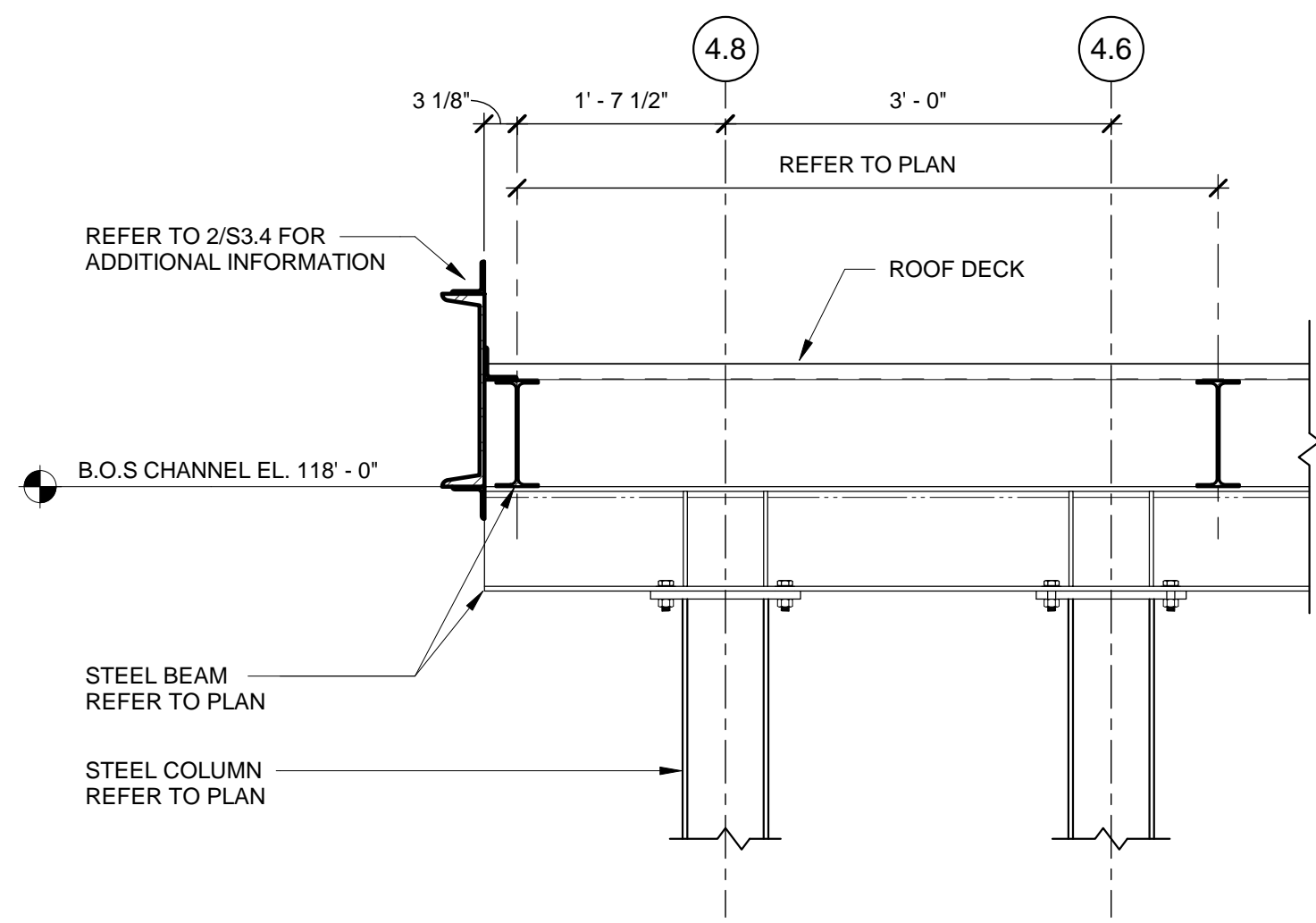
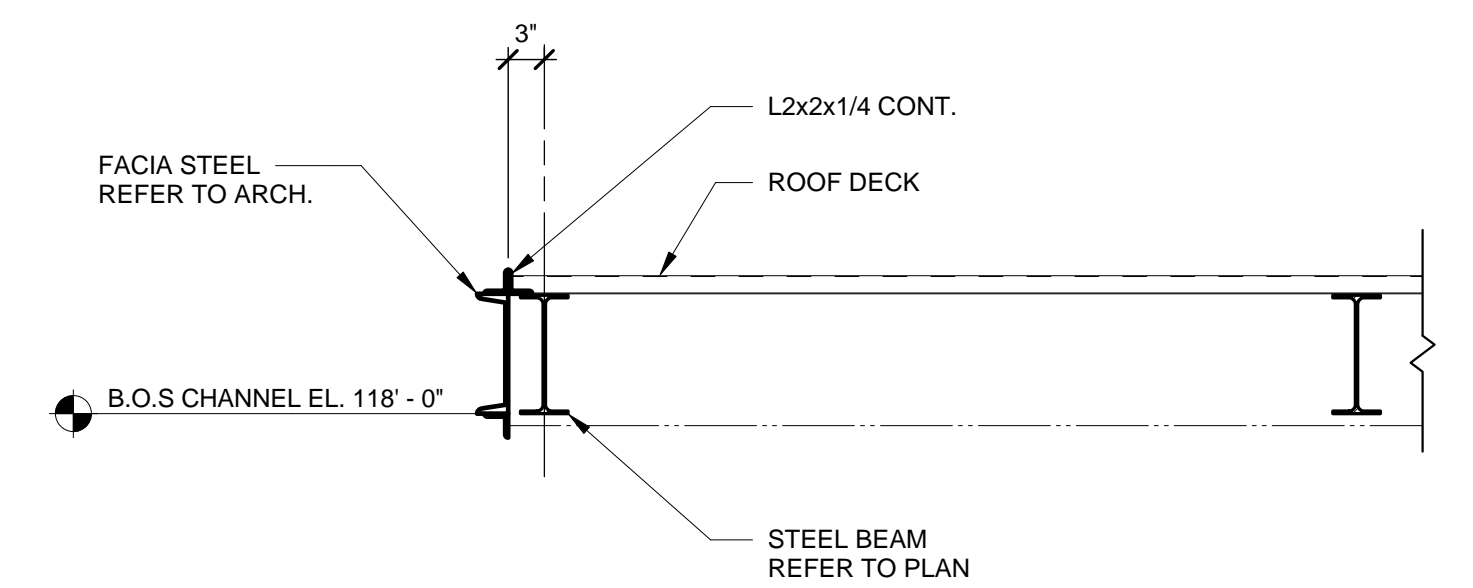


THIS DOCUMENT IS RELEASED ON 12-1-17 FOR THE PURPOSE OF BIDDING ONLY UNDER THE AUTHORITY OF BRYAN WADE GREEN, P.E. 74453. IT IS NOT TO BE USED FOR CONSTRUCTION OR FABRICATION PURPOSES.



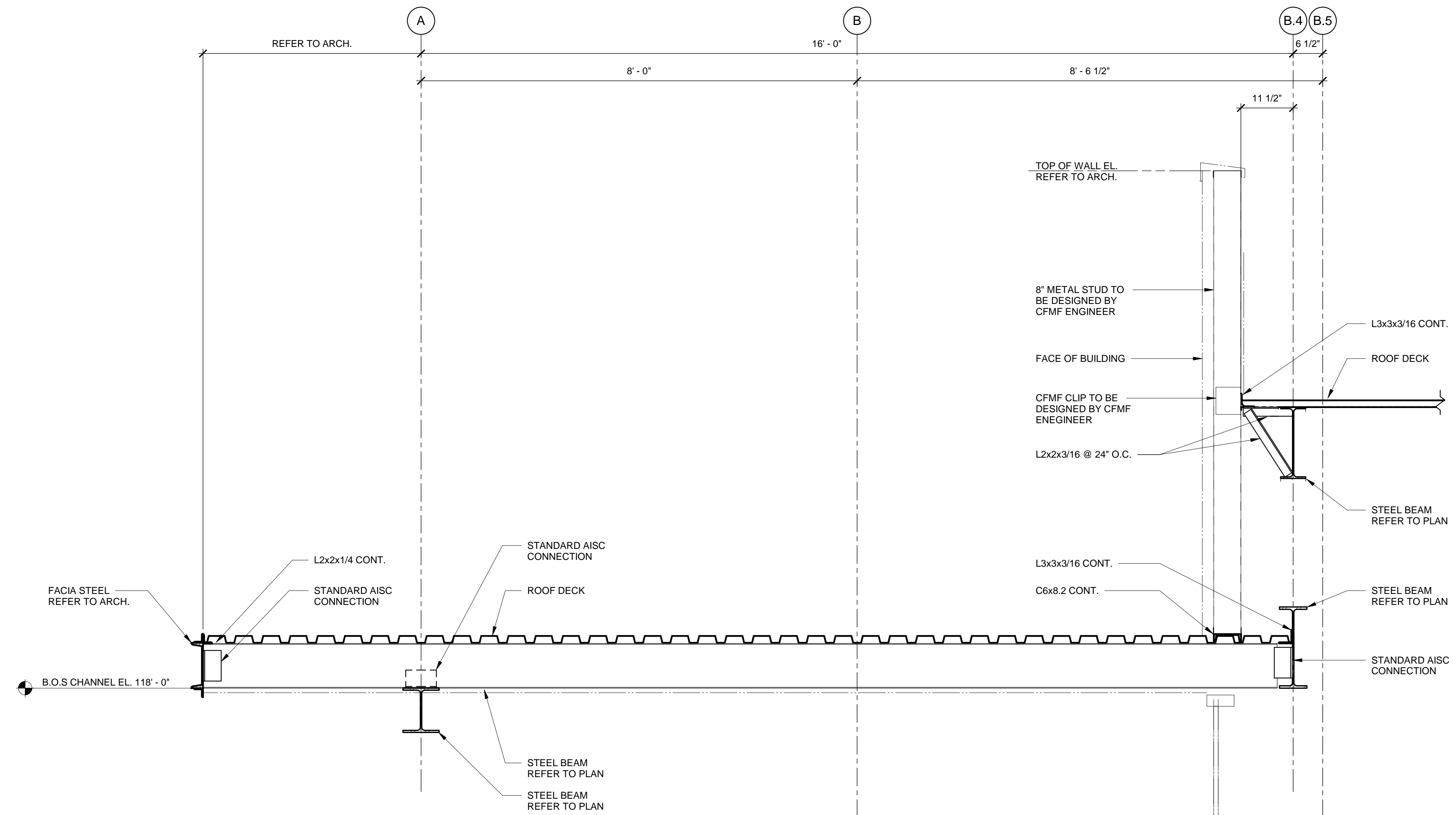
### 1 SECTION

3/4" = 1'-0" BEAM TO COLUMN CONNECTION AT ENTRY PLAZA



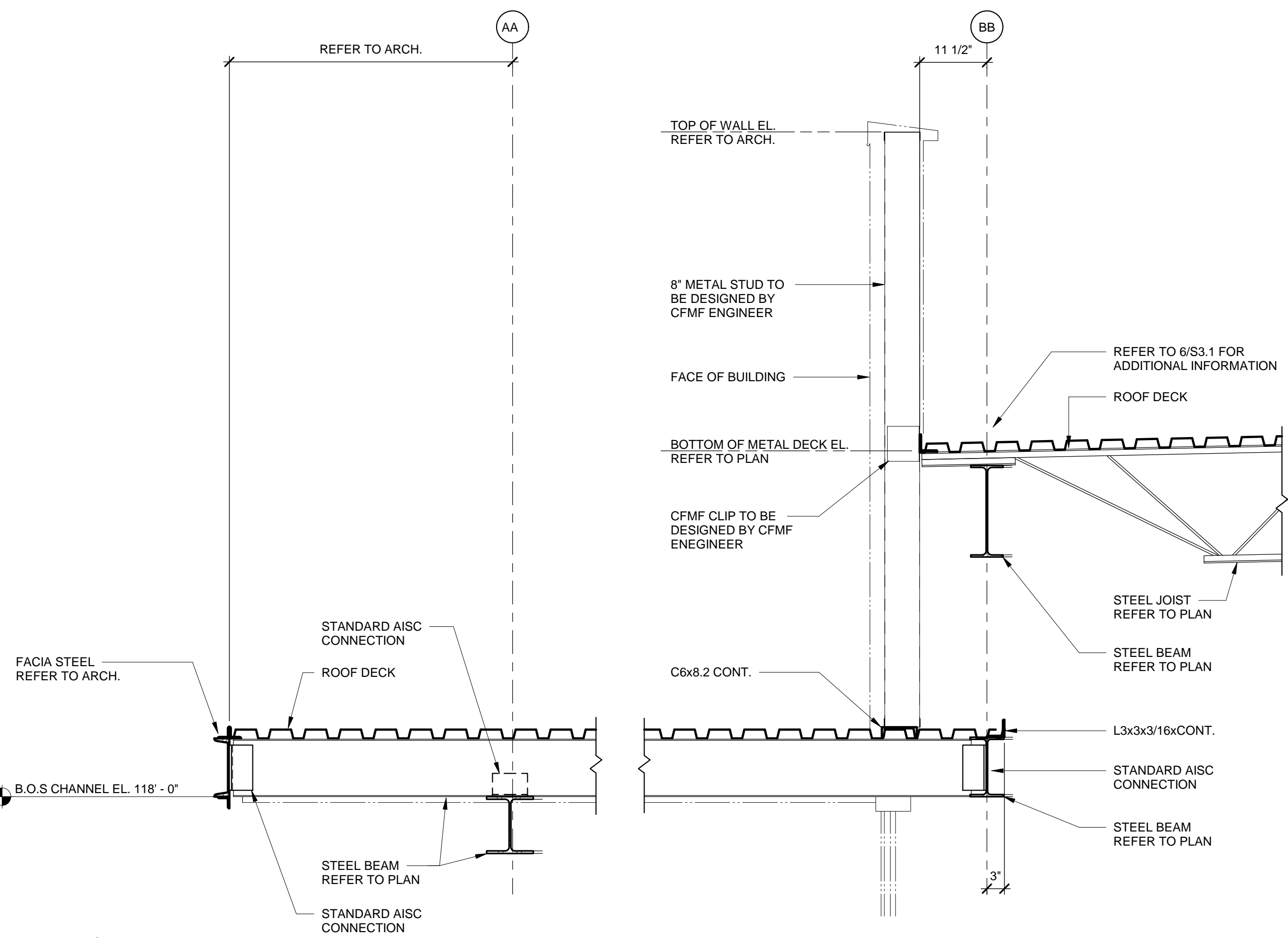
### 2 SECTION

3/4" = 1'-0" ENTRY PLAZA FRAMING



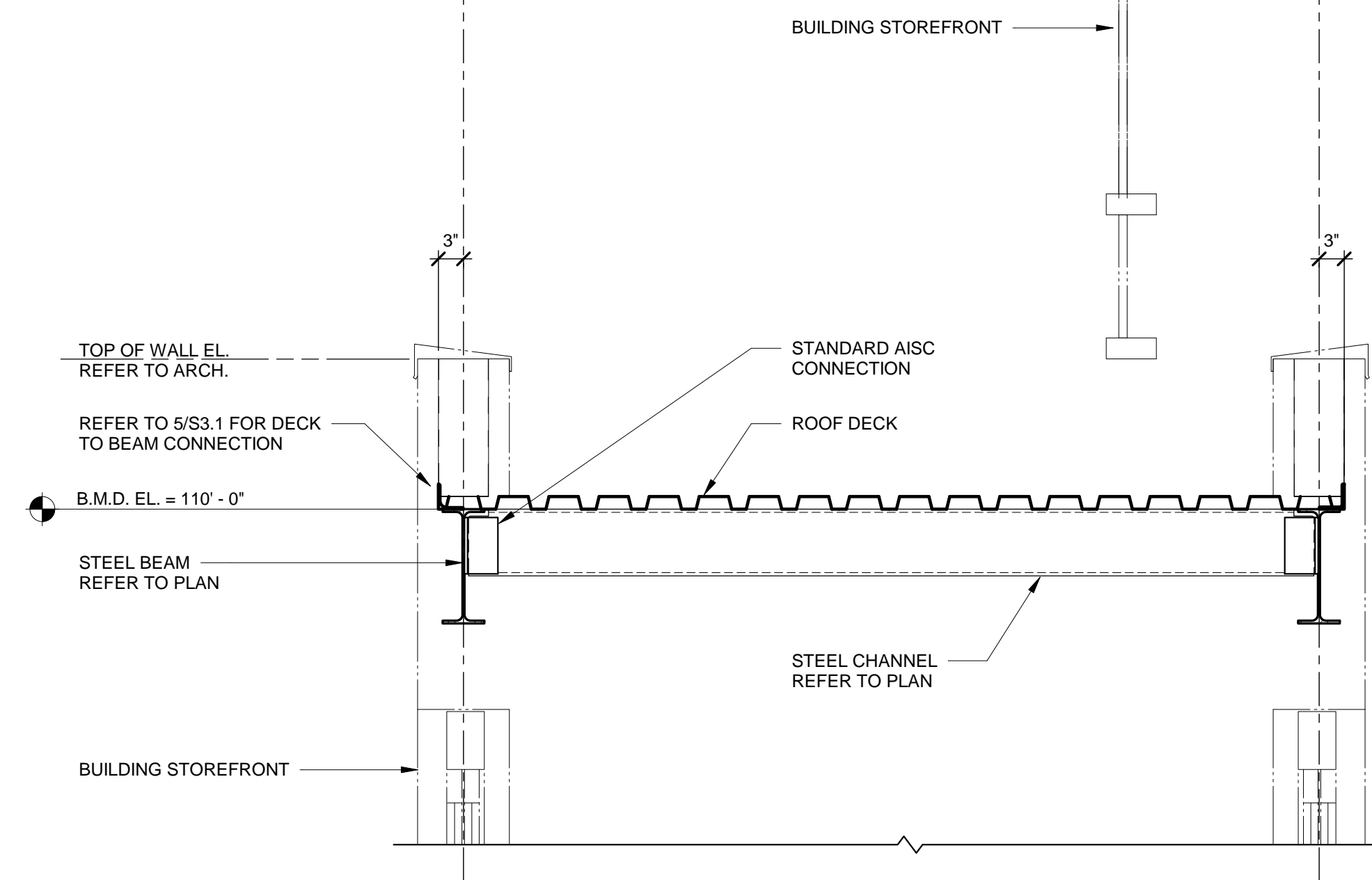
### 3 SECTION

3/4" = 1'-0" ENTRY PLAZA FRAMING



### 4 SECTION

3/4" = 1'-0" ENTRY PLAZA FRAMING



### 5 SECTION

3/4" = 1'-0" CHANGE IN DECK SPAN DIRECTION AT ENTRY PLAZA

Revision Schedule		
Rev. #	Revision Description	Revision Date

**FWN&A**  
 Frank W. Neal & Assoc., Inc.  
 1016 W. Broadway Ave. 817-332-1944  
 Fort Worth, TX 76104 fwna-eng.com  
 Texas firm reg. no. F-000298

TEXAS GUN  
 EXPERIENCE  
 GRAPEVINE, TX

217.130.03  
 DECEMBER 1, 2017

FRAMING DETAILS  
 AND SECTIONS

**S3.4**