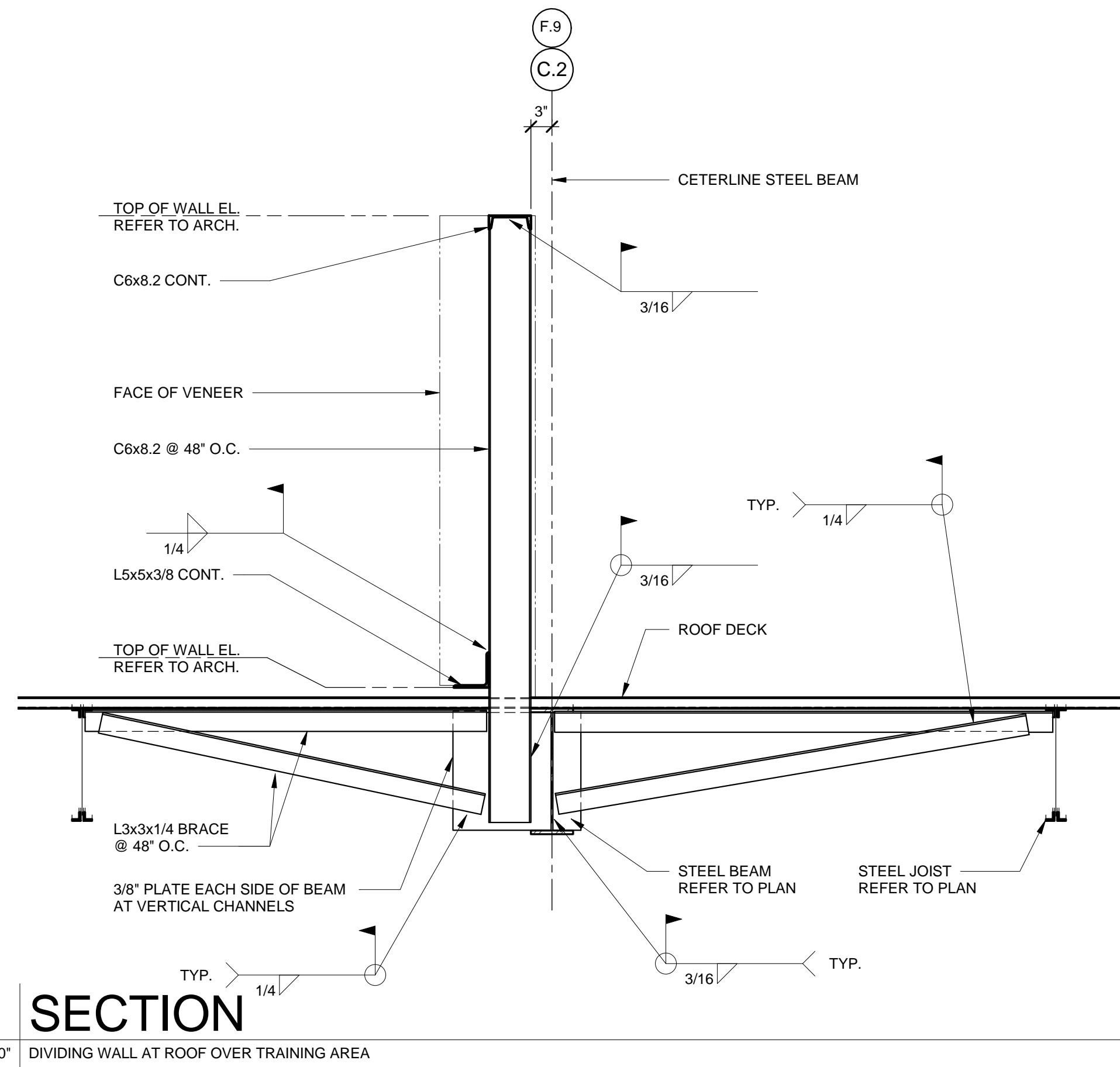


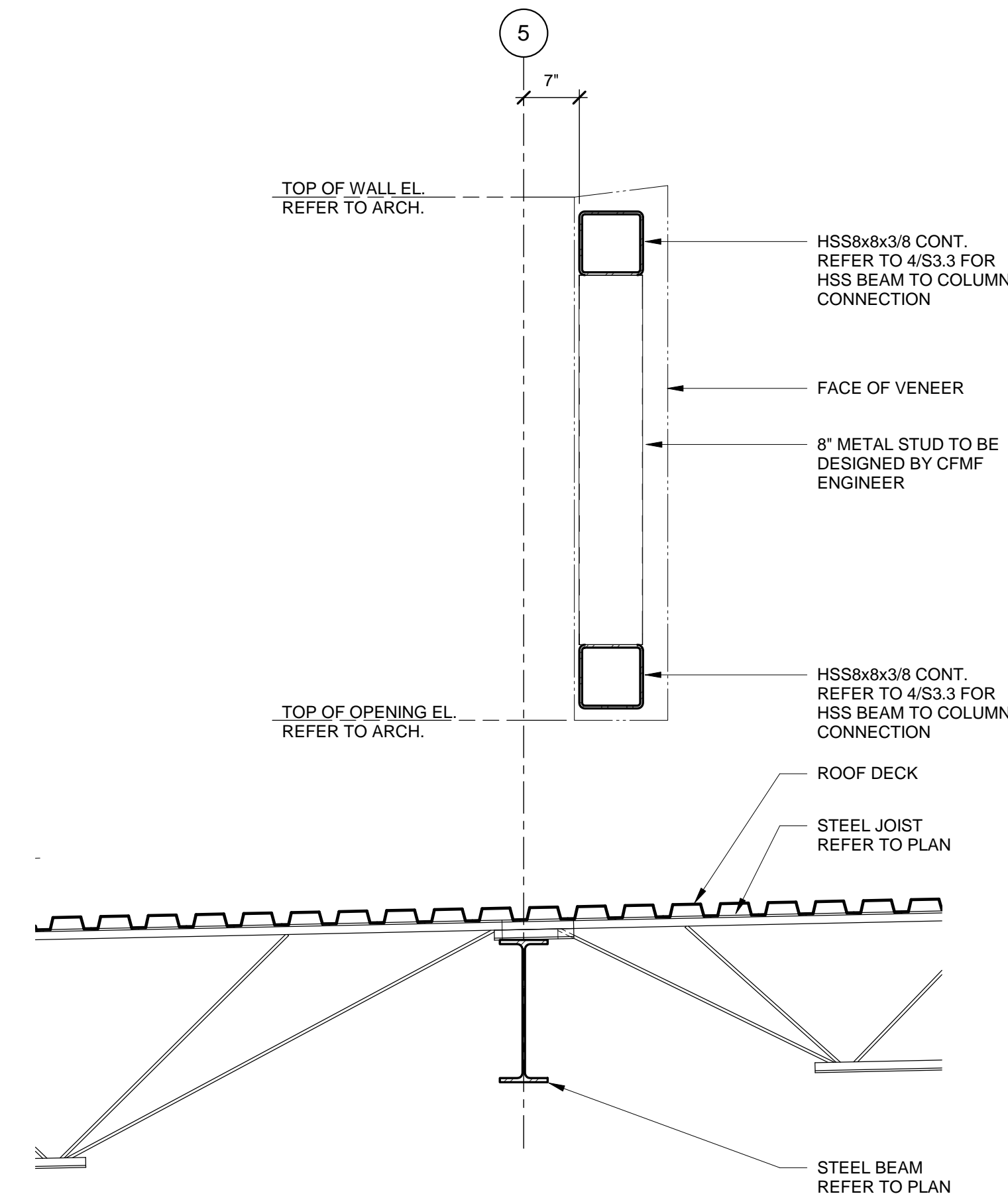
THIS DOCUMENT IS RELEASED ON 12-1-17 FOR THE PURPOSE OF BIDDING ONLY UNDER THE AUTHORITY OF BRYAN WADE GREEN, P.E. 74453. IT IS NOT TO BE USED FOR CONSTRUCTION OR FABRICATION PURPOSES.

Revision Schedule		
Rev. #	Revision Description	Revision Date



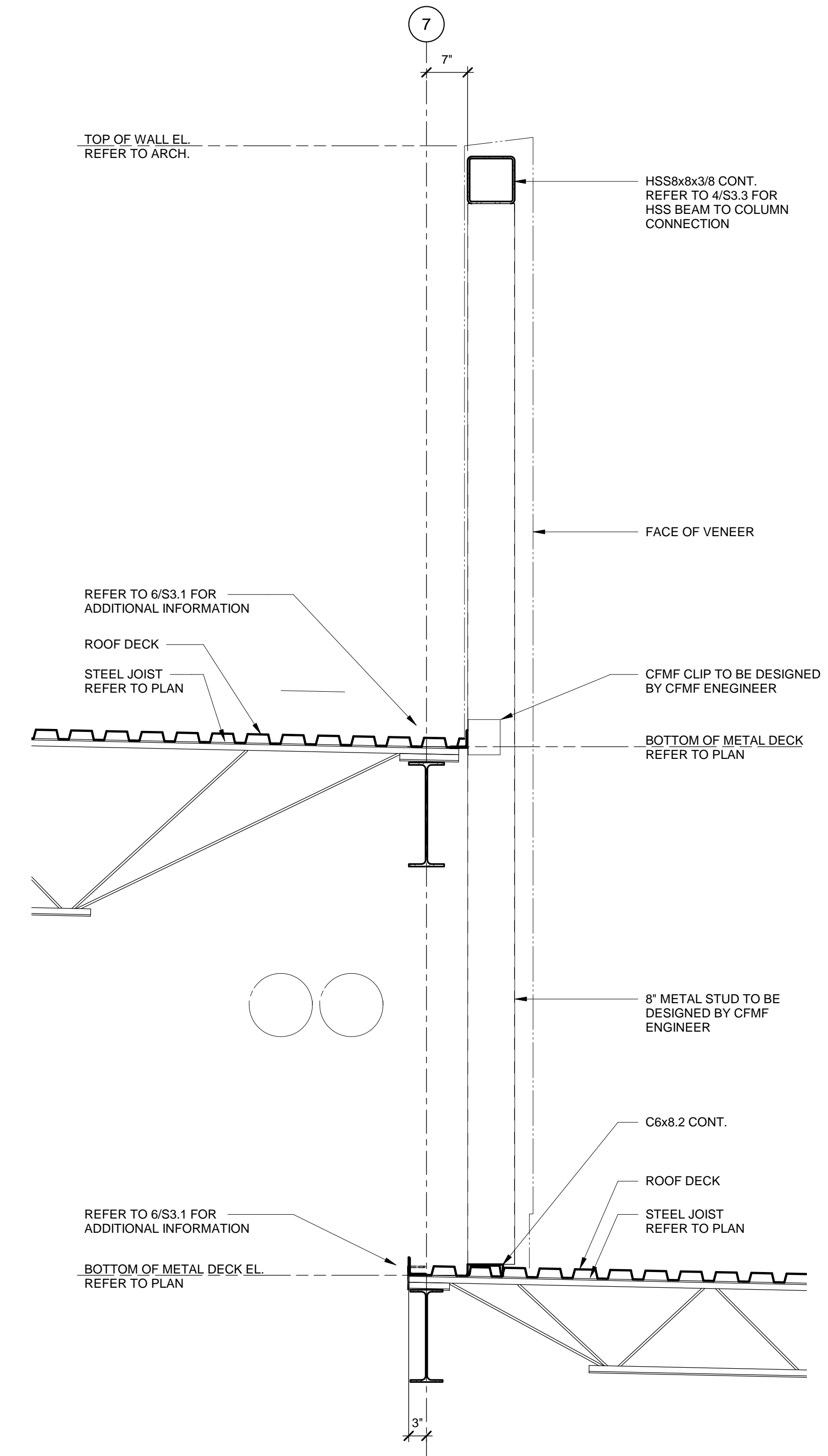
### 1 SECTION

3/4" = 1'-0" DIVIDING WALL AT ROOF OVER TRAINING AREA



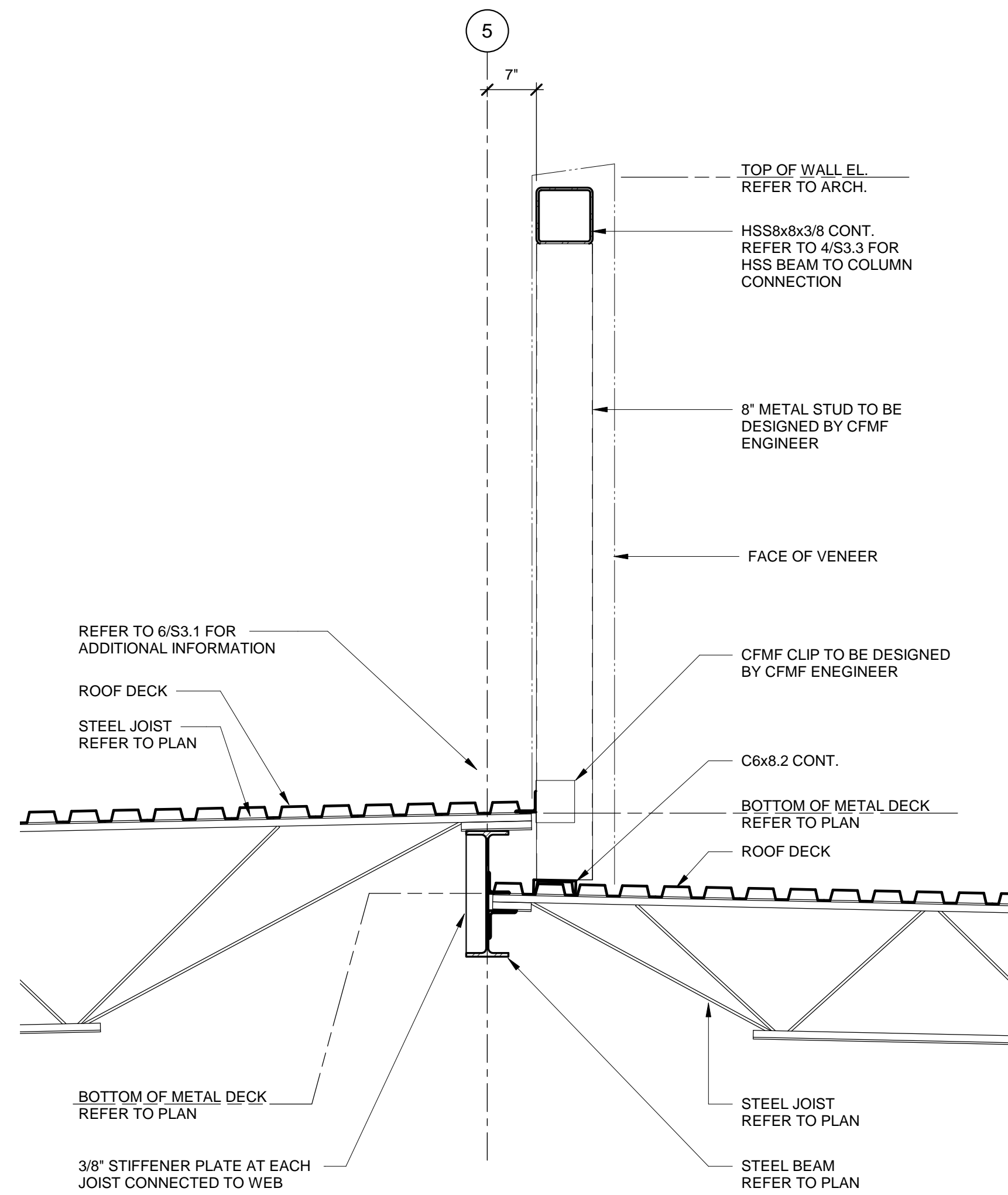
### 2 SECTION

3/4" = 1'-0" SCREEN WALL



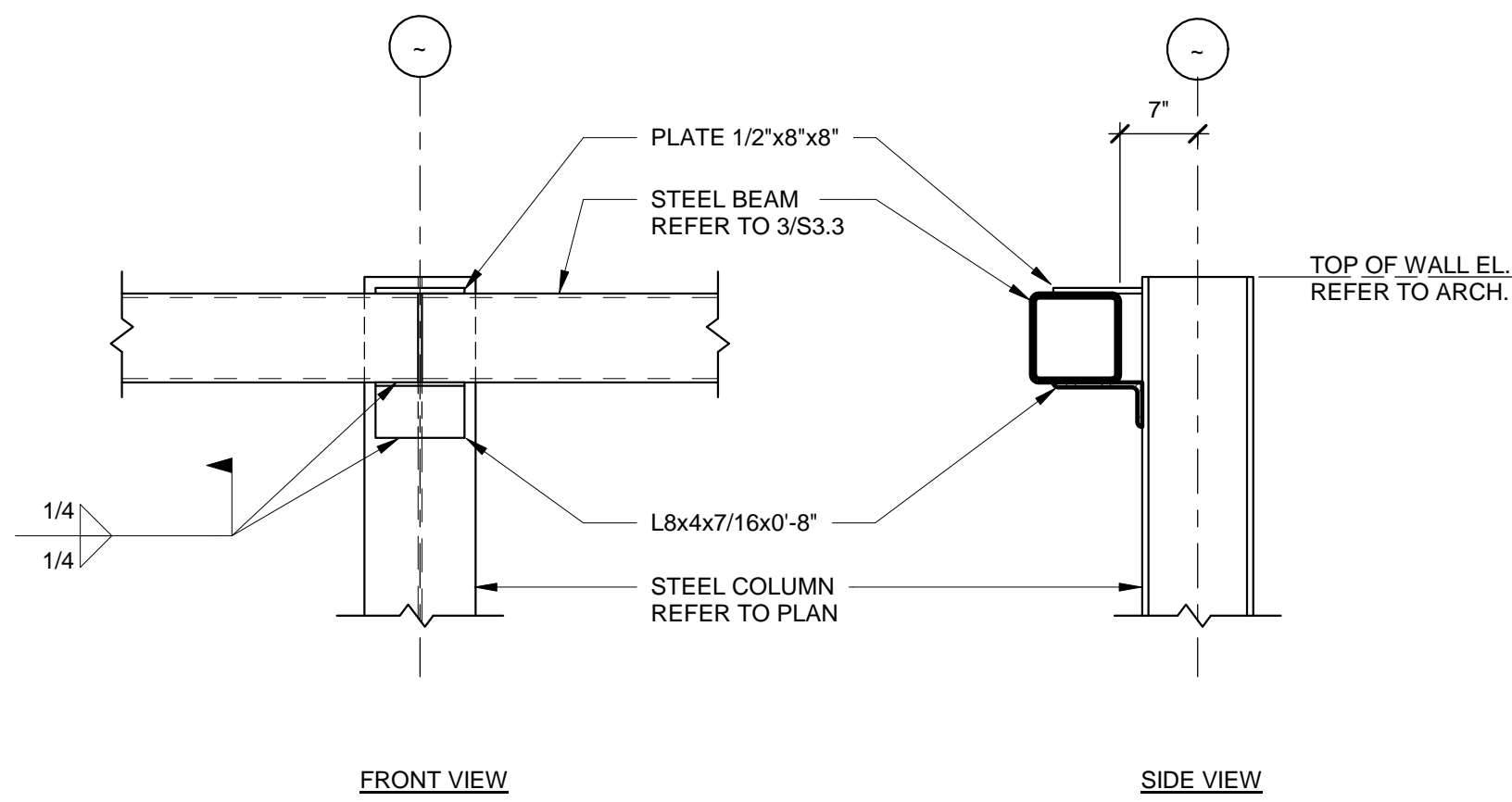
### 3 SECTION

3/4" = 1'-0" STEP IN ROOF FRAMING ALONG GRID 5



### 4 DETAIL

3/4" = 1'-0" HSS BEAM TO COLUMN CONNECTION AT PARAPET

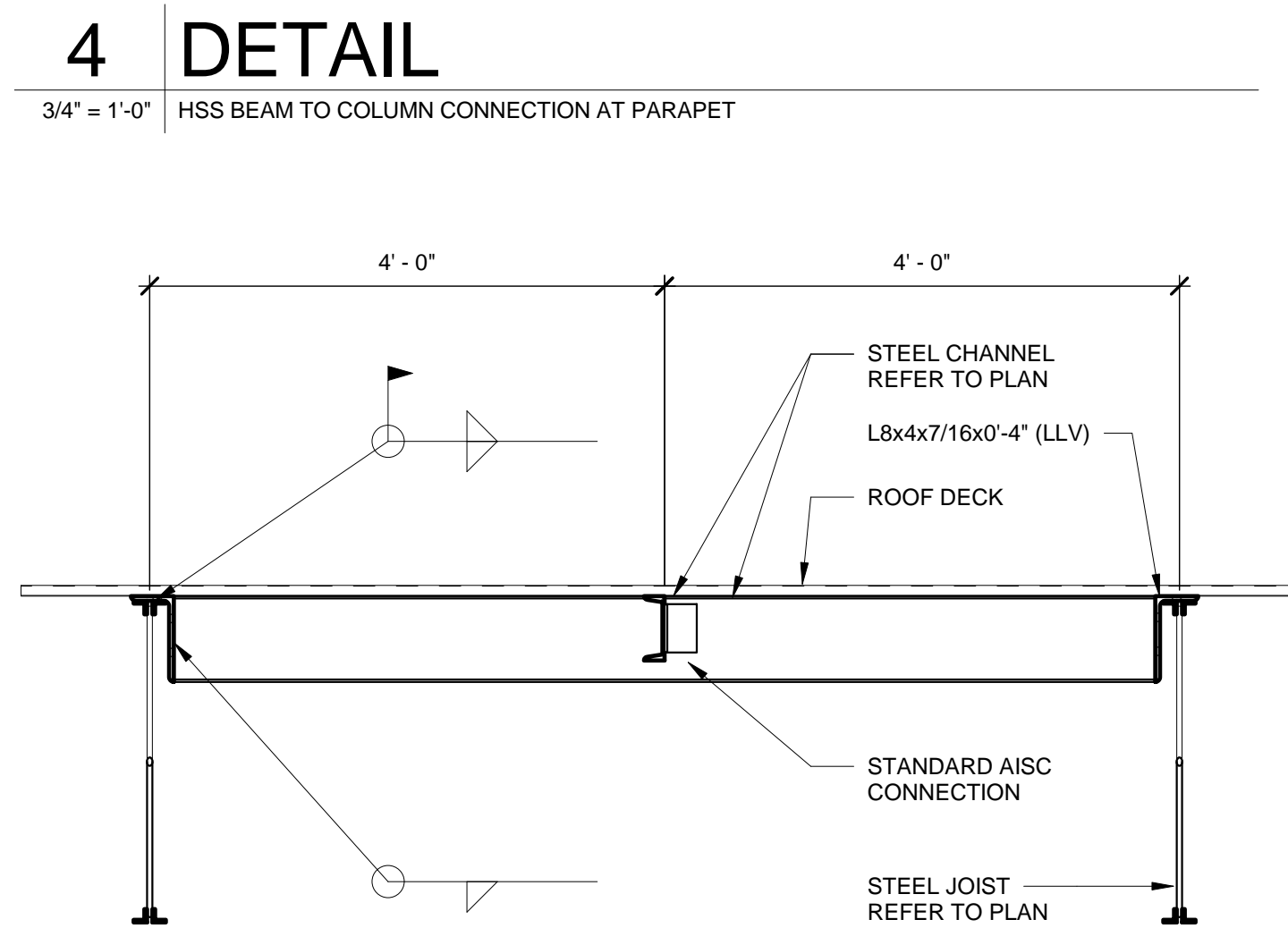


### 5 SECTION

3/4" = 1'-0" STEP IN ROOF FRAMING ALONG GRID 7

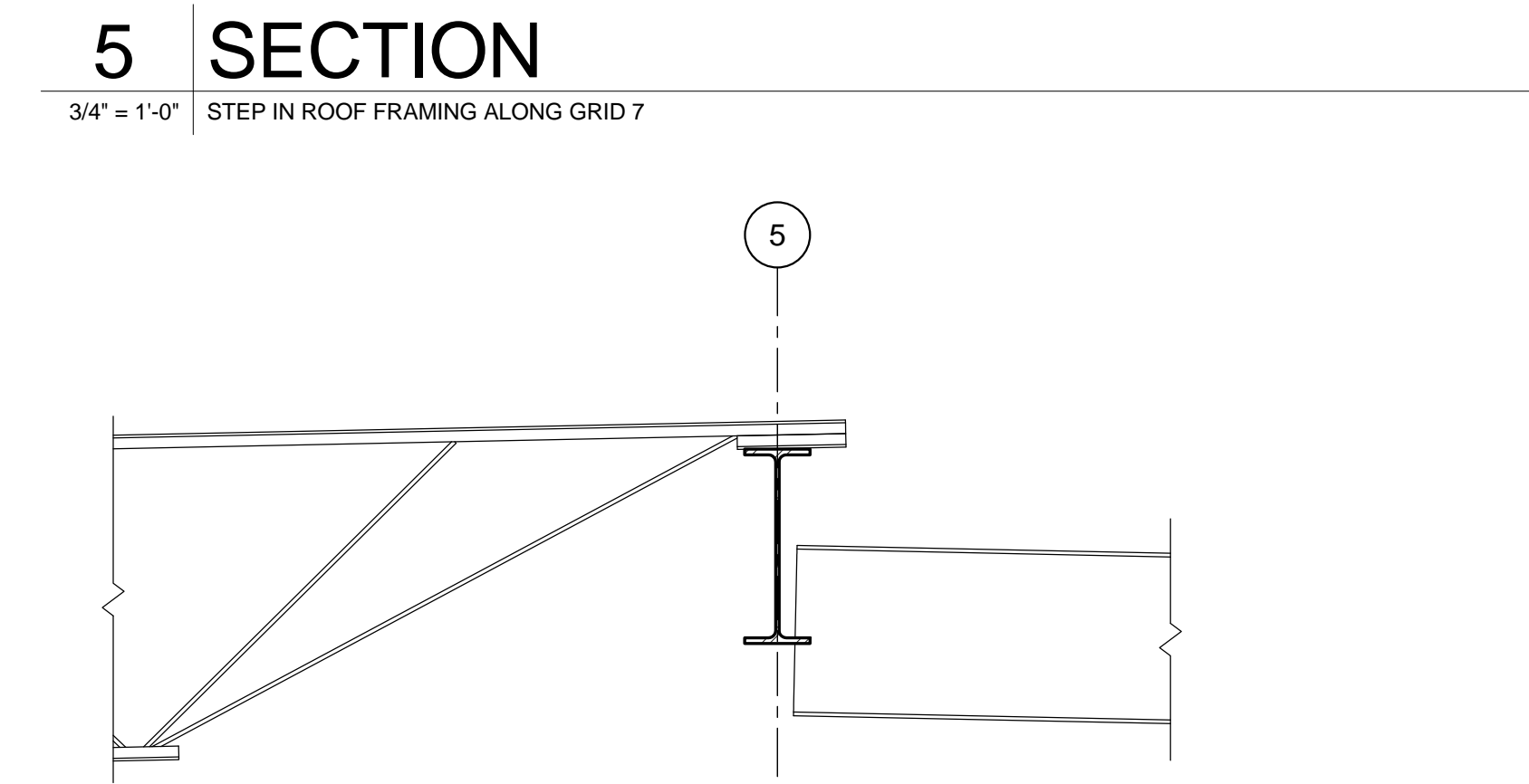
### 6 SECTION

3/4" = 1'-0" STEP IN FRAMING ALONG GRID 5



### 6 DETAIL

3/4" = 1'-0" JOIST HEADER AT SKYLIGHTS



### 7 SECTION

3/4" = 1'-0" BEAM TO BEAM CONNECTION AT STEP IN ROOF

**FWN&A**  
 Frank W. Neal & Assoc., Inc.  
 1016 W. Broadway Ave.  
 Fort Worth, TX 76104  
 Texas firm reg. no. F-600296  
 817-332-1944  
 fwna-eng.com

TEXAS GUN  
 EXPERIENCE  
 GRAPEVINE, TX

217.130.03  
 DECEMBER 1, 2017

FRAMING DETAILS  
 AND SECTIONS

**S3.3**