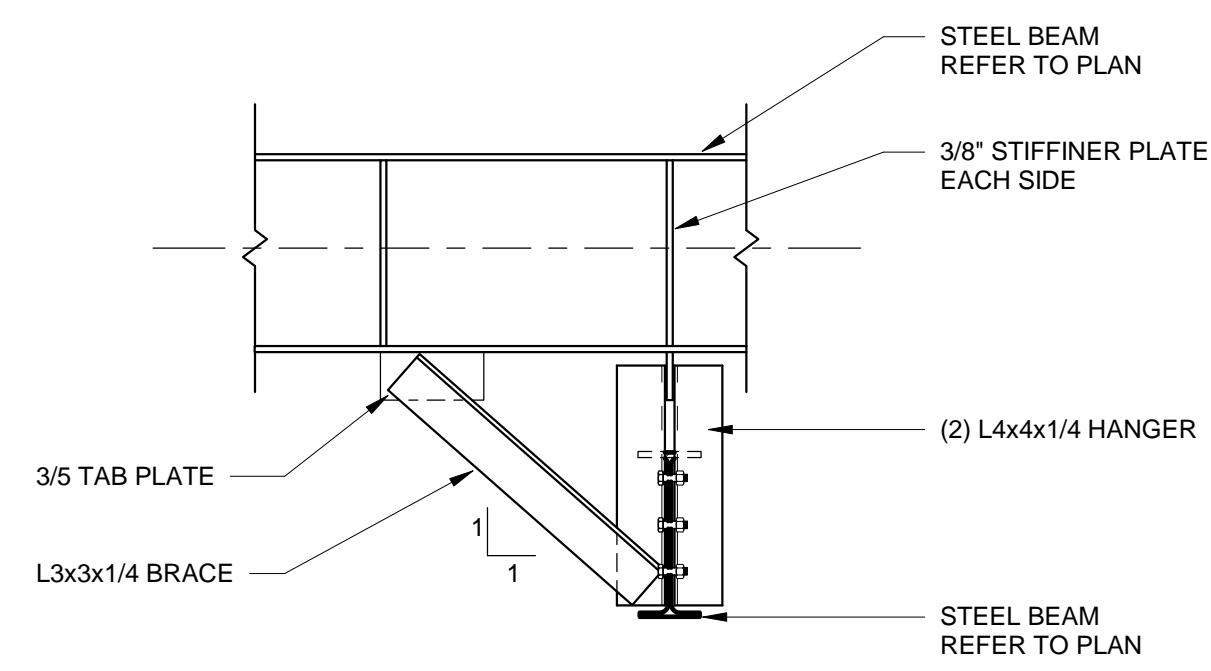


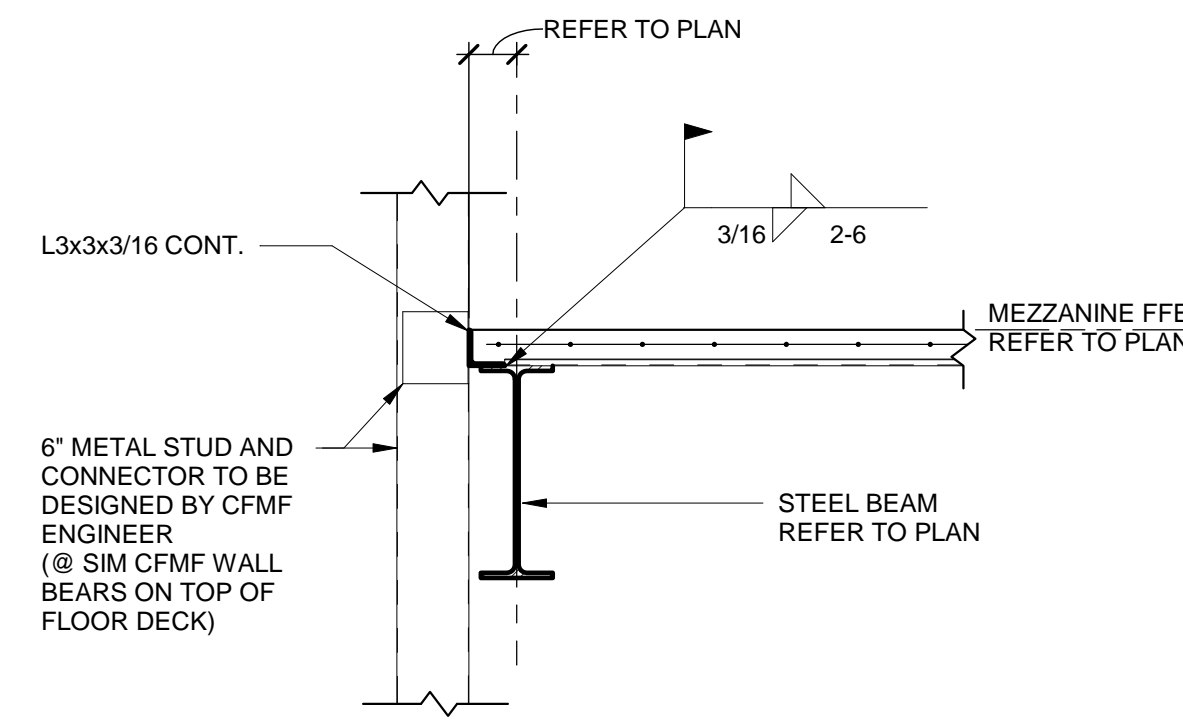
1 DETAIL

3/4" = 1'-0" STEEL HANGER



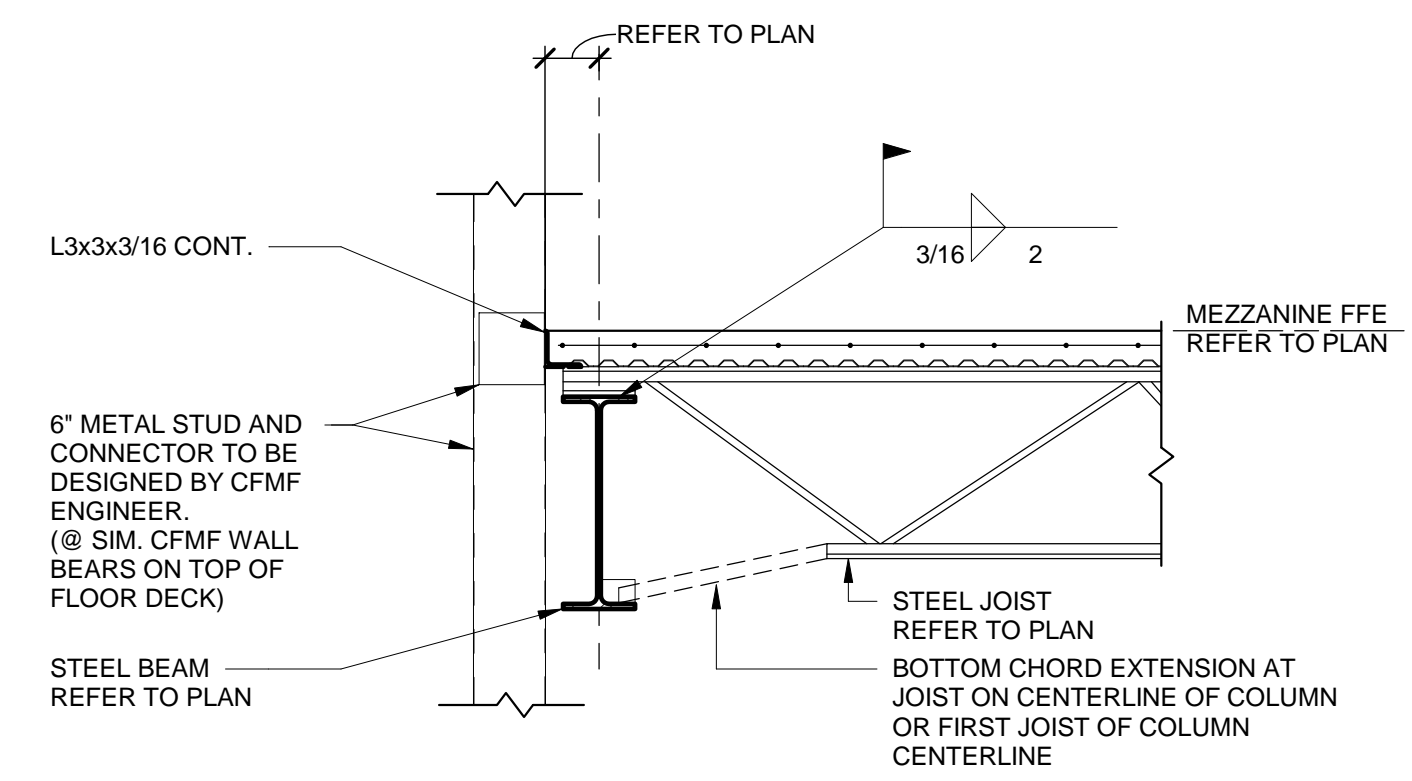
2 DETAIL

3/4" = 1'-0" HANGER BRACE



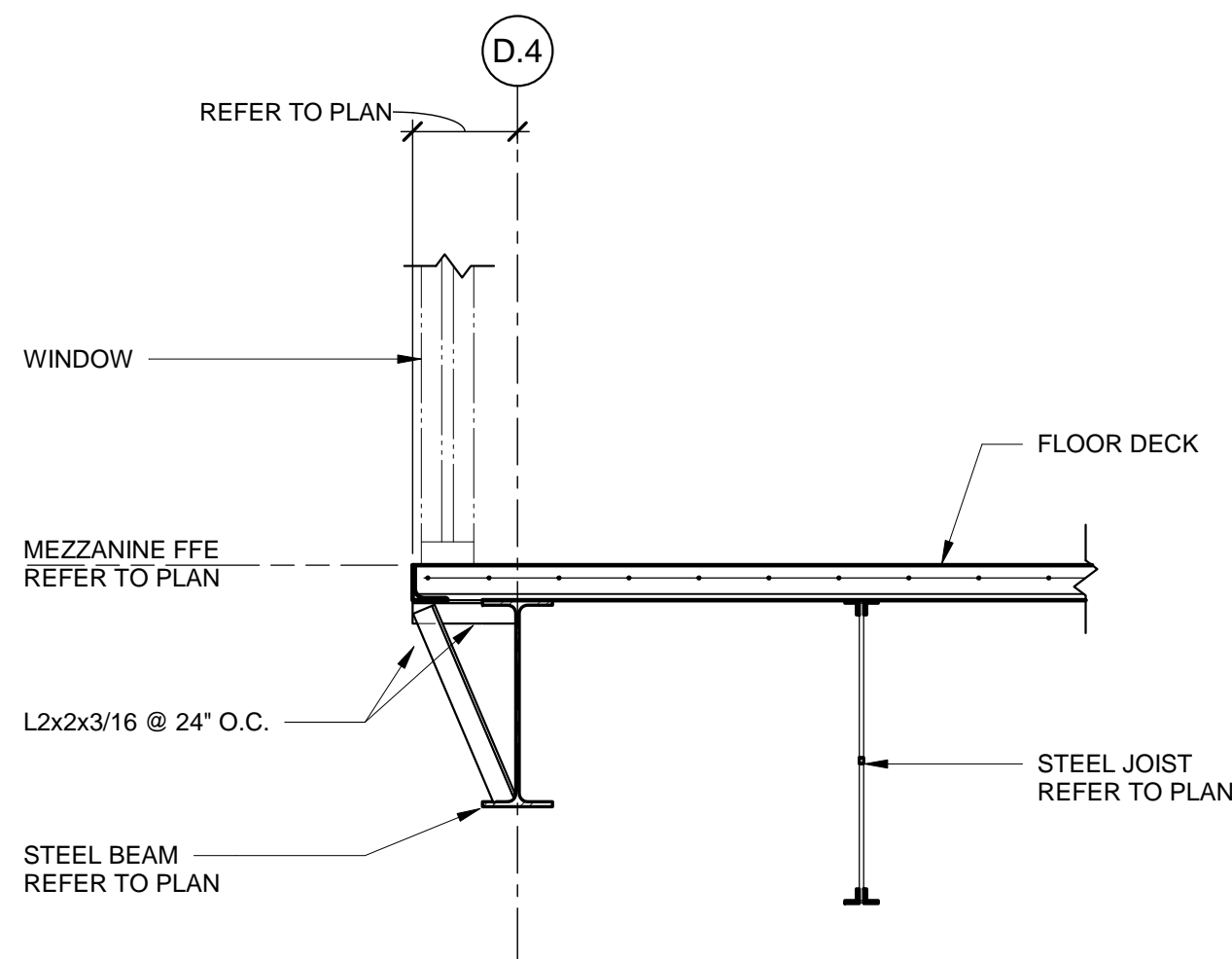
3 DETAIL

3/4" = 1'-0" DECK TO BEAM CONNECTION WITH CONCRETE DECK



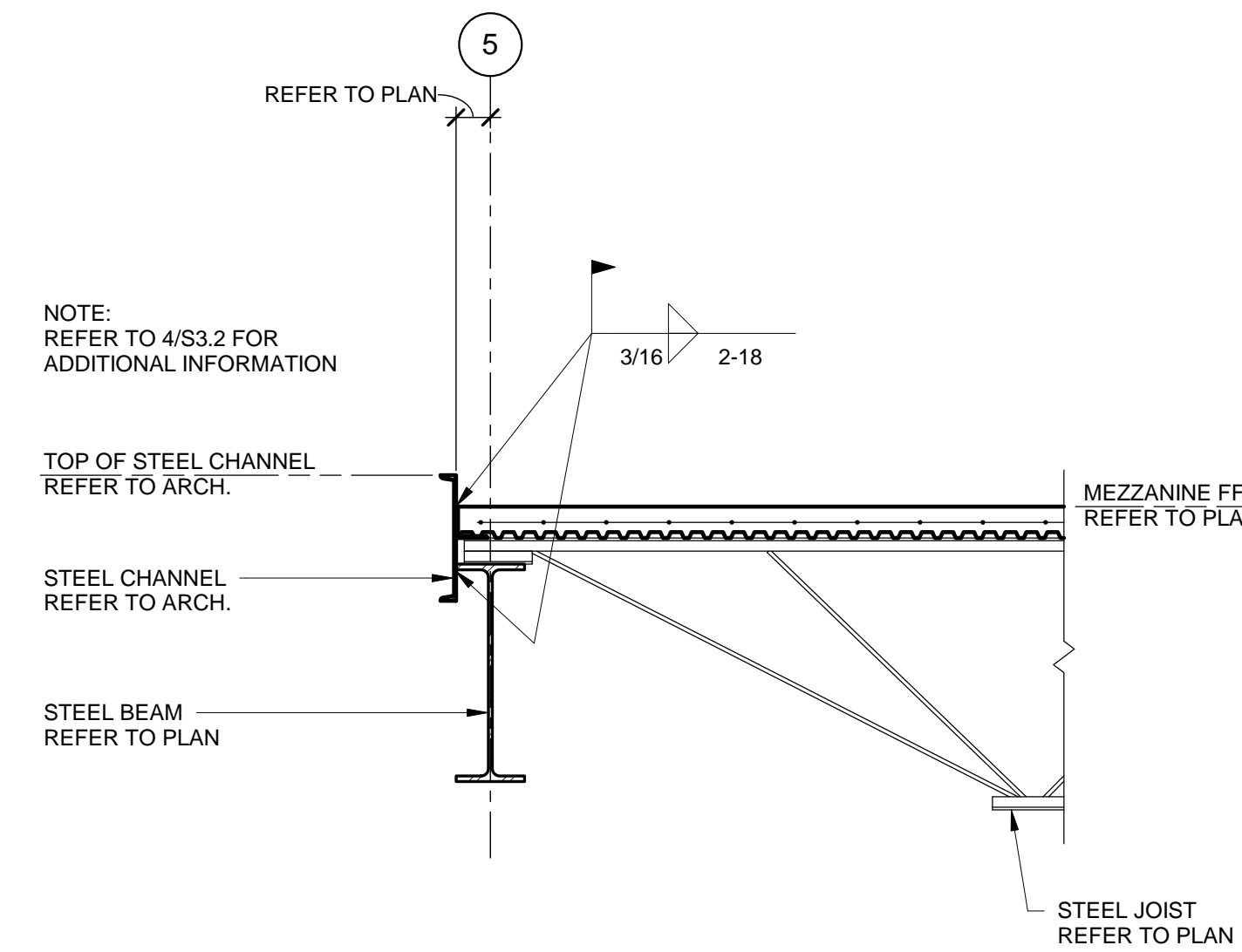
4 DETAIL

3/4" = 1'-0" JOIST TO BEAM CONNECTION WITH CONCRETE DECK



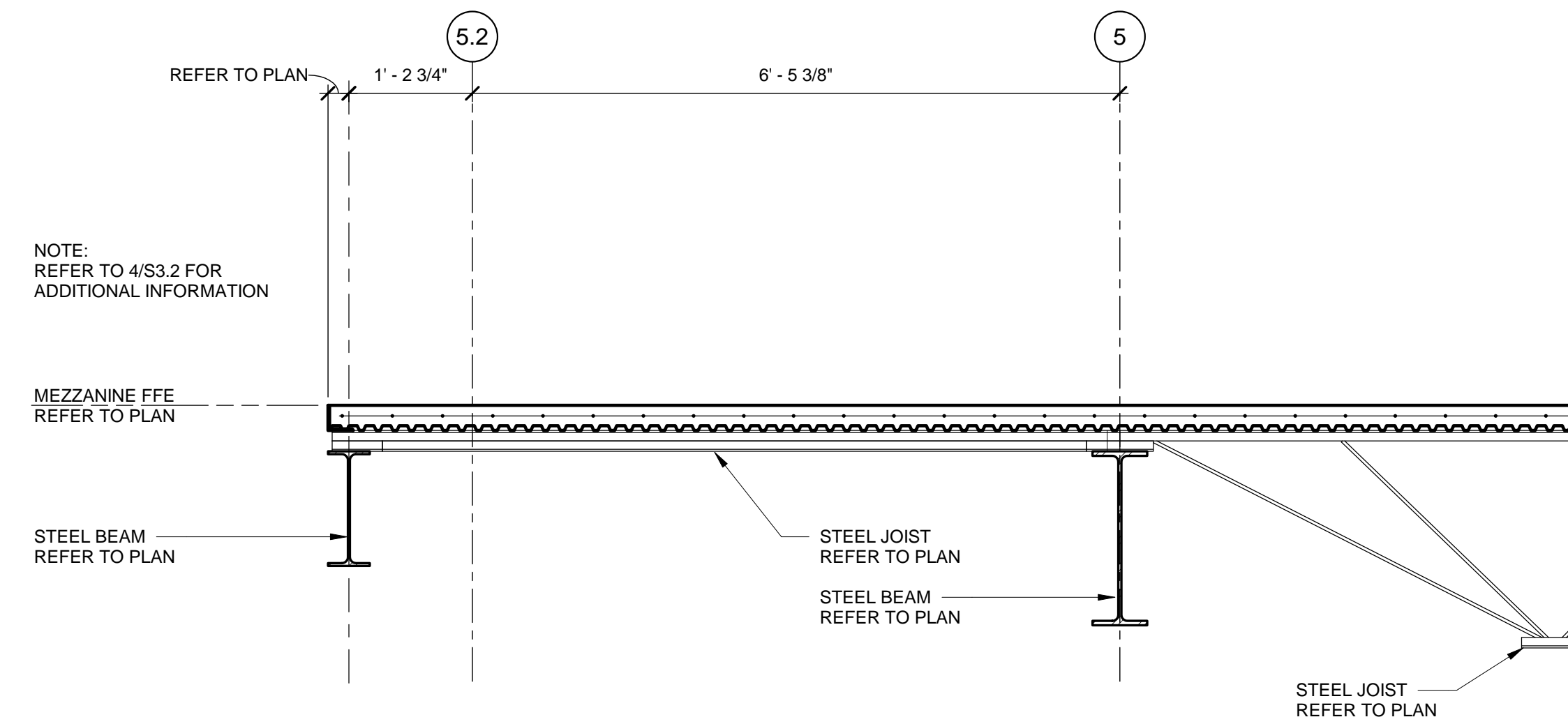
5 SECTION

3/4" = 1'-0" FLOOR DECK SUPPORT FRAME



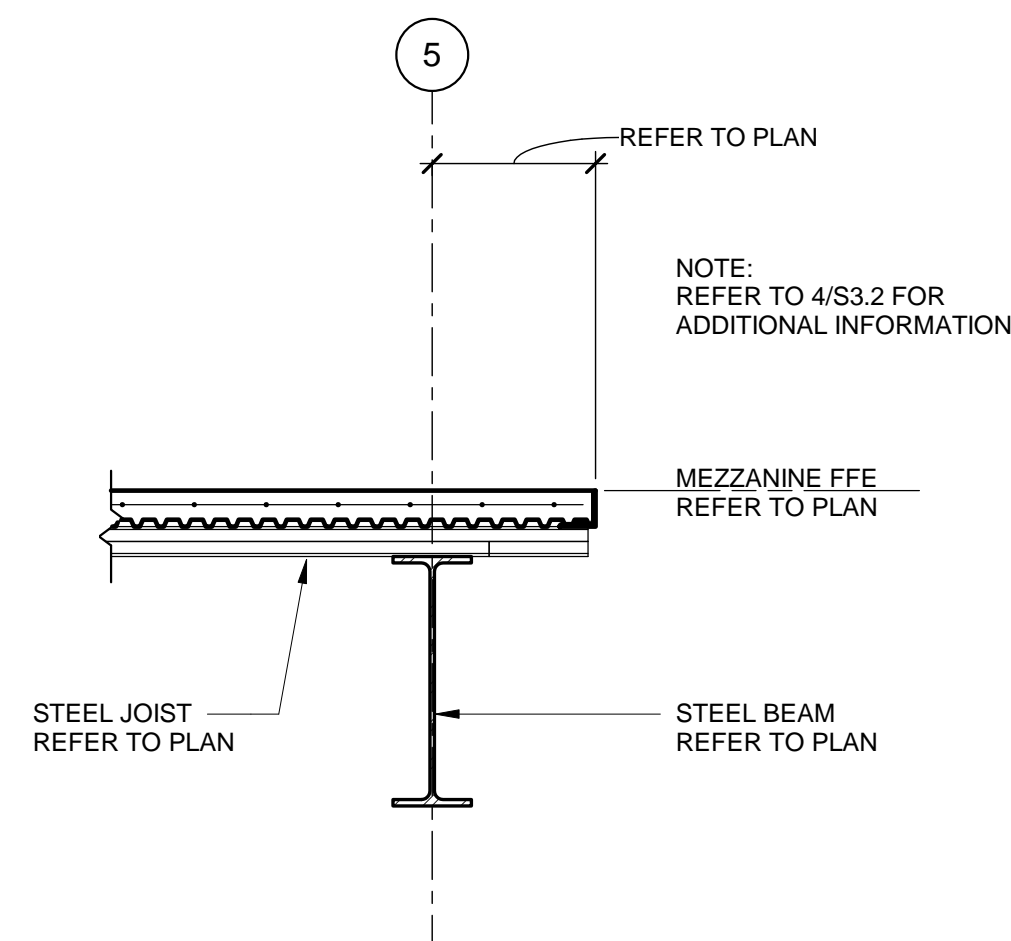
6 SECTION

3/4" = 1'-0" JOIST TO BEAM CONNECTION



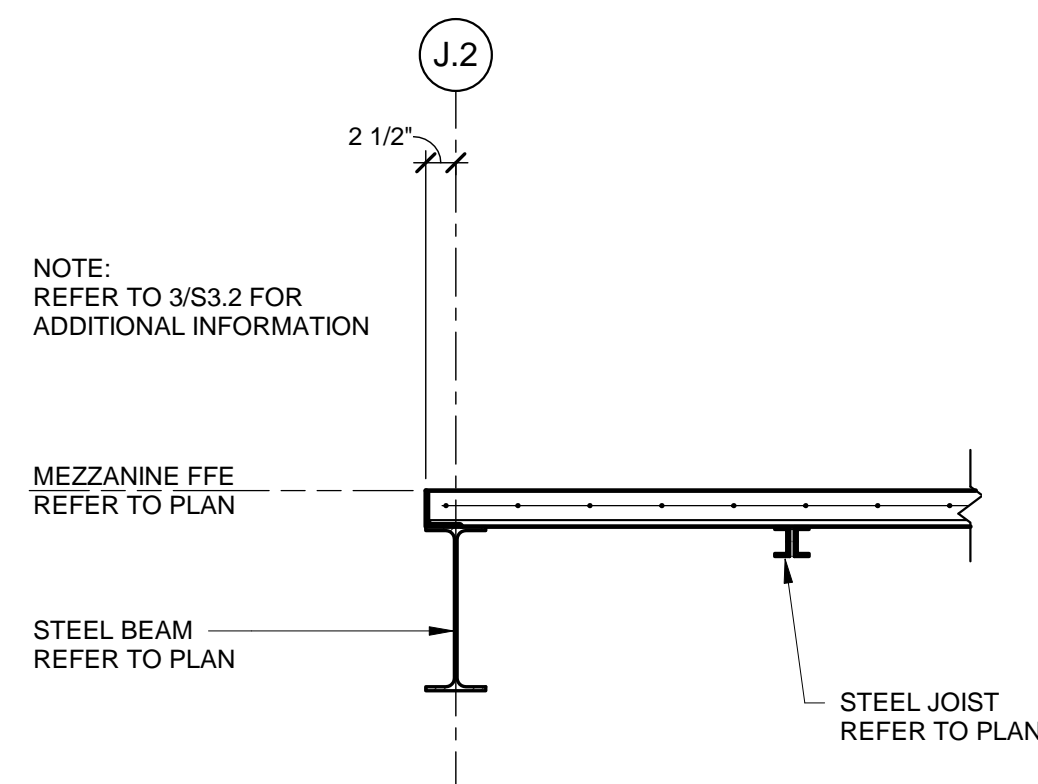
7 SECTION

3/4" = 1'-0" FLOOR EDGE AT ROOM 210



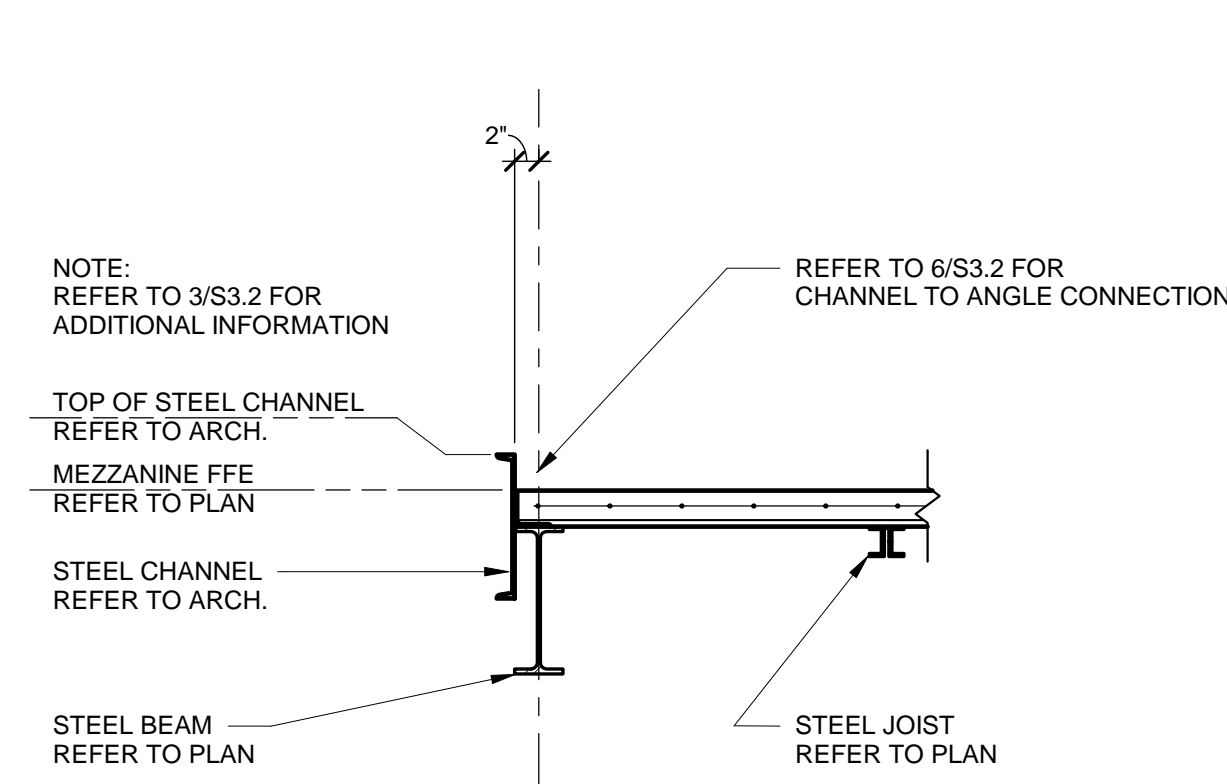
8 SECTION

3/4" = 1'-0" CANTILEVERED JOIST



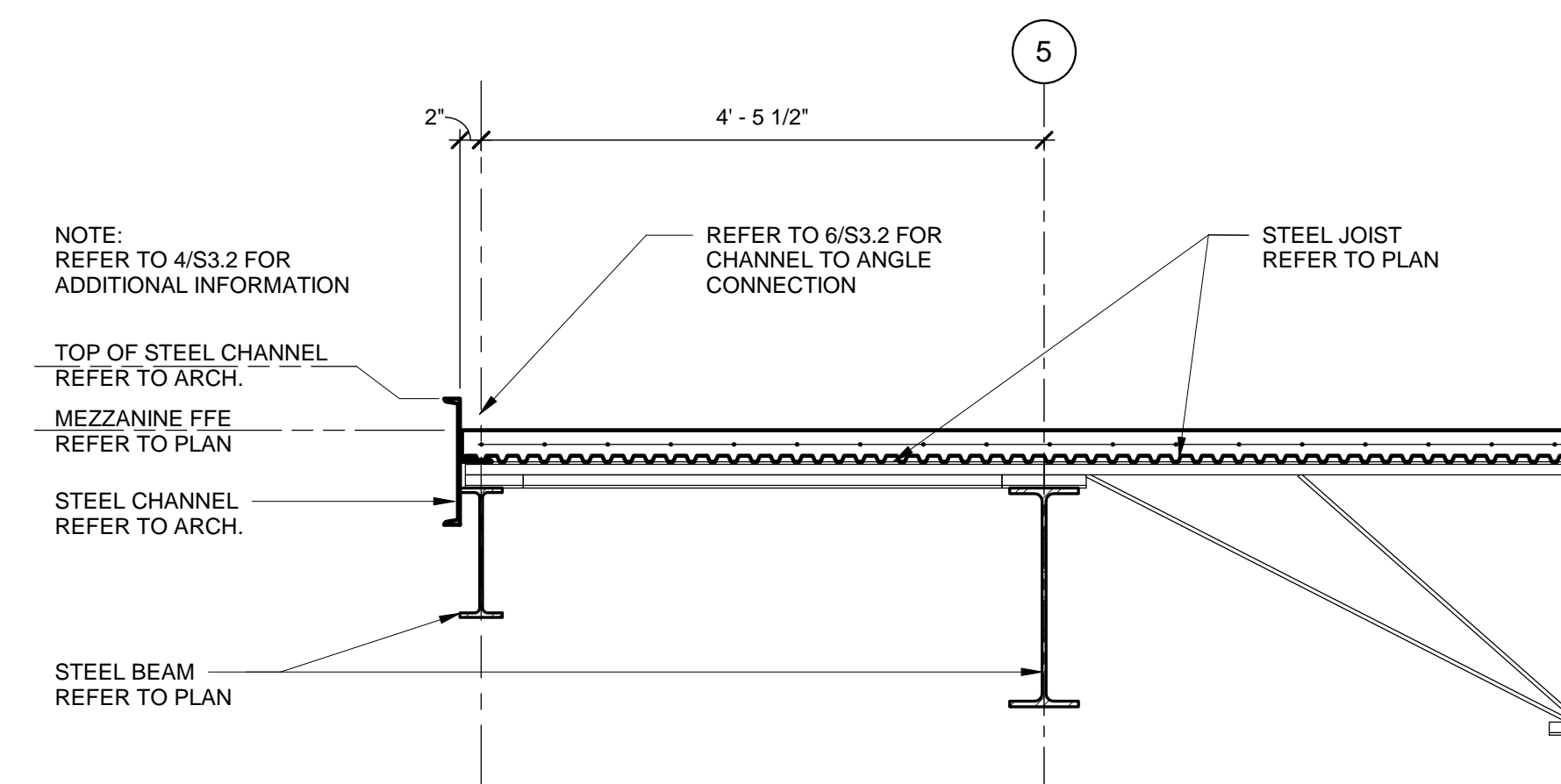
9 SECTION

3/4" = 1'-0" FLOOR EDGE



10 SECTION

3/4" = 1'-0" STAIR LANDING



11 SECTION

3/4" = 1'-0" STAIR LANDING

THIS DOCUMENT IS RELEASED ON 12-1-17 FOR THE PURPOSE OF BIDDING ONLY UNDER THE AUTHORITY OF BRYAN WADE GREEN, P.E. 74453. IT IS NOT TO BE USED FOR CONSTRUCTION OR FABRICATION PURPOSES.

Revision Schedule		
Rev. #	Revision Description	Revision Date

FWN&A
 Frank W. Neal & Assoc., Inc.
 1016 W. Broadway Ave.
 Fort Worth, TX 76104
 Texas firm reg. no. F-000296
 817-332-1944
 fwna-eng.com

TEXAS GUN
 EXPERIENCE
 GRAPEVINE, TX

217.130.03
 DECEMBER 1, 2017

FRAMING DETAILS
 AND SECTIONS

S3.2