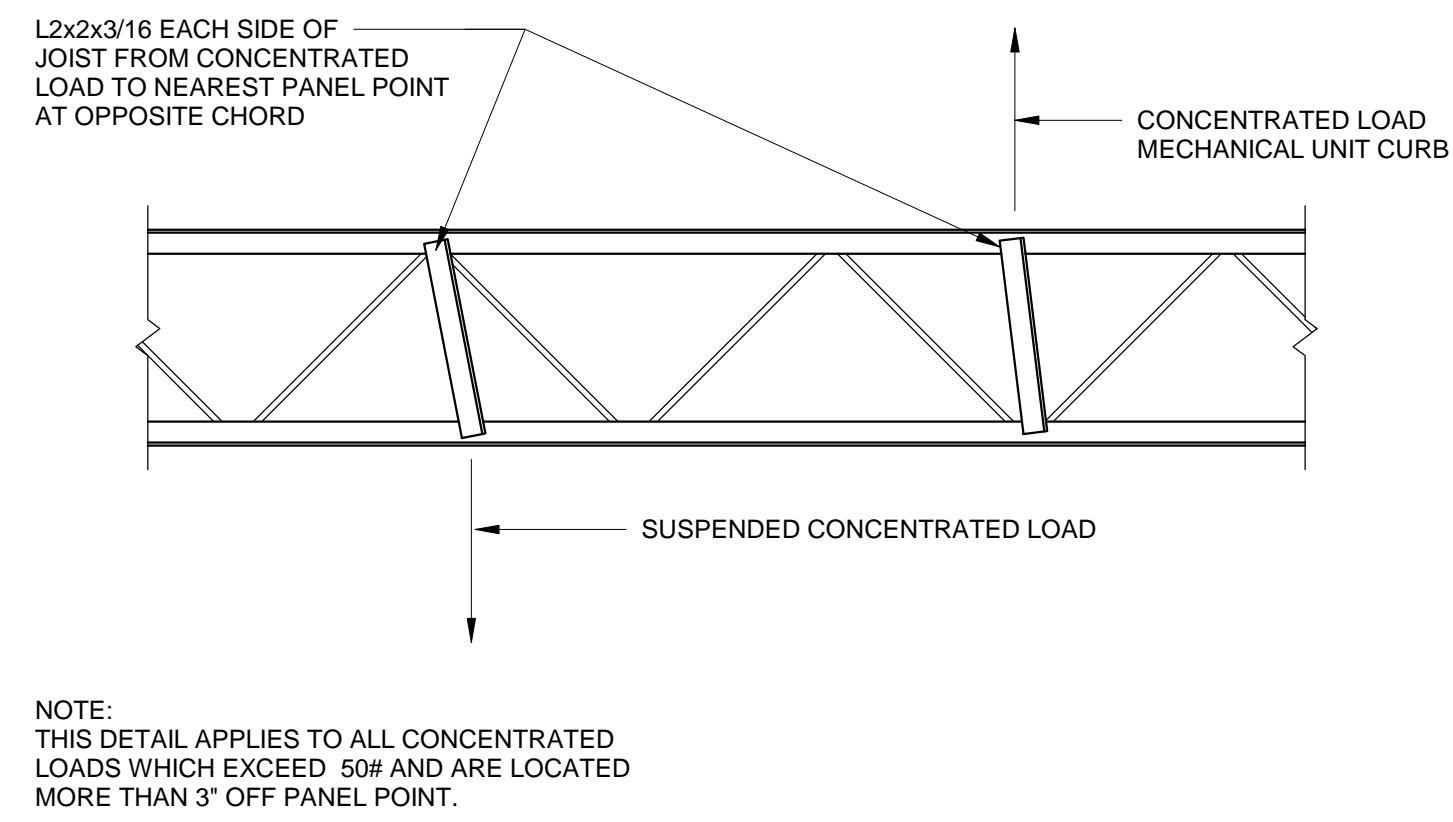
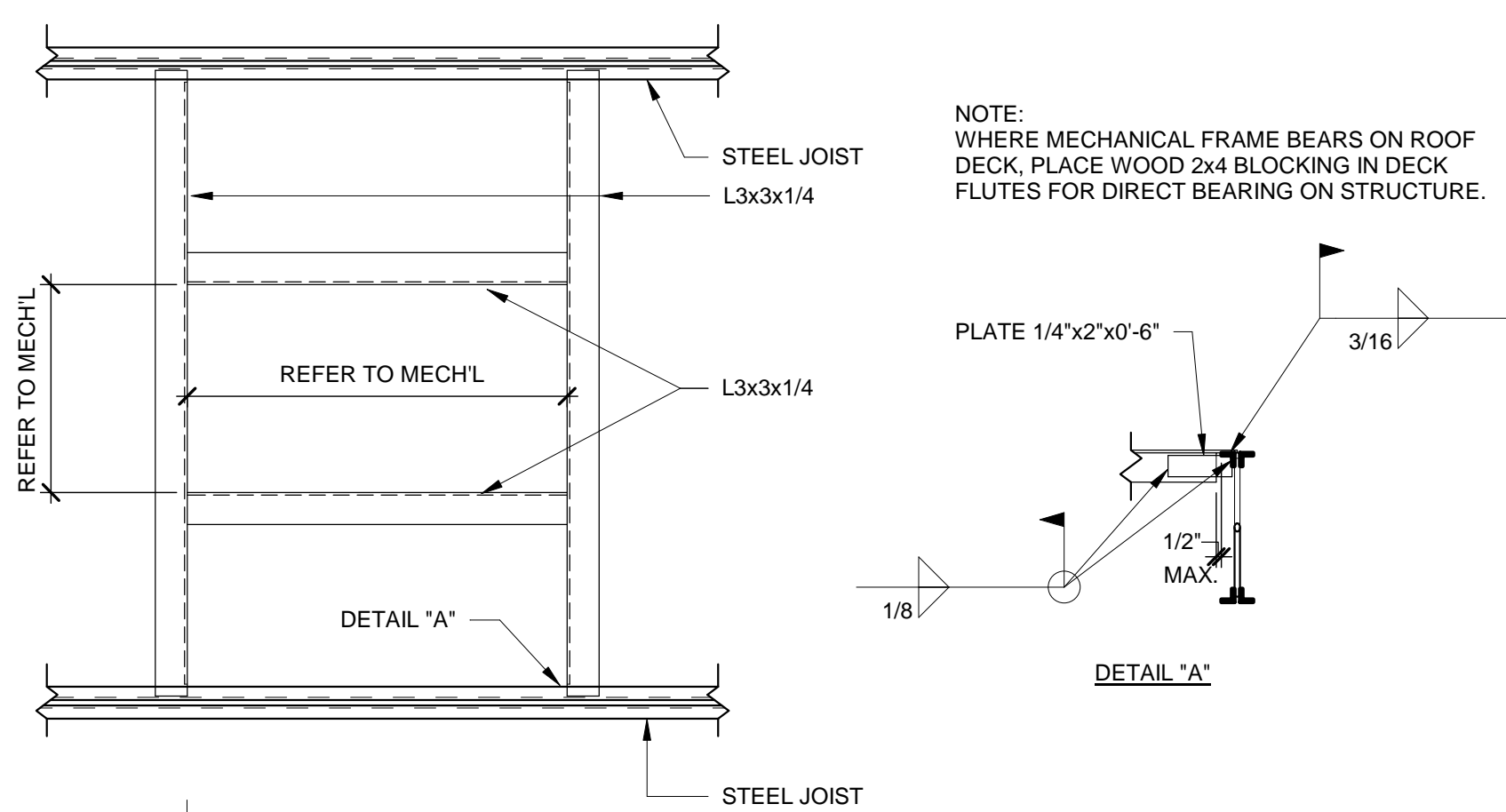


THIS DOCUMENT IS RELEASED ON 12-1-17 FOR THE PURPOSE OF BIDDING ONLY UNDER THE AUTHORITY OF BRYAN WADE GREEN, P.E. 74453. IT IS NOT TO BE USED FOR CONSTRUCTION OR FABRICATION PURPOSES.



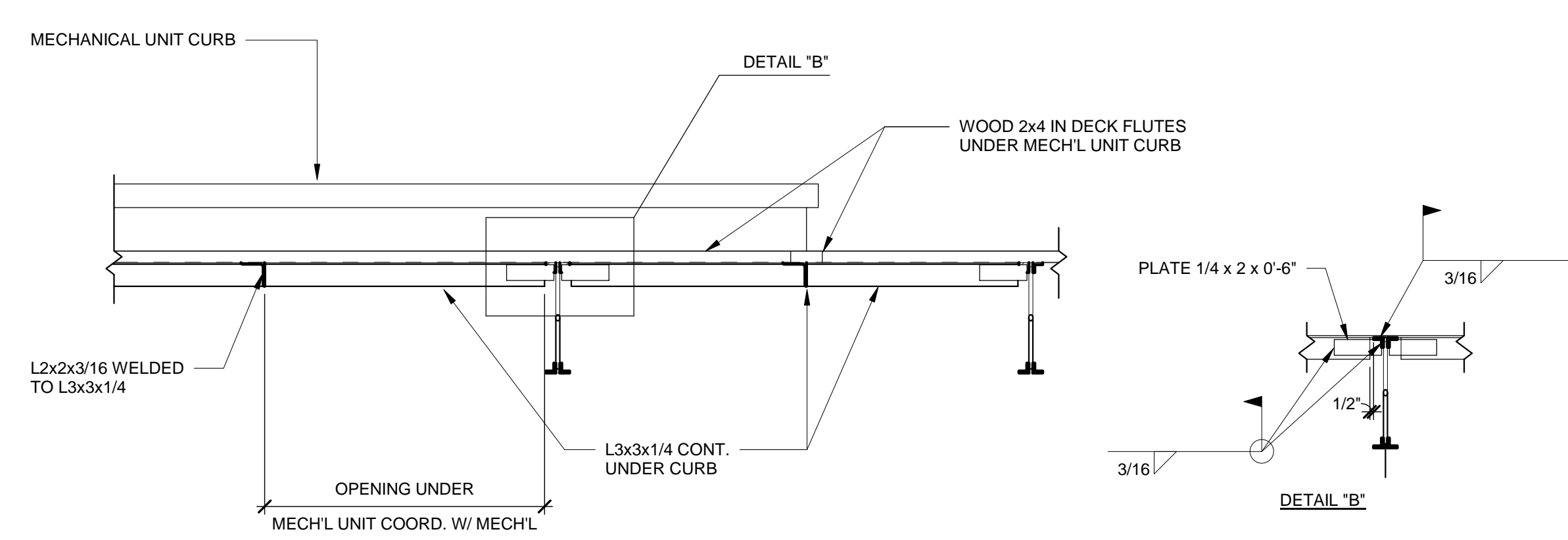
1 DETAIL

N.T.S. CONCENTRATED LOADS



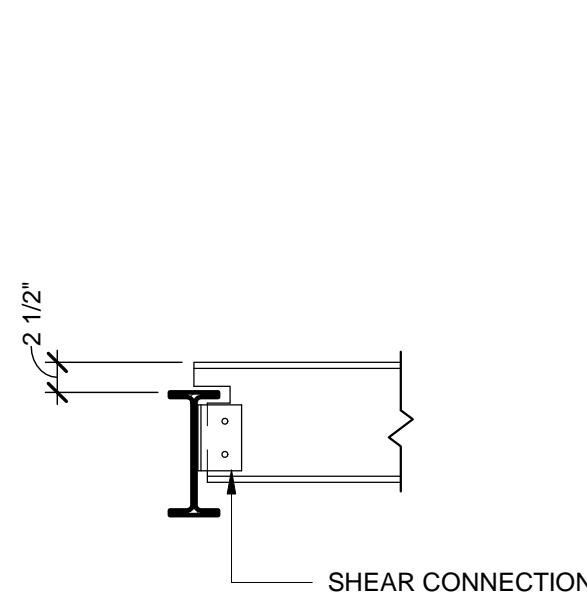
2 DETAIL

N.T.S. FRAMING FOR ROOF OPENING



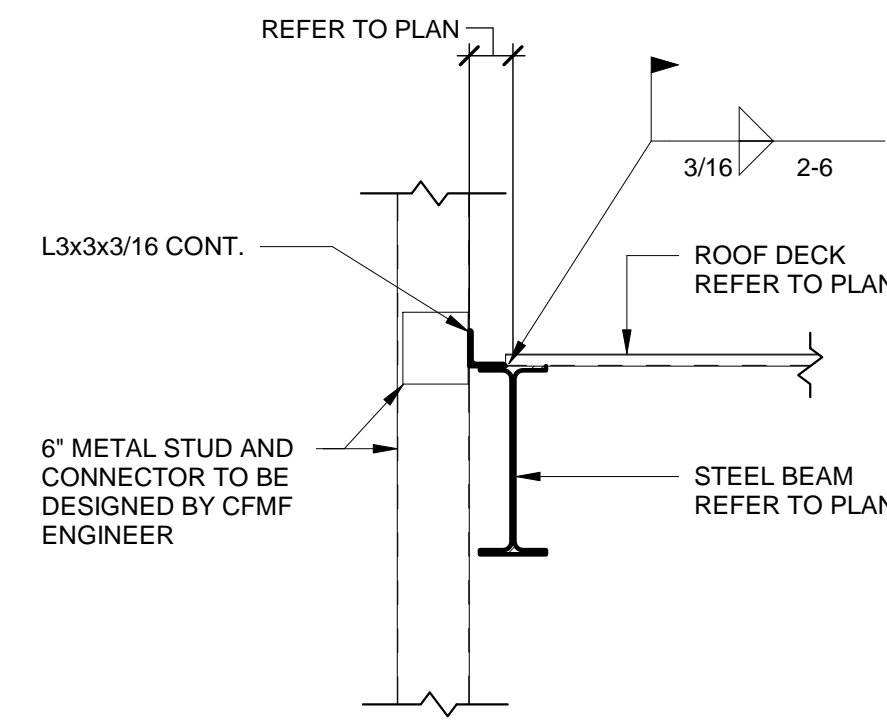
3 DETAIL

N.T.S. MECHANICAL UNIT CURB SUPPORT



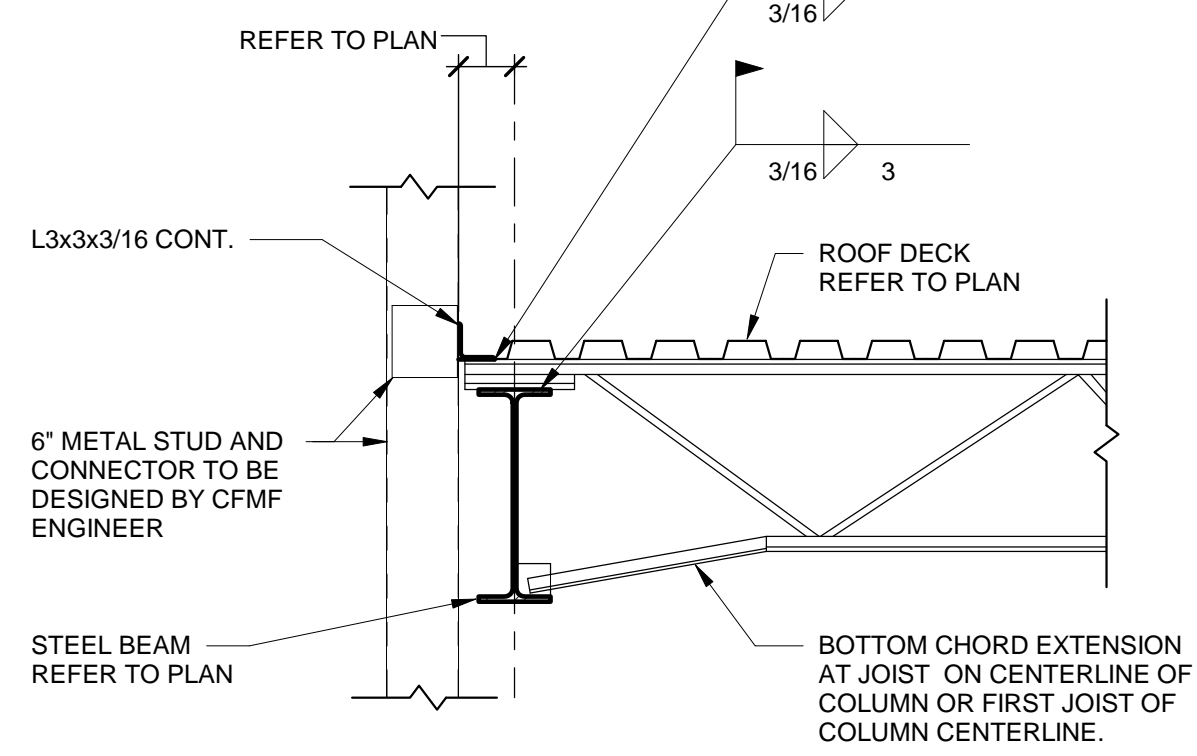
4 DETAIL

N.T.S. STEEL BEAM CONNECTION



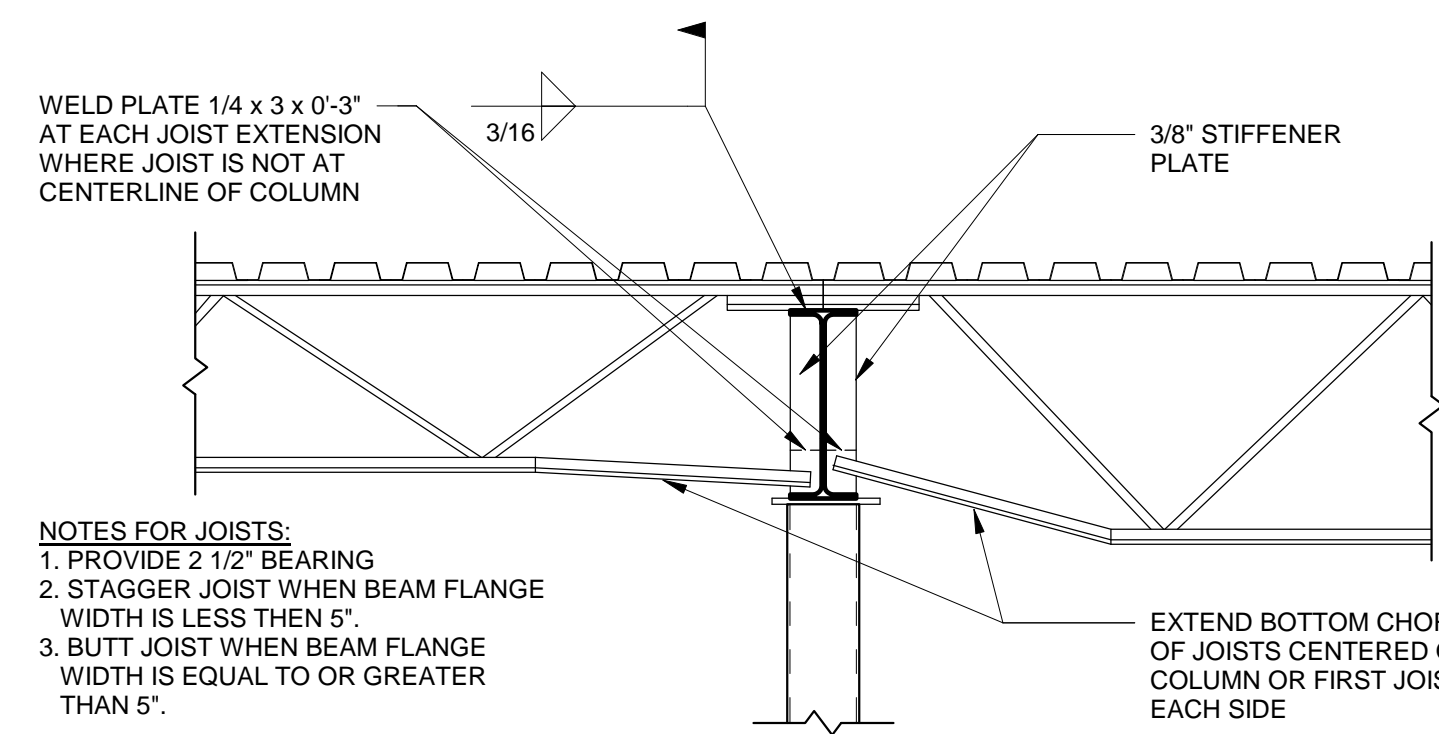
5 DETAIL

N.T.S. DECK TO BEAM CONNECTION



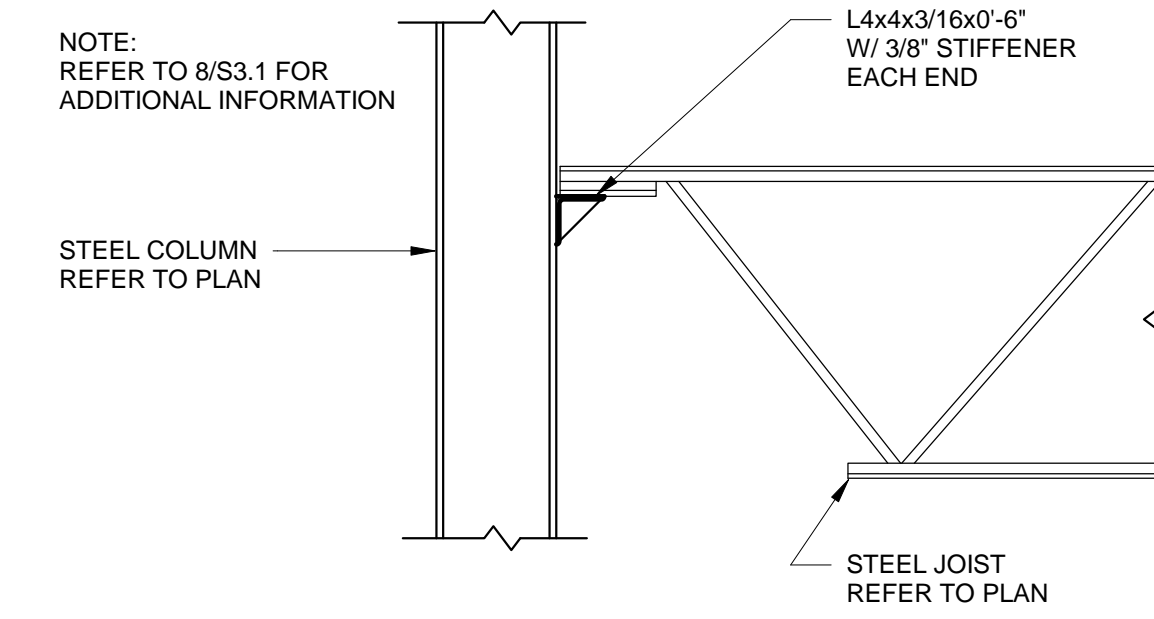
6 DETAIL

N.T.S. JOIST TO BEAM CONNECTION



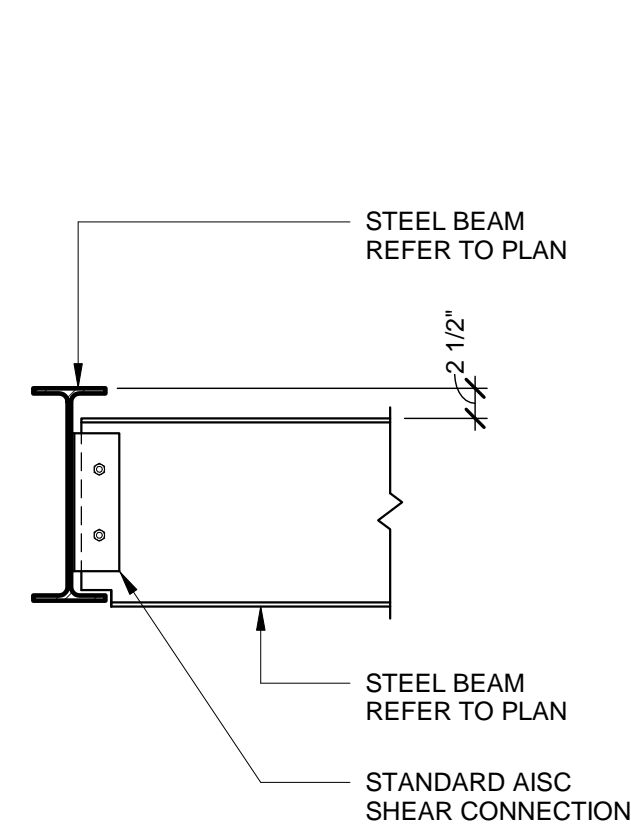
7 DETAIL

3/4" = 1'-0" COLUMN BRACE



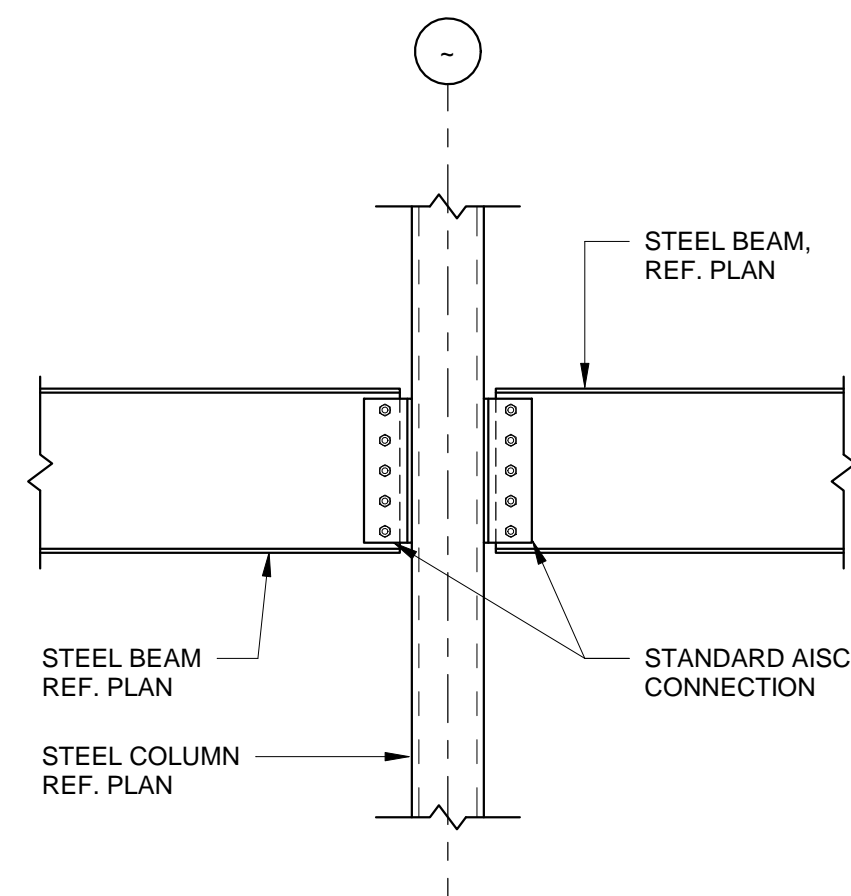
8 DETAIL

3/4" = 1'-0" STEEL JOIST TO STEEL COLUMN CONNECTION



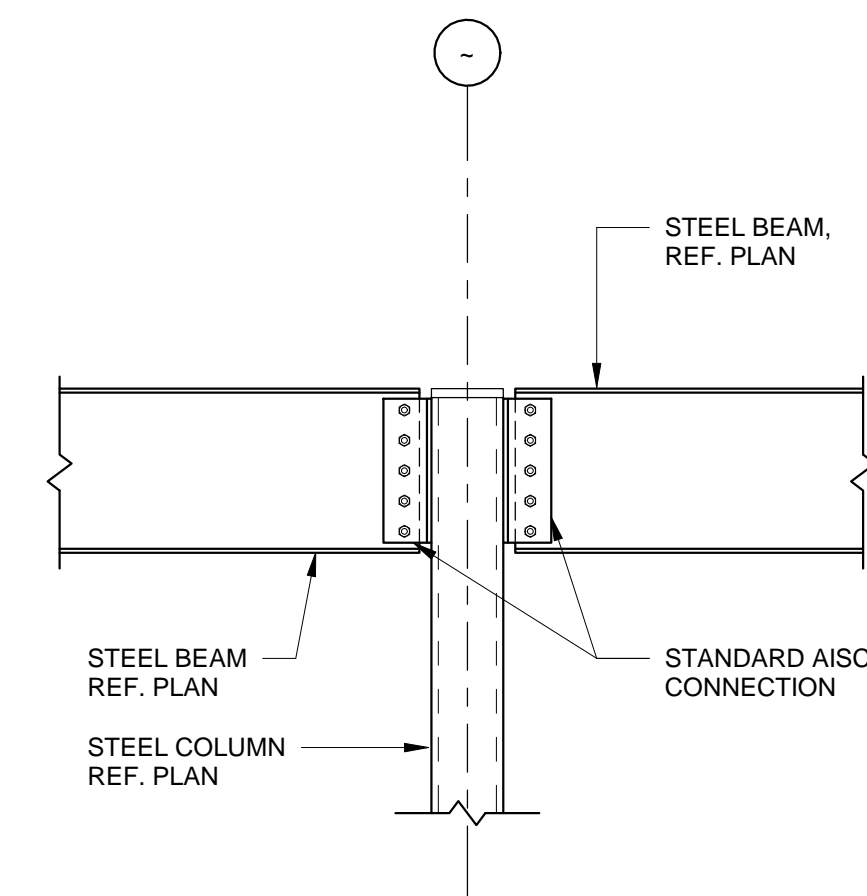
9 DETAIL

N.T.S. STEEL BEAM TO BEAM CONNECTION



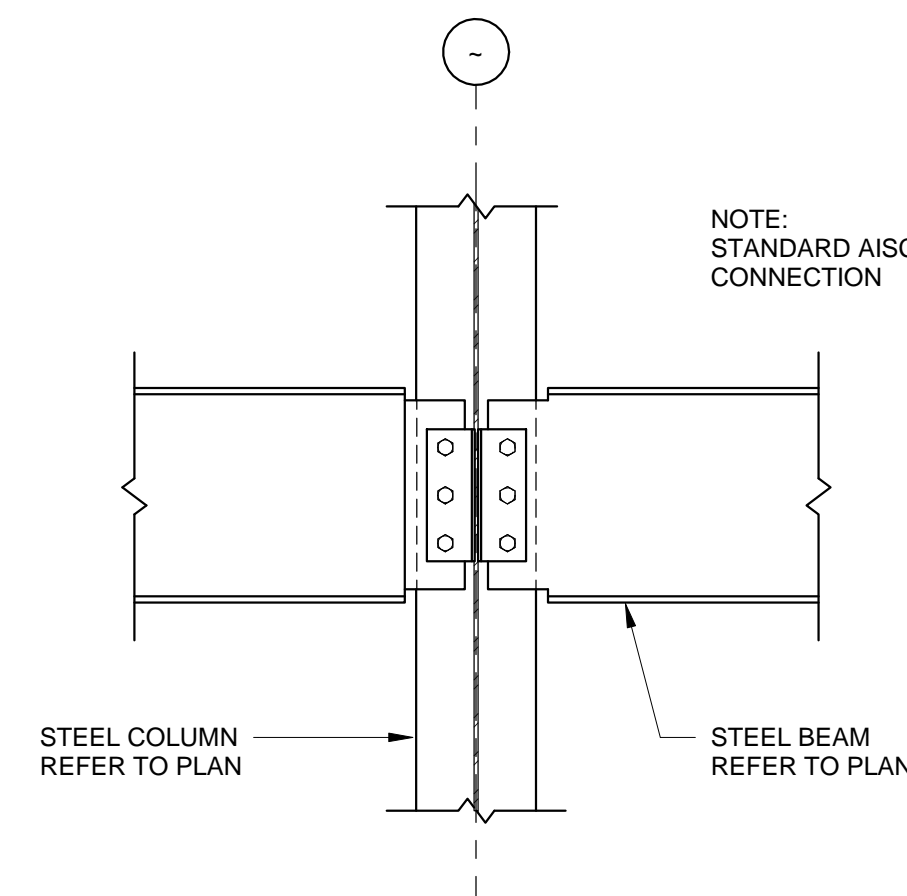
10 DETAIL

N.T.S. BEAM TO COLUMN CONNECTION AT FLOOR



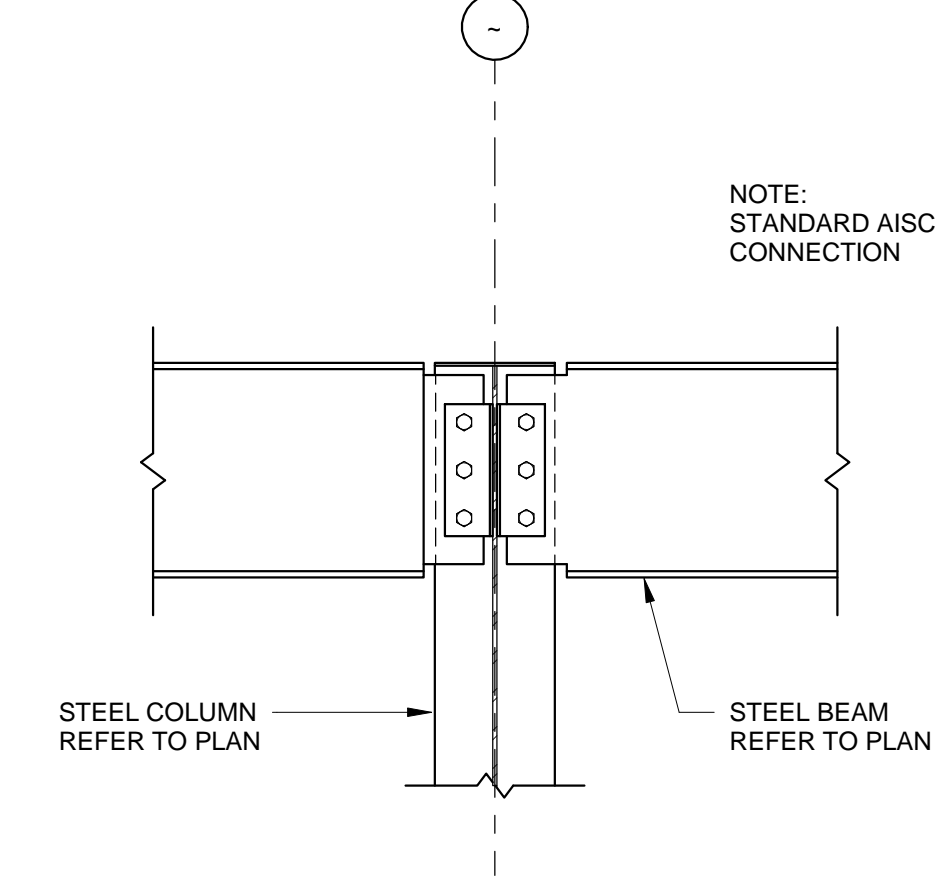
11 DETAIL

N.T.S. BEAM TO COLUMN CONNECTION AT ROOF



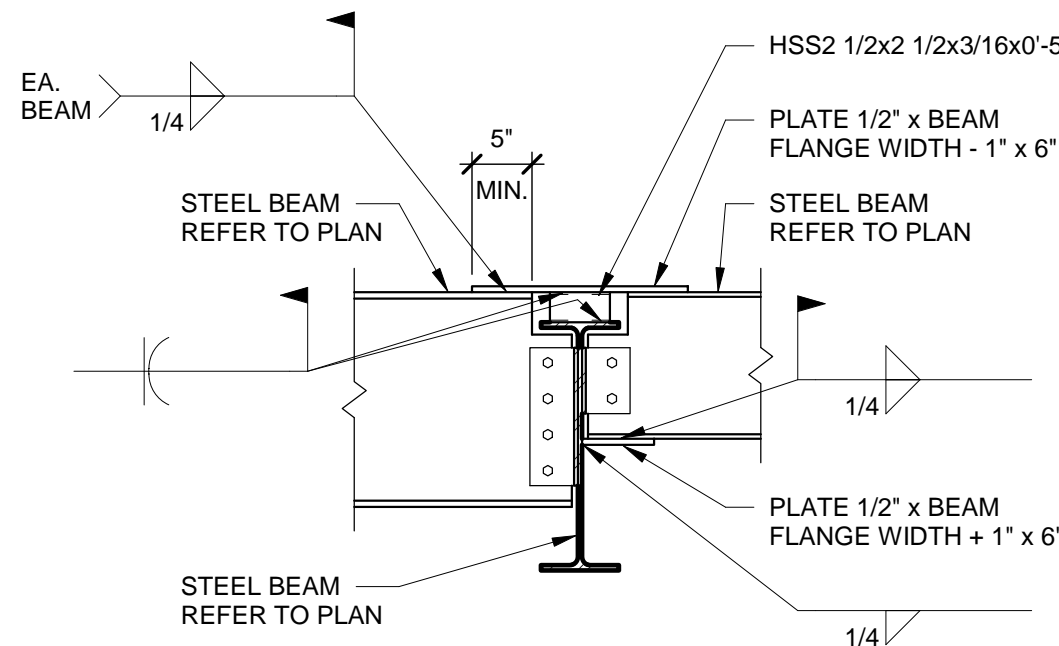
12 DETAIL

3/4" = 1'-0" BEAM TO WIDE FLANGE COLUMN CONNECTION



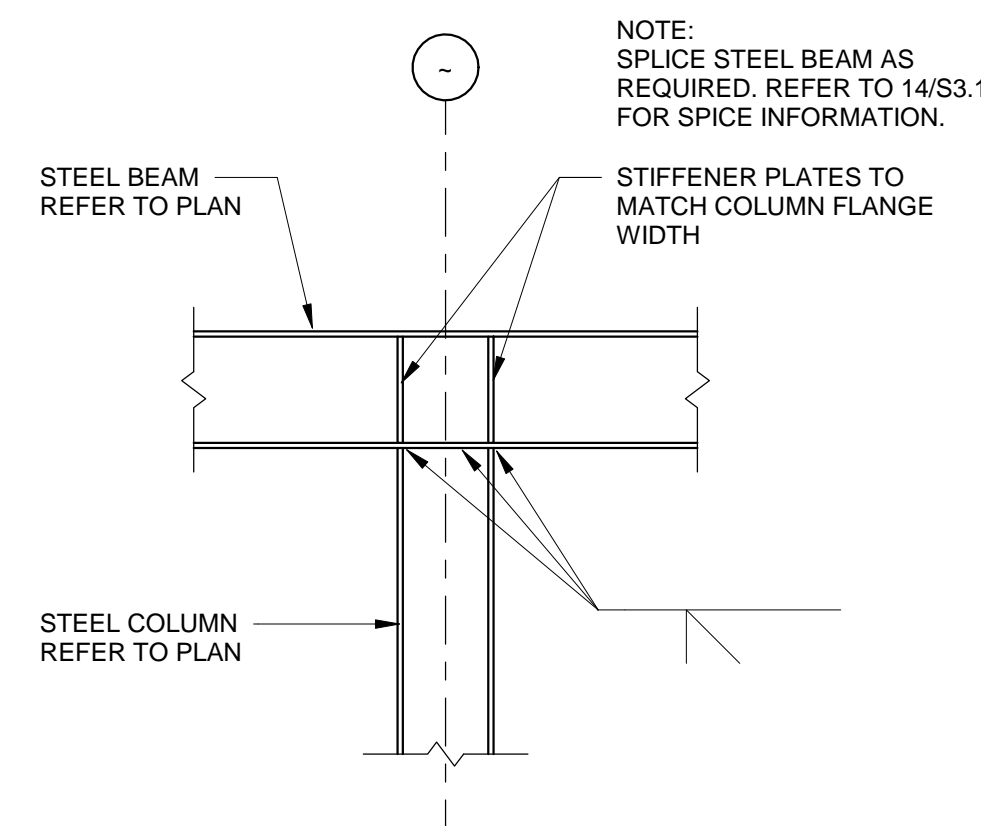
13 DETAIL

3/4" = 1'-0" BEAM TO WIDE FLANGE COLUMN CONNECTION



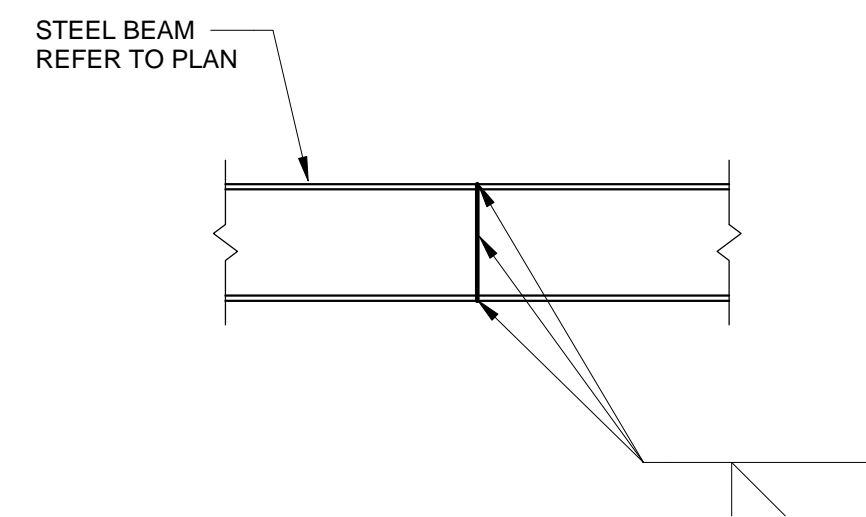
14 DETAIL

3/4" = 1'-0" BEAM TO BEAM MOMENT CONNECTION



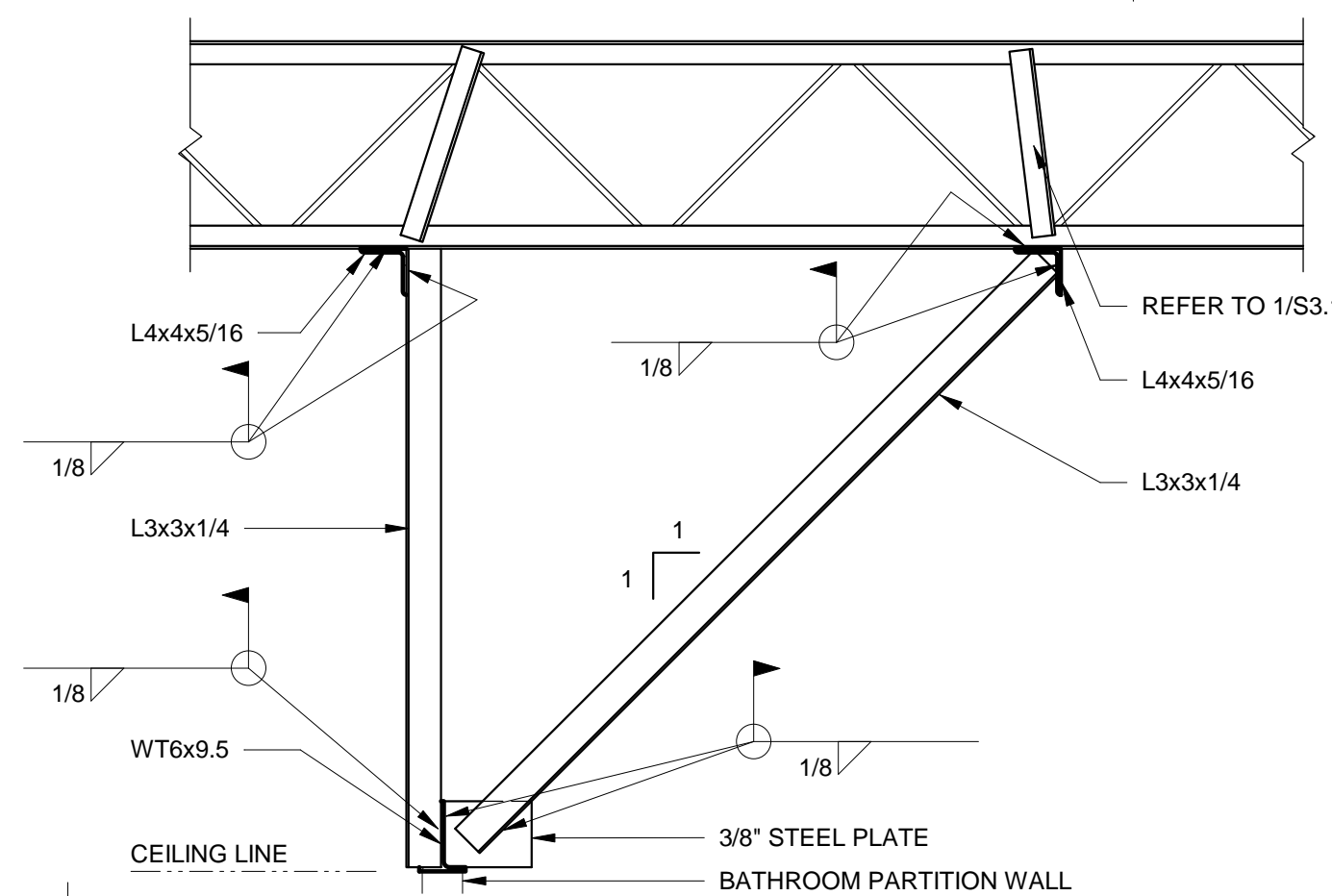
15 DETAIL

3/4" = 1'-0" BEAM TO WIDE FLANGE COLUMN CONNECTION



16 DETAIL

3/4" = 1'-0" BEAM TO WIDE FLANGE COLUMN CONNECTION



17 DETAIL

3/4" = 1'-0" BATHROOM PARTITION TO STEEL JOIST CONNECTION

Revision Schedule		
Rev. #	Revision Description	Revision Date

FWN&A
 Frank W. Neal & Assoc., Inc.
 1016 W. Broadway Ave.
 Fort Worth, TX 76104
 Texas firm reg. no. F-00296
 817-332-1944
 fwna-eng.com

TEXAS GUN EXPERIENCE
 GRAPEVINE, TX

217.130.03
 DECEMBER 1, 2017

FRAMING DETAILS AND SECTIONS

S3.1