

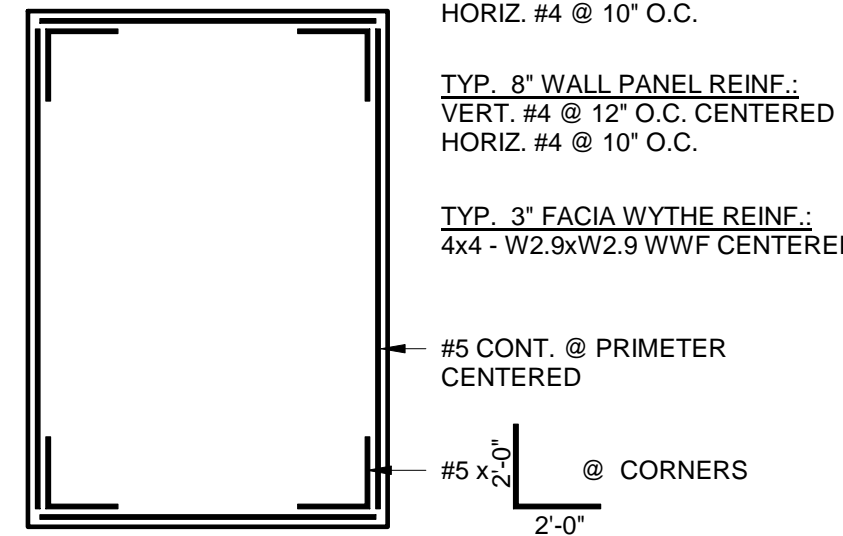
NOTE:
REFER TO 3/S1.5 FOR
PLACEMENT OF
REINFORCEMENT

2- #5 ALL SIDES
1 EA. FACE

#5 x 3'-0" DIAG.
CORNERS CENTERED

1 DETAIL

3/4" = 1'-0" PANEL REINFORCEMENT AT OPENING



TYP. 7" WALL PANEL REINF.:
(STRUCTURAL WYTHE)
VERT. #4 @ 12" O.C. CENTERED
HORIZ. #4 @ 10" O.C.

TYP. 8" WALL PANEL REINF.:
VERT. #4 @ 12" O.C. CENTERED
HORIZ. #4 @ 10" O.C.

TYP. 3" FACIA WYTHE REINF.:
4x4 - W2.9xW2.9 WWF CENTERED

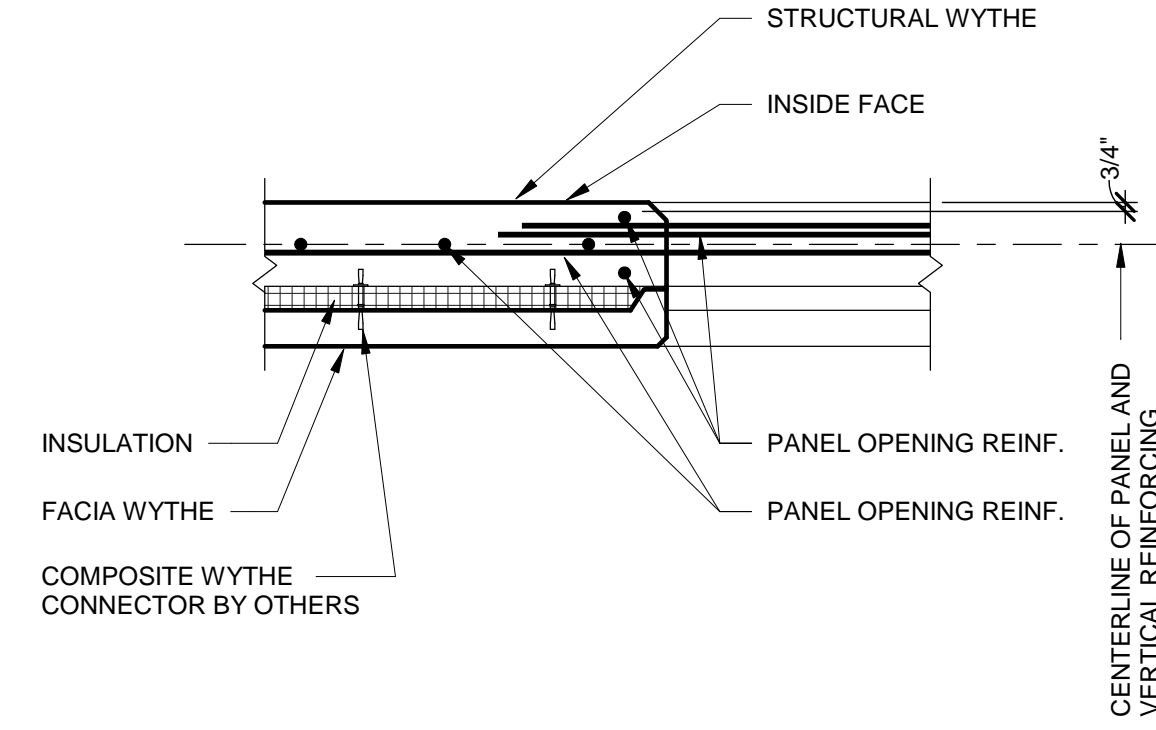
#5 CONT. @ PERIMETER
CENTERED

#5 x 2'-0" @ CORNERS

NOTE:
1. OTHERS SHALL PROVIDE REINFORCEMENT
REQUIRED FOR LIFTING PANELS.
2. REFER TO 3/S1.5 FOR PLACEMENT OF
REINFORCEMENT.

2 DETAIL

3/4" = 1'-0" PANEL REINFORCEMENT



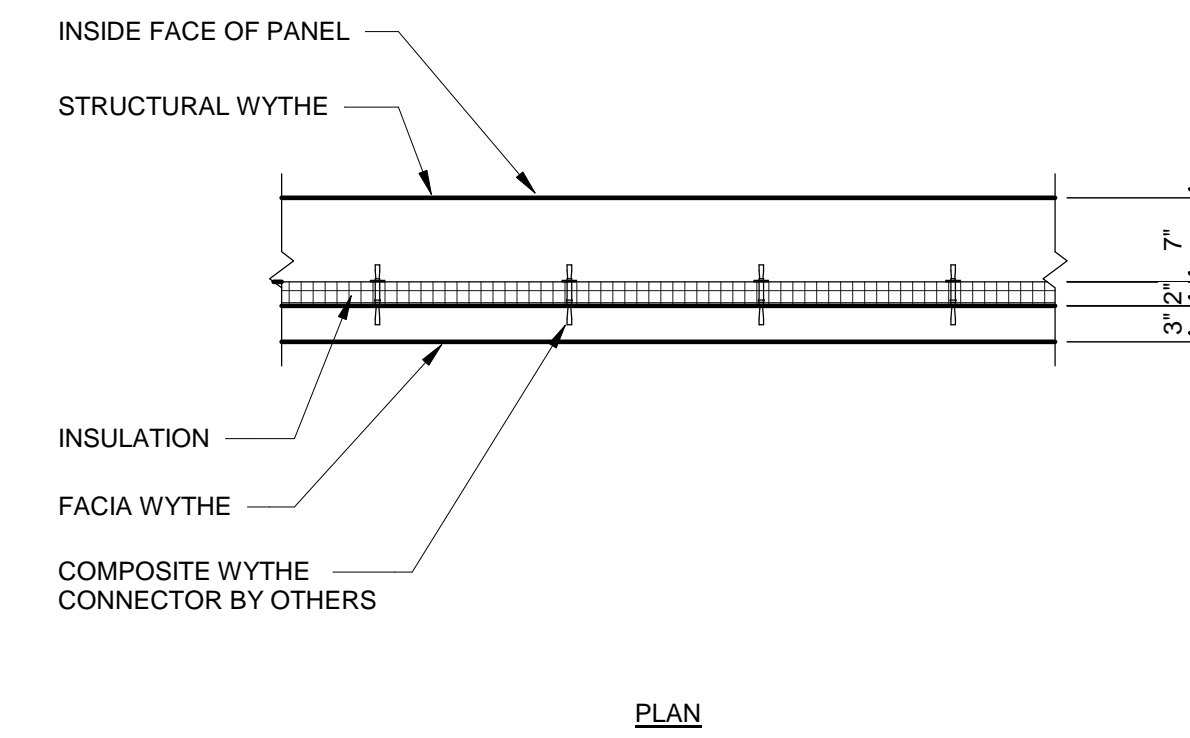
INSULATION

FACIA WYTHE

COMPOSITE WYTHE
CONNECTOR BY OTHERS

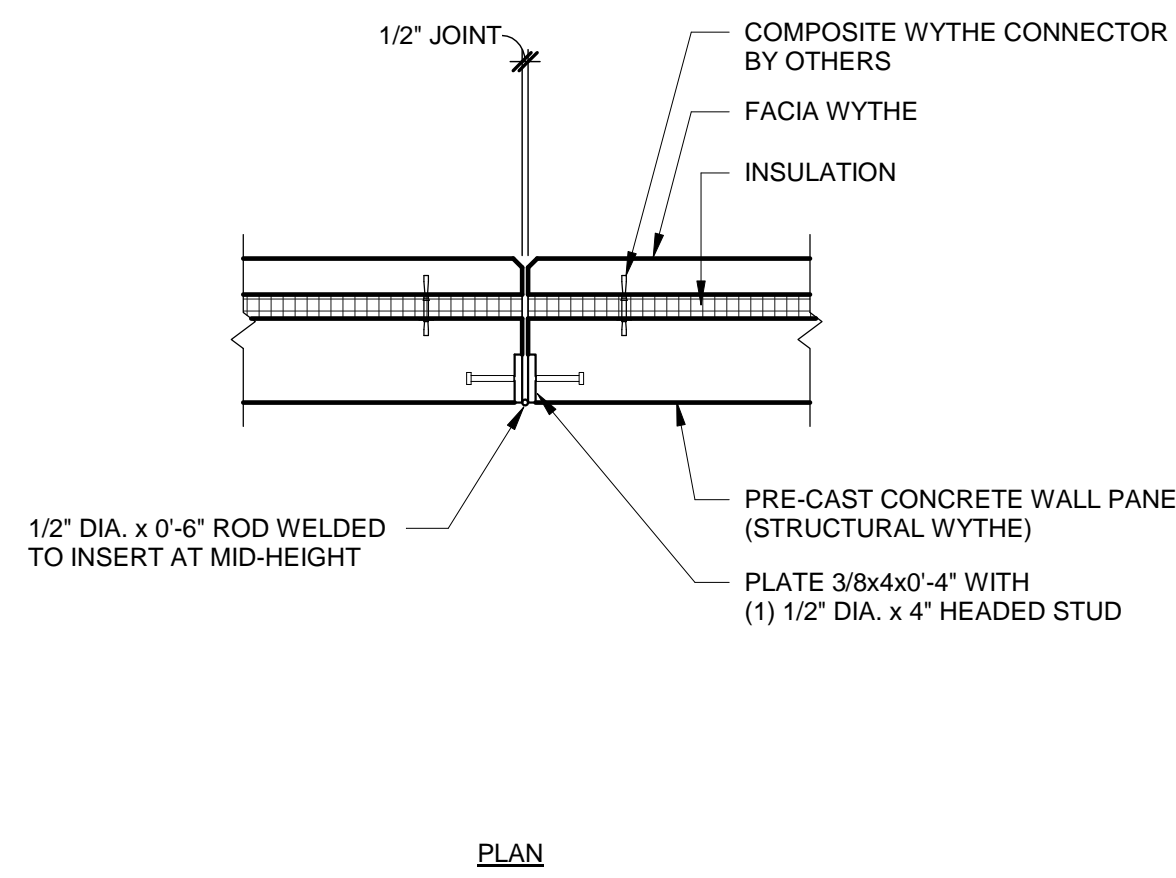
3 DETAIL

3/4" = 1'-0" PANEL REINFORCEMENT AT INSULATED WALL PANEL



4 DETAIL

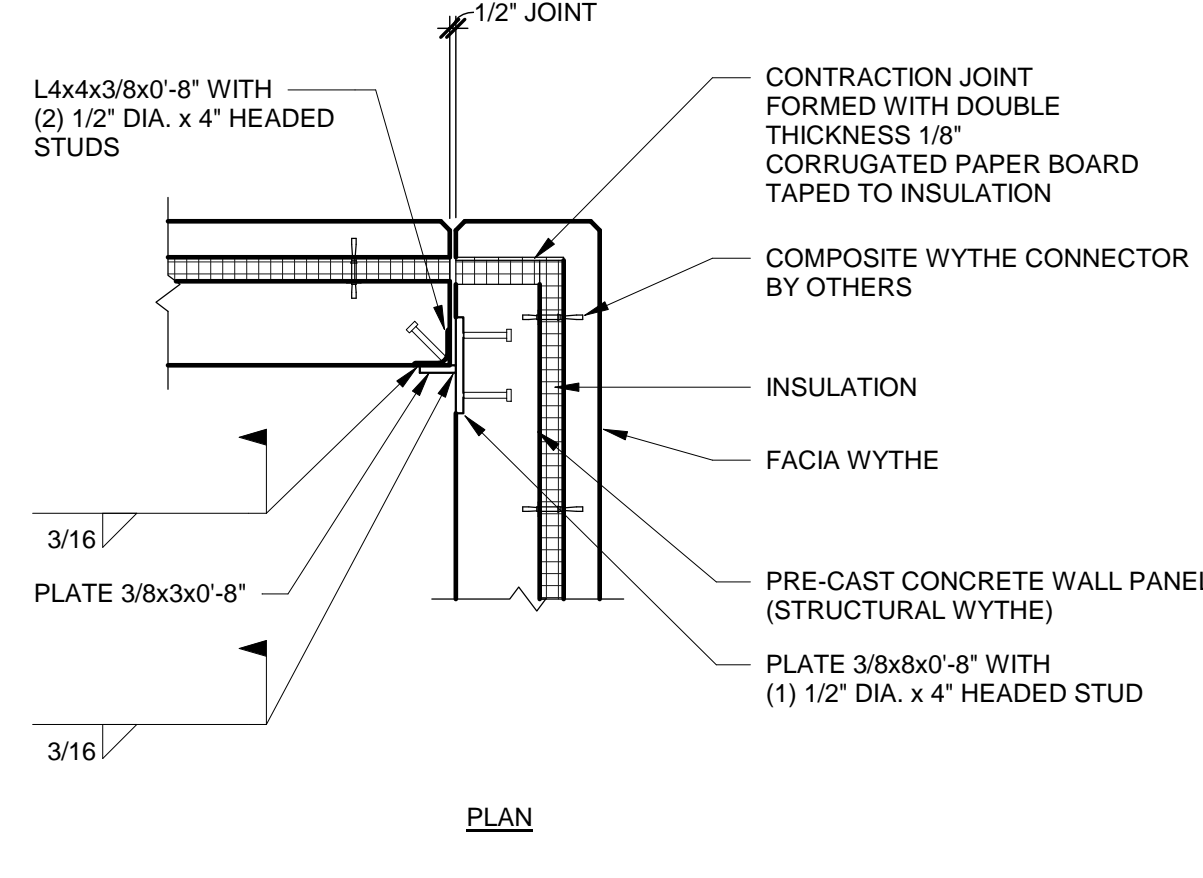
3/4" = 1'-0" CONCRETE INSULATED WALL PANEL



PLAN

5 DETAIL

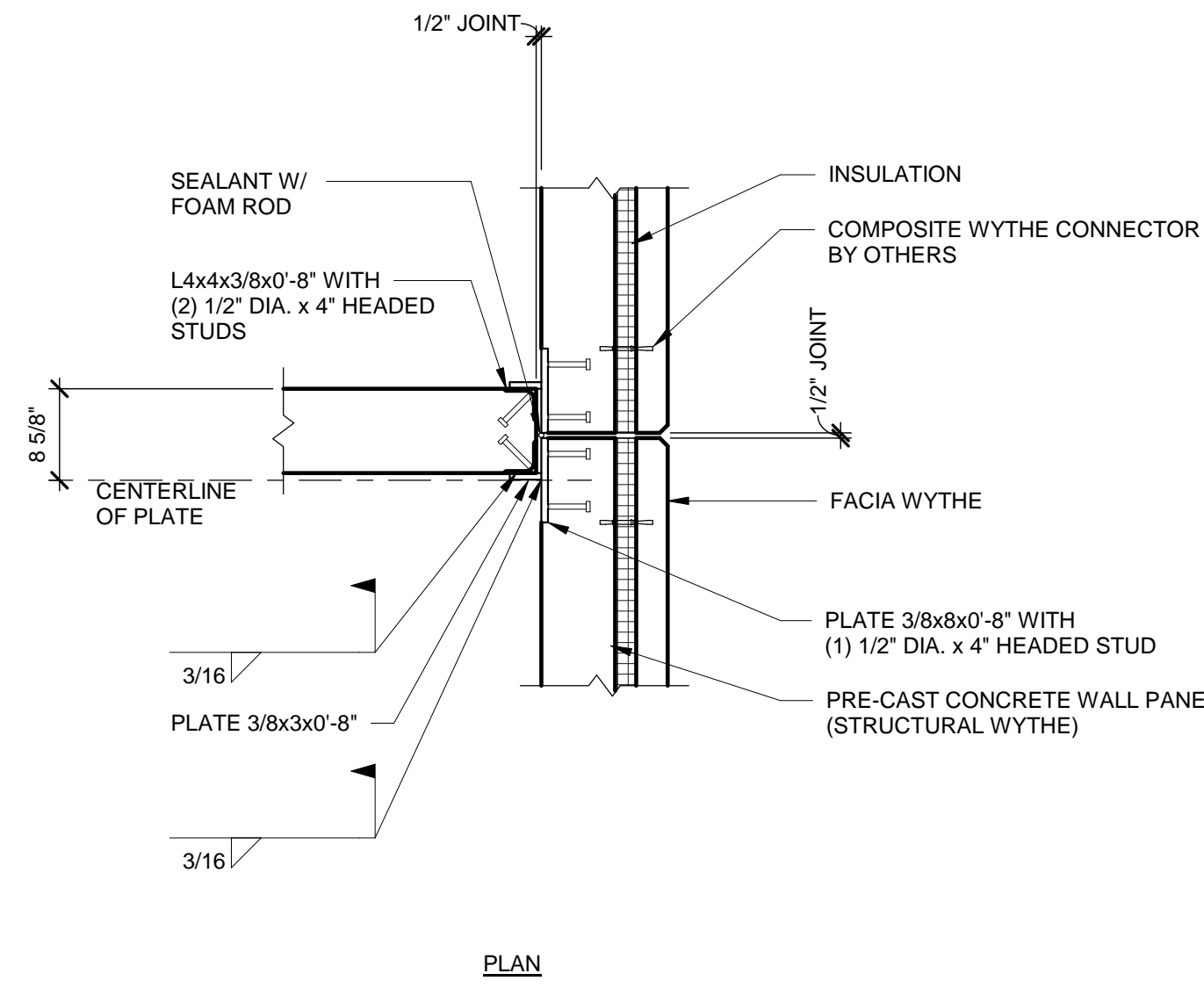
3/4" = 1'-0" PANEL TO PANEL AT MID-HEIGHT-CONCRETE INSULATED PANELS



PLAN

6 DETAIL

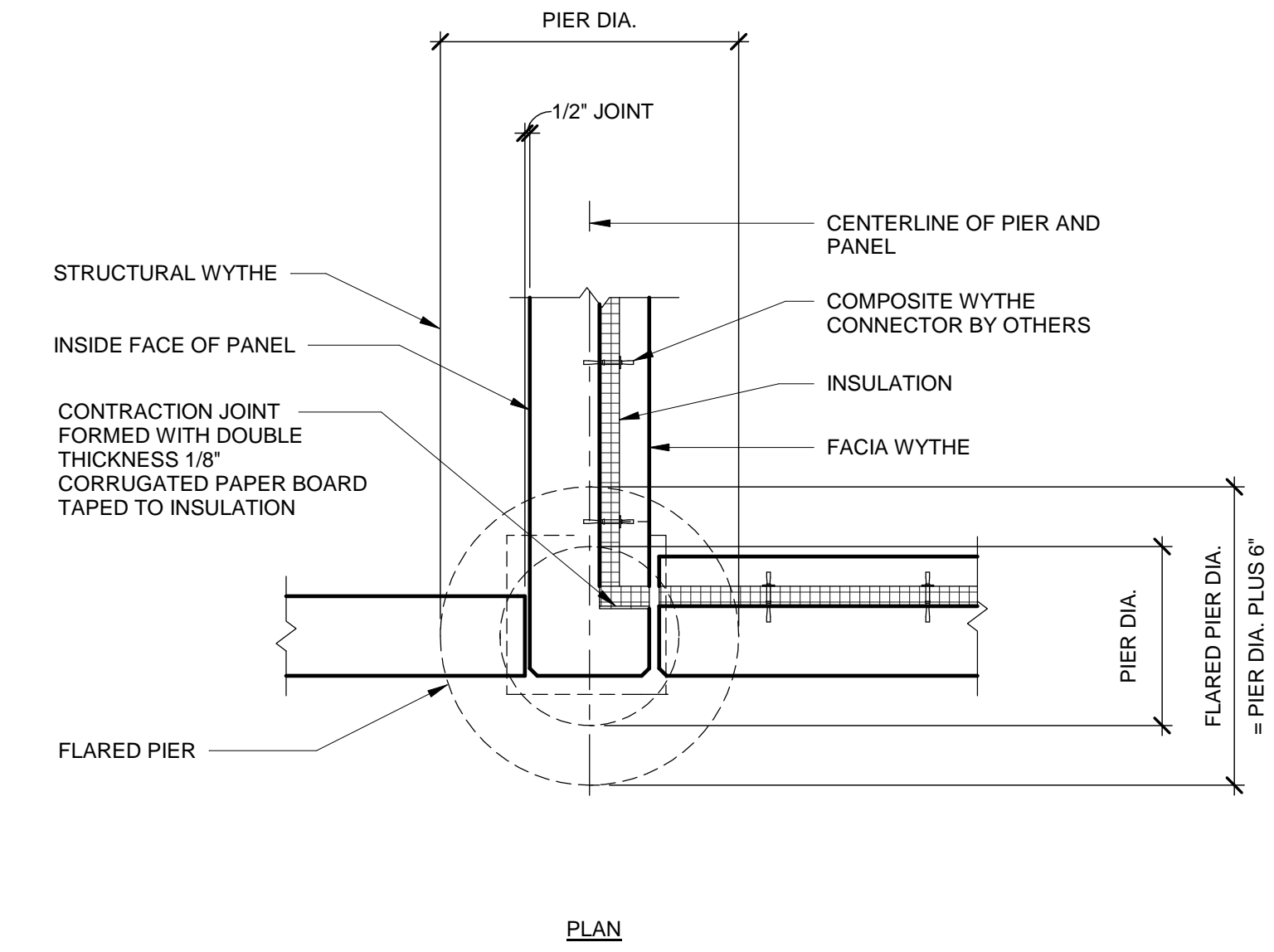
3/4" = 1'-0" PANEL TO PANEL CONNECTION AT MID-HEIGHT AND 6" BELOW TOP OF METAL DECK-CONCRETE INSULATED PANELS



PLAN

7 DETAIL

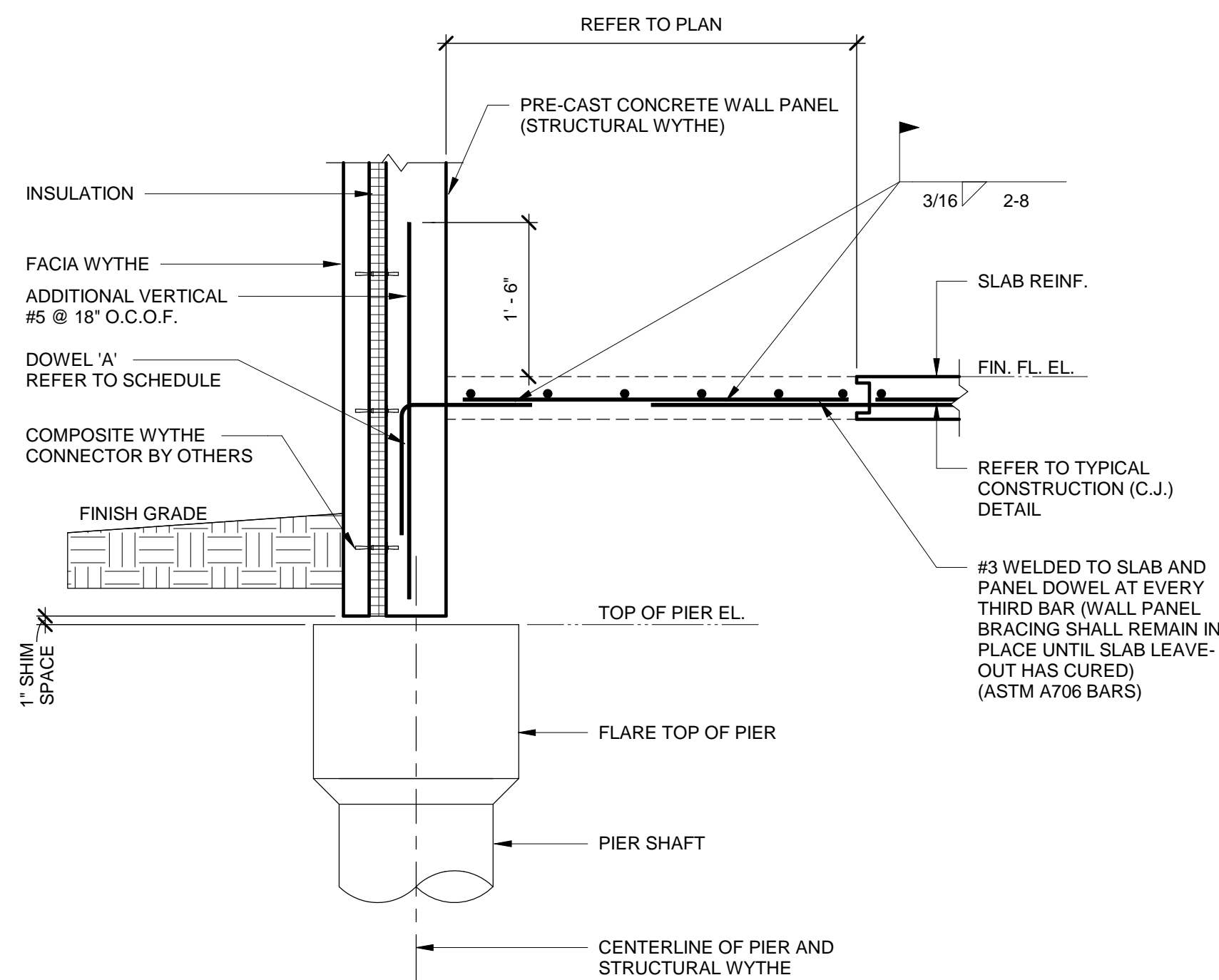
3/4" = 1'-0" PANEL TO PANEL CONNECTION AT MID-HEIGHT-CONCRETE INSULATED PANELS (3 PANELS) CENTERED



PLAN

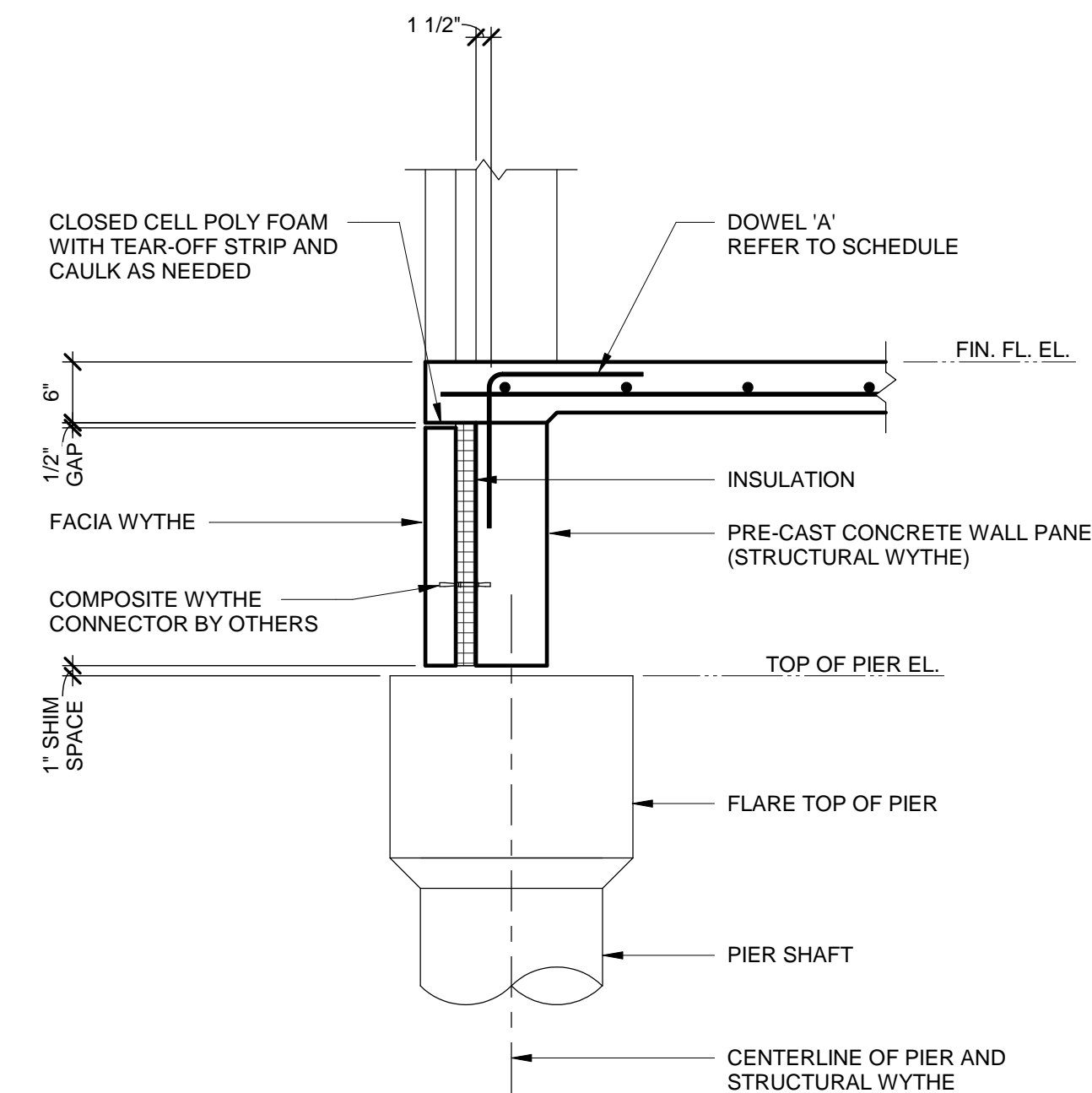
8 DETAIL

3/4" = 1'-0" WALL PANEL TO PIER-FIXED CONNECTION (F.C.) (CONCRETE INSULATED WALL PANEL)



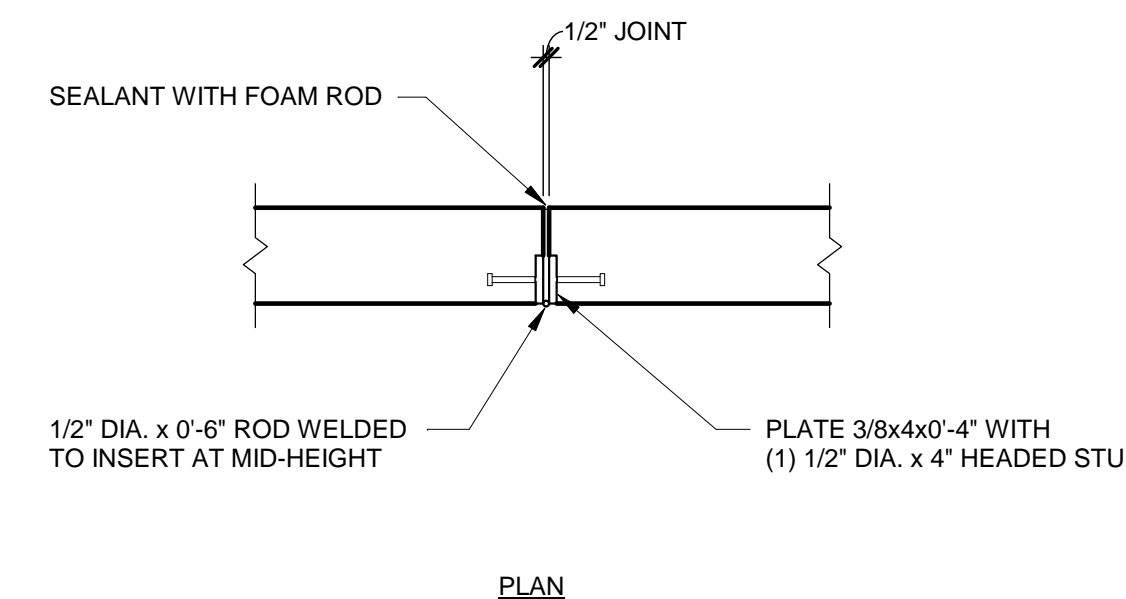
9 DETAIL

3/4" = 1'-0" SLAB LEAVE-OUT AT CONCRETE INSULATED WALL PANEL



10 DETAIL

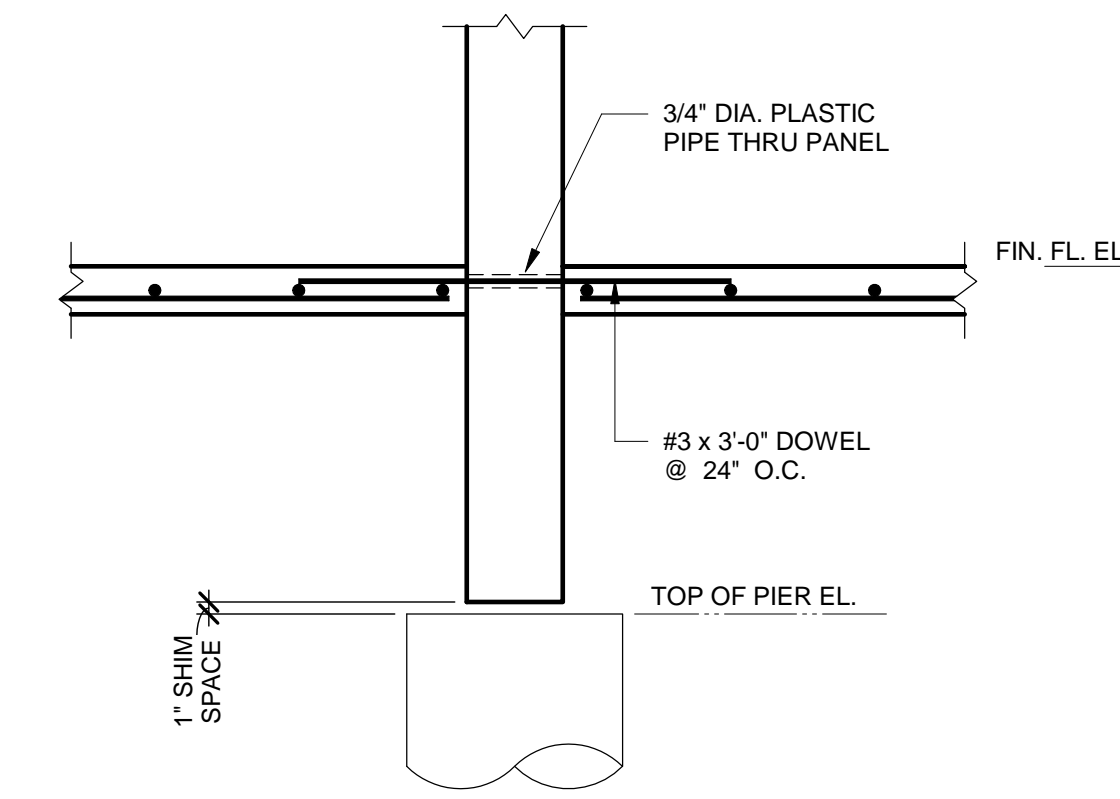
3/4" = 1'-0" SLAB OVER CONCRETE INSULATED WALL PANEL (DOOR THRESHOLD)



PLAN

11 DETAIL

3/4" = 1'-0" PANEL TO PANEL CONNECTION AT MID-HEIGHT - PLAN VIEW



12 DETAIL

3/4" = 1'-0" WALL PANEL TO SLAB CONNECTION

THIS DOCUMENT IS RELEASED ON 12-1-17 FOR THE PURPOSE OF BIDDING ONLY UNDER THE AUTHORITY OF BRYAN WADE GREEN, P.E. 74453. IT IS NOT TO BE USED FOR CONSTRUCTION OR FABRICATION PURPOSES.

Revision Schedule		
Rev. #	Revision Description	Revision Date

FWN&A
Frank W. Neal & Assoc., Inc.
1016 W. Broadway Ave. 817-332-1944
Fort Worth, TX 76104 fwna-eng.com
Texas firm reg. no. F-000296

TEXAS GUN
EXPERIENCE
GRAPEVINE, TX

217.130.03
DECEMBER 1, 2017

WALL PANELS

S1.5