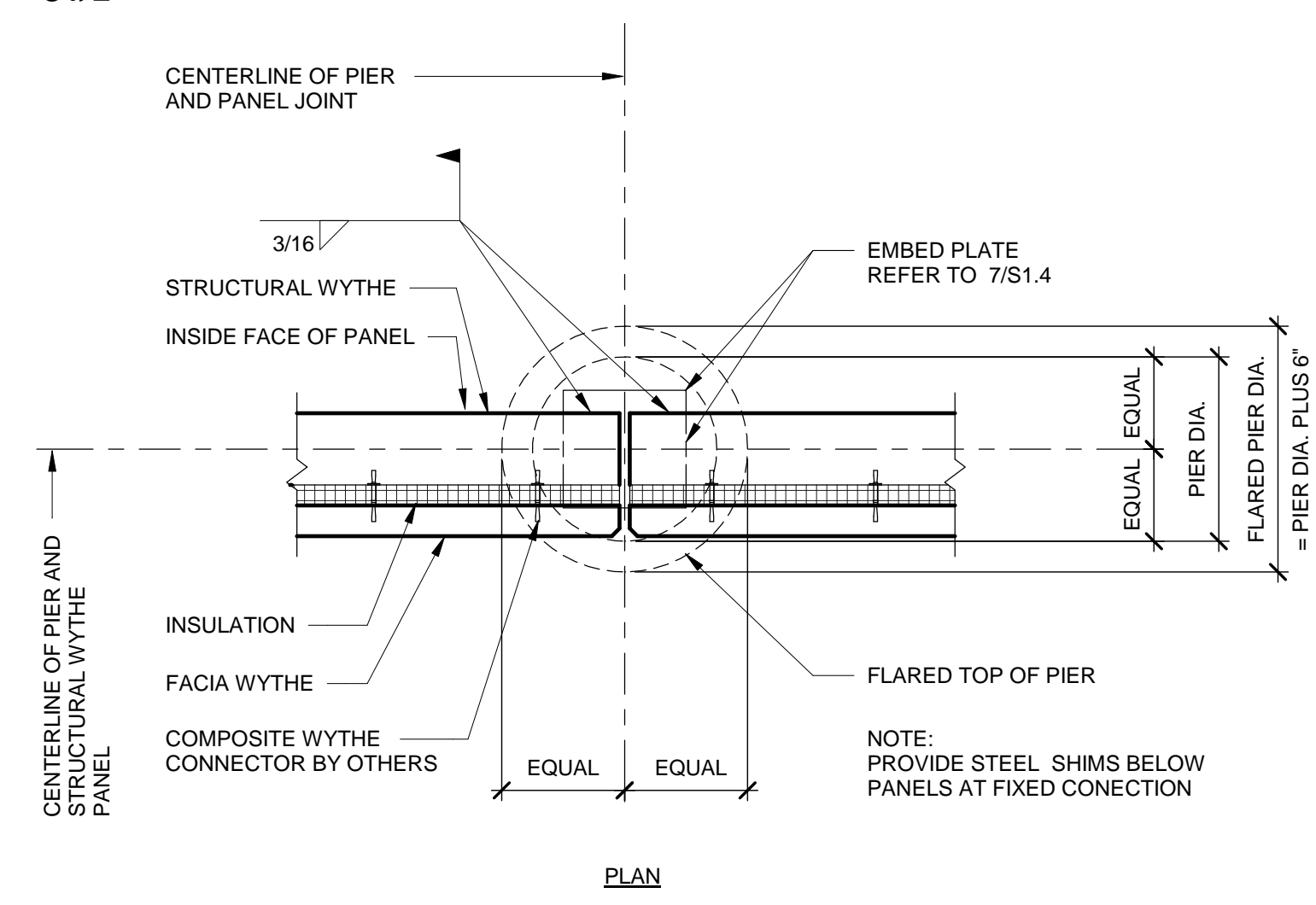
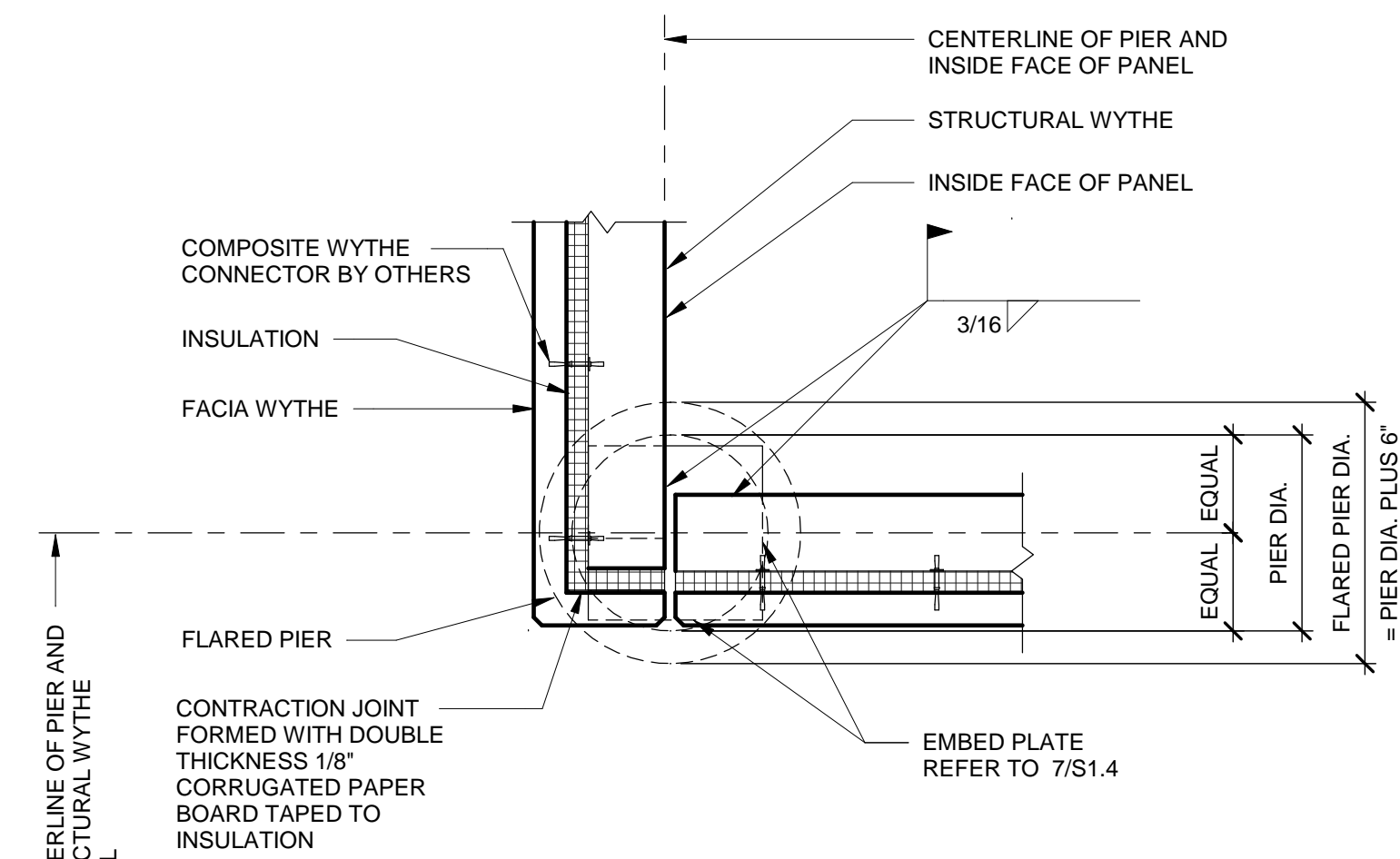
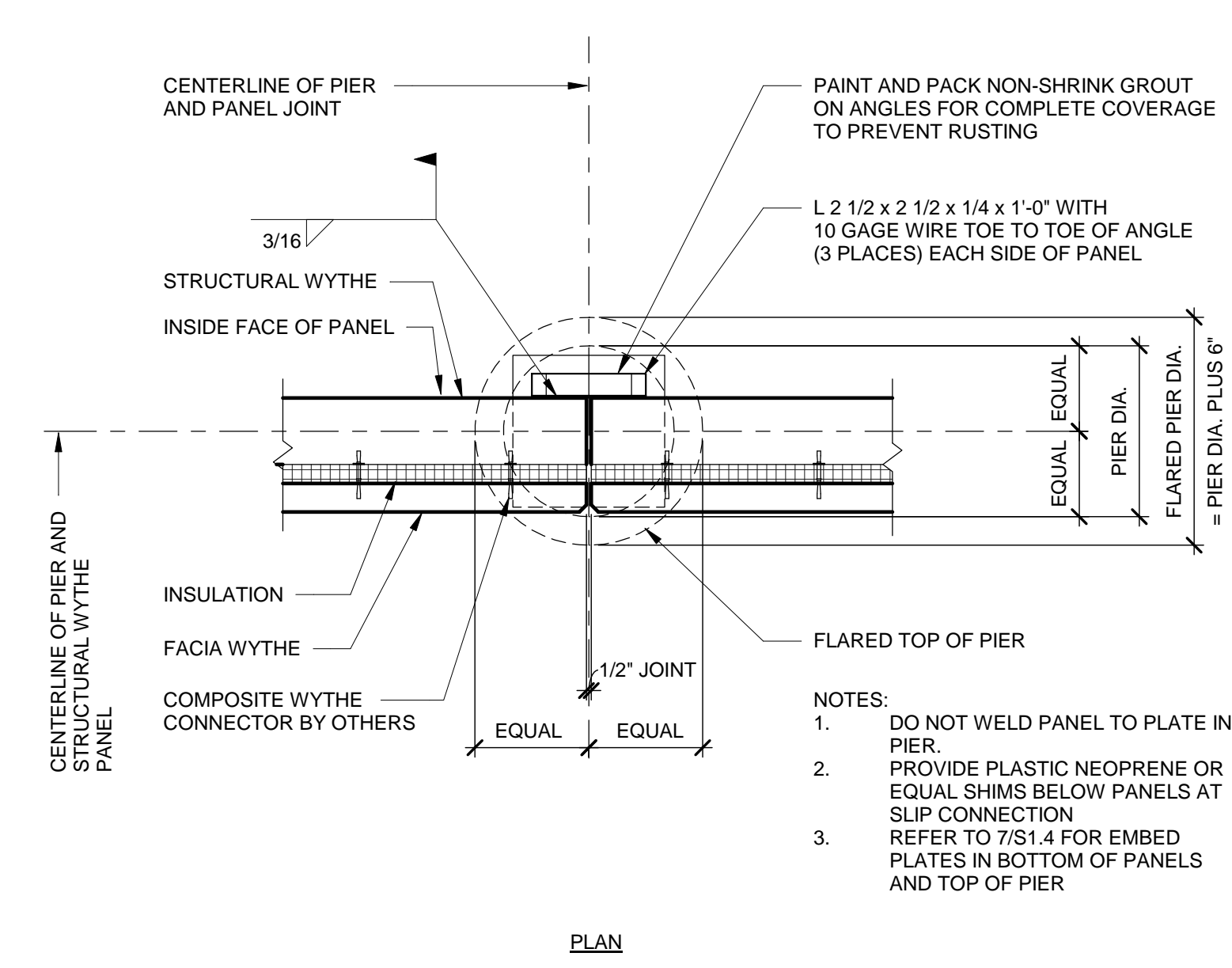


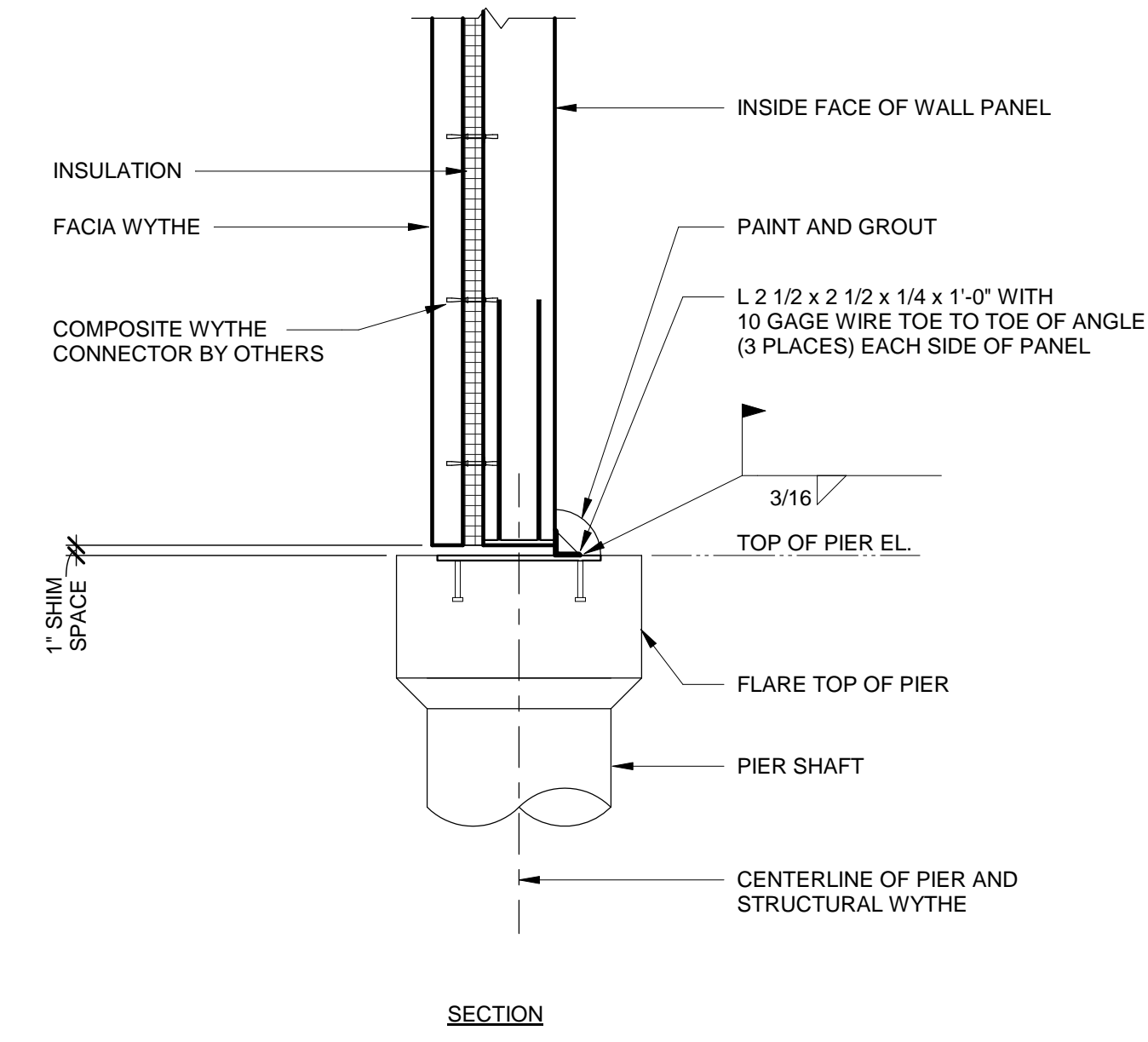
THIS DOCUMENT IS RELEASED ON 12-1-17 FOR THE PURPOSE OF BIDDING ONLY UNDER THE AUTHORITY OF BRYAN WADE GREEN, P.E. 74453. IT IS NOT TO BE USED FOR CONSTRUCTION OR FABRICATION PURPOSES.



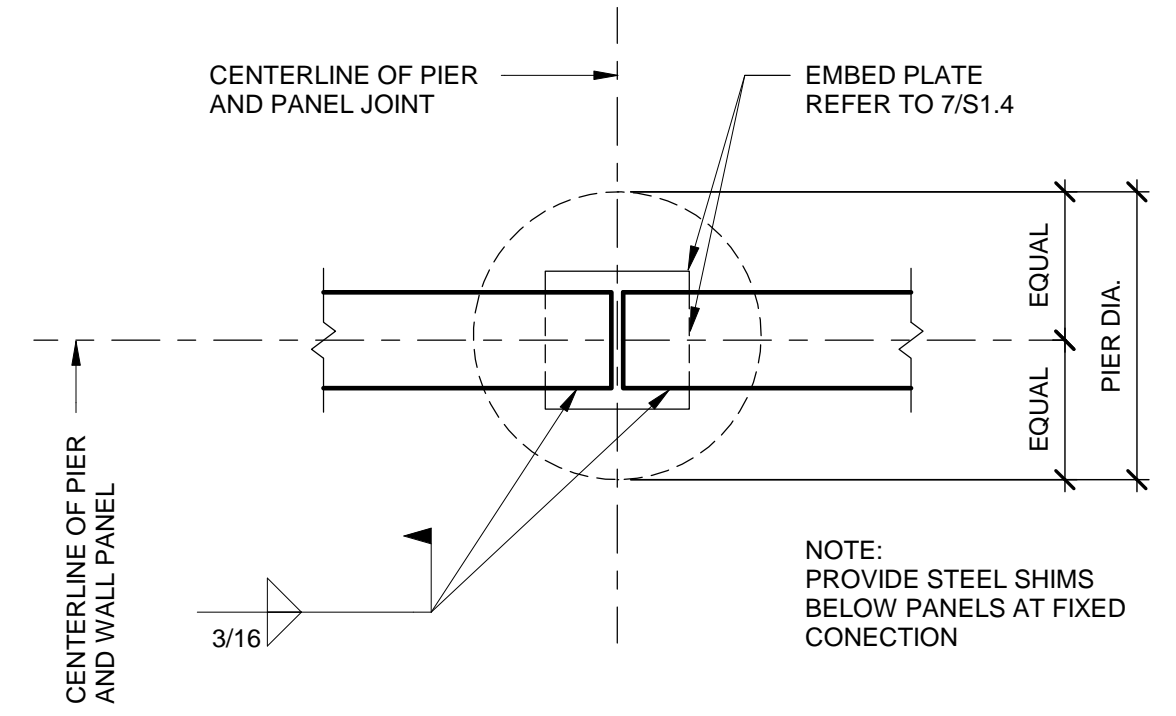
1 DETAIL
3/4" = 1'-0" WALL PANEL TO PIER-FIXED CONNECTION (F.C.) (CONCRETE INSULATED WALL PANEL)



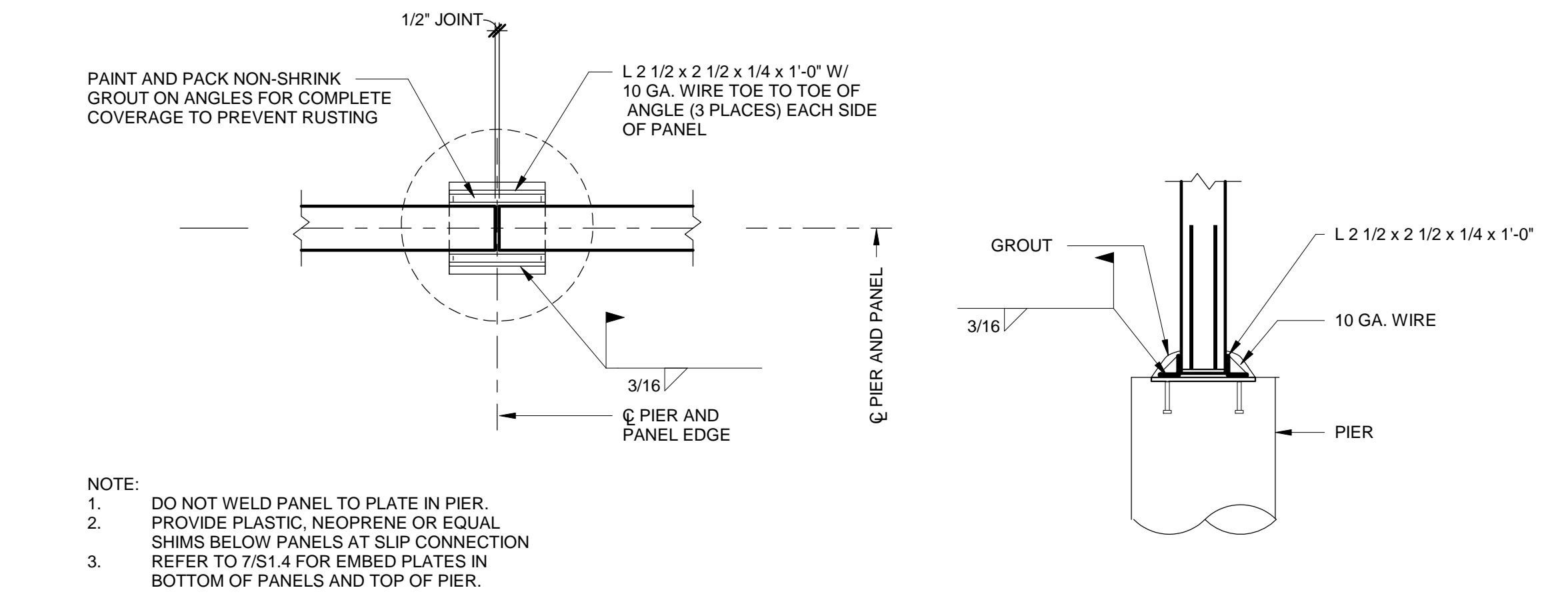
2 DETAIL
3/4" = 1'-0" WALL PANEL TO PIER-SLIP CONNECTION (S.C.) (CONCRETE INSULATED WALL PANEL)



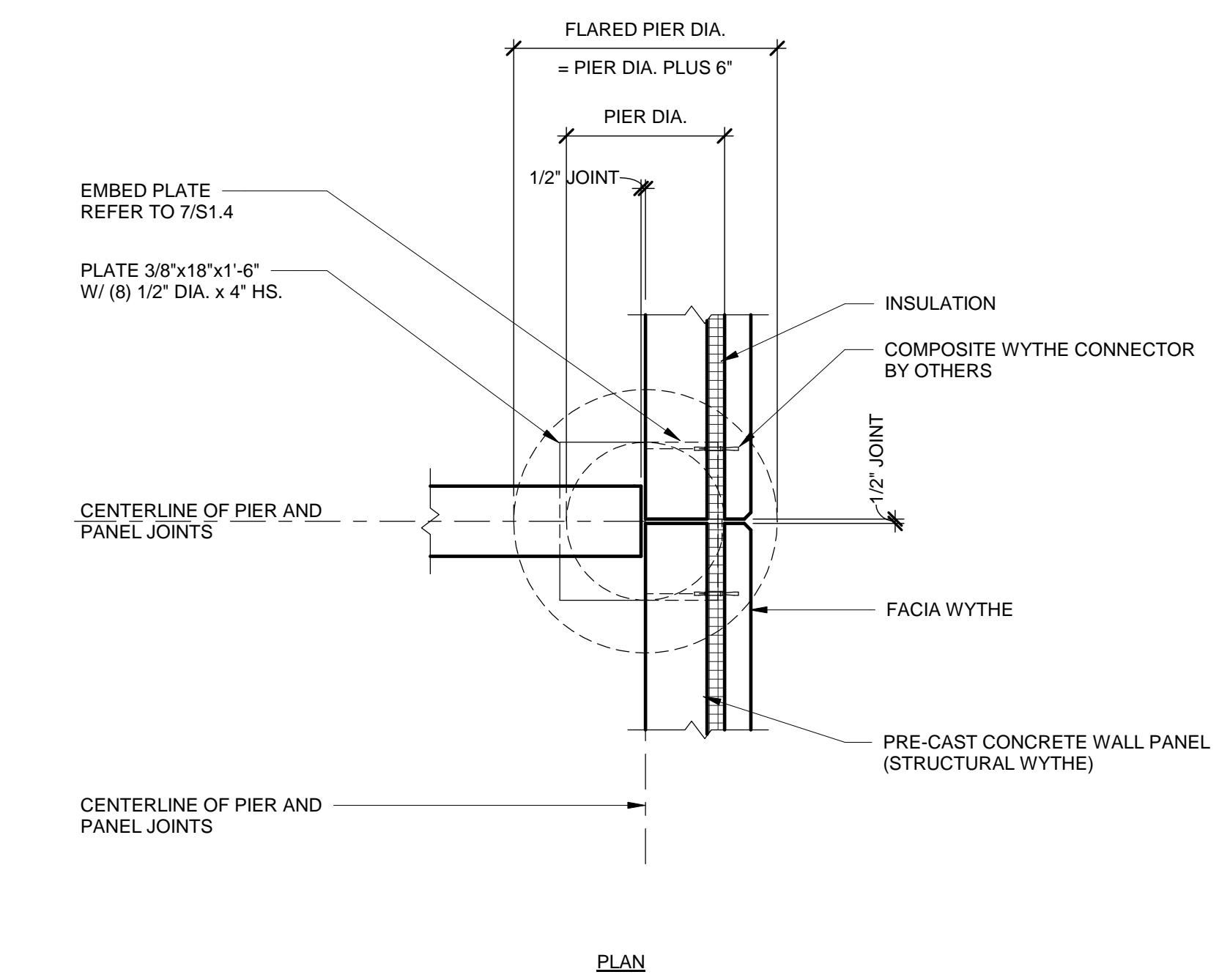
3 DETAIL
3/4" = 1'-0" WALL PANEL TO PIER-SLIP CONNECTION (S.C.)



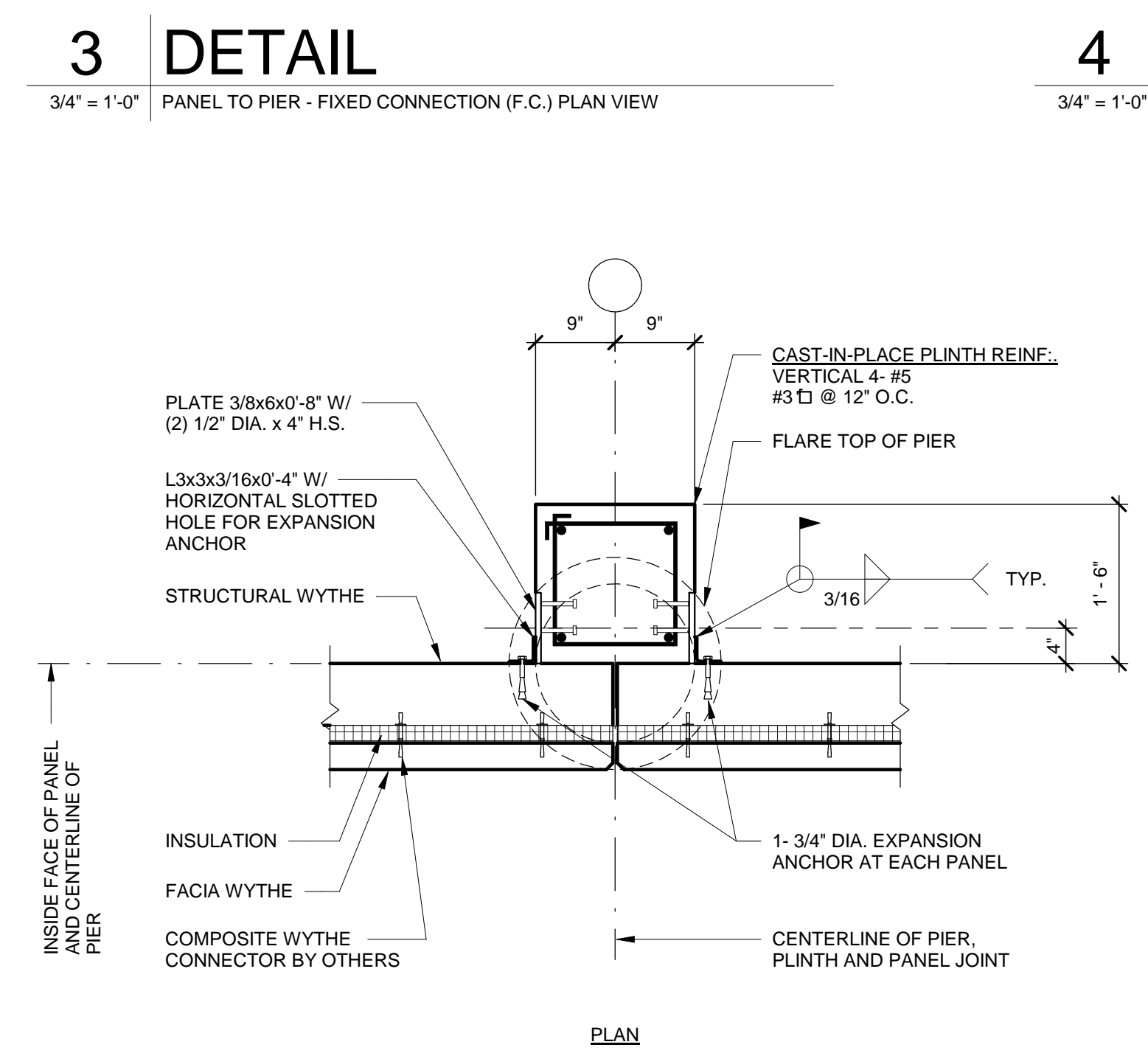
4 DETAIL
3/4" = 1'-0" WALL PANEL TO PIER-SLIP CONNECTION (S.C.)



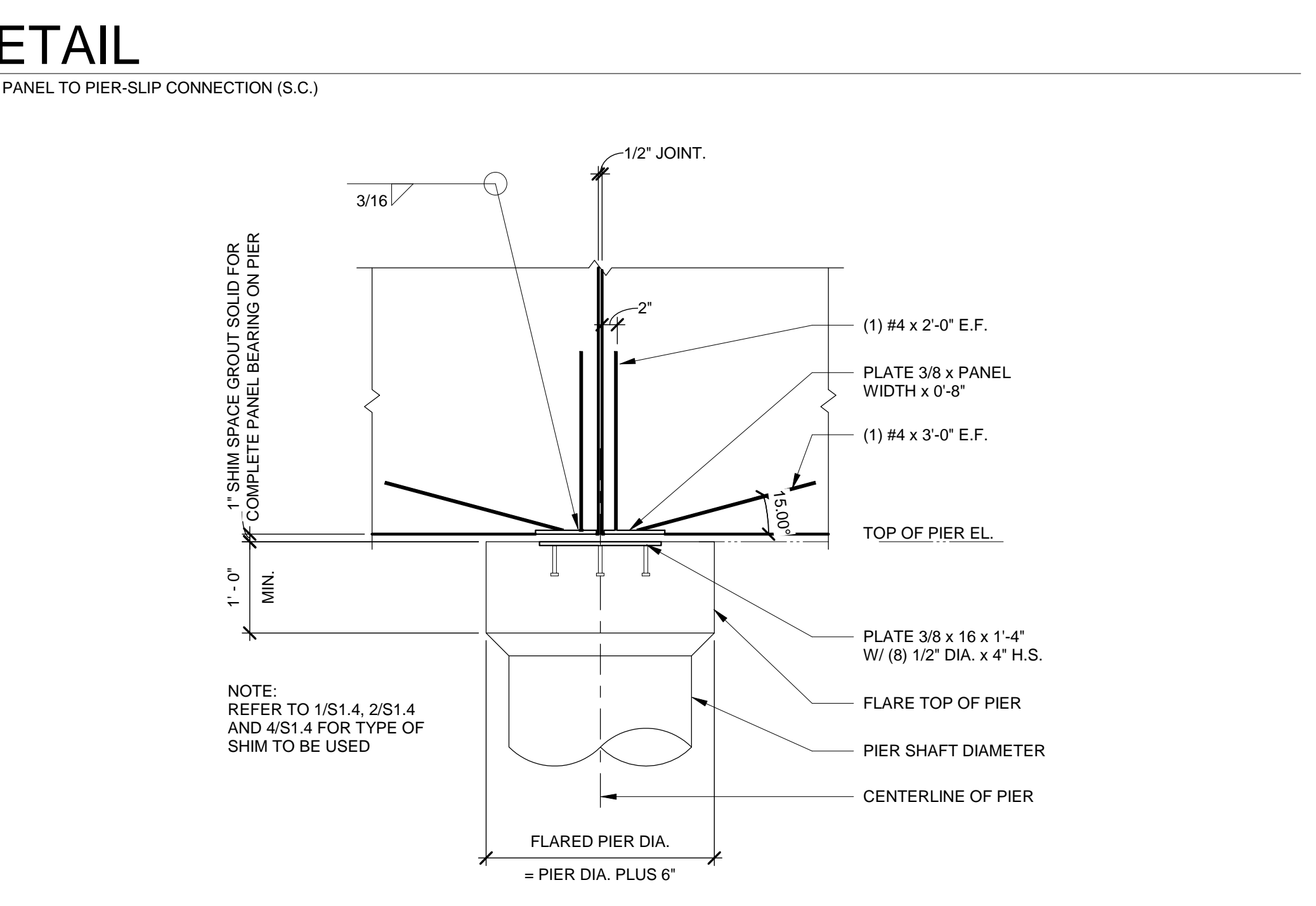
5 DETAIL
3/4" = 1'-0" WALL PANEL TO PIER-SLIP CONNECTION (S.C.) (3 PANELS)



6 DETAIL
3/4" = 1'-0" WALL PANEL TO PIER-SLIP CONNECTION (S.C.) (3 PANELS)



7 DETAIL
3/4" = 1'-0" WALL PANEL TO CAST IN PLACE PLINTH-CONCRETE INSULATED WALL PANEL



8 DETAIL
3/4" = 1'-0" WALL PANEL TO PIER CONNECTION

Revision Schedule		
Rev. #	Revision Description	Revision Date

FWN&A
Frank W. Neal & Assoc., Inc.
1016 W. Broadway Ave. 817-332-1944
Fort Worth, TX 76104 fwna-eng.com
Texas firm reg. no. F-000296

TEXAS GUN EXPERIENCE
GRAPEVINE, TX

217.130.03
DECEMBER 1, 2017

FOUNDATION DETAILS AND SECTIONS - WALL PANELS

S1.4