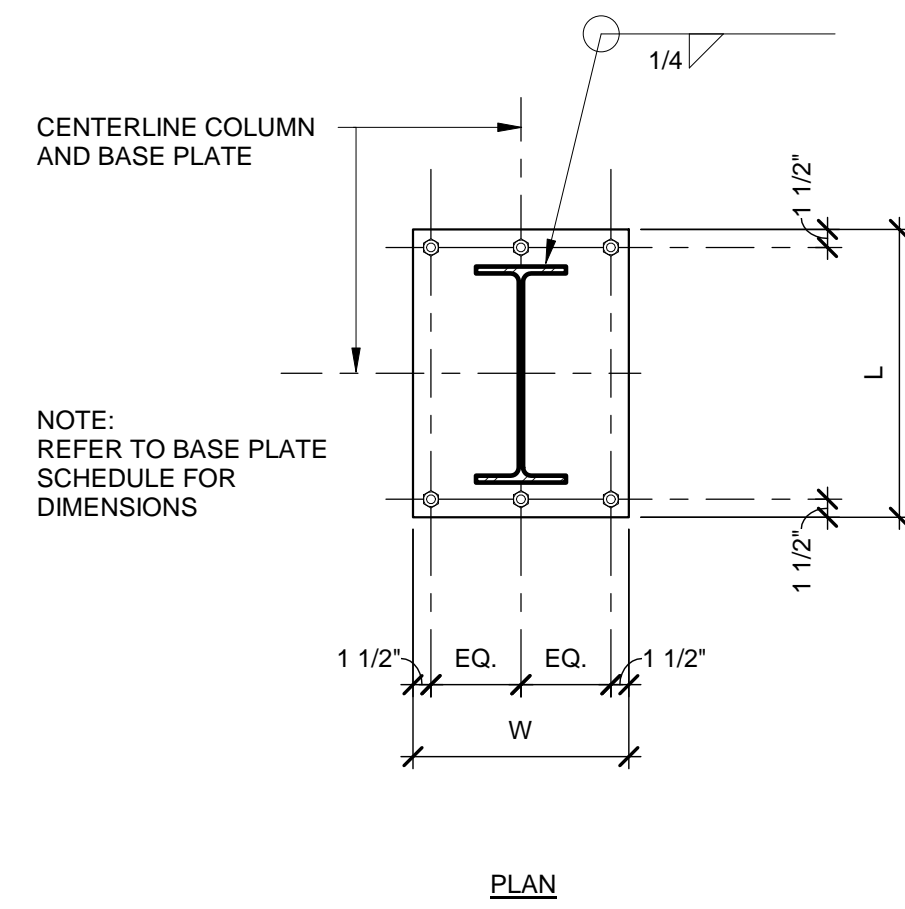


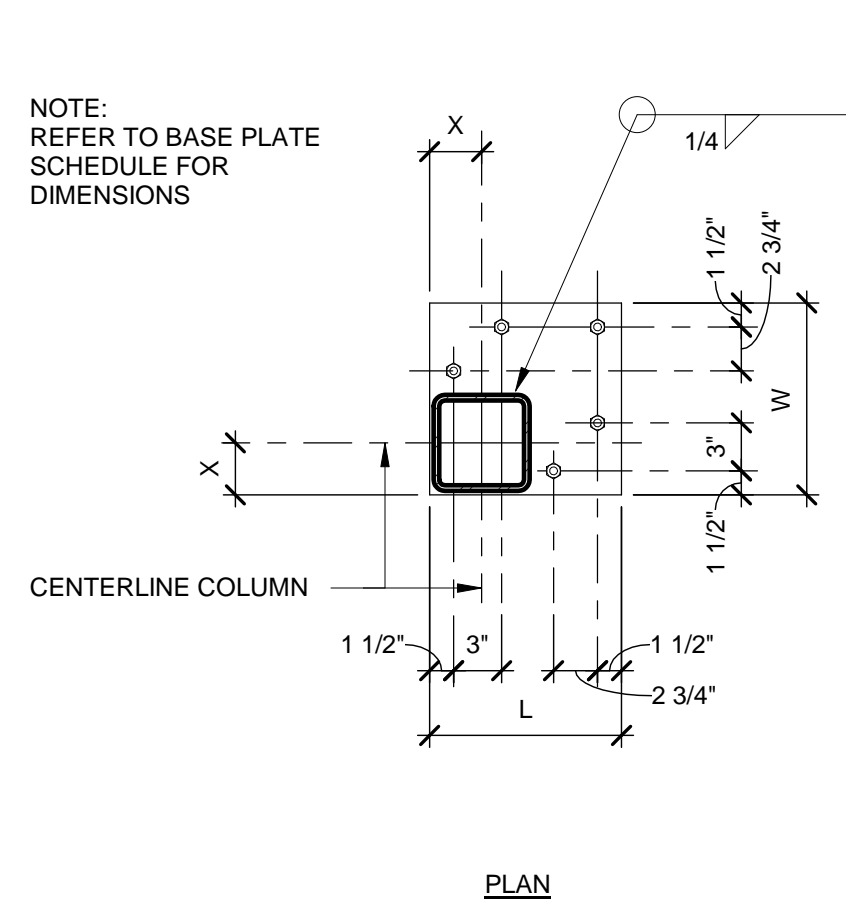
1 DETAIL

1" = 1'-0" BASE PLATE - BP-1



2 DETAIL

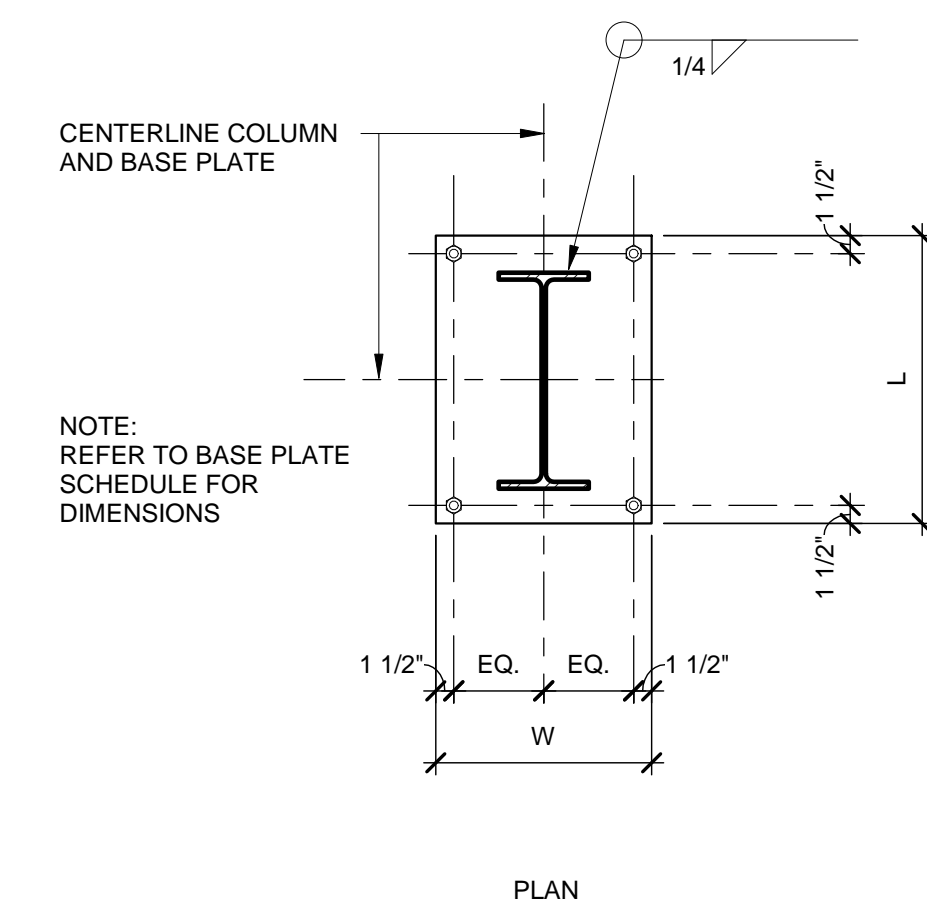
3/4" = 1'-0" BASE PLATE - BP-2



3 DETAIL

1" = 1'-0" BASE PLATE - BP-3

- NOTE: ANCHOR ROD TORQUE SEQUENCE
1. PLACE LEVELING NUTS TO PROPER ELEVATION. USE BEVEL WASHERS IF ANGLE BETWEEN BASE PLATE AND NUT EXCEEDS 1:40.
 2. SET BASE PLATE AND INSTALL WASHERS AND TOP NUTS. USE BEVEL WASHERS IF ANGLE BETWEEN BASE PLATE AND NUT EXCEEDS 1:40.
 3. TIGHTEN TOP UNITS TO BETWEEN 20% AND 30% OF PRETENSION FORCE IN A STAR PATTERN.
 4. TIGHTEN LEVELING NUTS TO BETWEEN 20% AND 30% OF PRETENSION FORCE IN A STAR PATTERN.
 5. TORQUE TOP UNITS IN A STAR PATTERN TO FULL PRETENSION FORCE. TIGHTEN NUTS IN TWO COMPLETE CYCLES.
 6. PRETENSION FORCE SHALL BE 8 KIPS.

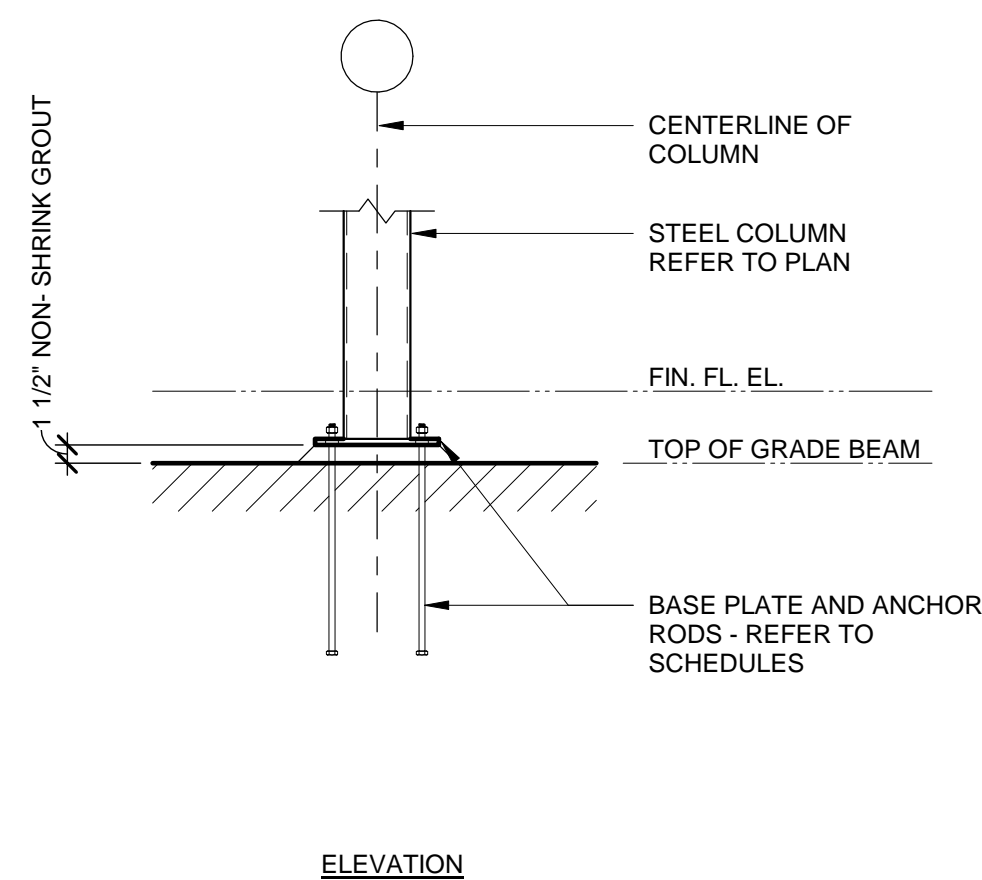
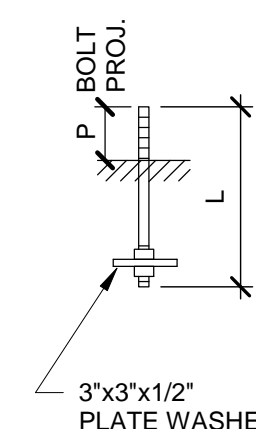


4 DETAIL

3/4" = 1'-0" BASE PLATE - BP-4 ANCHOR ROD TORQUE SEQUENCE

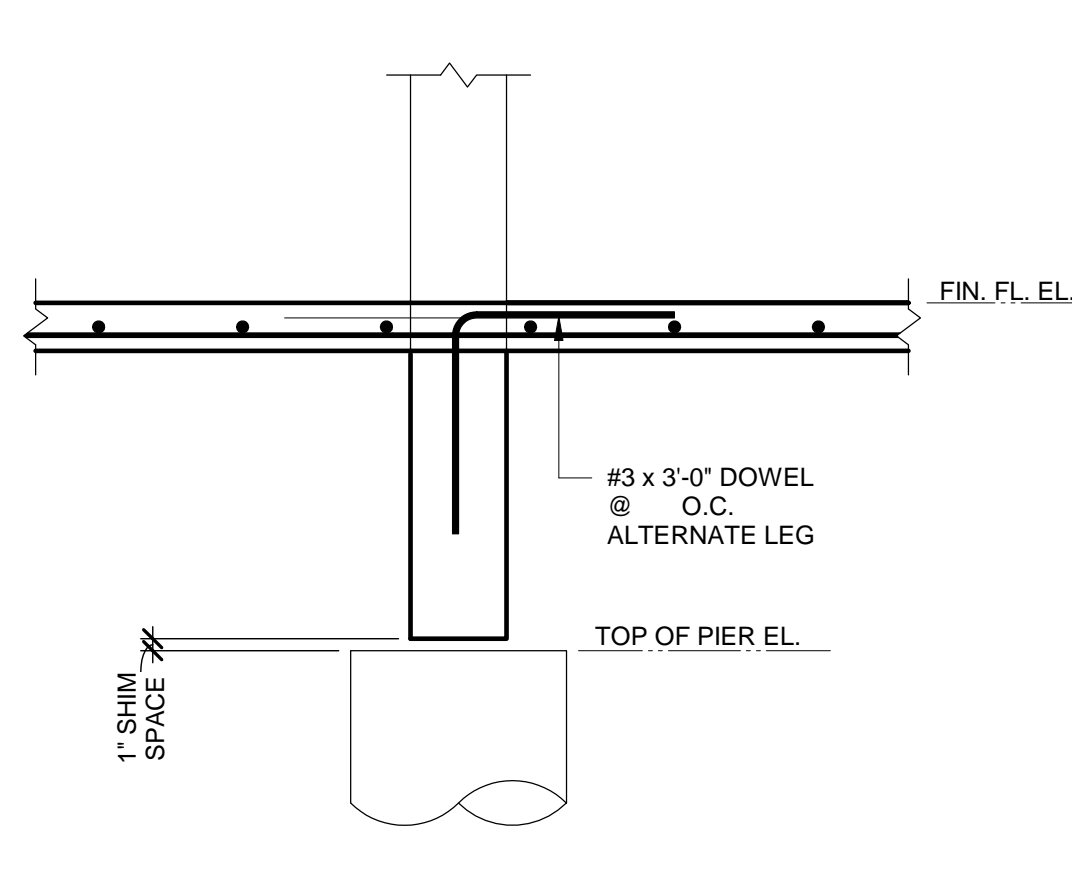
MARK	DIMENSIONS			THICK.	ANCHOR ROD	DETAIL
	L	W	X			
BP-1	11"	11"	----	3/4"	(4) AR1	1/S1.3
BP-2	16"	16"	----	3/4"	(6) AR1	2/S1.3
BP-3	11"	11"	3"	3/4"	(5) AR1	3/S1.3
BP-4	14"	14"	----	3/4"	(4) AR1	4/S1.3
BP-5	14"	14"	----	3/4"	(4) AR1	2/S1.3
BP-6	11"	11"	----	1"	(4) AR2	1/S1.3
BP-7	16"	16"	----	1"	(6) AR2	2/S1.3
BP-8	10"	10"	----	3/4"	(4) AR1	1/S1.3

MARK	DIA.	DIMENSIONS			MATERIAL
		L	H	P	
AR1	3/4"	18"	-	6"	F1554, GR. 36
AR2	3/4"	30"	-	6"	F1554, GR. 36



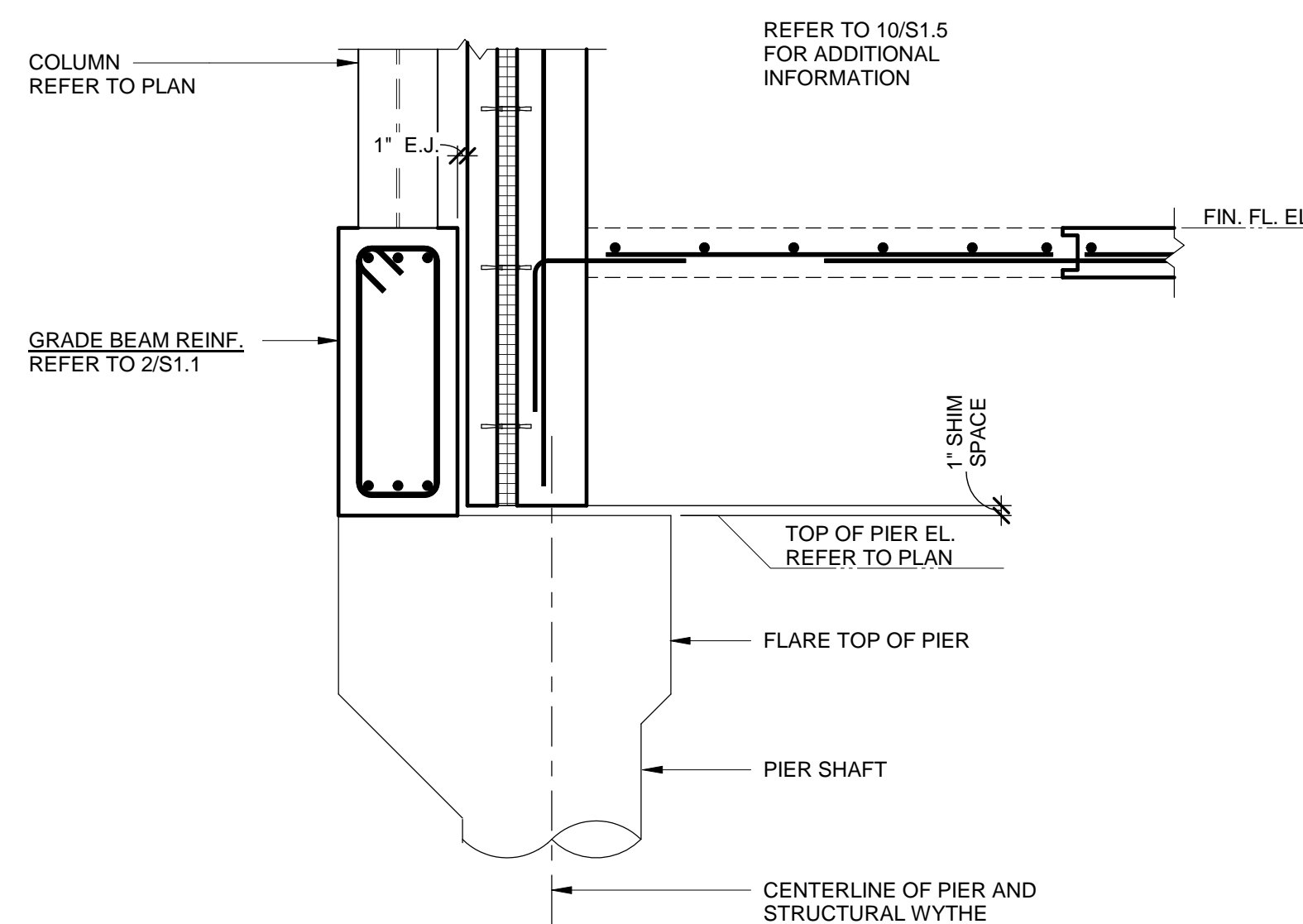
5 DETAIL

3/4" = 1'-0" STEEL COLUMN BEARING ON GRADE BEAM



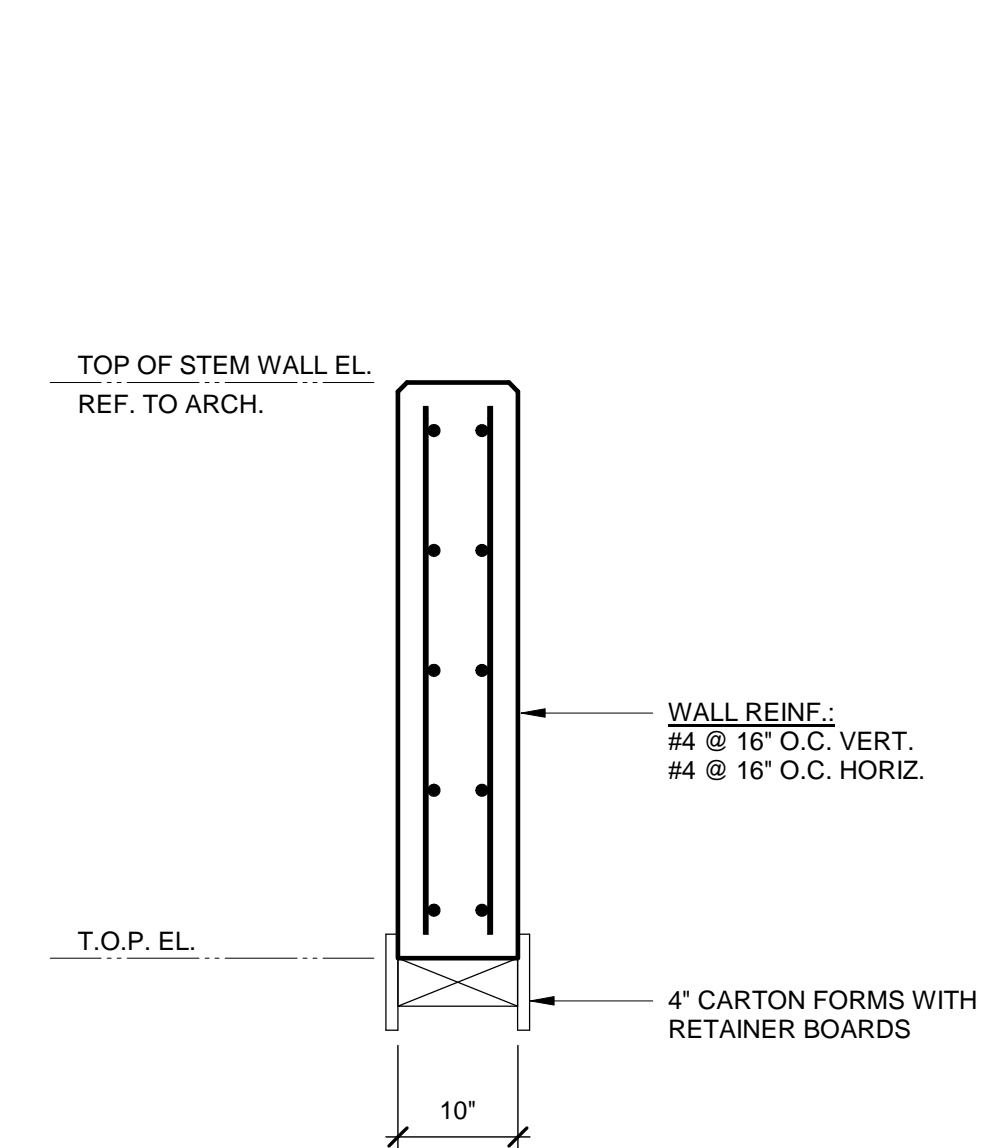
6 DETAIL

3/4" = 1'-0" SLAB TO PANNEL CONNECTION AT DOOR



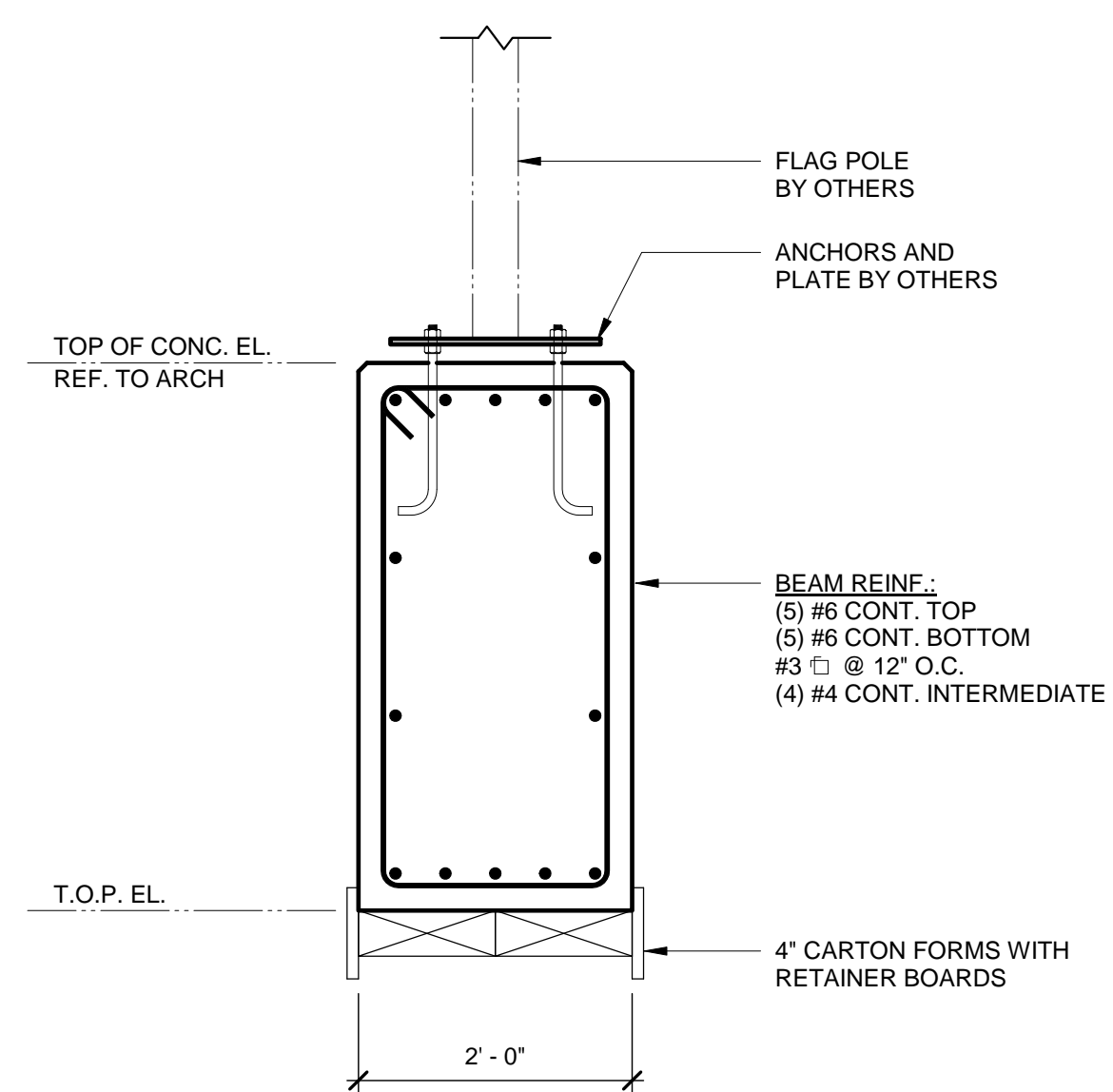
7 DETAIL

3/4" = 1'-0" COLUMN BEARING ON GRADE BEAM BY PANNEL



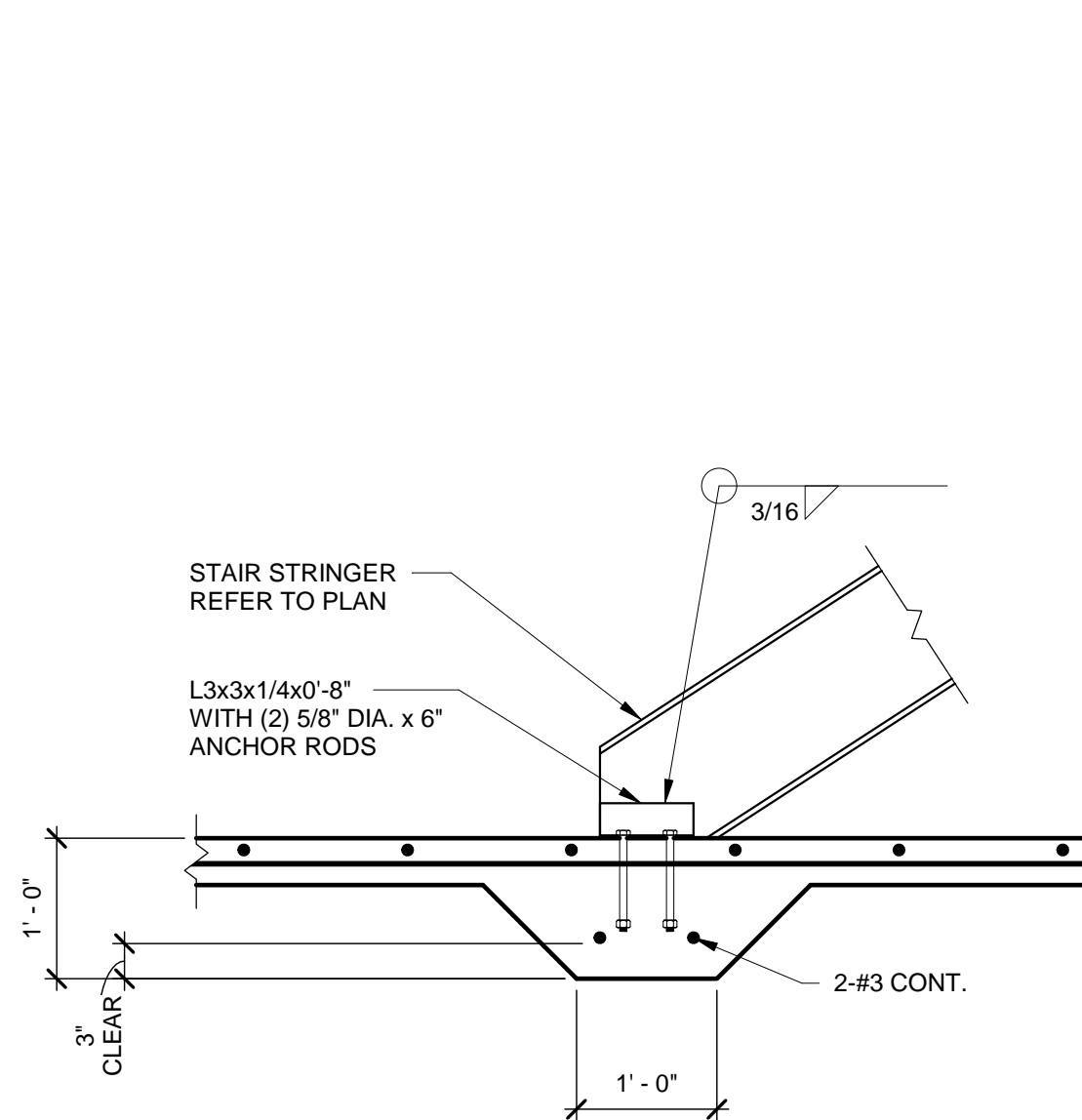
8 DETAIL

3/4" = 1'-0" GRADE BEAM AT FRONT OF BUILDING



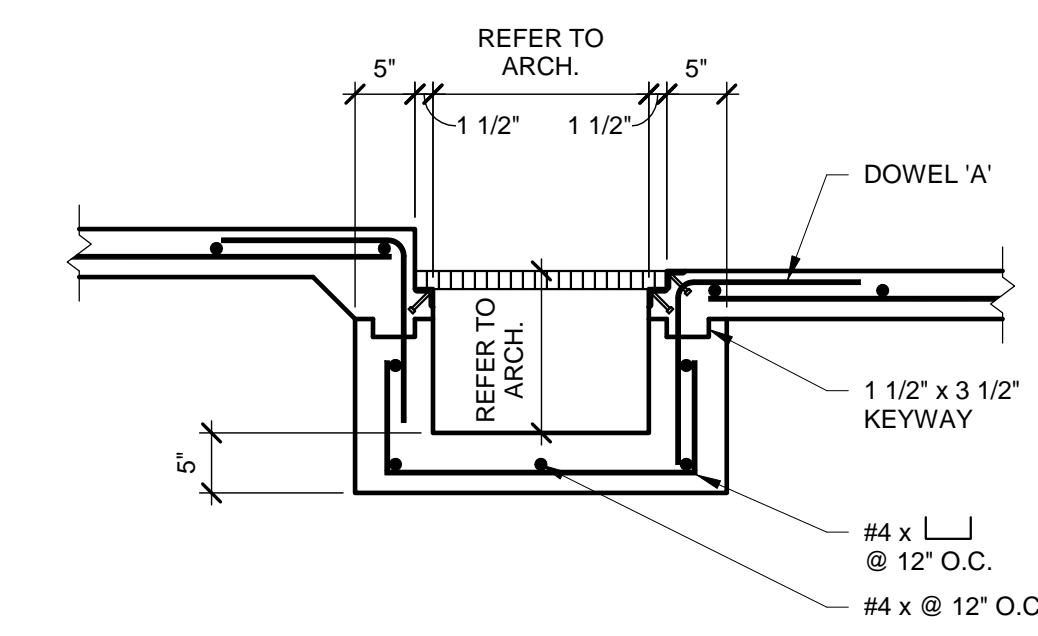
9 DETAIL

3/4" = 1'-0" GRADE BEAM AT FRONT OF BUILDING



10 DETAIL

3/4" = 1'-0" STAIR STRINGER TO CONCRETE CONNECTION



11 DETAIL

3/4" = 1'-0" BULLET TRENCH

THIS DOCUMENT IS RELEASED ON 12-1-17 FOR THE PURPOSE OF BIDDING ONLY UNDER THE AUTHORITY OF BRYAN WADE GREEN, P.E. 74453. IT IS NOT TO BE USED FOR CONSTRUCTION OR FABRICATION PURPOSES.

Revision Schedule		
Rev. #	Revision Description	Revision Date

FWN&A
 Frank W. Neal & Assoc., Inc.
 1016 W. Broadway Ave. 817-332-1944
 Fort Worth, TX 76104 fwna-eng.com
 Texas firm reg. no. F-000296

TEXAS GUN
 EXPERIENCE
 GRAPEVINE, TX

217.130.03
 DECEMBER 1, 2017

FOUNDATION
 DETAILS

S1.3