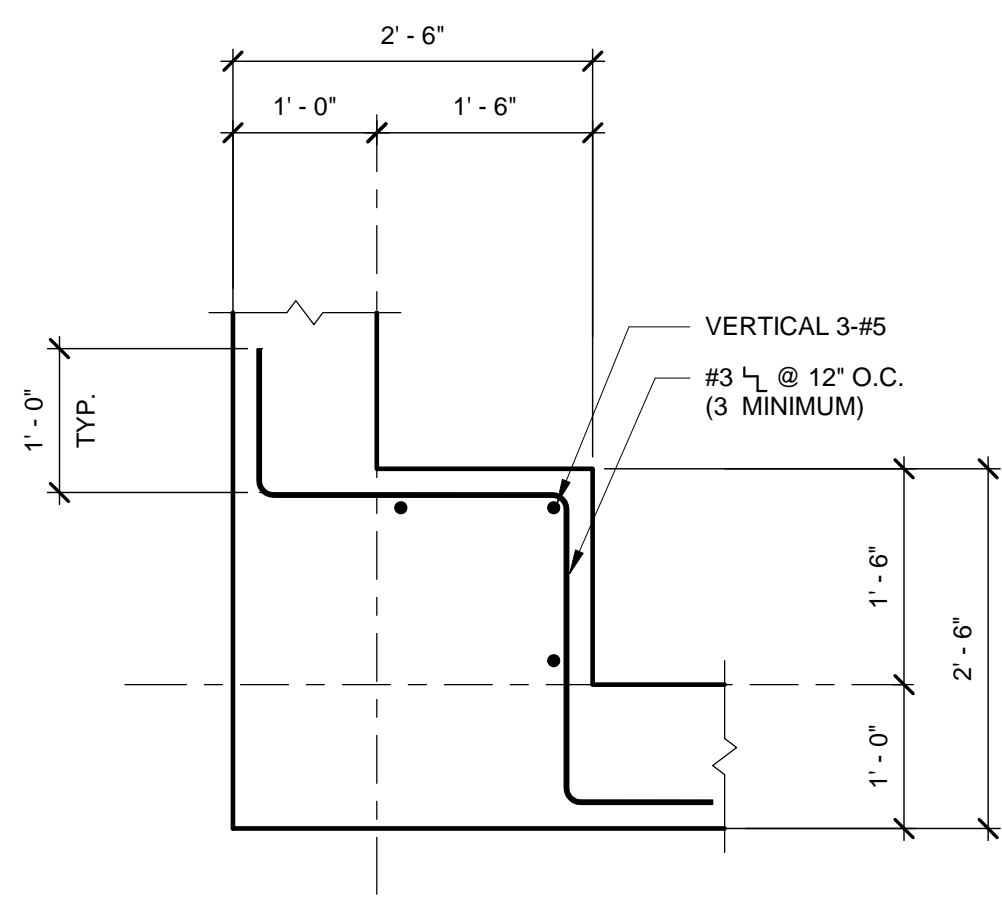
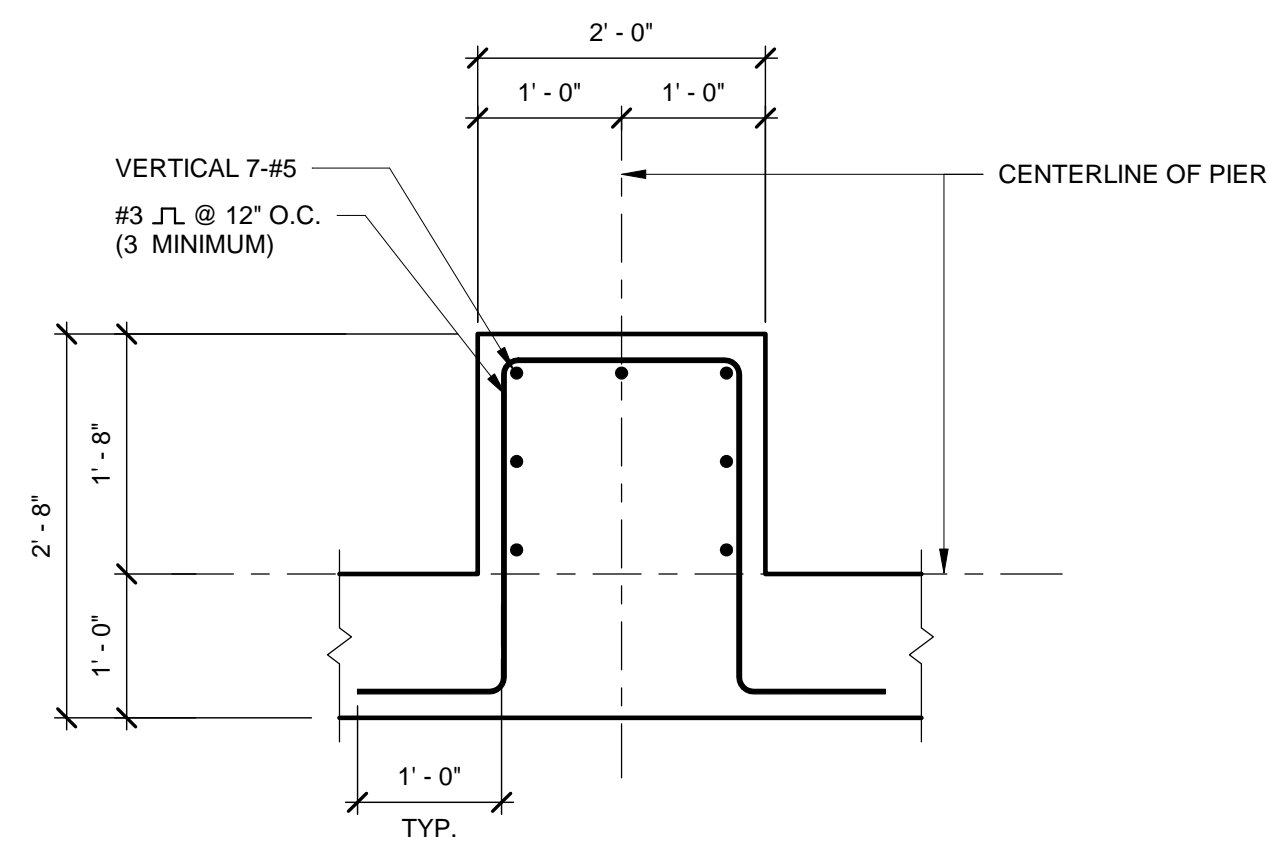


THIS DOCUMENT IS RELEASED ON 12-1-17 FOR THE PURPOSE OF BIDDING ONLY UNDER THE AUTHORITY OF BRYAN WADE GREEN, P.E. 74453. IT IS NOT TO BE USED FOR CONSTRUCTION OR FABRICATION PURPOSES.



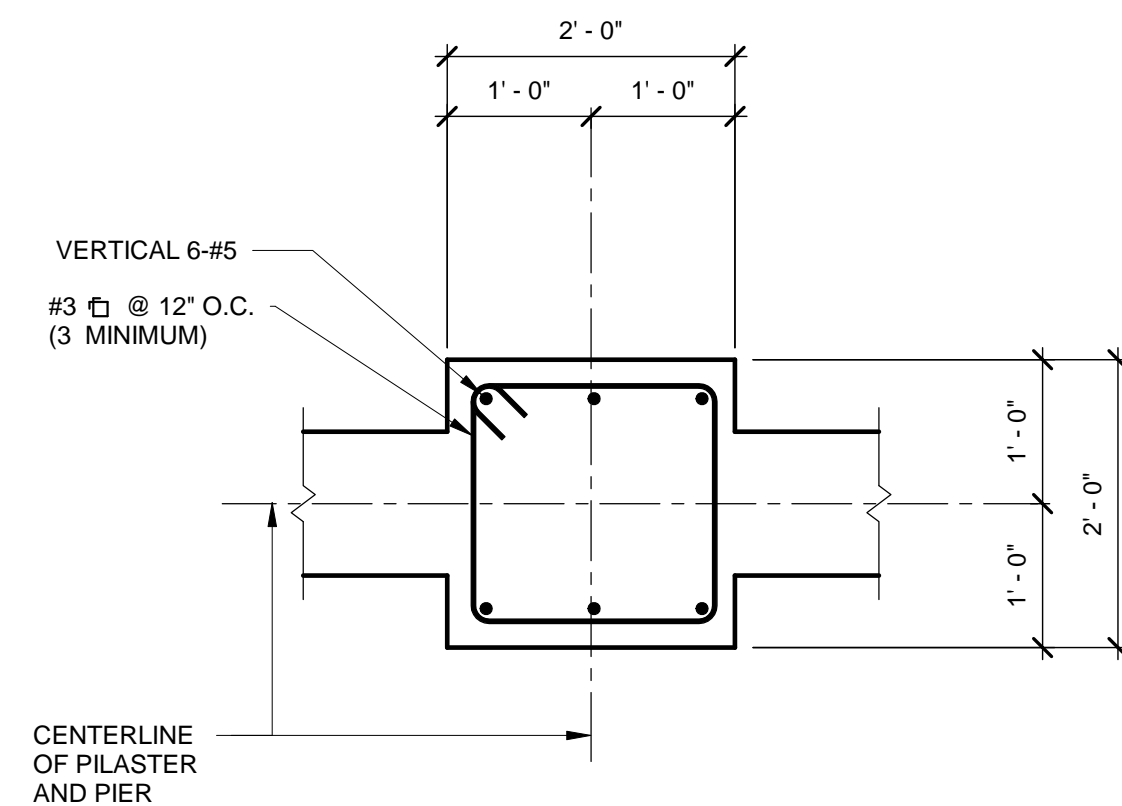
**1** DETAIL

N.T.S. ADDITIONAL REINFORCEMENT AT CORNER PILASTER



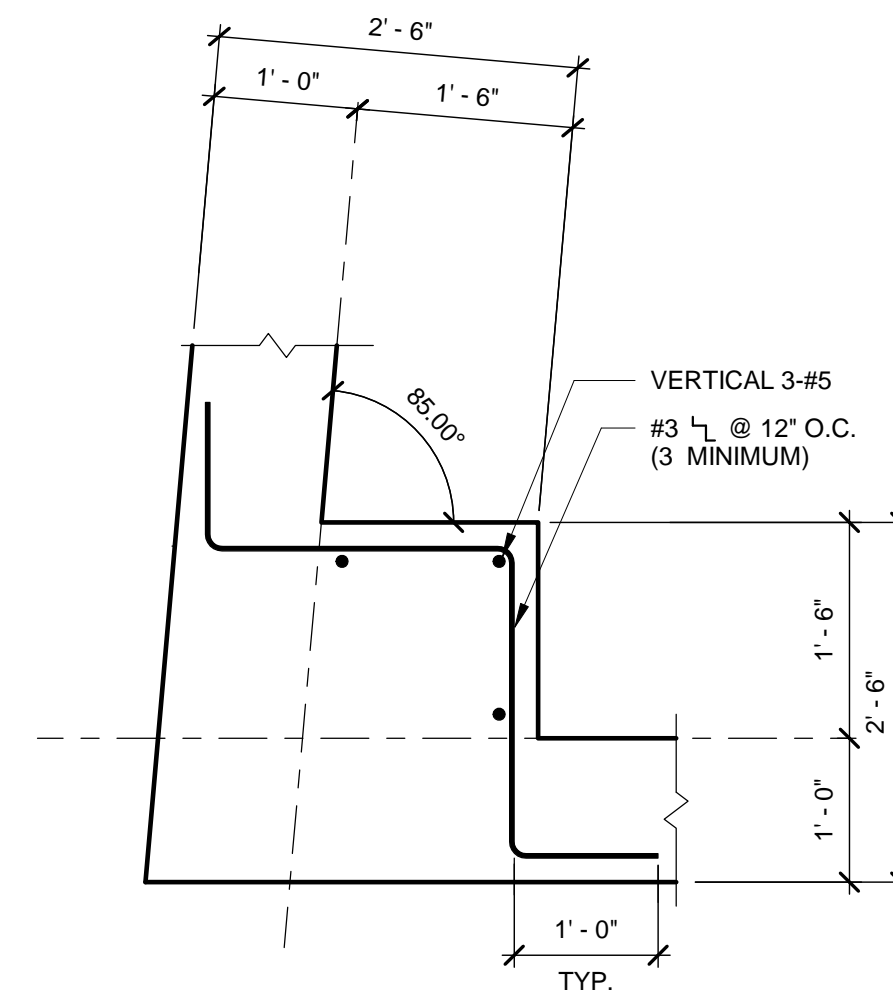
**2** DETAIL

N.T.S. ADDITIONAL REINFORCEMENT AT PILASTER



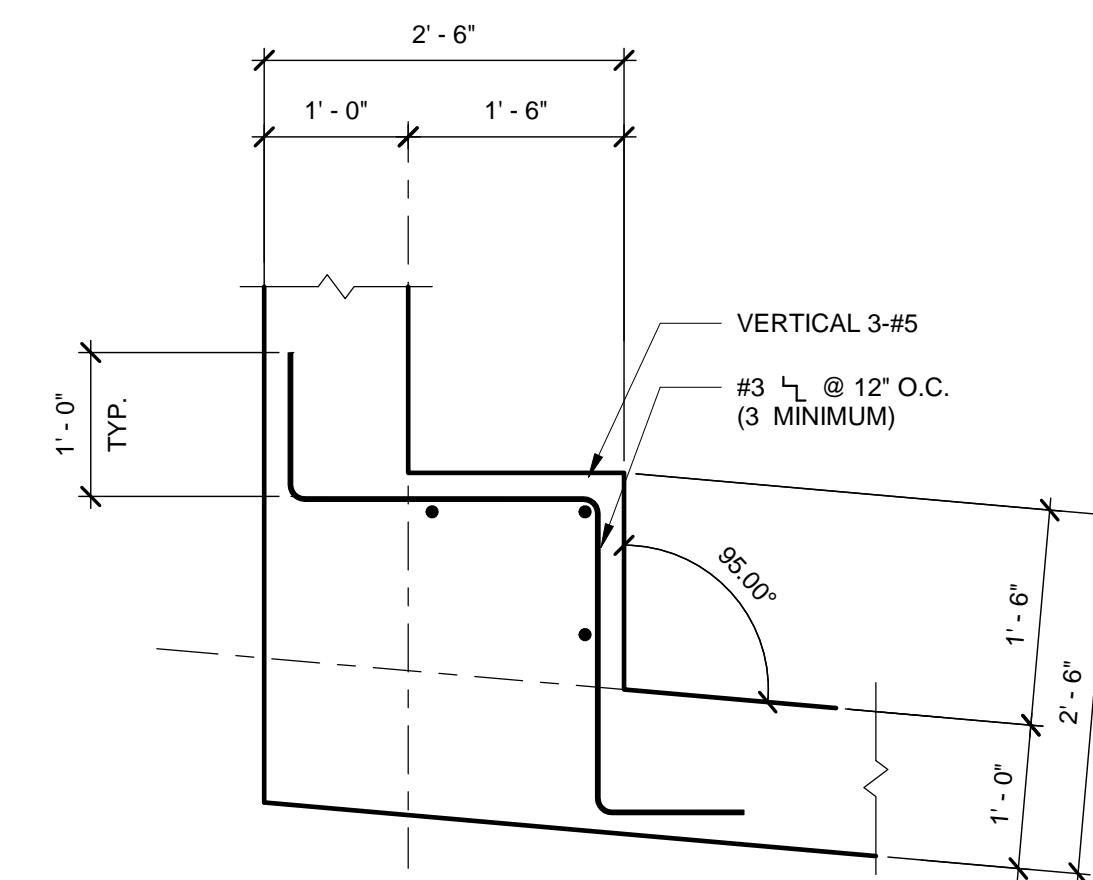
**3** DETAIL

N.T.S. ADDITIONAL REINFORCEMENT AT PILASTER



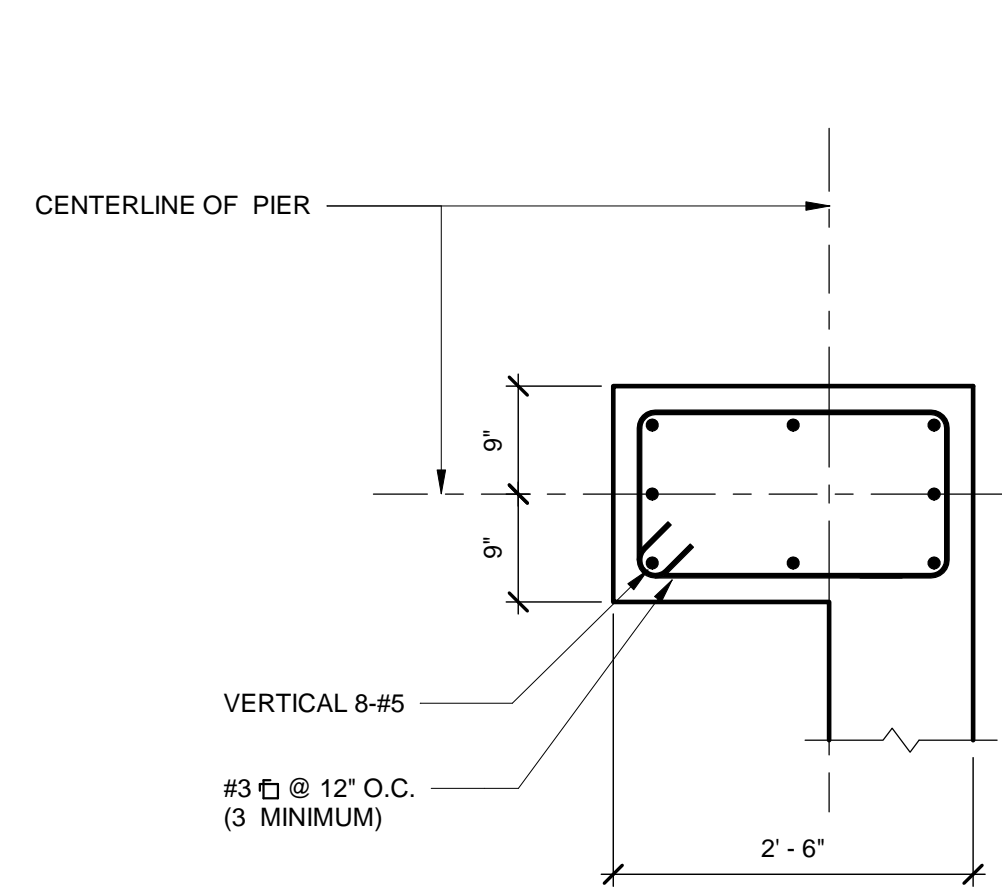
**4** DETAIL

3/4" = 1'-0" ADDITIONAL REINFORCEMENT AT CORNER PILASTER



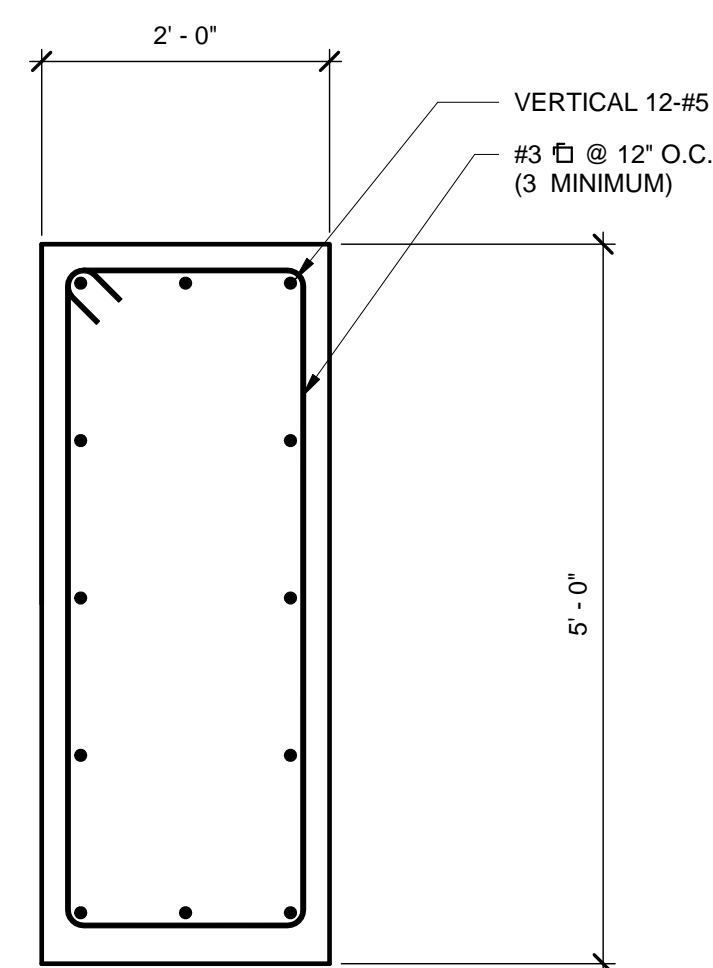
**5** DETAIL

3/4" = 1'-0" ADDITIONAL REINFORCEMENT AT CORNER PILASTER



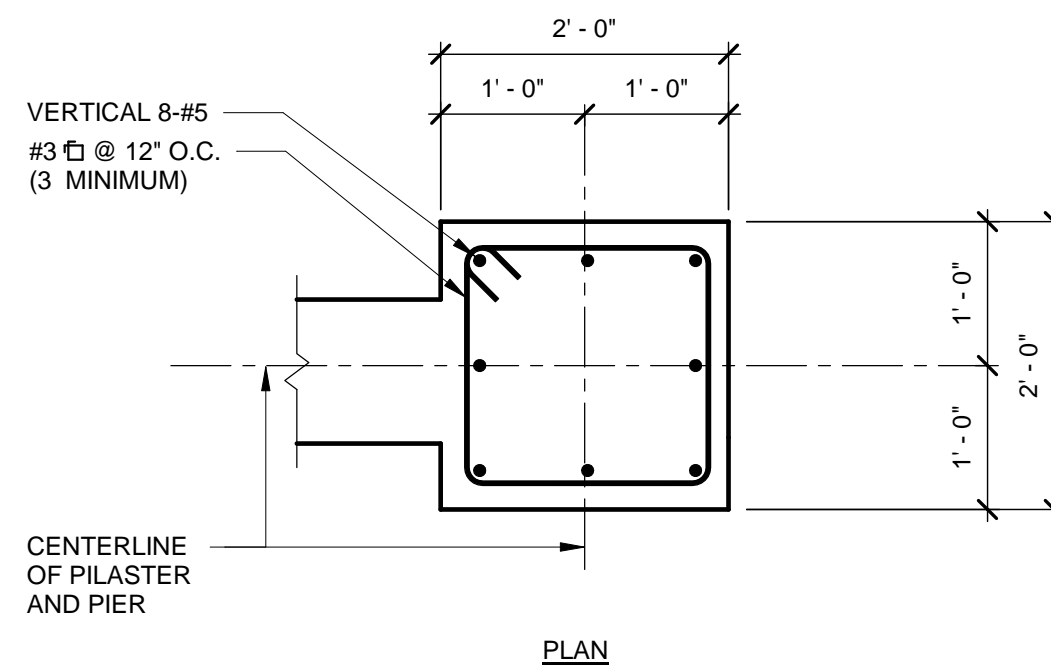
**6** DETAIL

3/4" = 1'-0" ADDITIONAL REINFORCEMENT AT PILASTER



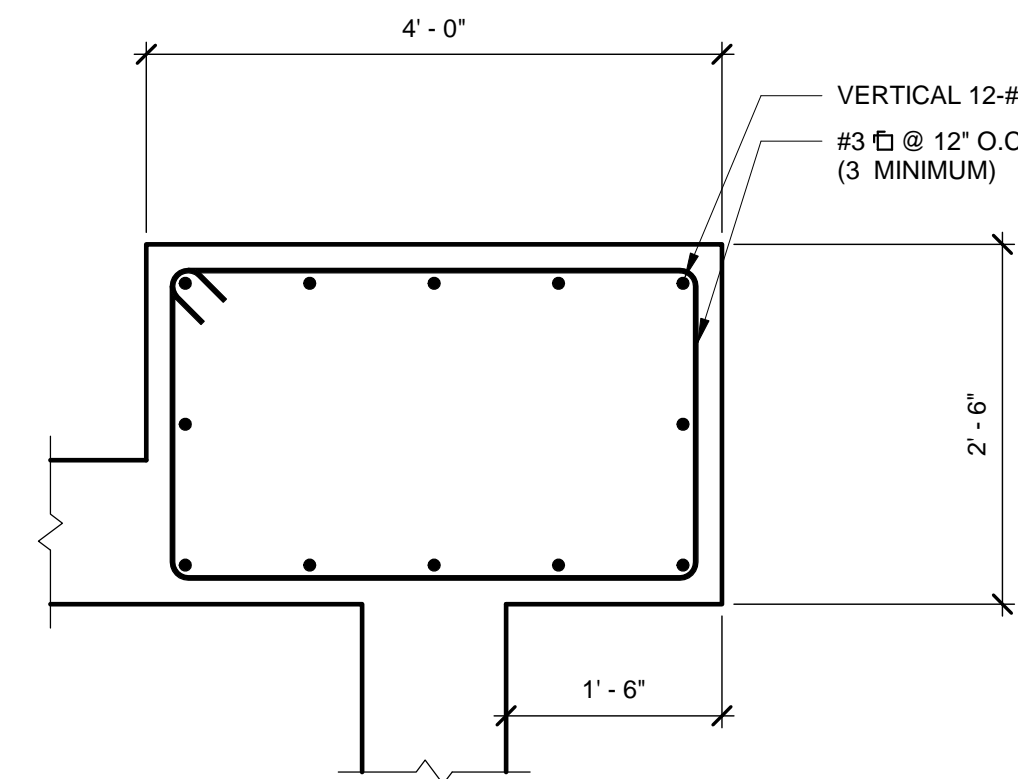
**7** DETAIL

3/4" = 1'-0" ADDITIONAL REINFORCEMENT AT PILASTER



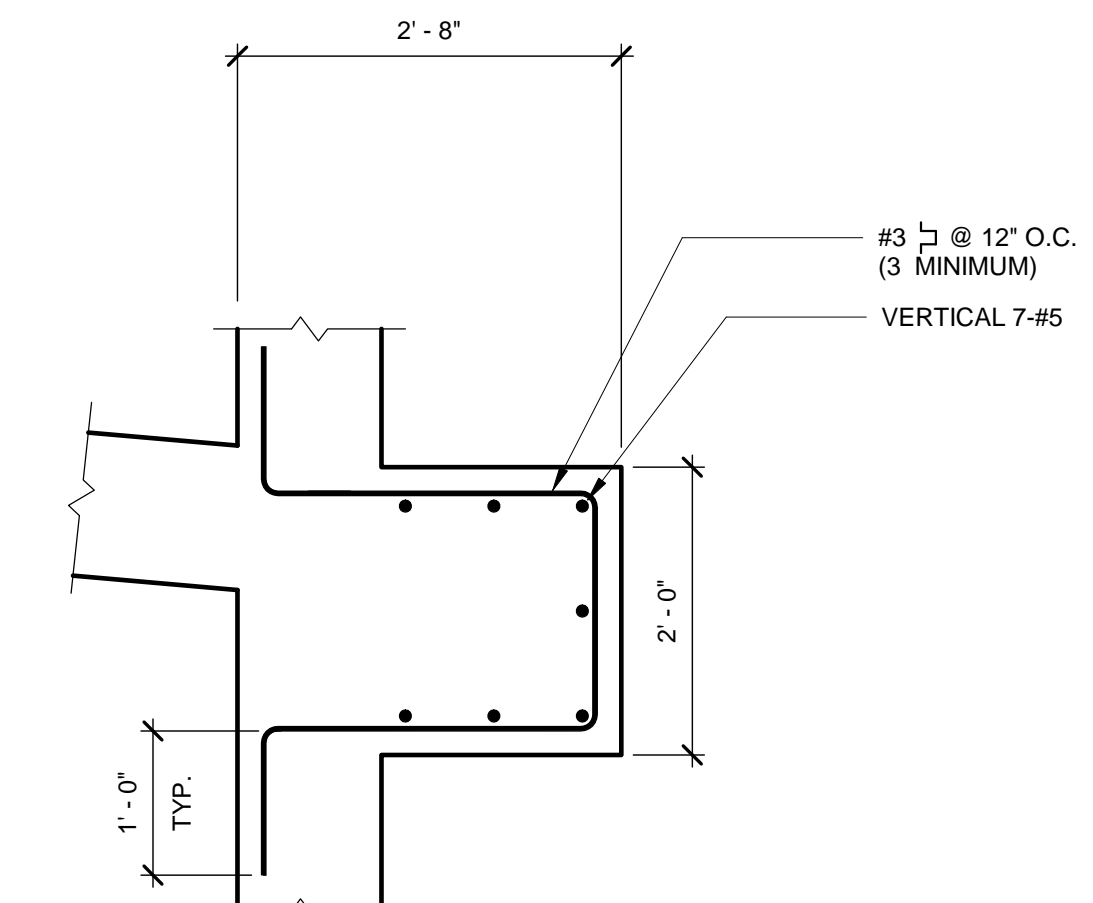
**8** DETAIL

3/4" = 1'-0" ADDITIONAL REINFORCEMENT AT PILASTER



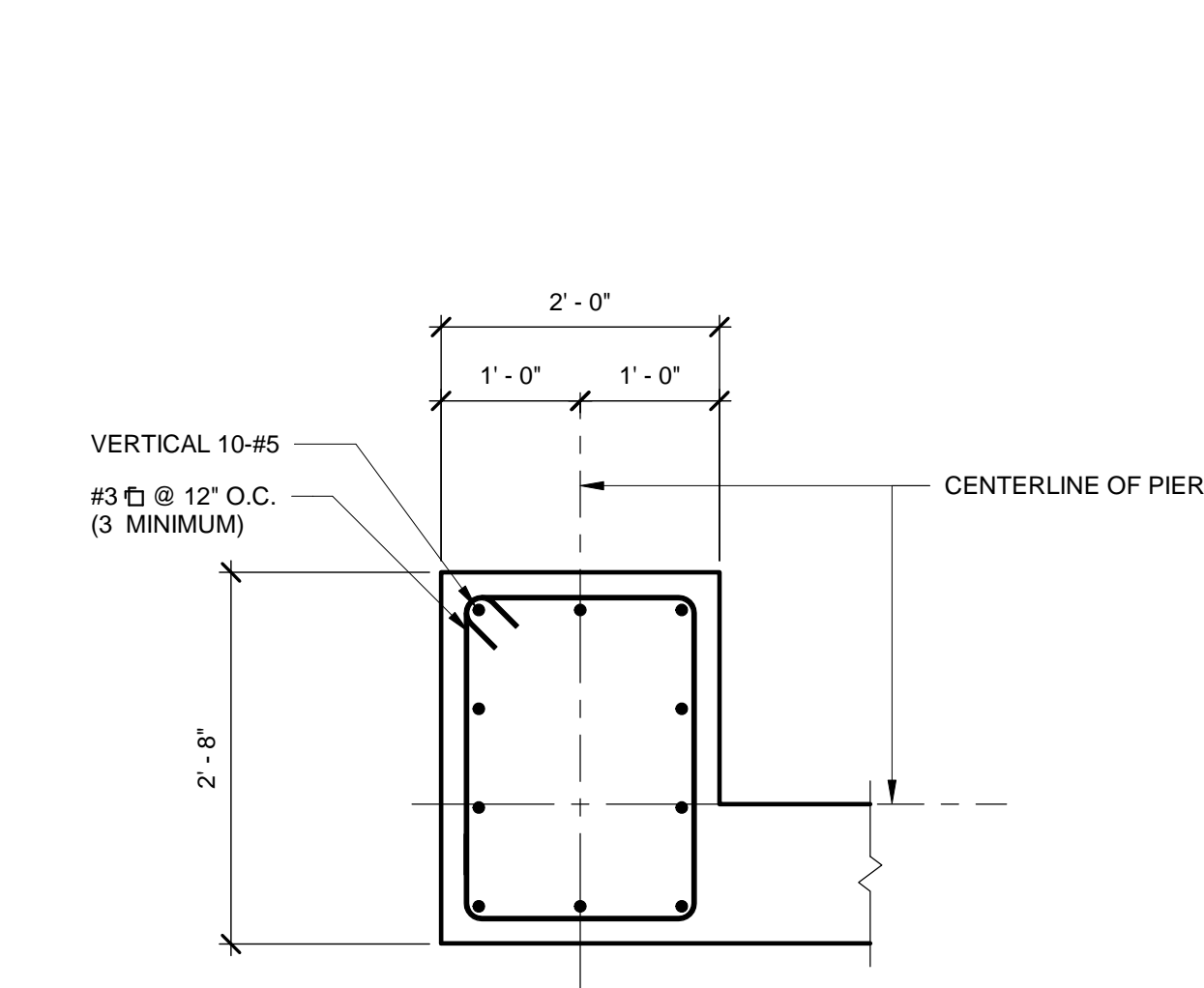
**9** DETAIL

3/4" = 1'-0" ADDITIONAL REINFORCEMENT AT PILASTER



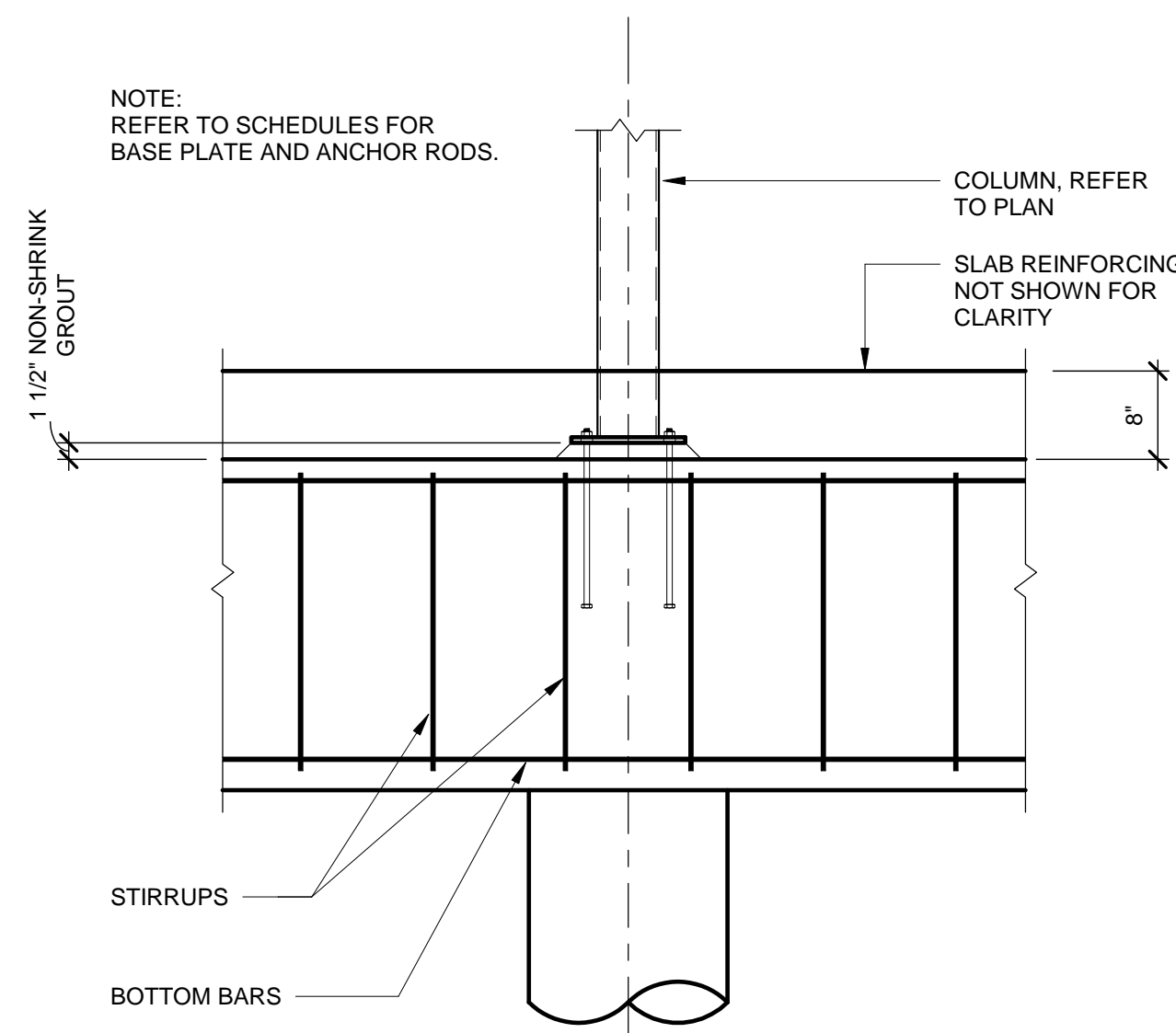
**10** DETAIL

3/4" = 1'-0" ADDITIONAL REINFORCEMENT AT PILASTER



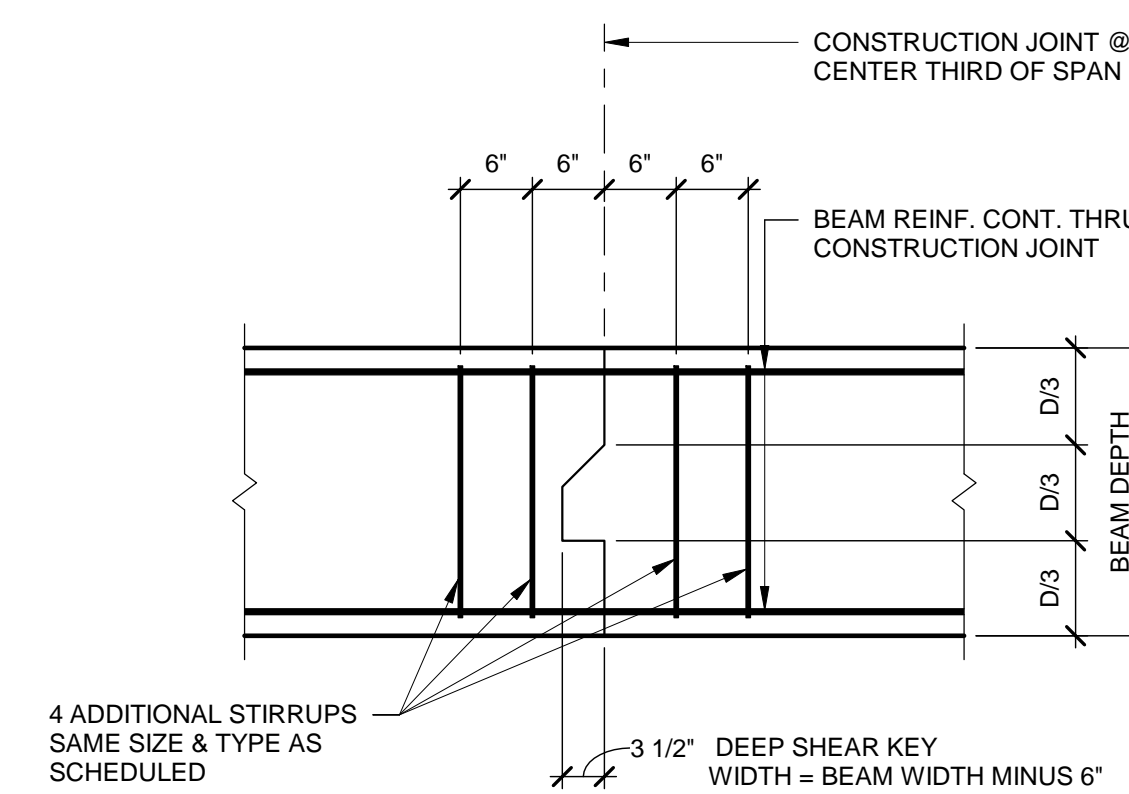
**11** DETAIL

3/4" = 1'-0" ADDITIONAL REINFORCEMENT AT PILASTER15



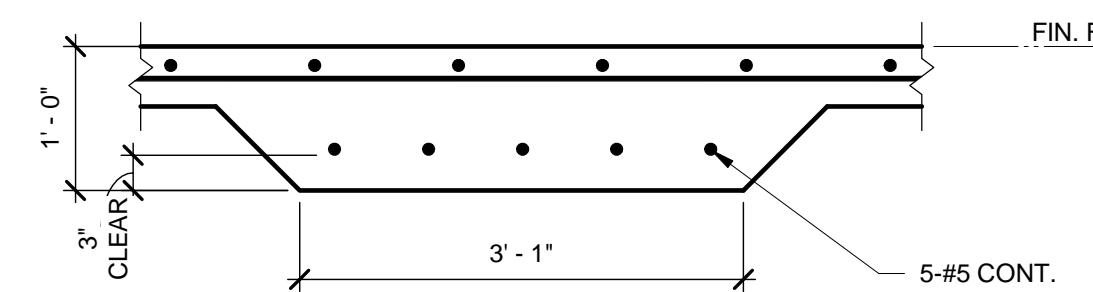
**12** DETAIL

3/4" = 1'-0" REINFORCING AT BLOCKOUT IN GRADE BEAM



**13** DETAIL

3/4" = 1'-0" ELEVATION OF CONSTRUCTION JOINT IN GRADE BEAM



**14** DETAIL

3/4" = 1'-0" THICKENED SLAB AT FIREPLACE

Revision Schedule		
Rev. #	Revision Description	Revision Date

**FWN&A**  
 Frank W. Neal & Assoc., Inc.  
 1016 W. Broadway Ave.  
 Fort Worth, TX 76104  
 Texas firm reg. no. F-600296  
 817-332-1944  
 fwna-eng.com

TEXAS GUN  
 EXPERIENCE  
 GRAPEVINE, TX

217.130.03  
 DECEMBER 1, 2017

FOUNDATION  
 DETAILS

**S1.2**