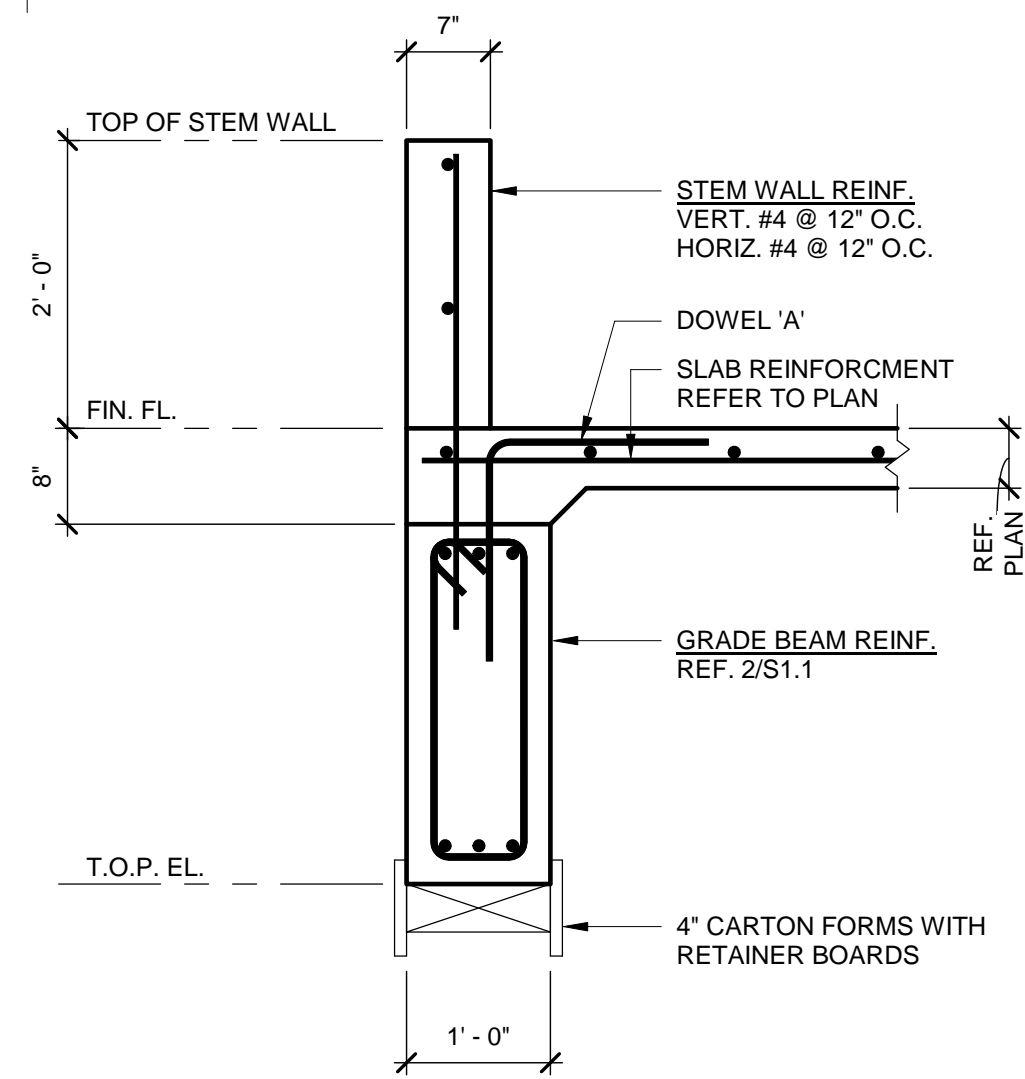


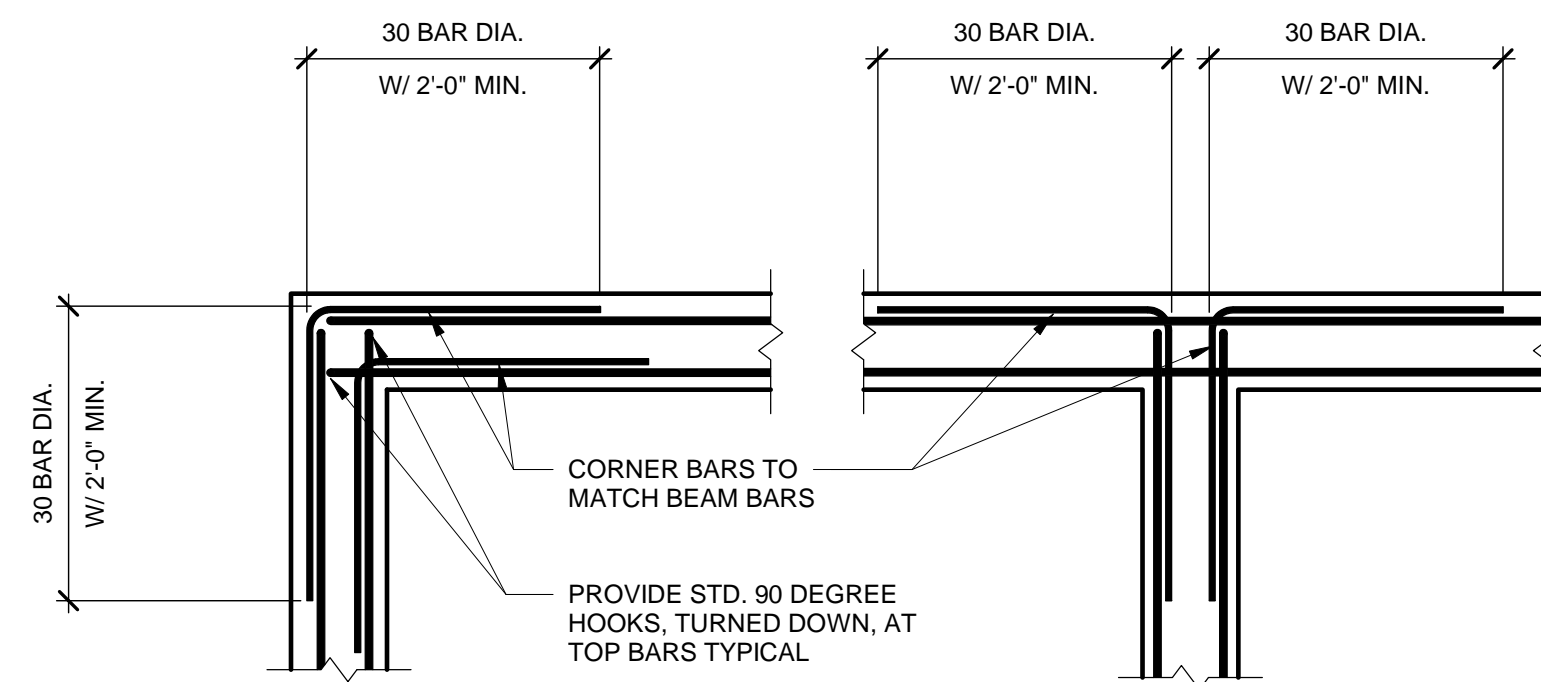
1 DETAIL

N.T.S. DRILLED PIER



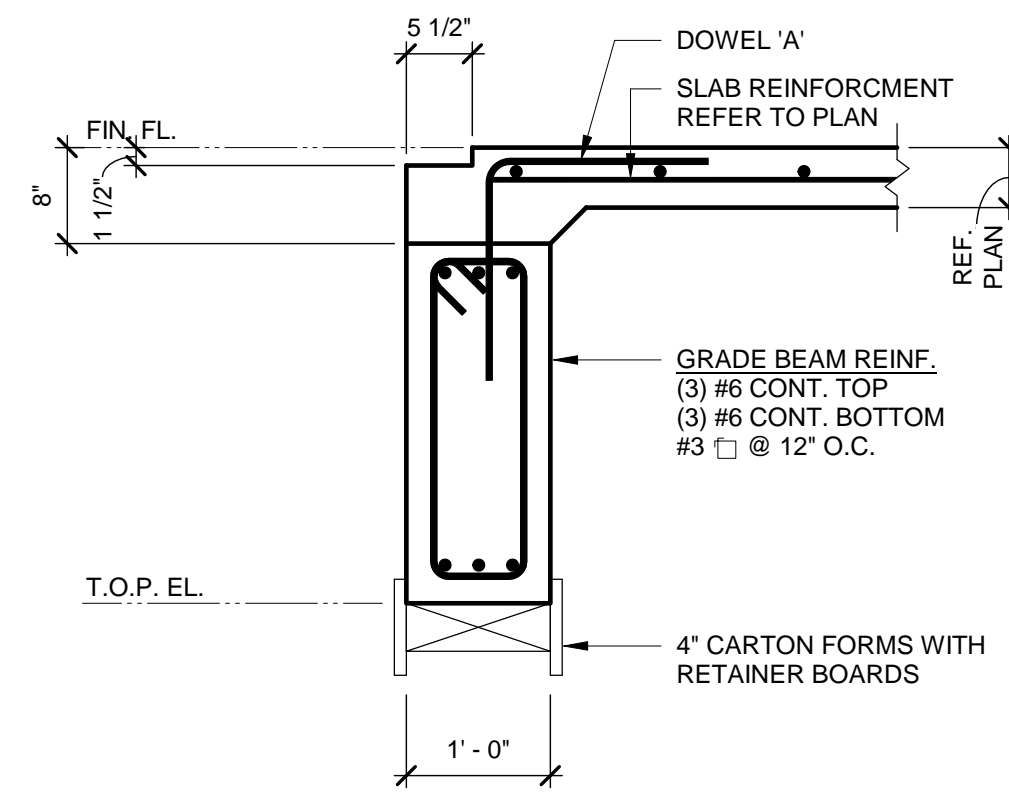
8 DETAIL

3/4" = 1'-0" PERIMETER GRADE BEAM WITH STEM WALL



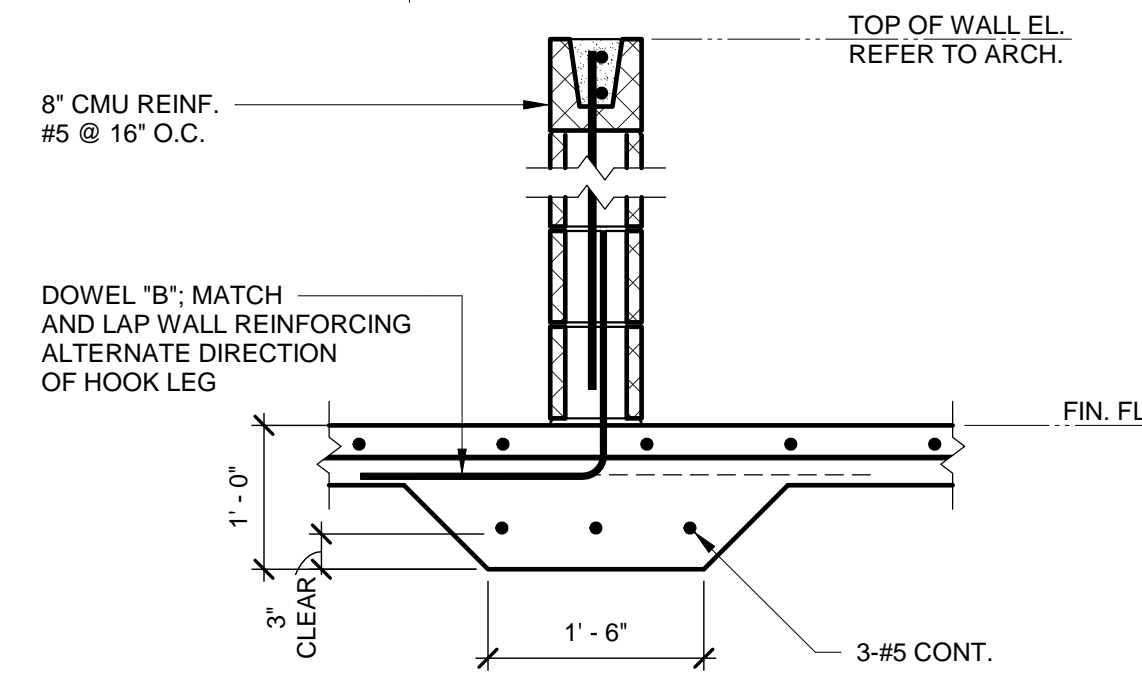
12 DETAIL

N.T.S. GRADE BEAM CORNER REINF.



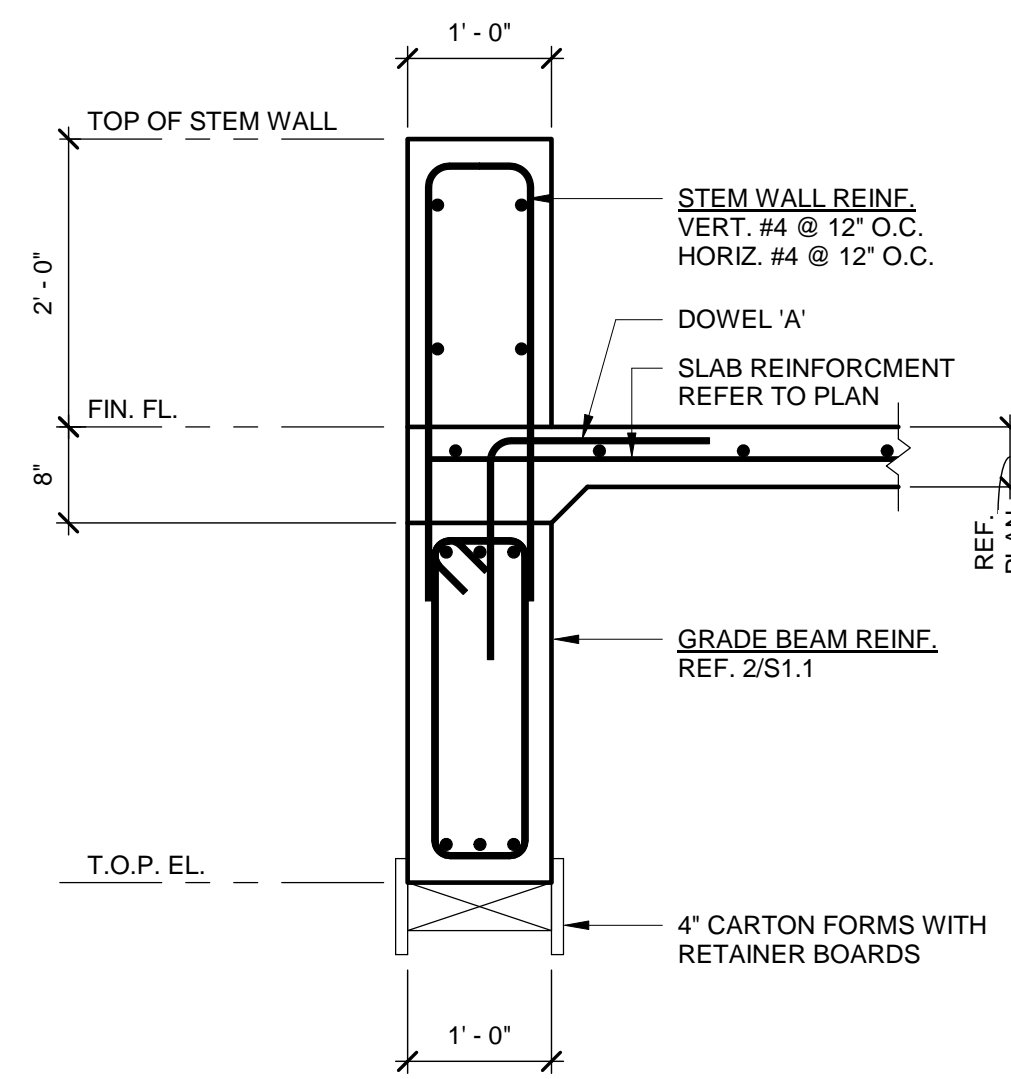
2 DETAIL

3/4" = 1'-0" PERIMETER GRADE BEAM WITH LEDGE



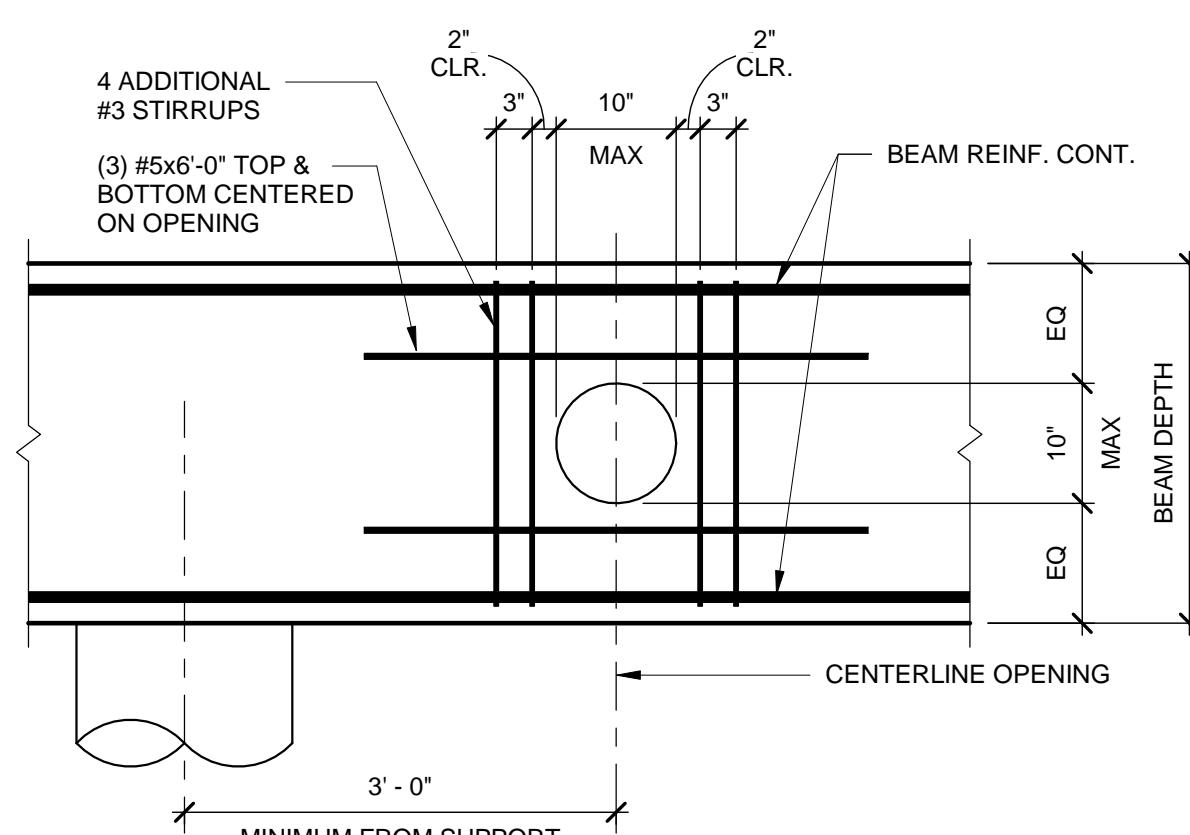
5 DETAIL

3/4" = 1'-0" THICKENED SLAB AT CMU WALL



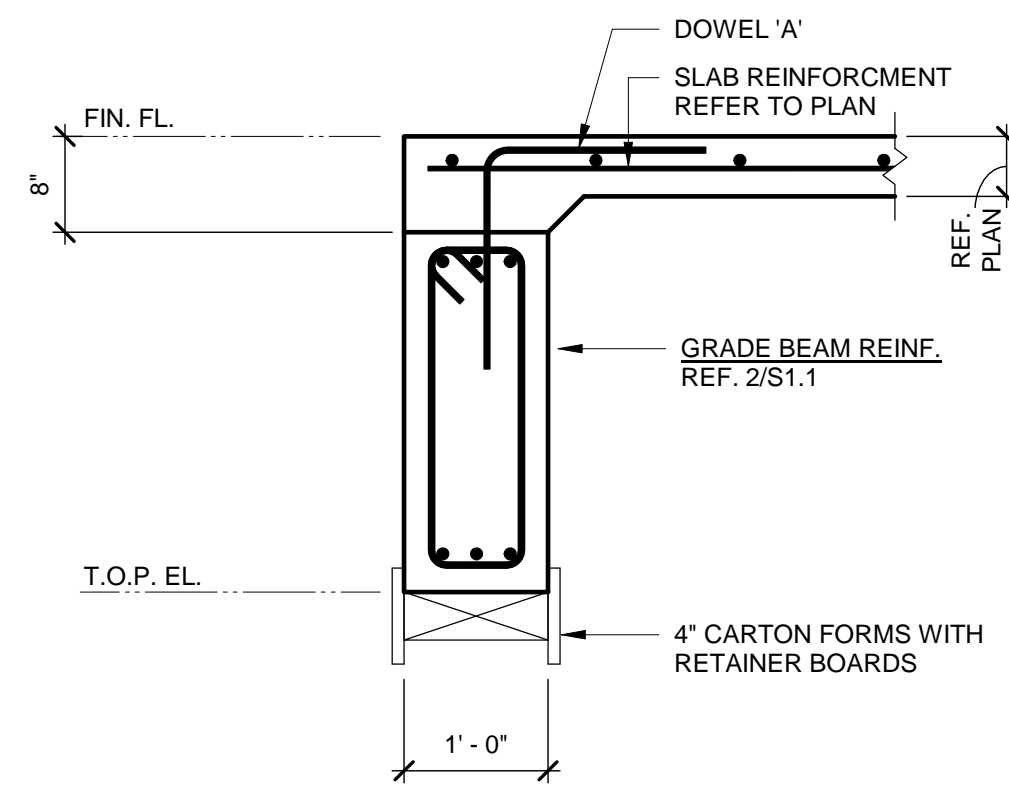
9 DETAIL

3/4" = 1'-0" PERIMETER GRADE BEAM WITH STEM WALL



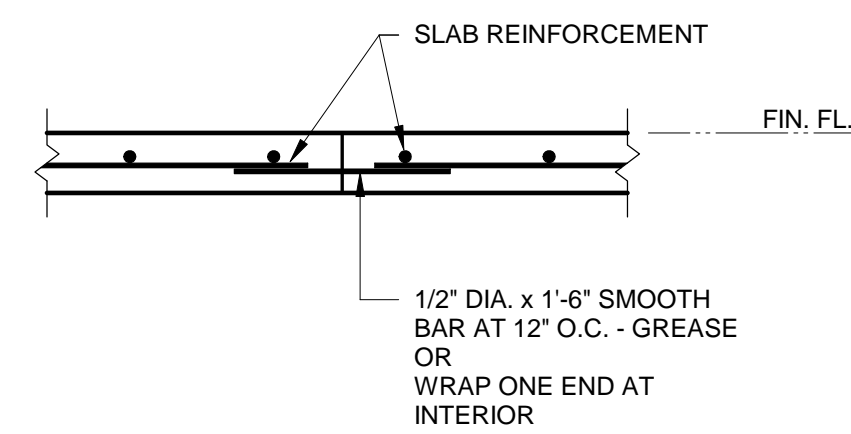
13 TYPICAL DETAIL

N.T.S. ELEVATION OF OPENING IN GRADE BEAM



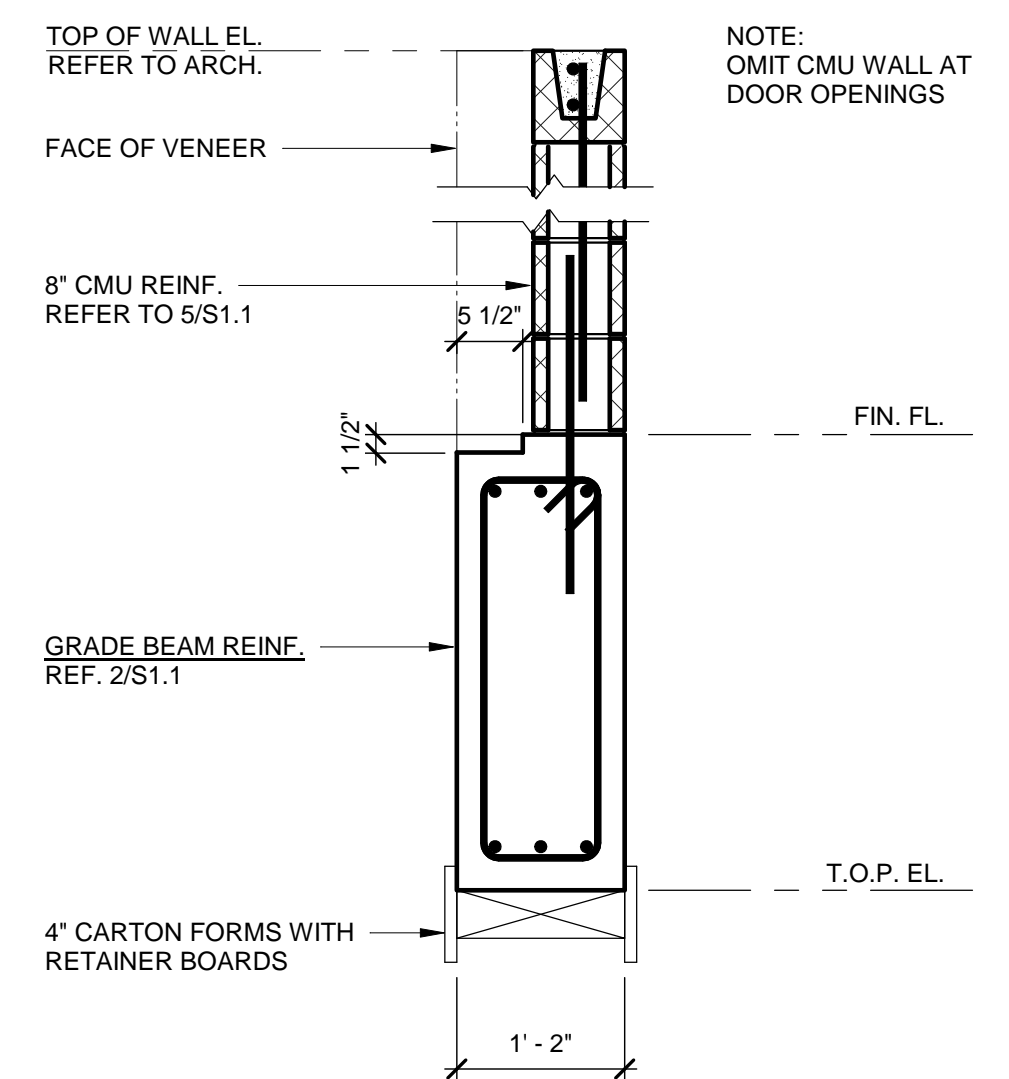
3 DETAIL

3/4" = 1'-0" PERIMETER GRADE BEAM WITHOUT LEDGE



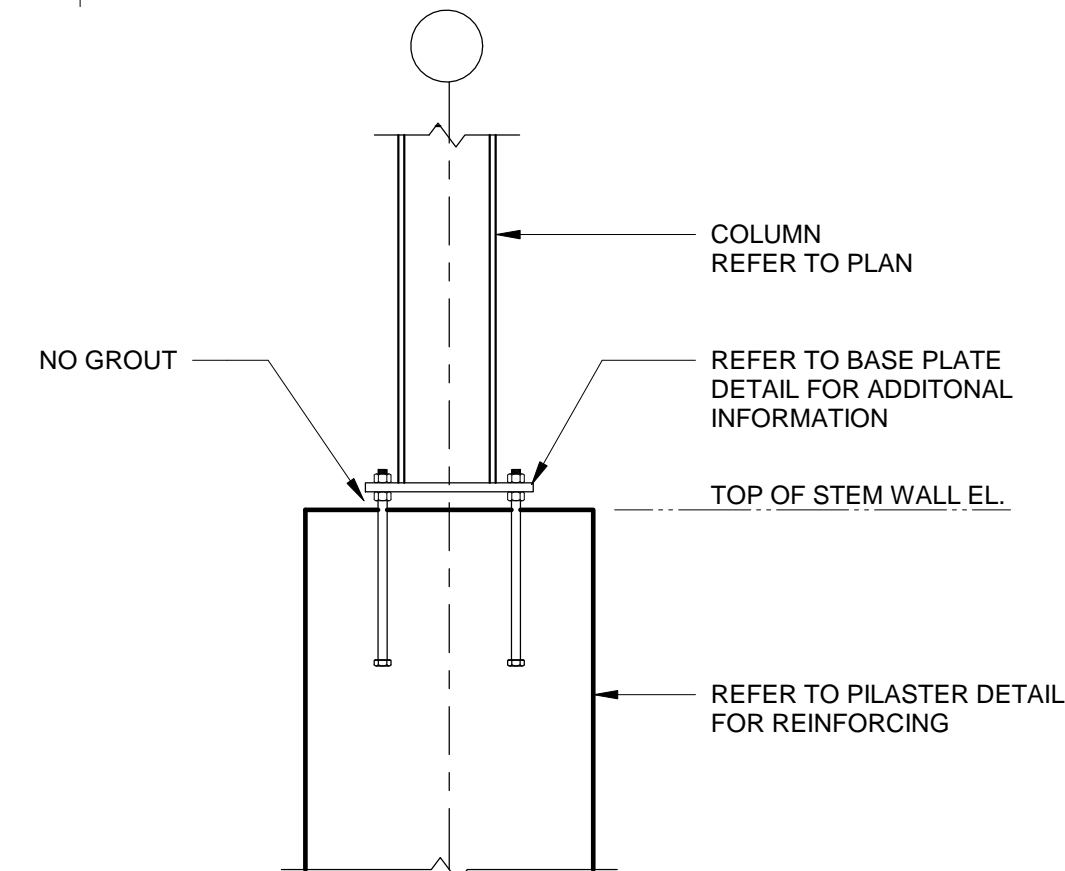
6 DETAIL

3/4" = 1'-0" CONSTRUCTION JOINT (C.J.)



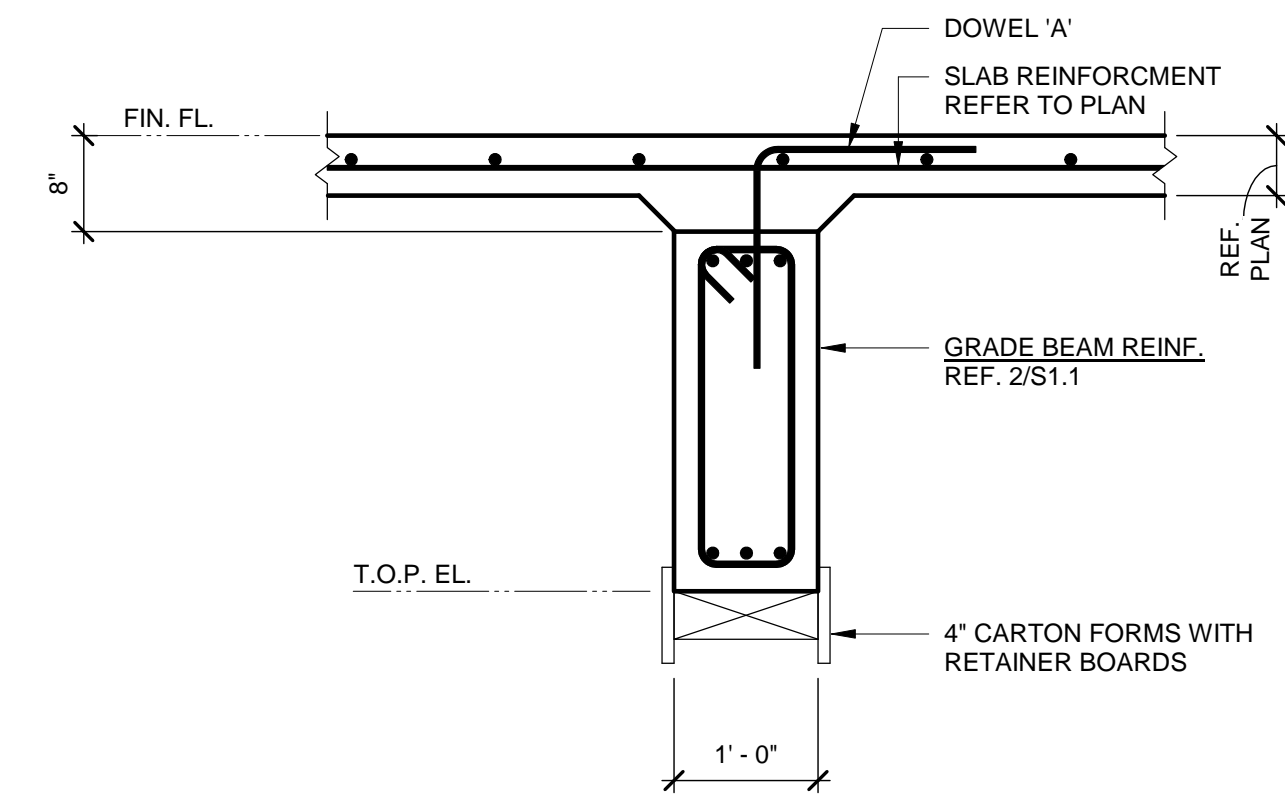
10 DETAIL

3/4" = 1'-0" GRADE BEAM WITHOUT SLAB



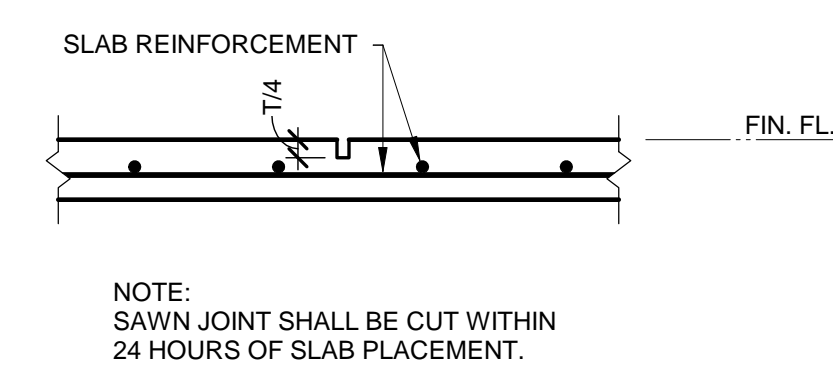
14 DETAIL

3/4" = 1'-0" COLUMN BEARING ON STEM WALL



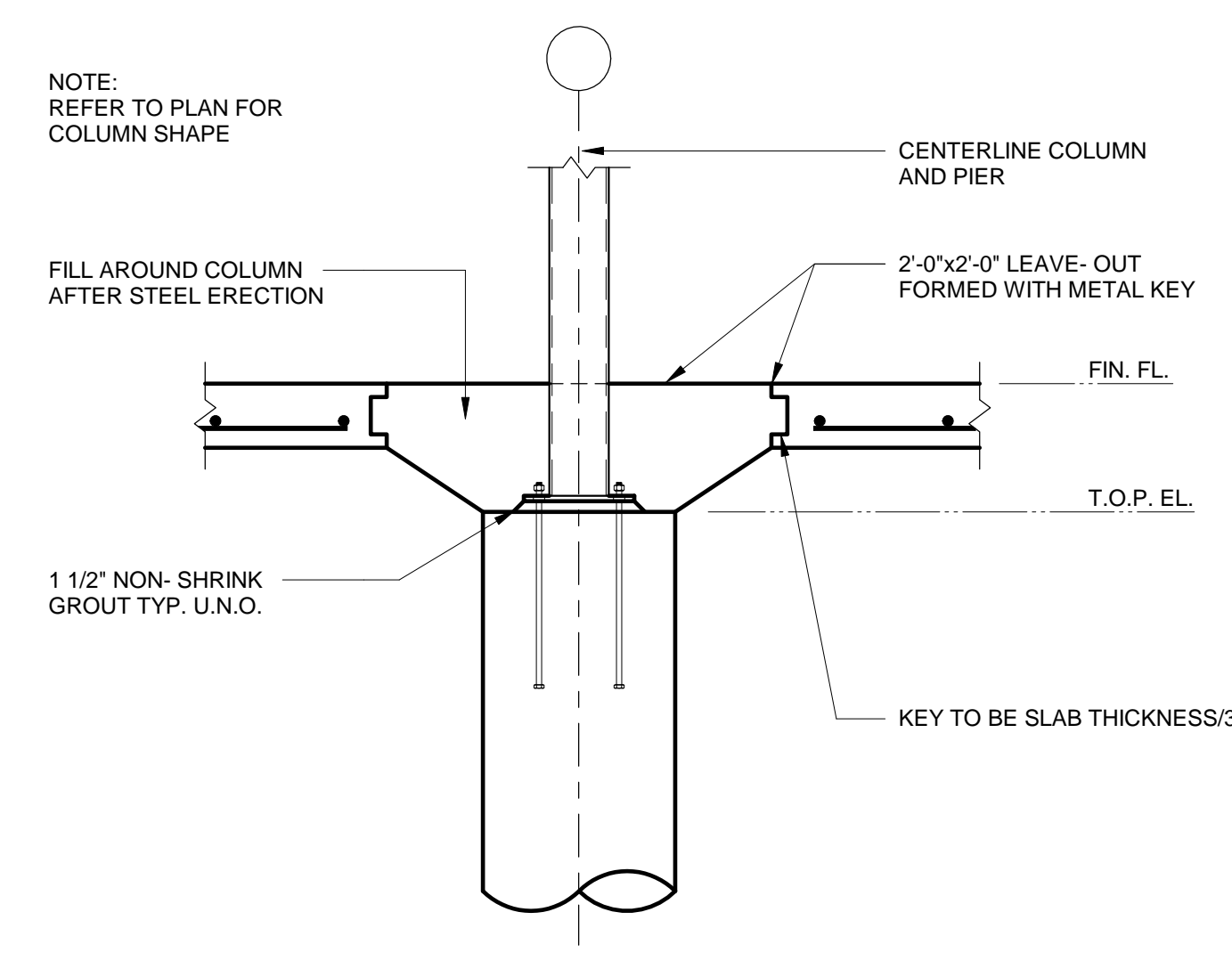
4 DETAIL

3/4" = 1'-0" INTERIOR GRADE BEAM



7 DETAIL

3/4" = 1'-0" SAWN JOINT (S.J.)



11 DETAIL

3/4" = 1'-0" INTERIOR COLUMN AT PIER

DOWEL SCHEDULE				
SCHEDULED DOWELS ARE MARKED "DWL" ON THE SECTIONS AND DETAILS.				
MARK	SIZE	"A"		SPACING
		"A"	"B"	
A	#4	1'-6"	1'-6"	18" O.C.
B	#4	2'-6"	1'-6"	-

THIS DOCUMENT IS RELEASED ON 12-1-17 FOR THE PURPOSE OF BIDDING ONLY UNDER THE AUTHORITY OF BRYAN WADE GREEN, P.E. 74453. IT IS NOT TO BE USED FOR CONSTRUCTION OR FABRICATION PURPOSES.

Revision Schedule		
Rev. #	Revision Description	Revision Date

FWN&A
Frank W. Neal & Assoc., Inc.
1016 W. Broadway Ave. 817-332-1944
Fort Worth, TX 76104 fwna-eng.com
Texas firm reg. no. F-000296

TEXAS GUN EXPERIENCE
GRAPEVINE, TX

217.130.03
DECEMBER 1, 2017

FOUNDATION DETAILS AND SECTIONS

S1.1