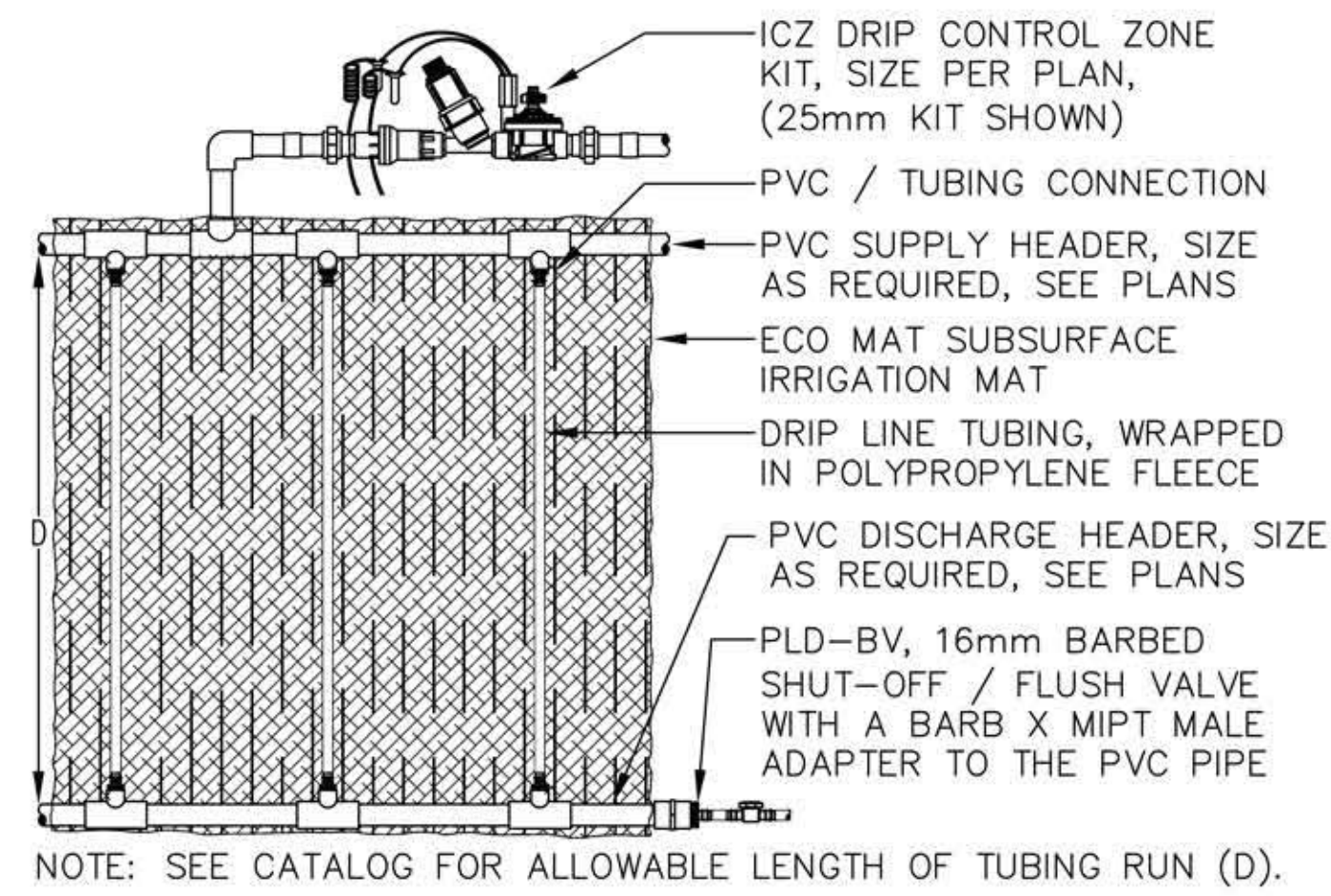
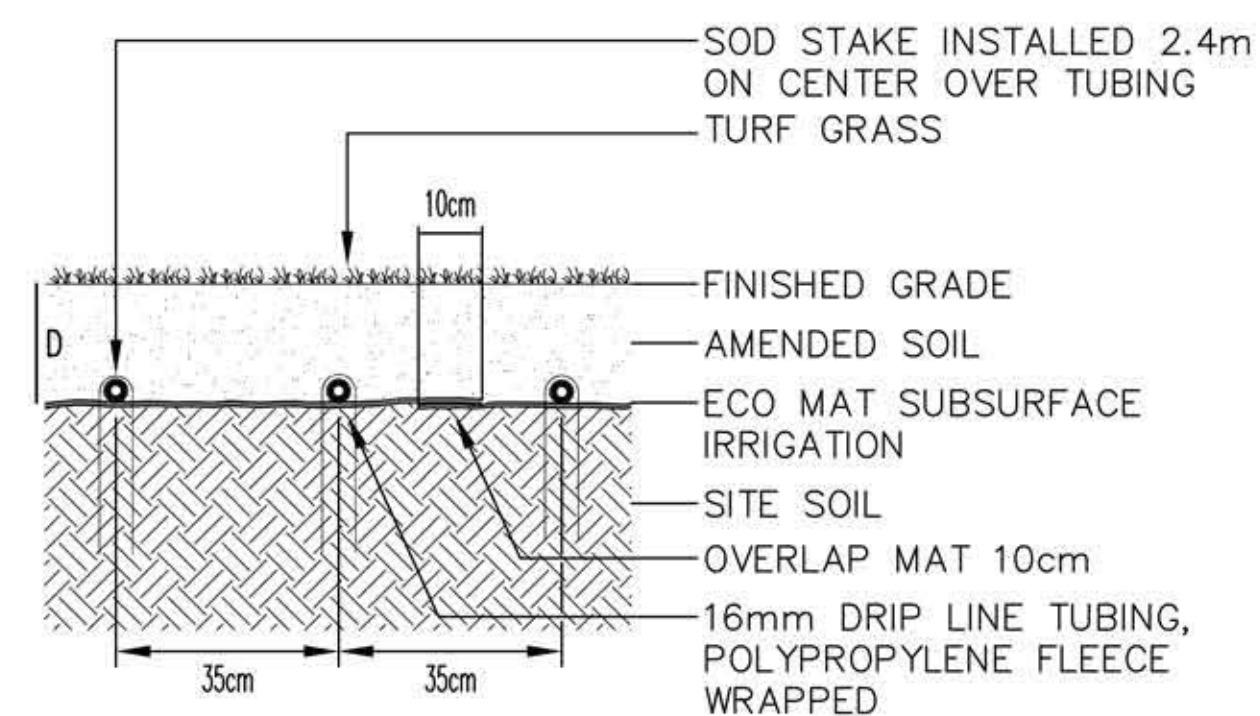


ECO MAT CONNECTION
SCALE: N.T.S. IRRIGATION DETAIL



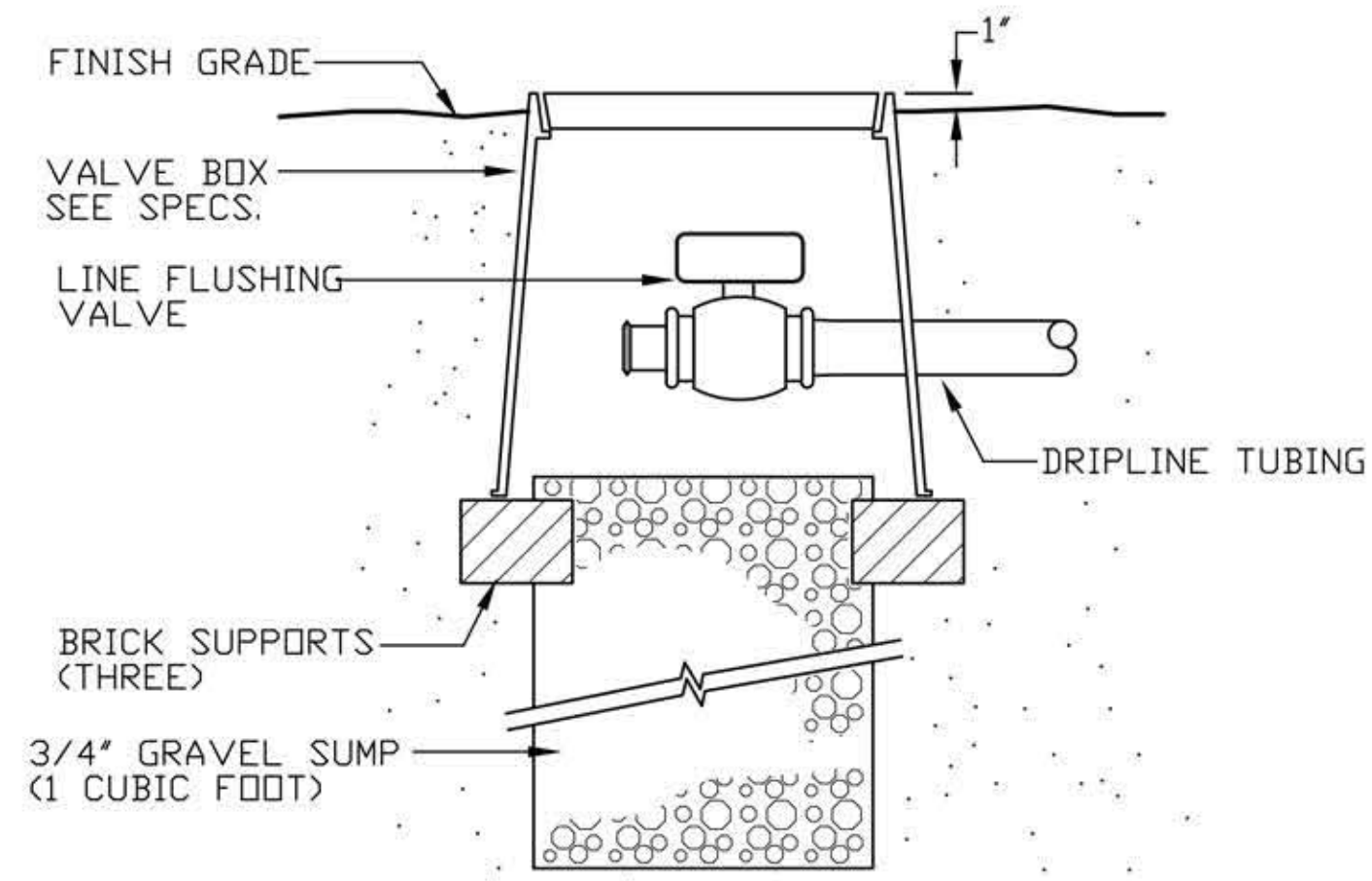
ECO MAT - PLAN
SCALE: N.T.S. IRRIGATION DETAIL

PVC SUPPLY HEADER AND PVC DISCHARGE HEADER.

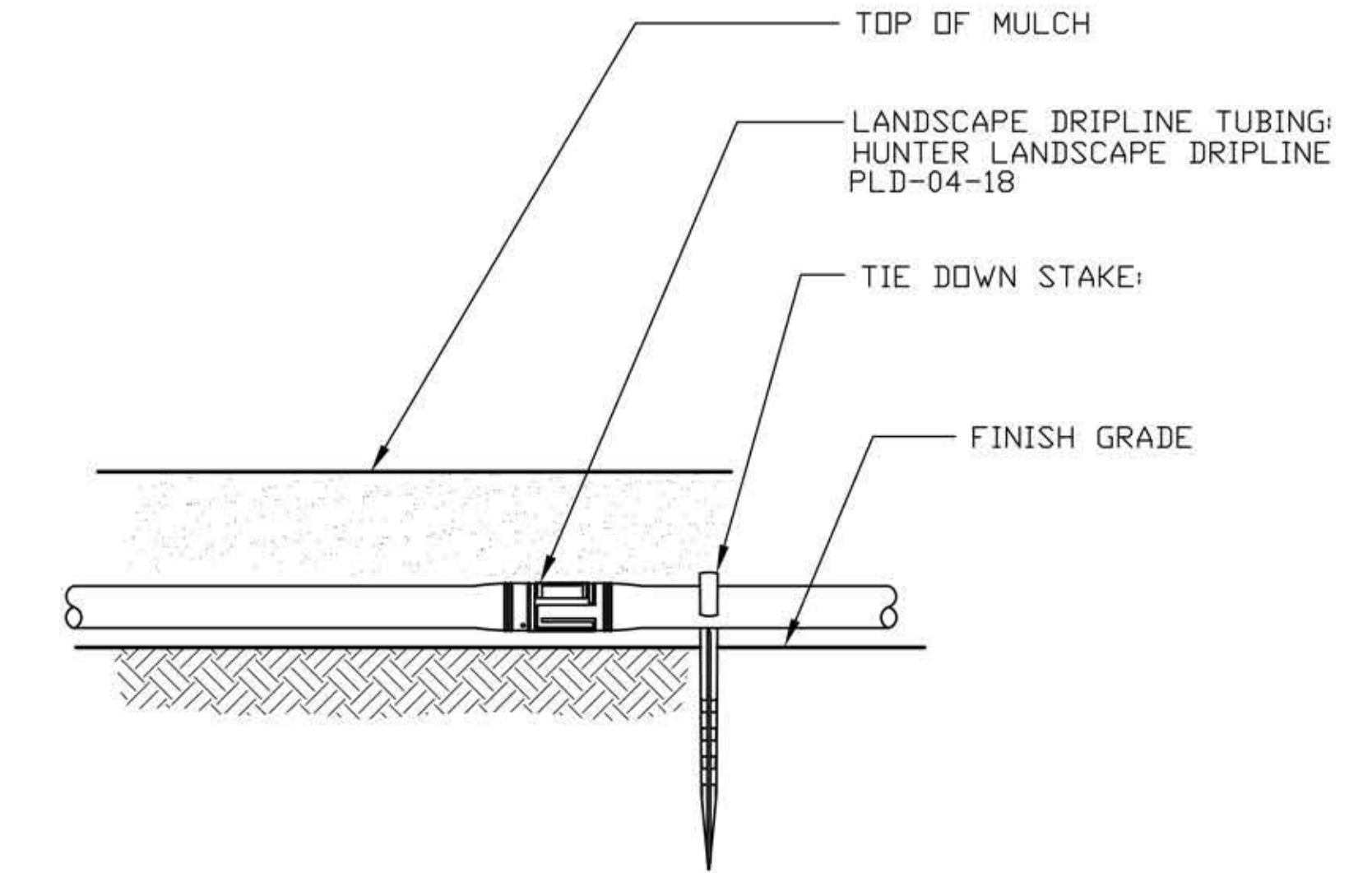


RECOMMENDED ECO MAT INSTALLATION
DEPTH (D):
TURF AREAS: 10cm - 20cm

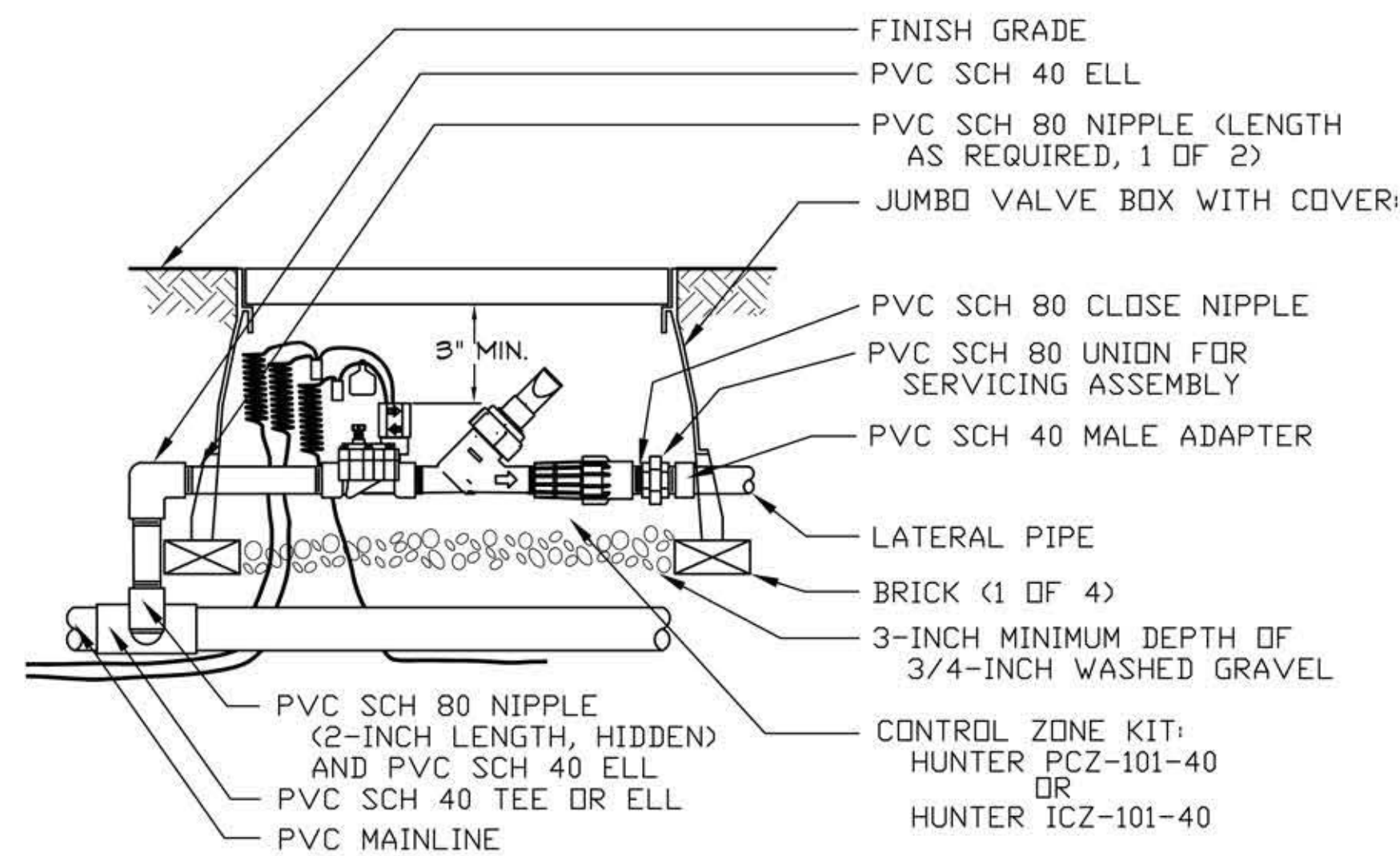
ECO MAT - SECTION
SCALE: N.T.S. IRRIGATION DETAIL



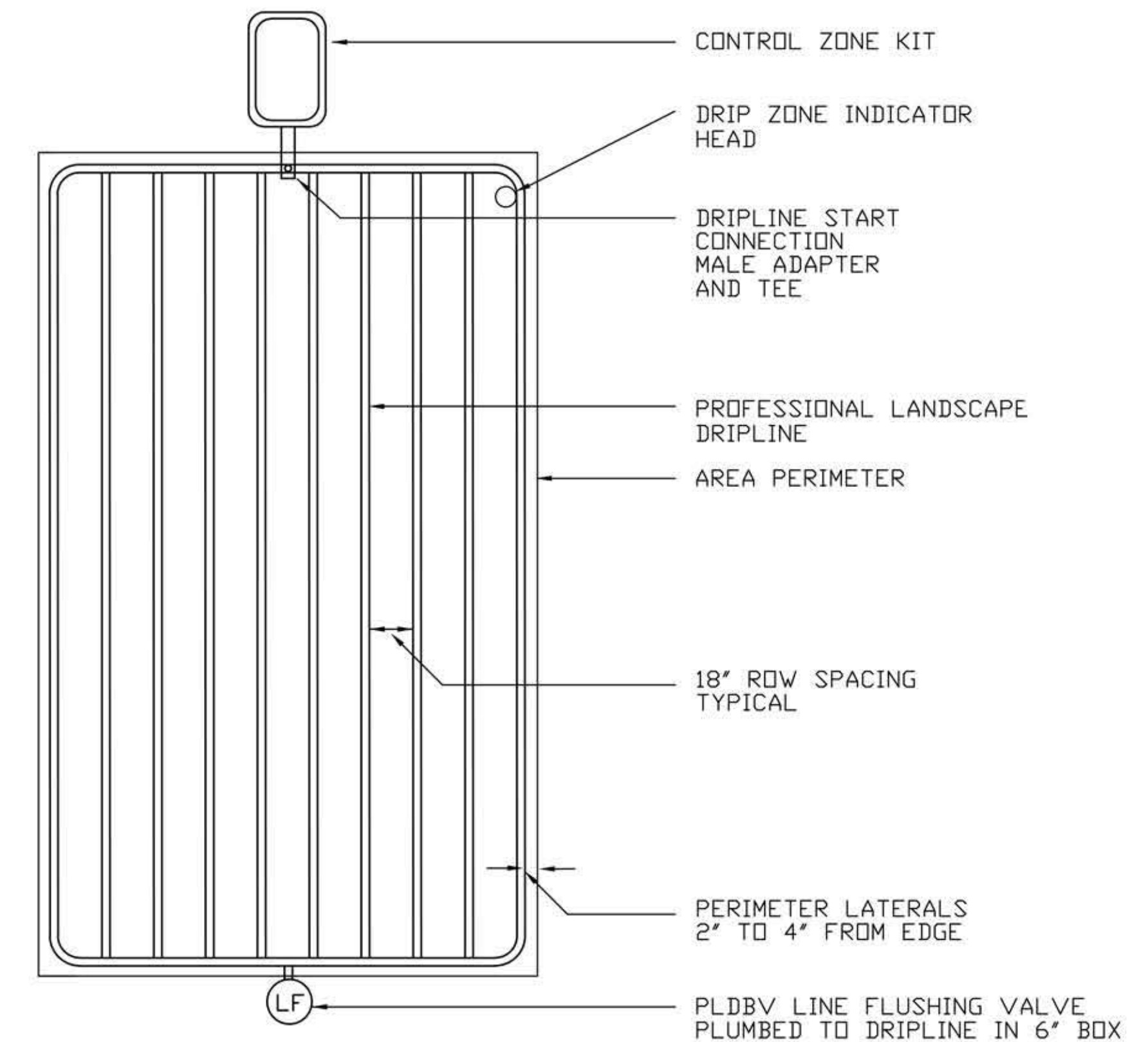
LINE FLUSHING VALVE
SECTION - NO SCALE



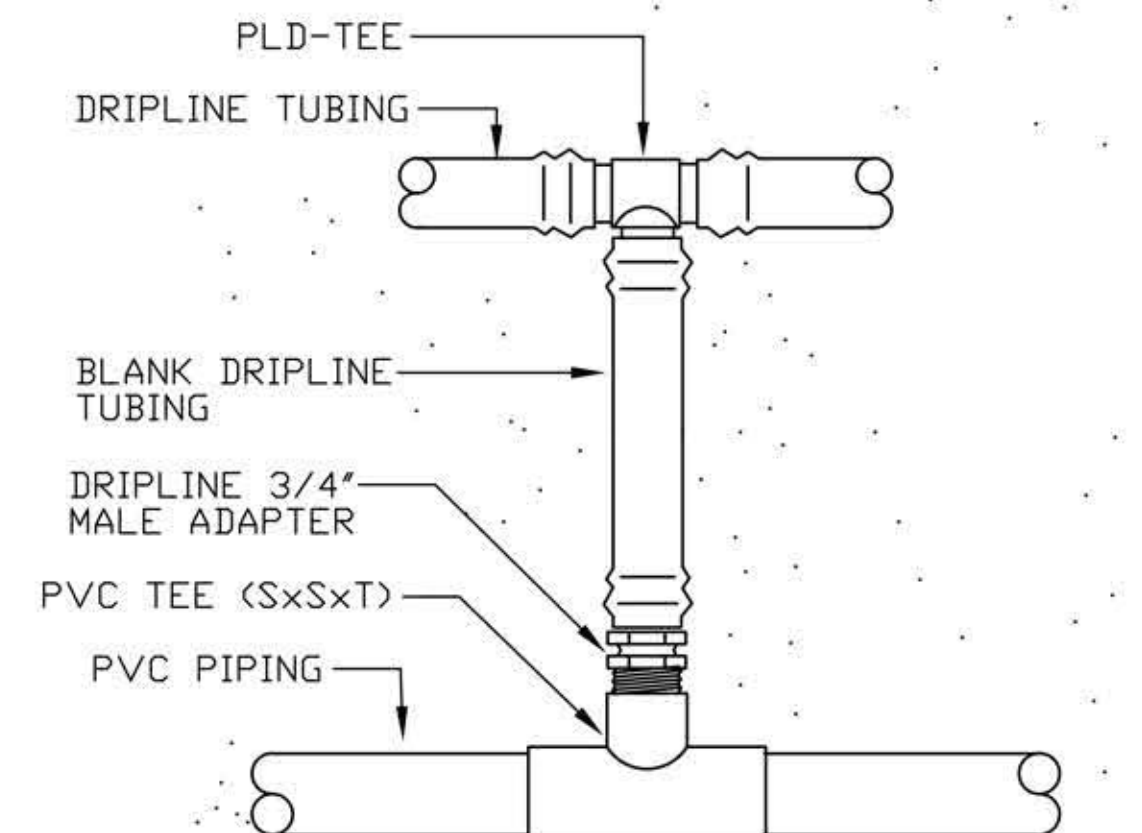
DRIPLINE ON GRADE
SCALE: NOT TO SCALE



FLOW CONTROL ZONE KIT
SCALE: NOT TO SCALE



Typical DRIPLINE END FEED LAYOUT
DETAIL - NO SCALE



DRIPLINE START CONNECTION
SECTION - NO SCALE



**TEXAS GUN
EXPERIENCE**
GRAPEVINE, TX

INTERIM REVIEW DOCUMENTS
NOT INTENDED FOR BIDDING
OR CONSTRUCTION
PURPOSES

12.01.17

no.	date	revision

100% BID

date: 12.01.2017

drawn by: GC

project no: 41-17

**DAVID McCASKILL
DESIGN GROUP**

250 Miron Drive
Southlake, Texas
e. david@dmccaskilldesign.com, t. 817.709.2084



sheet

IR.3

SHEET 3 OF 5

DRIP DETAILS

The work shown on this sheet is the sole property of the david mccaskill design group. The work shown on this sheet may not be used without express written permission from the david mccaskill design group. Any reproduction, modification or wrongful distribution of this sheet will infringe upon copyright laws.