

INTERIM REVIEW DOCUMENTS  
NOT INTENDED FOR BIDDING  
OR CONSTRUCTION  
PURPOSES

12.01.17

no.	date	revision

**100% BID**

**date: 12.01.2017**

**drawn by: GC**

**project no: 41-17**

**DAVID MCCASKILL  
DESIGN GROUP**

250 Miron Drive  
Southlake, Texas  
e. david@dmccaskilldesign.com, t. 817.709.2084



**sheet**

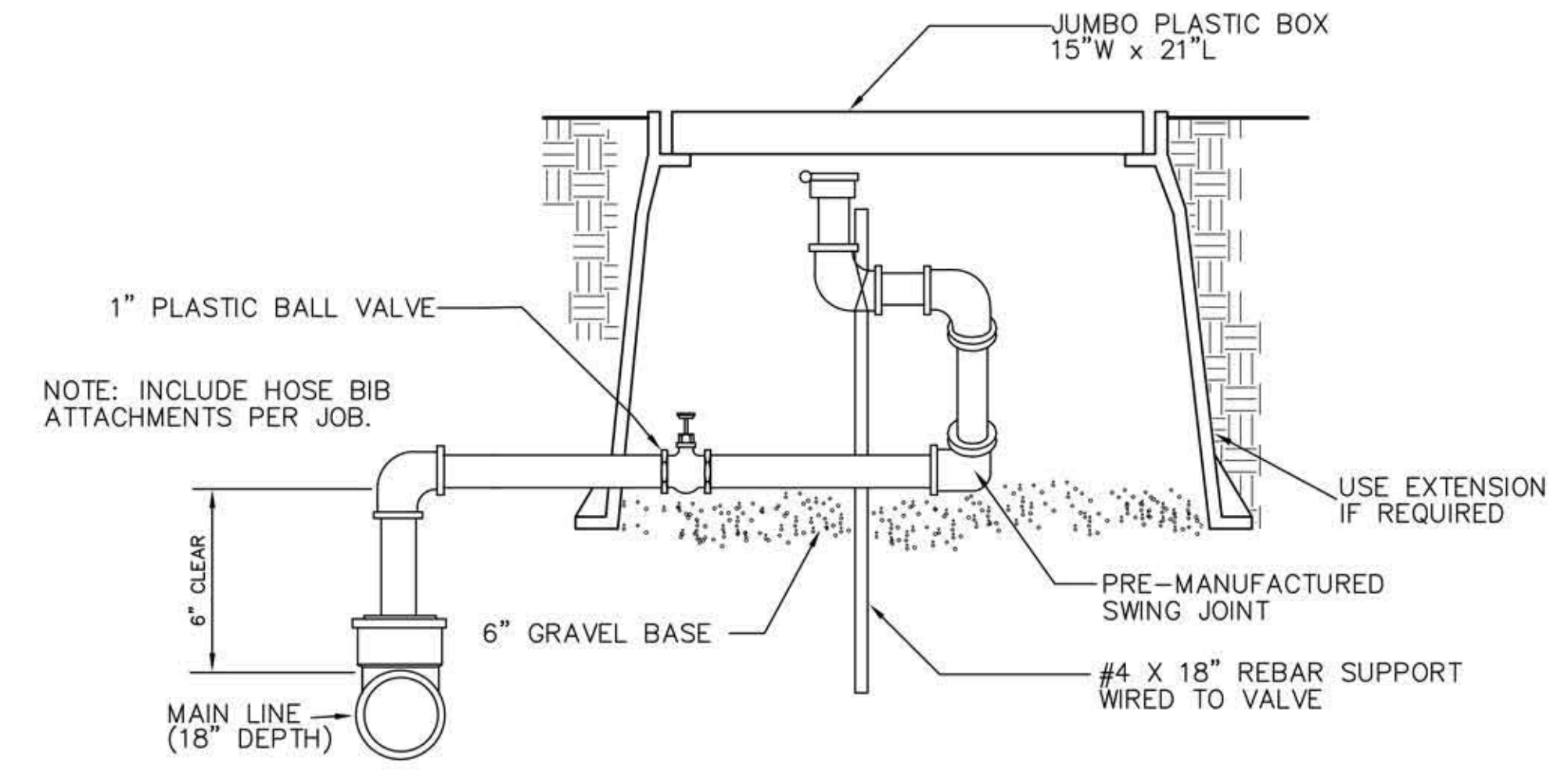
**IR.2**

**SHEET 2 OF 5**

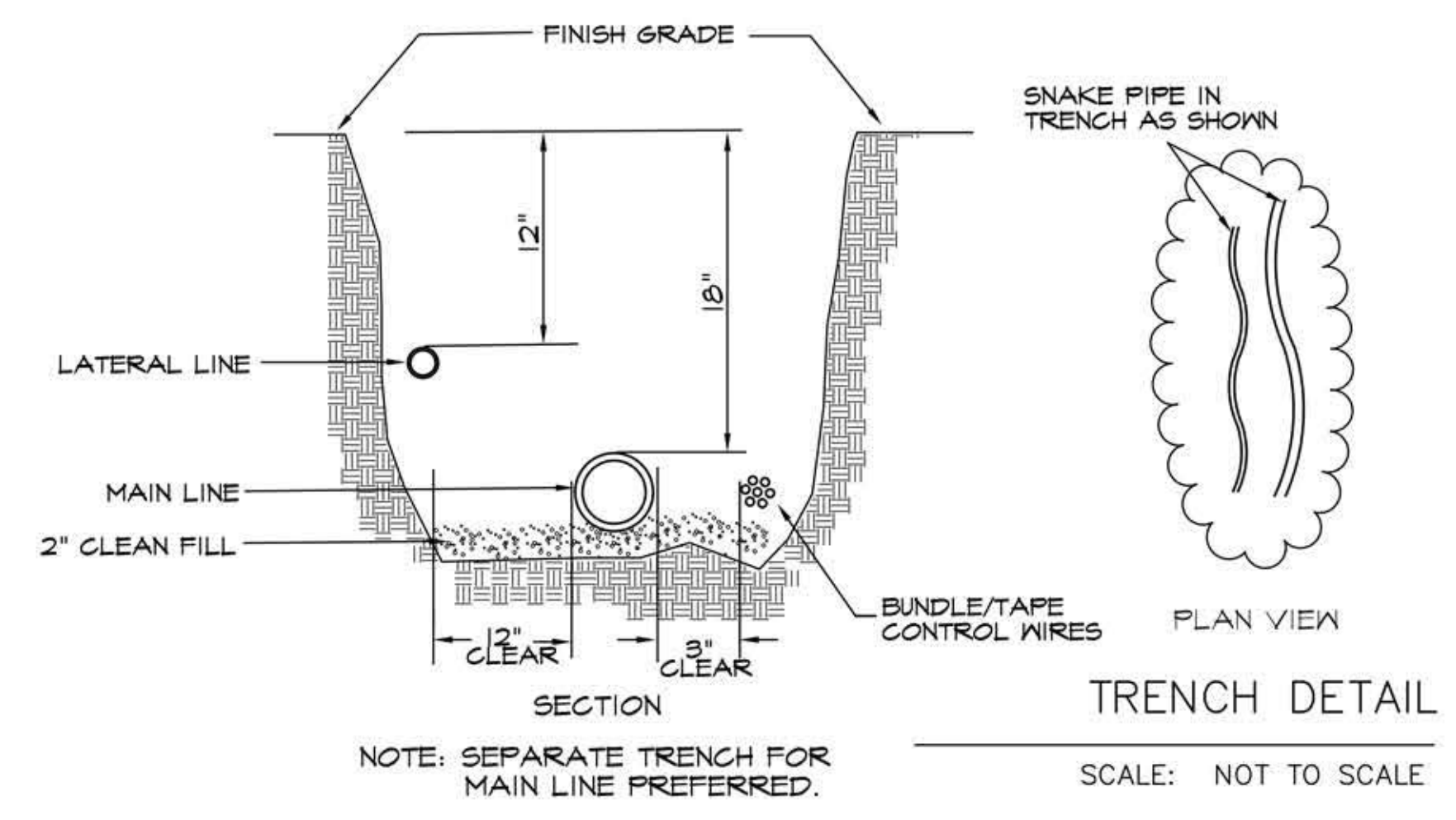
**Irrigation Equipment Table**

Qty	Sym	Equipment
17	⊕	HUNTER ICV (size as indicated) w/ACCUSYNC
1	⊠	HUNTER I-CORE CONTROLLER W/SOLAR SYNC
1	⊞	Pump by others
1	∟	1-1/2" FEBCO Double Check/Gate
1	⊙	1-1/2" FEBCO 650A Wye Strainer
10	⊕	1-1/2" In Line Ball Valve
1	⊞	1" Meter
7	⊕	QUICK COUPLER VALVE
3	⊕	HUNTER Pro-Spray Strip Pattern LCS/RCS/ES - 515 EST
27	⊕	HUNTER Pro-Spray Strip Pattern SS-530 SST
14	⊞	HUNTER Pro-Spray 8' Nozzle 8 (Brown) 180
8	⊕	HUNTER Pro-Spray 12' Nozzle 12 (Green) 180
10	⊕	HUNTER Pro-Spray 17' Nozzle 17 (Black) 090
17	⊕	HUNTER Pro-Spray 8' Nozzle 8 (Brown) 090
20	⊕	HUNTER Pro-Spray 17' Nozzle 17 (Black) 180
2	⊕	HUNTER Pro-Spray 15' Nozzle 15 (Black) 180
2	⊕	HUNTER Pro-Spray 15' Nozzle 15 (Black) 360
10	⊕	HUNTER PGJ-04-V 1.0 Nozzle ADJ
17	⊕	HUNTER PGJ-04-V 2.0 Nozzle ADJ
7	⊕	HUNTER PGJ-04-V 4.0 Nozzle ADJ
1	⊕	HUNTER Pro-Spray 12' Nozzle 12 (Green) 240
1	⊕	HUNTER Pro-Spray 10' Nozzle 10 (Red) 180
3	⊕	HUNTER Pro-Spray 12' Nozzle 12 (Green) 090
1	⊕	HUNTER Pro-Spray 10' Nozzle 10 (Red) 120
1	⊕	HUNTER Pro-Spray 10' Nozzle 10 (Red) 090
5	⊕	HUNTER PGP-ADV Blue Standard 2.5 Nozzle ADJ
3	⊕	HUNTER PGP-ADV Blue Standard 5.0 Nozzle ADJ
2	⊕	HUNTER Pro-Spray 15' Nozzle 15 (Black) 120

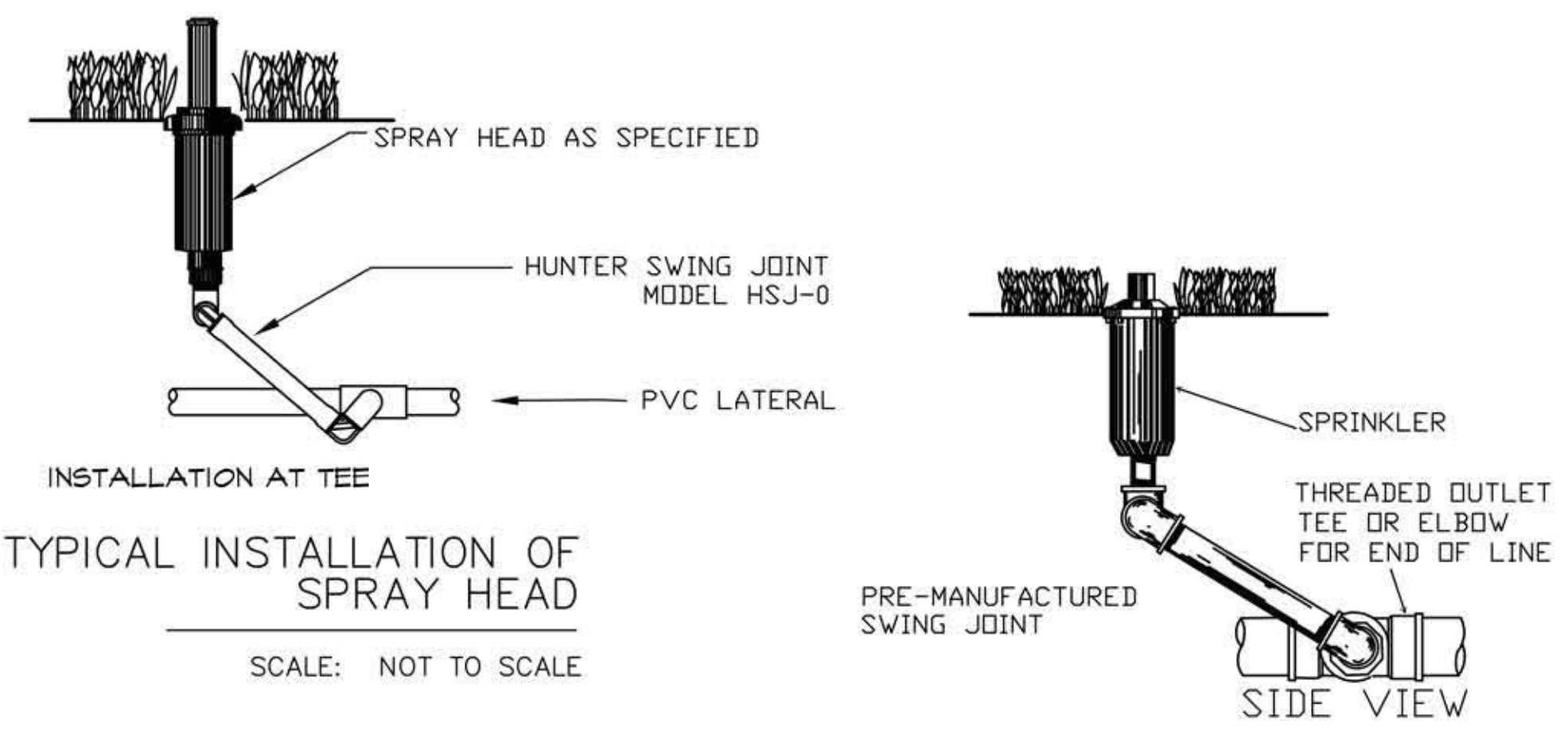
- NOTE: FOR ALL DRIP CIRCUITS USE
- HUNTER PROFESSIONAL LANDSCAPE DRIPLINE PLD-04-18 (18" O.C.)
  - ECO-MAT 17 MM. INSTALL BELOW GRADE PER MFG INSTRUCTIONS. (TYP. ALL DRIP ZONES IN TURF)
  - STAPLES EVERY 5'
  - CONTROL ZONE KIT PCZ-101-40 (TYP ALL ZONES UNDER 15 GPM)
  - CONTROL ZONE KIT ICZ-101-40 (TYP ALL ZONES 15 GPM AND OVER)
  - PLDBV FLUSH VALVE LOCATED IN 6" BOX
- NOTE: 3/4" PVC UNDER PAVING ON ALL DRIP CIRCUITS. DO NOT RUN EMITTER TUBING UNDER PAVING, WALLS, ETC.



**QUICK COUPLER VALVE**  
SCALE: NOT TO SCALE

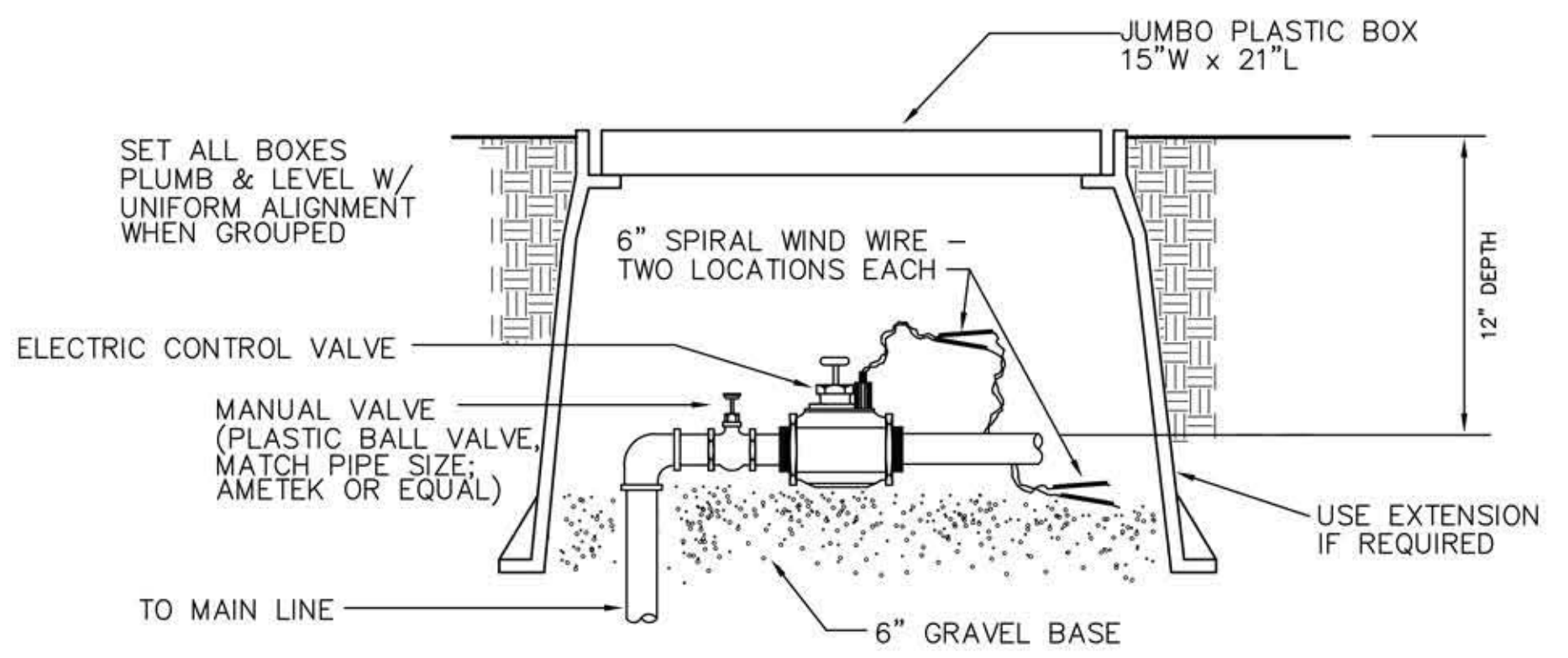


**TRENCH DETAIL**  
SCALE: NOT TO SCALE

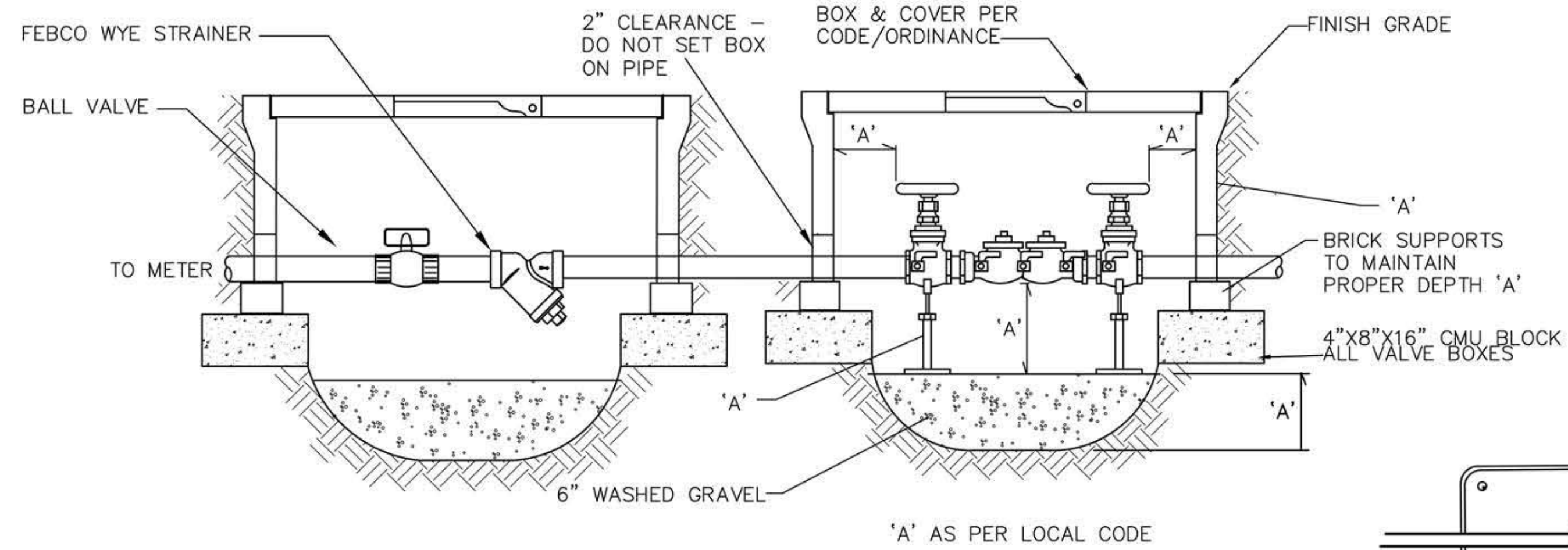


**TYPICAL INSTALLATION OF  
SPRAY HEAD**  
SCALE: NOT TO SCALE

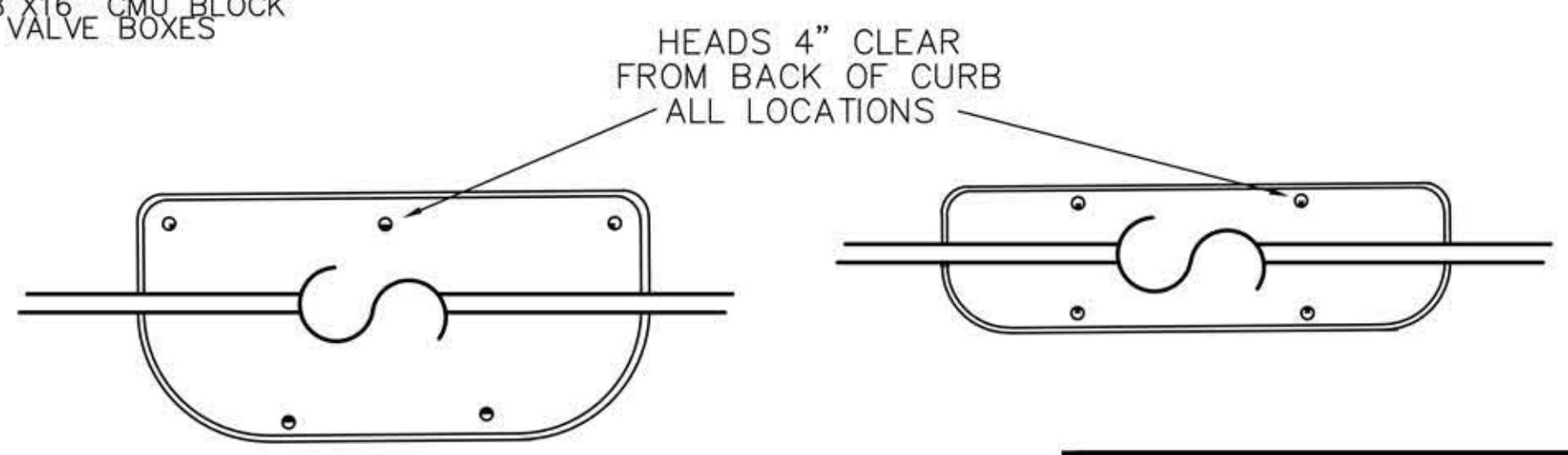
**TYPICAL INSTALLATION OF  
ROTARY SPRINKLER ON  
SWING-JOINT RISER**  
SCALE: NOT TO SCALE



**ELECTRIC CONTROL VALVE**  
SCALE: NOT TO SCALE



**TYPICAL INSTALLATION  
DOUBLE CHECK VALVE/WYE STRAINER ASSEMBLY**  
SCALE: NOT TO SCALE



**HEAD LAYOUT  
Plan View**  
SCALE: NOT TO SCALE

