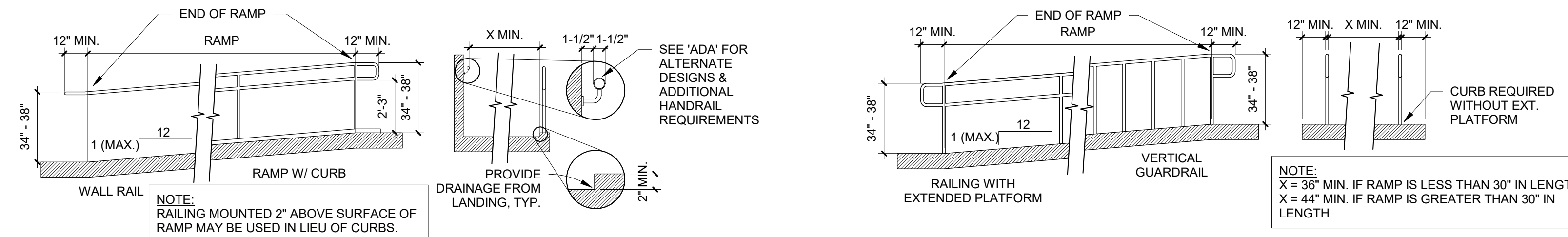


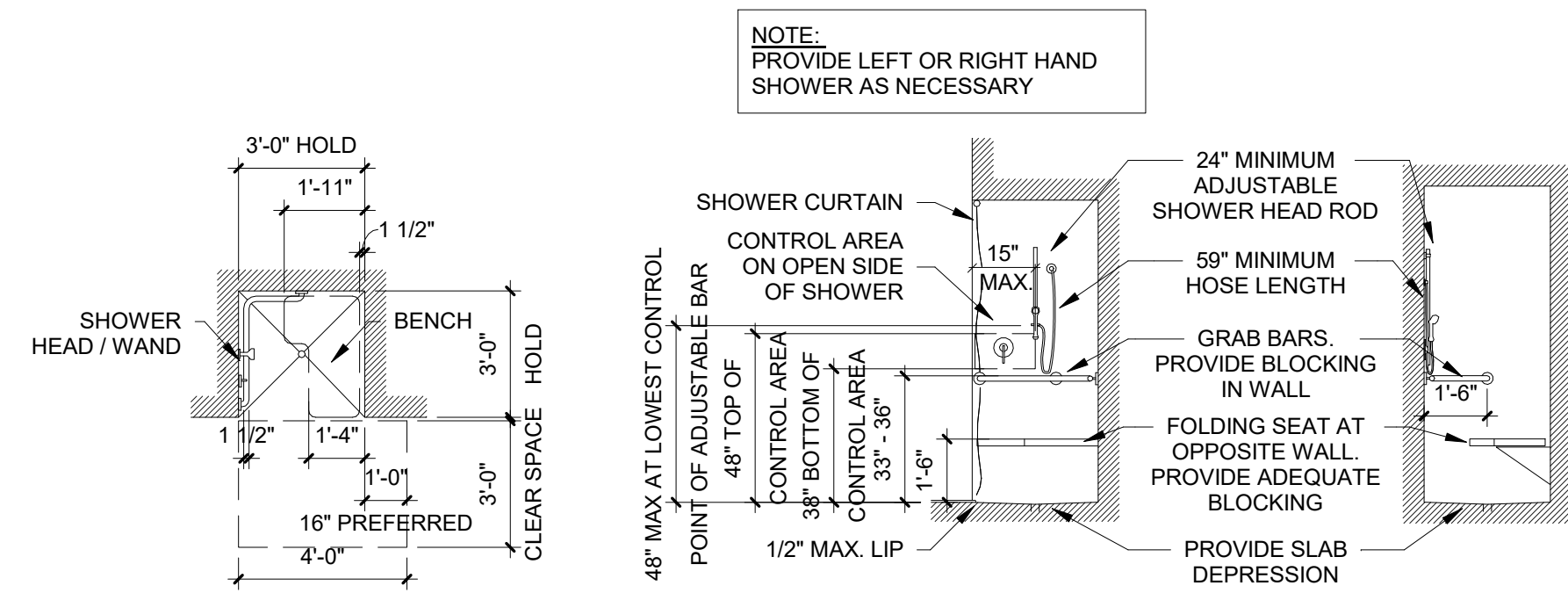
JIM THARP
01 DECEMBER 2017

DRAWINGS, SPECIFICATIONS AND OTHER DOCUMENTS, PREPARED BY OXLEY WILLIAMS THARP ARCHITECTS, PLLC ARE INSTRUMENTS OF SERVICE FOR USE SOLELY WITH RESPECT TO THIS PROJECT. THIS INCLUDES DOCUMENTS IN ELECTRONIC FORM. OXLEY WILLIAMS THARP ARCHITECTS, PLLC SHALL BE DEEMED THE AUTHORS AND OWNERS OF THEIR RESPECTIVE INSTRUMENTS OF SERVICE AND SHALL RETAIN ALL COMMON LAW, STATUTORY AND OTHER RESERVED RIGHTS, INCLUDING COPYRIGHTS. THE INSTRUMENTS OF SERVICE SHALL NOT BE USED BY THE OWNER FOR FUTURE ADDITIONS OR ALTERATIONS TO THIS PROJECT OR FOR OTHER PROJECTS, WITHOUT THE PRIOR WRITTEN AGREEMENT OF OXLEY WILLIAMS THARP ARCHITECTS, PLLC. ANY UNAUTHORIZED USE OF THE INSTRUMENTS OF SERVICE SHALL BE WITHOUT LIABILITY TO OXLEY WILLIAMS THARP ARCHITECTS, PLLC AND ITS CONSULTANTS.

Revision Schedule		
Rev. #	Revision Description	Revision Date

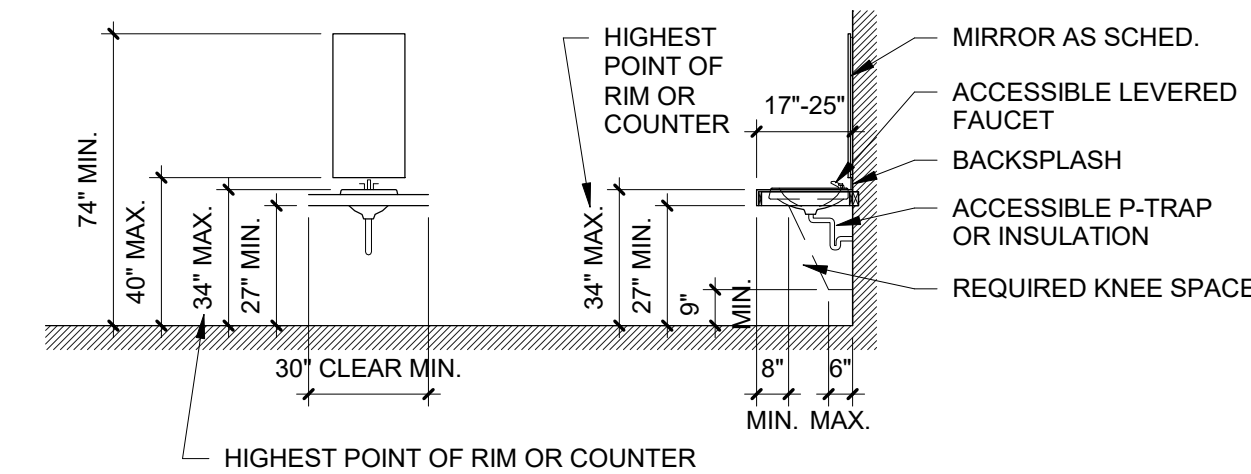


RAMP | 9

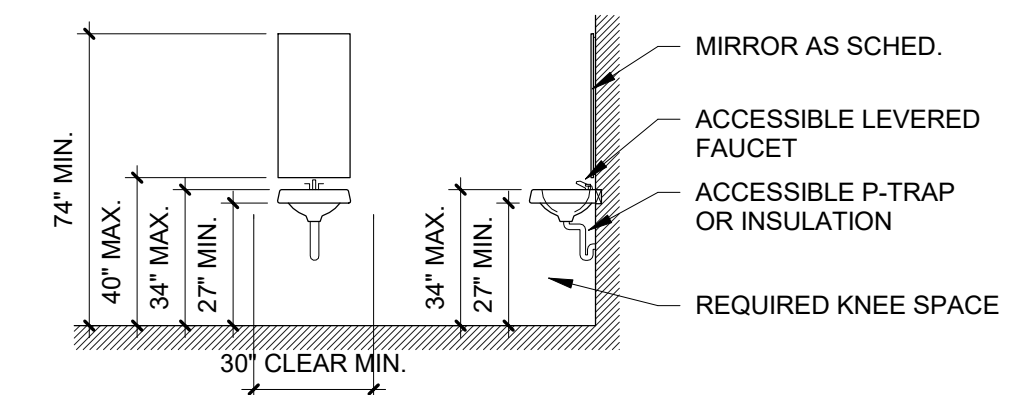


SHOWER | 9

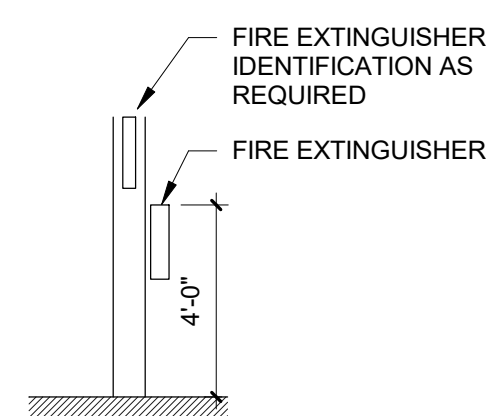
REFER TO TAS CHAPTER 608



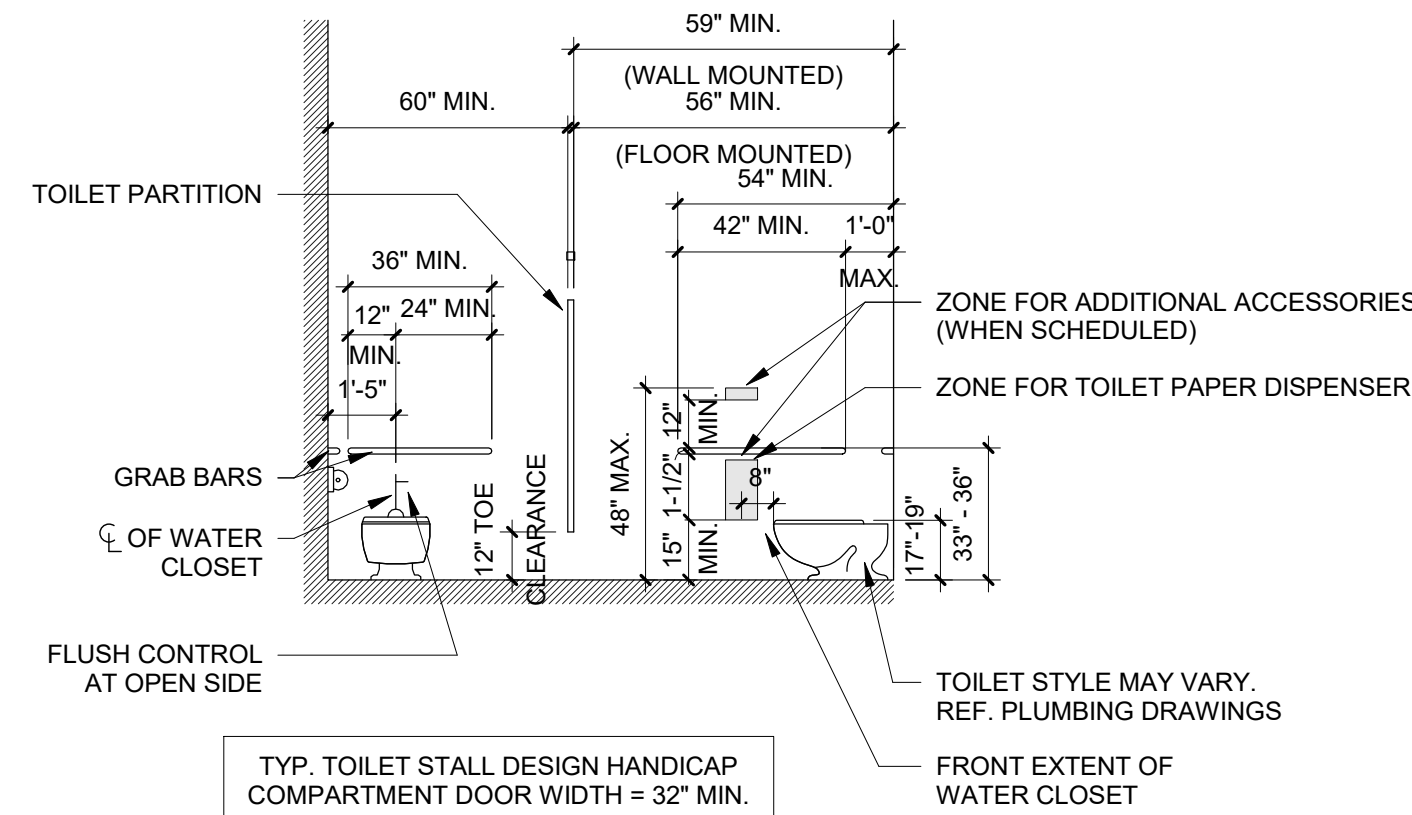
LAVATORY (COUNTER) | 8



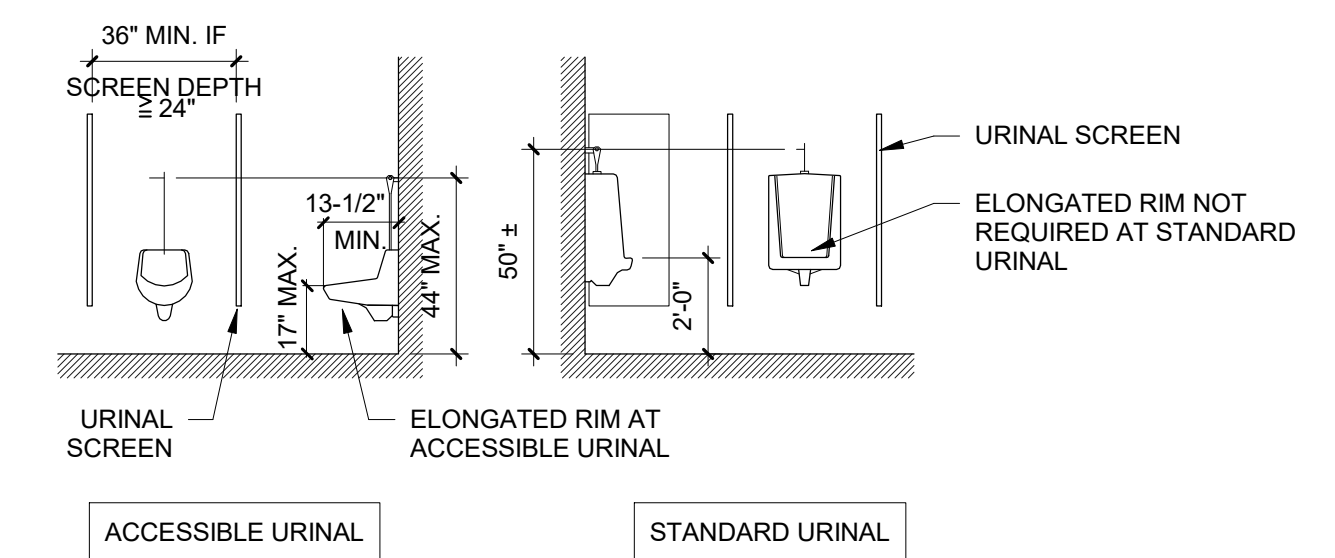
LAVATORY (WALL HUNG) | 7



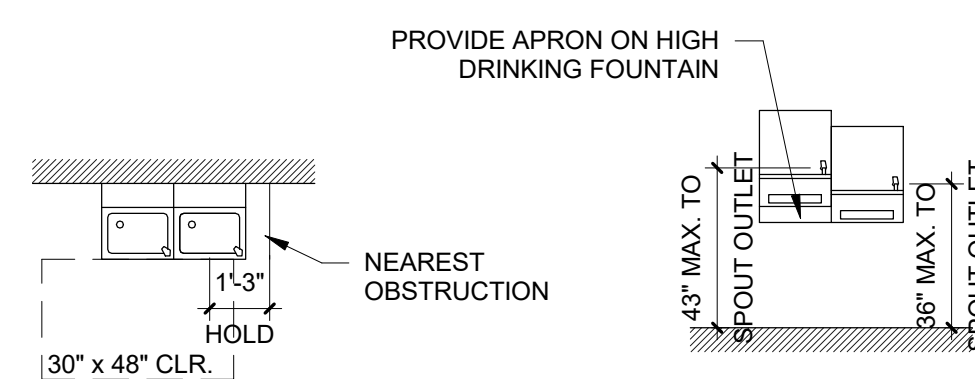
FIRE EXTINGUISHERS | 6



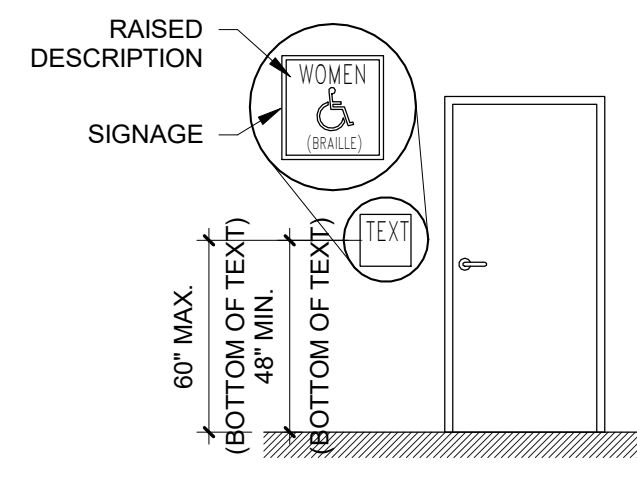
TOILETS | 5



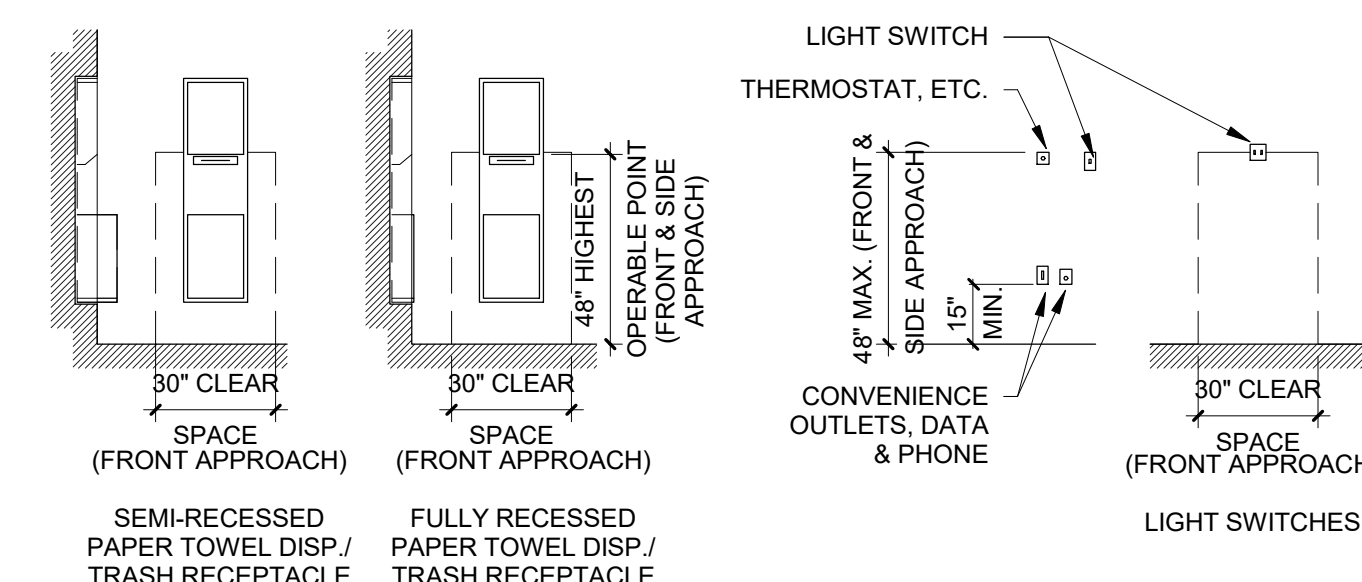
URINALS | 4



DRINKING FOUNTAINS | 3



SIGNAGE | 2



CONTROLS AND OPERATING MECHANISMS | 1

- NOTES:**
- REF. ENLARGED PLANS, DETAILS, AND PLUMBING DRAWINGS FOR EXACT FIXTURES AND ACCESSORIES USED.
 - IF USED, ALL ALARMS SHALL COMPLY WITH 'TAS' CHAPTERS 215 AND 702.
 - CONTRACTOR SHALL BE RESPONSIBLE FOR COMPLIANCE WITH 'TEXAS ACCESSIBILITY STANDARDS' AND 'AMERICANS WITH DISABILITIES ACT'. 'TAS' TECHNICAL STANDARDS CAN BE VIEWED AT <http://www.tdir.texas.gov/ab/ab.html>
 - ALL DOOR OPENING FORCES SHALL COMPLY WITH 'TAS' CHAPTER 404.2.9. INTERIOR HINGED DOORS AND SLIDING OR FOLDING DOORS SHALL BE 5 LBF MAX.
 - NOTE: NOT ALL DETAILS ARE APPLICABLE TO THIS PROJECT.

OWT ARCHITECTS

509 PECAN STREET
SUITE 100
FORT WORTH, TX 76102
817.993.9844

www.owtarchitects.com

TEXAS GUN EXPERIENCE

1901 SOUTH MAIN STREET
GRAPEVINE, TEXAS 76051

2016-028-00
DECEMBER 01, 2017

ACCESSIBILITY DETAILS

G0.02