

Civil Engineer

SCHRIKEL, ROLLINS AND ASSOCIATES, INC.
1161 CORPORATE DRIVE WEST
SUITE 200
ARLINGTON, TEXAS 76006
P: 817.649.3216

Mechanical, Electrical, Plumbing Engineer

MEP SYSTEMS
918 DRAGON STREET
DALLAS, TEXAS 75207
P: 214.915.0929

Structural Engineer

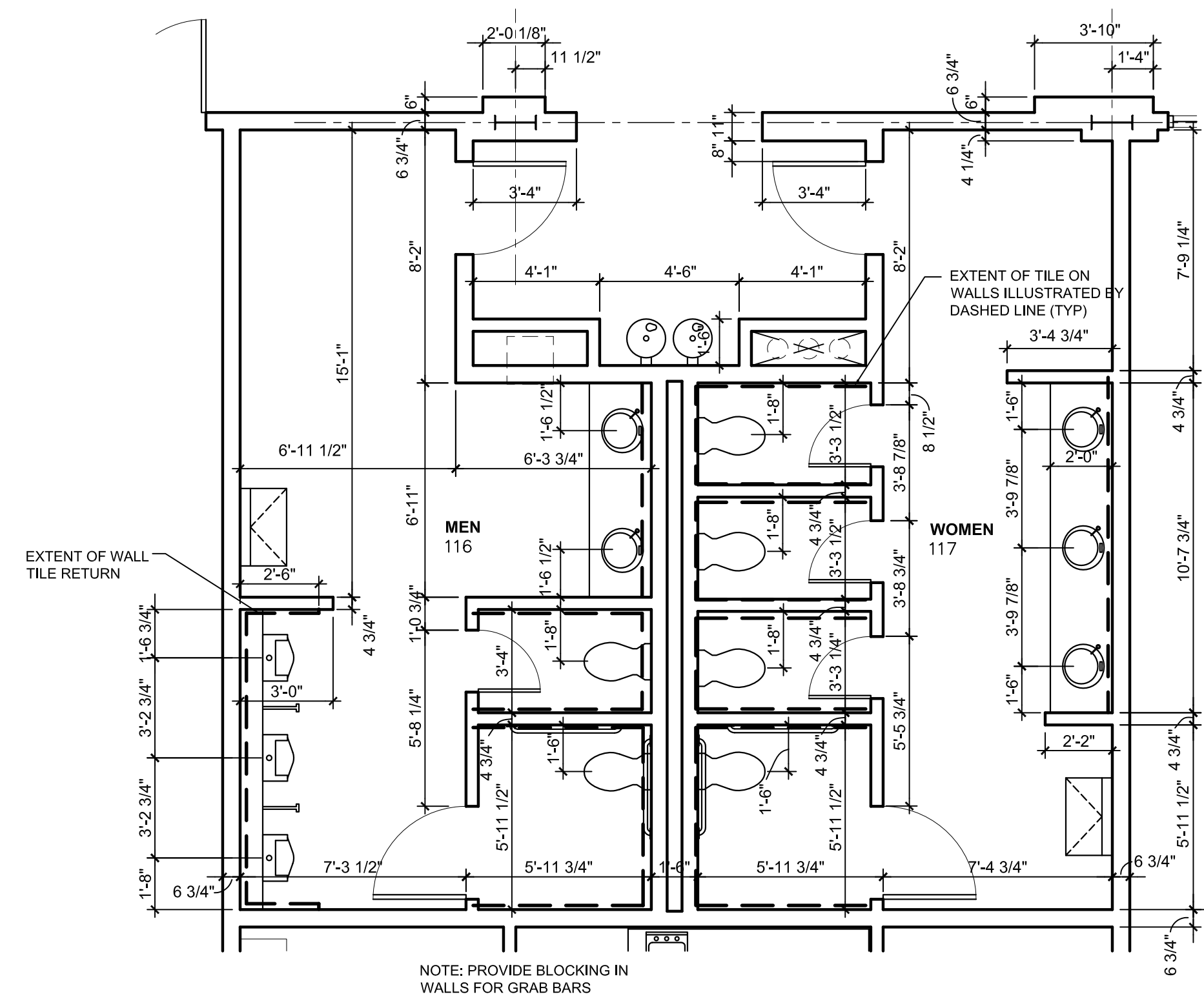
RONALD A. ROBERTS ASSOCIATES, INC.
2948 N. STEMMONS FREEWAY
DALLAS, TEXAS 75247
P: 214.637.6299

Kitchen Consultant

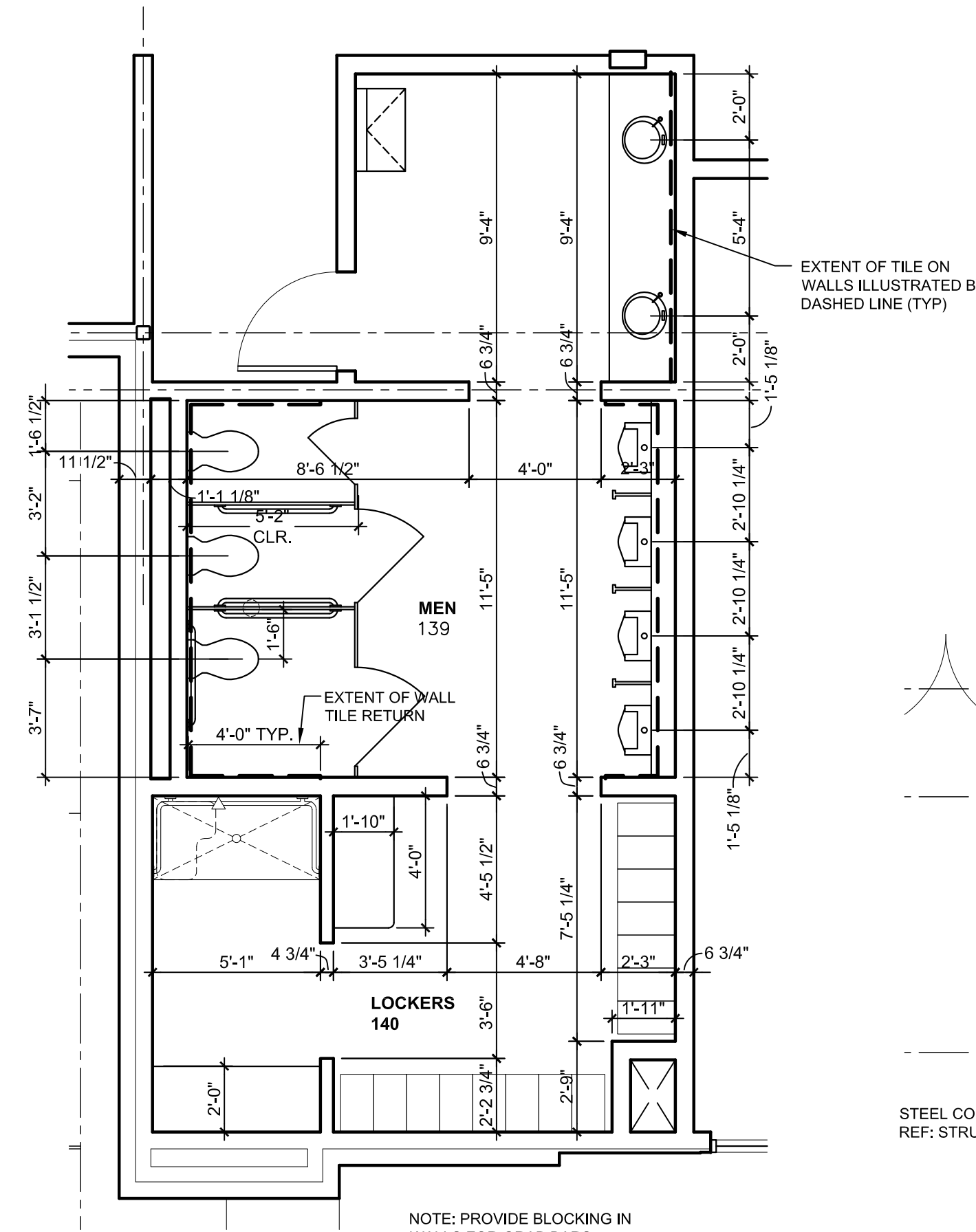
PROFITABLE FOOD FACILITIES
14026 DONERT DRIVE
POWAY, CALIFORNIA 92064
P: 958.748.7333

A/V Consultant

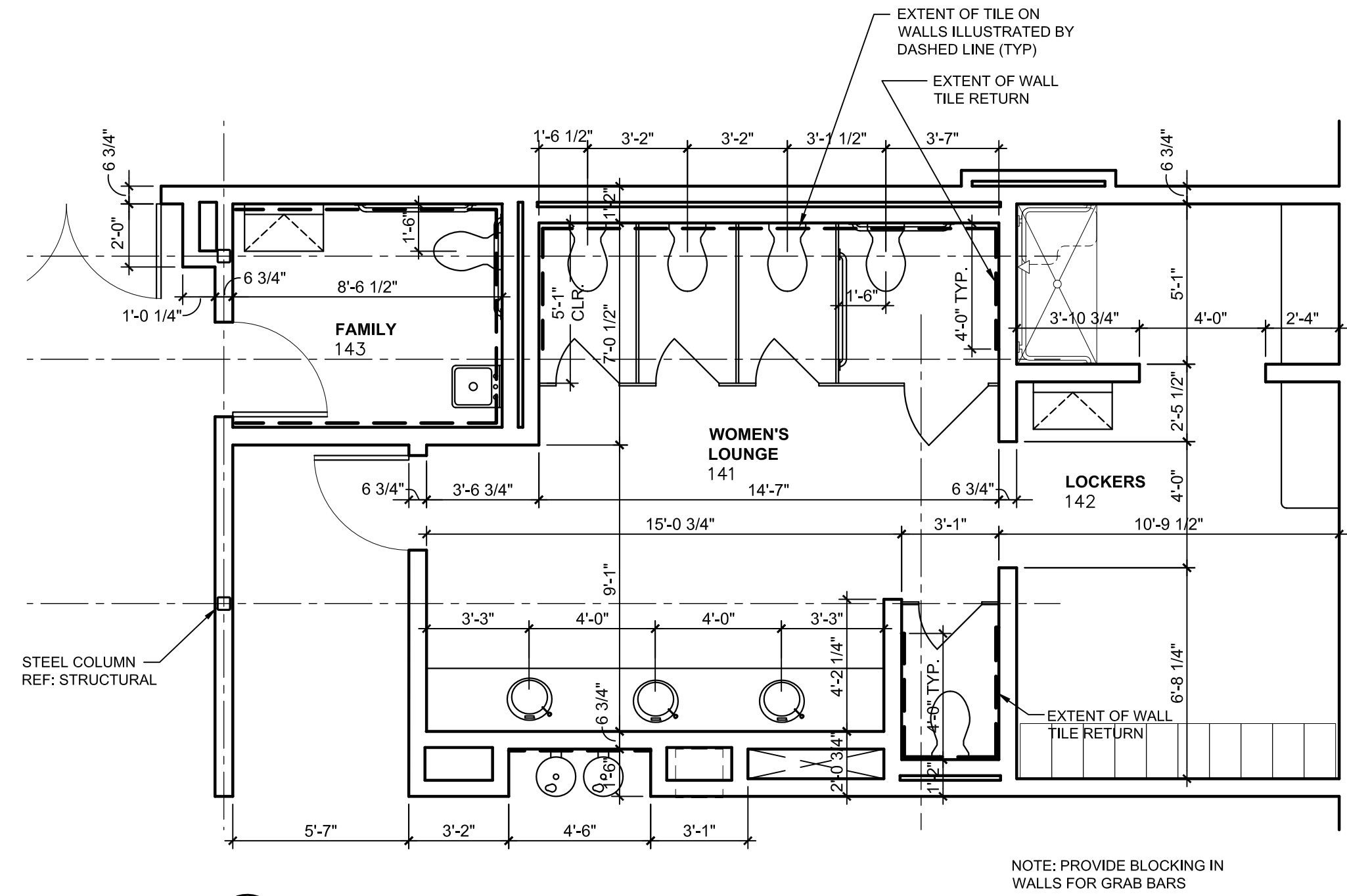
ACHIEVE AV, INC.
730 WARD DR.
CEDAR HILL, TEXAS 75104
P: 214.884.9951



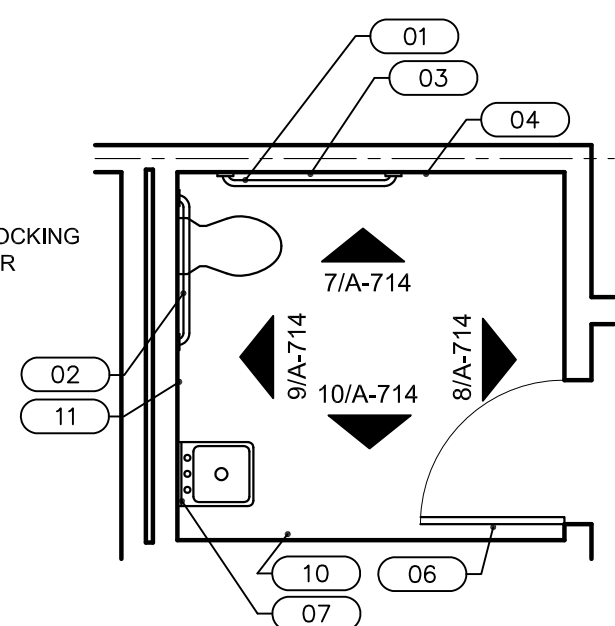
9 ENLARGED MEN'S 116 AND WOMEN'S 117 RESTROOM PLANS
SCALE: 1/4" = 1'-0"



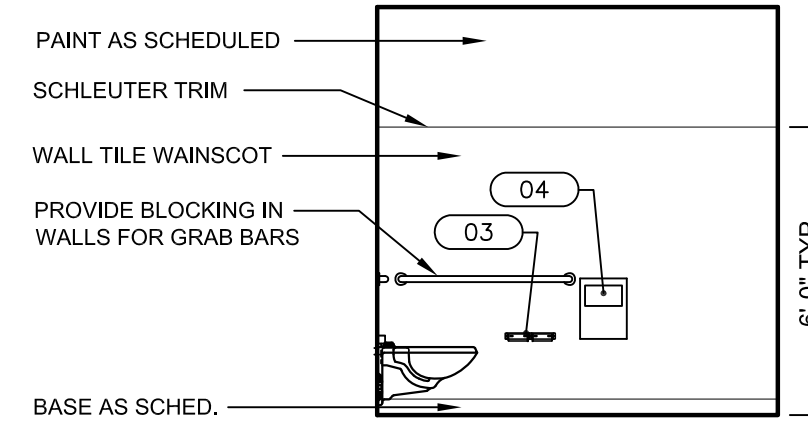
8 ENLARGED MEN'S RESTROOM 139 PLAN
SCALE: 1/4" = 1'-0"



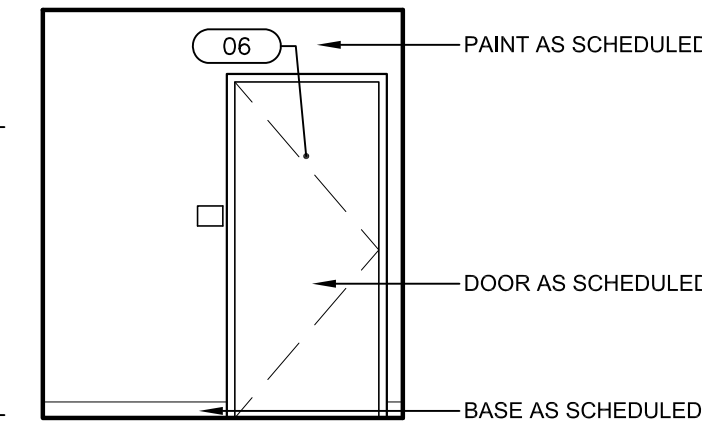
7 ENLARGED WOMEN'S RESTROOM 141 PLAN
SCALE: 1/4" = 1'-0"



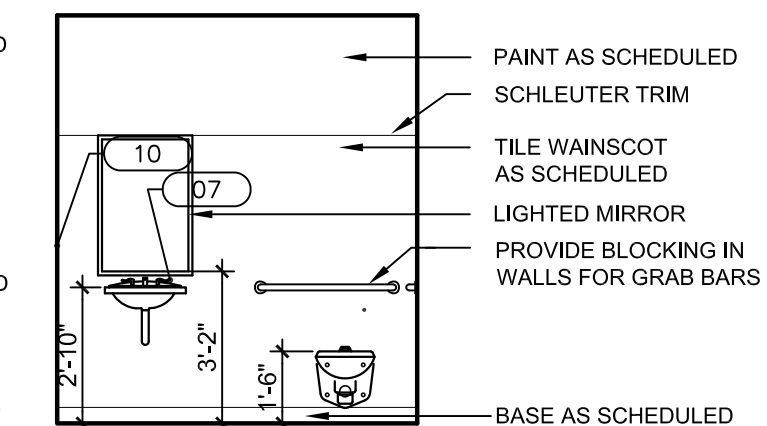
6 ENLARGED TOILET 122
SCALE: 1/4" = 1'-0"



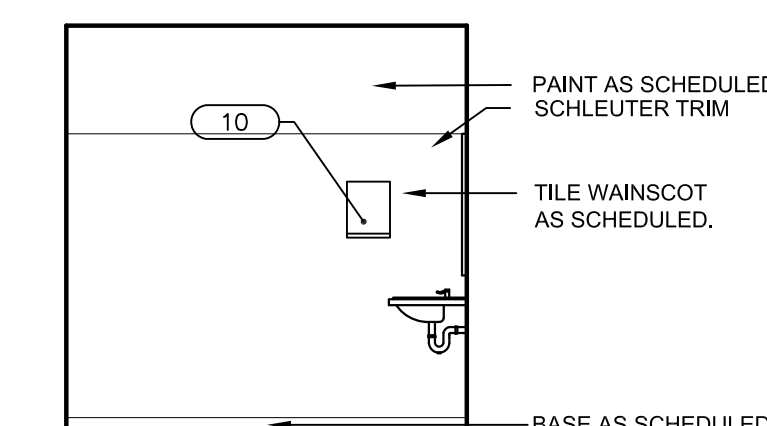
7 ELEVATION
SCALE: 1/4" = 1'-0"



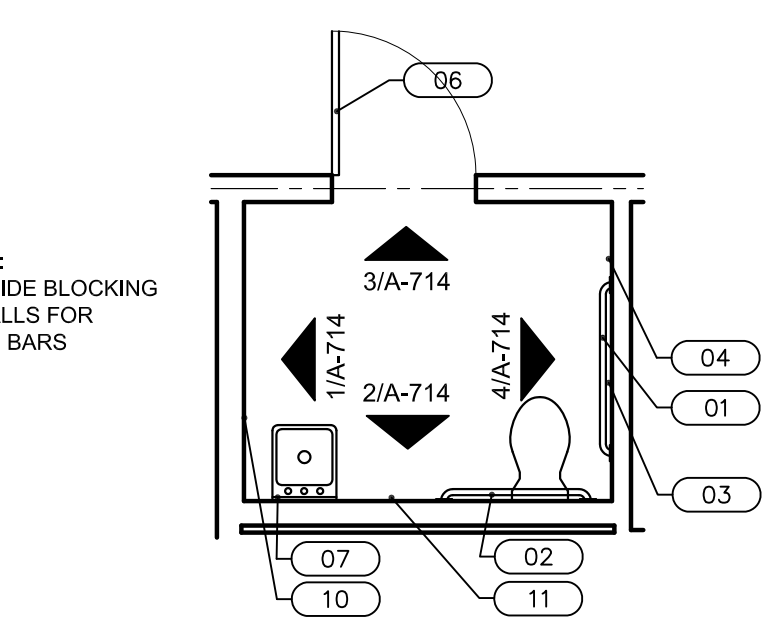
8 ELEVATION
SCALE: 1/4" = 1'-0"



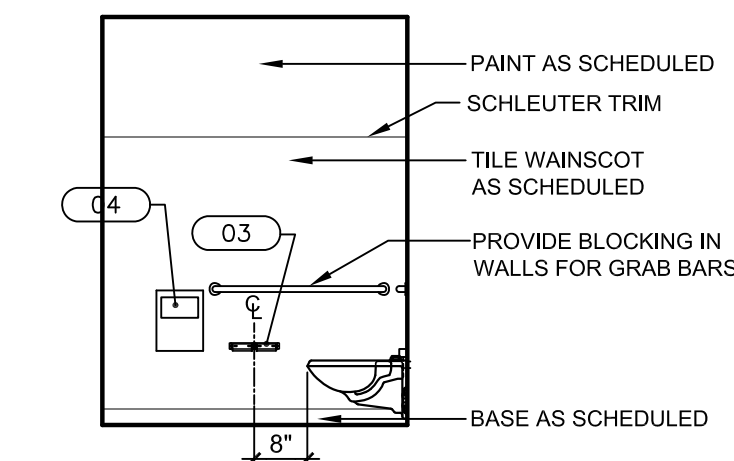
9 ELEVATION
SCALE: 1/4" = 1'-0"



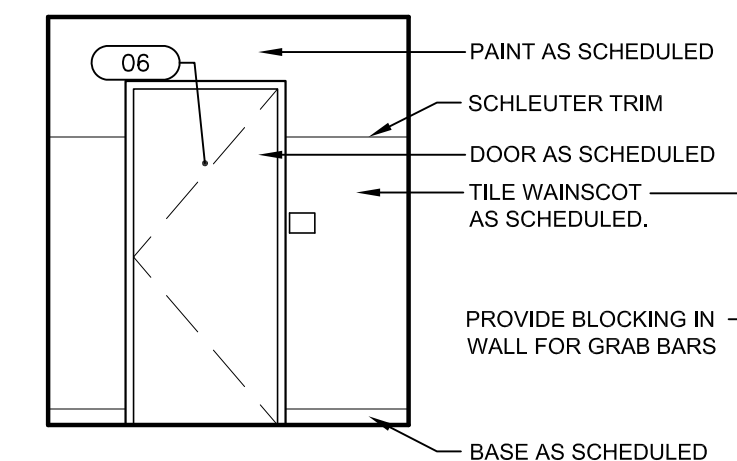
10 ELEVATION
SCALE: 1/4" = 1'-0"



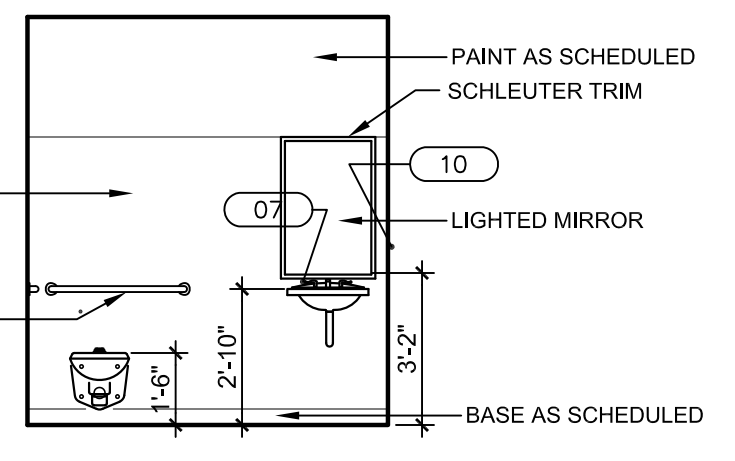
5 ENLARGED TOILET 126
SCALE: 1/4" = 1'-0"



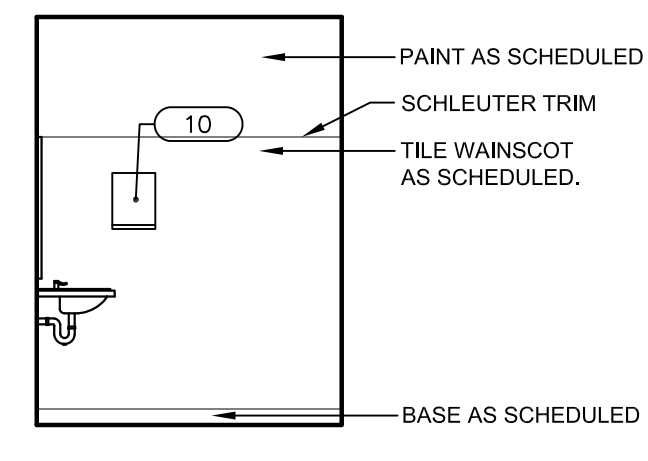
4 ELEVATION
SCALE: 1/4" = 1'-0"



3 ELEVATION
SCALE: 1/4" = 1'-0"



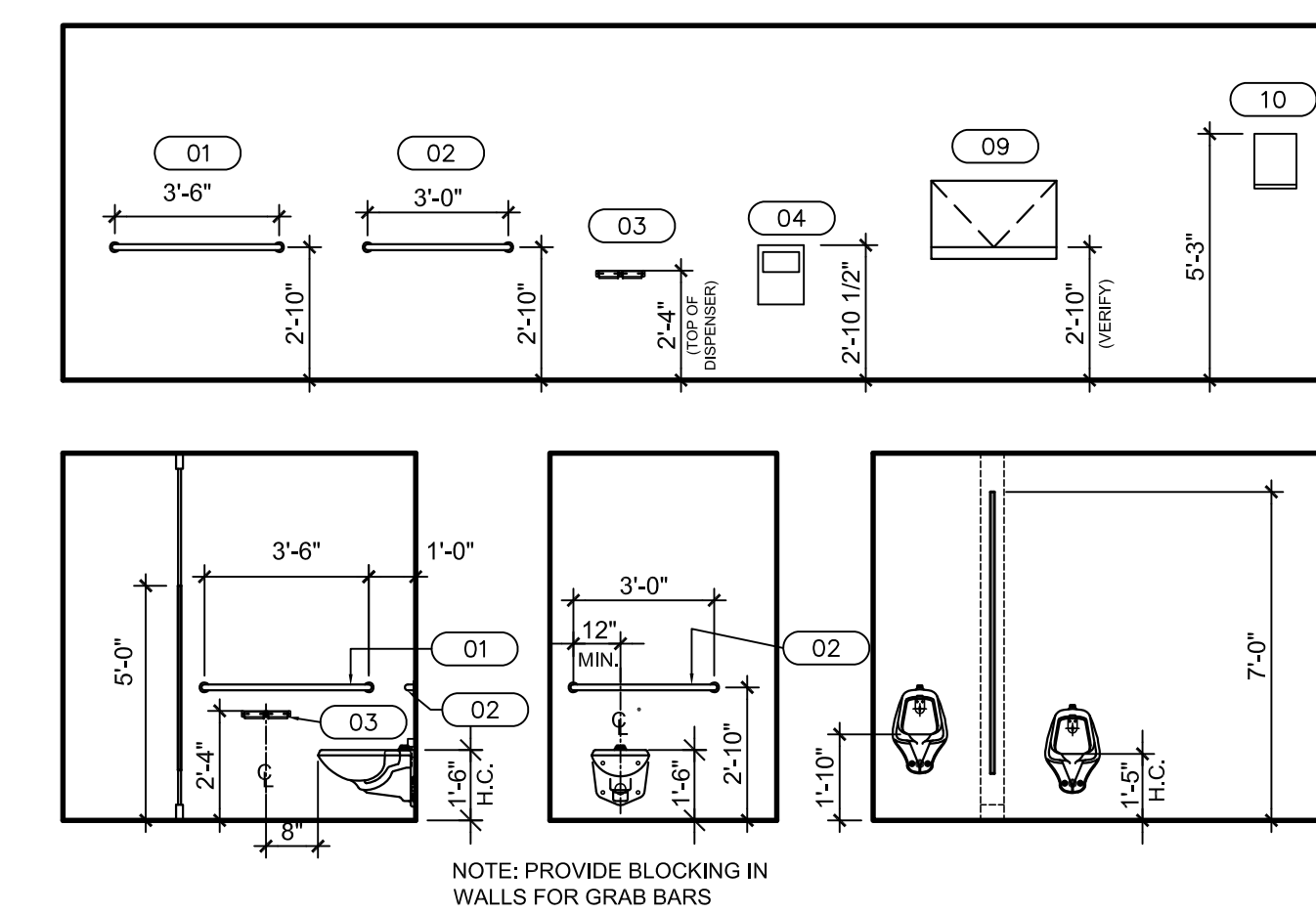
2 ELEVATION
SCALE: 1/4" = 1'-0"



1 ELEVATION
SCALE: 1/4" = 1'-0"

CORRIDOR
137

TOILET ACCESSORY SCHEDULE		
NOTE	ACCESSORY	MOUNTING HEIGHTS-VERIFY WITH RFP
(01)	GRAB BAR TYPE I: MODEL B-5806 X 42"	34" A.F.F. TO CENTER LINE OF GRAB BAR
(02)	GRAB BAR TYPE II: MODEL B-5806 X 36"	34" A.F.F. TO CENTER LINE OF GRAB BAR
(03)	SURFACE MOUNTED TISSUE DISPENSER - MODEL B-2740	28" A.F.F. TO TOP
(04)	RECESSED SANITARY NAPKIN DISPOSAL - MODEL B-35303	34 1/2" A.F.F. TO TOP OF UNIT
(05)	DUAL ACCESS SANITARY NAPKIN DISPOSAL - MODEL B-354	34" A.F.F. TO TOP OF UNIT
(06)	ROBE HOOK - MODEL B-671	SEE ELEVATIONS FOR HEIGHTS
(07)	COUNTER MOUNTED SOAP DISPENSER - MODEL B-422	
(08)	SURFACE-MOUNTED DIAPER CHANGING STATION, KB110-SSWM	34" A.F.F. TO TOP OF OPEN TABLE (VERIFY)
(09)	AUTOMATIC ELECTRIC ROLL PAPER TOWEL DISPENSER BY OWNER	63" A.F.F. TO TOP OF UNIT (VERIFY)
(10)	SURFACE MOUNTED TOILET-SEAT-COVER DISPENSER	37 1/2" A.F.F. TO CENTER LINE OF DISPENSING LINE
ALL PRODUCTS SPECIFIED FROM BOBRICK INDUSTRIES.		



TOILET ACCESSORY TYPICAL MOUNTING HEIGHTS
SCALE: 1/4" = 1'-0"



CHESTER W. DITTO GOLF COURSE CLUBHOUSE
CITY OF ARLINGTON
801 BROWN BLVD - ARLINGTON, TX 76011

No. | Date

Revisions

Project No.
21538.00

Drawn
- K.H.
- D.W.M.
- K.L.
- K.M.

Architect

Checked
- MDS

Approved

Engineer

Key:

CONSTRUCTION DOCUMENTS

Title:
ENLARGED TOILET PLANS, ELEVATIONS AND EQUIPMENT

Drawing No.

A-714

Issue Date
OCTOBER 25, 2017