

Civil Engineer
SCHRIKEL, ROLLINS
AND ASSOCIATES, INC.
1161 CORPORATE DRIVE WEST
SUITE 200
ARLINGTON, TEXAS 76006
P: 817.649.3216

**Mechanical, Electrical,
Plumbing Engineer**
MEP SYSTEMS
918 DRAGON STREET
DALLAS, TEXAS 75207
P: 214.915.0929

Structural Engineer
RONALD A. ROBERTS ASSOCIATES, INC.
2948 N. STEMMONS FREEWAY
DALLAS, TEXAS 75247
P: 214.637.6299

Kitchen Consultant
PROFITABLE FOOD FACILITIES
14026 Donerl Drive
POWAY, CALIFORNIA 92064
P: 658.748.7333

A/V Consultant
ACHIEVE AV, INC.
730 Wond Dr.
CEDAR HILL, TEXAS 75104
P: 214.884.9551

ARLINGTON
THE AMERICAN STAR CITY
**CHESTER W. DITTO GOLF COURSE
CLUBHOUSE**
CITY OF ARLINGTON
801 BROWN BLVD - ARLINGTON, TX 76011

No.	Date
Revisions	
Project No.	21538.00
Drawn	K.H.
D.W.M.	
K.L.	
K.M.	
Architect	10-25-17
Checked	MDS
Approved	
Engineer	

CONSTRUCTION DOCUMENTS

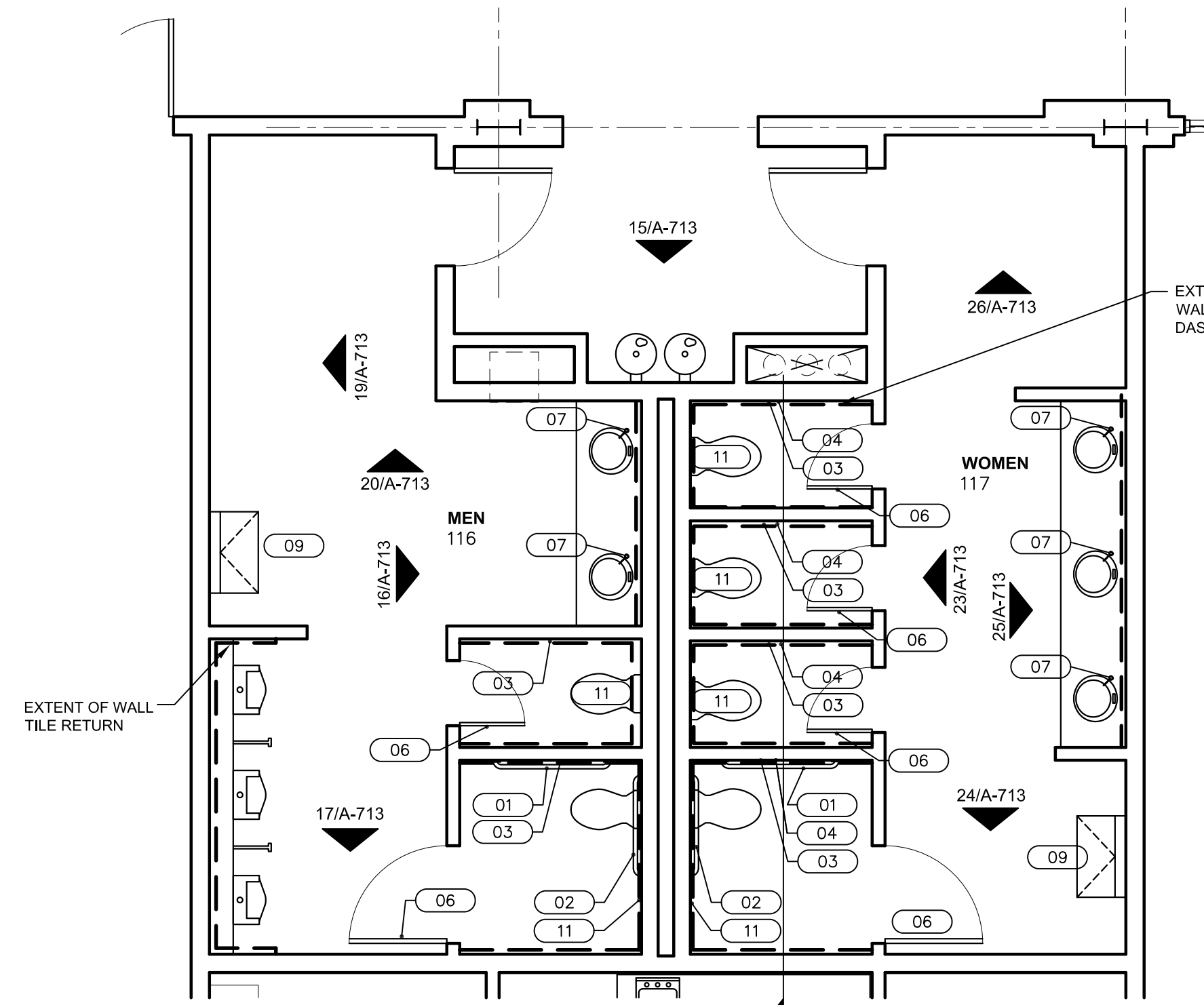
Title:
**ENLARGED TOILET
PLANS &
ELEVATIONS**

Drawing No.
A-713

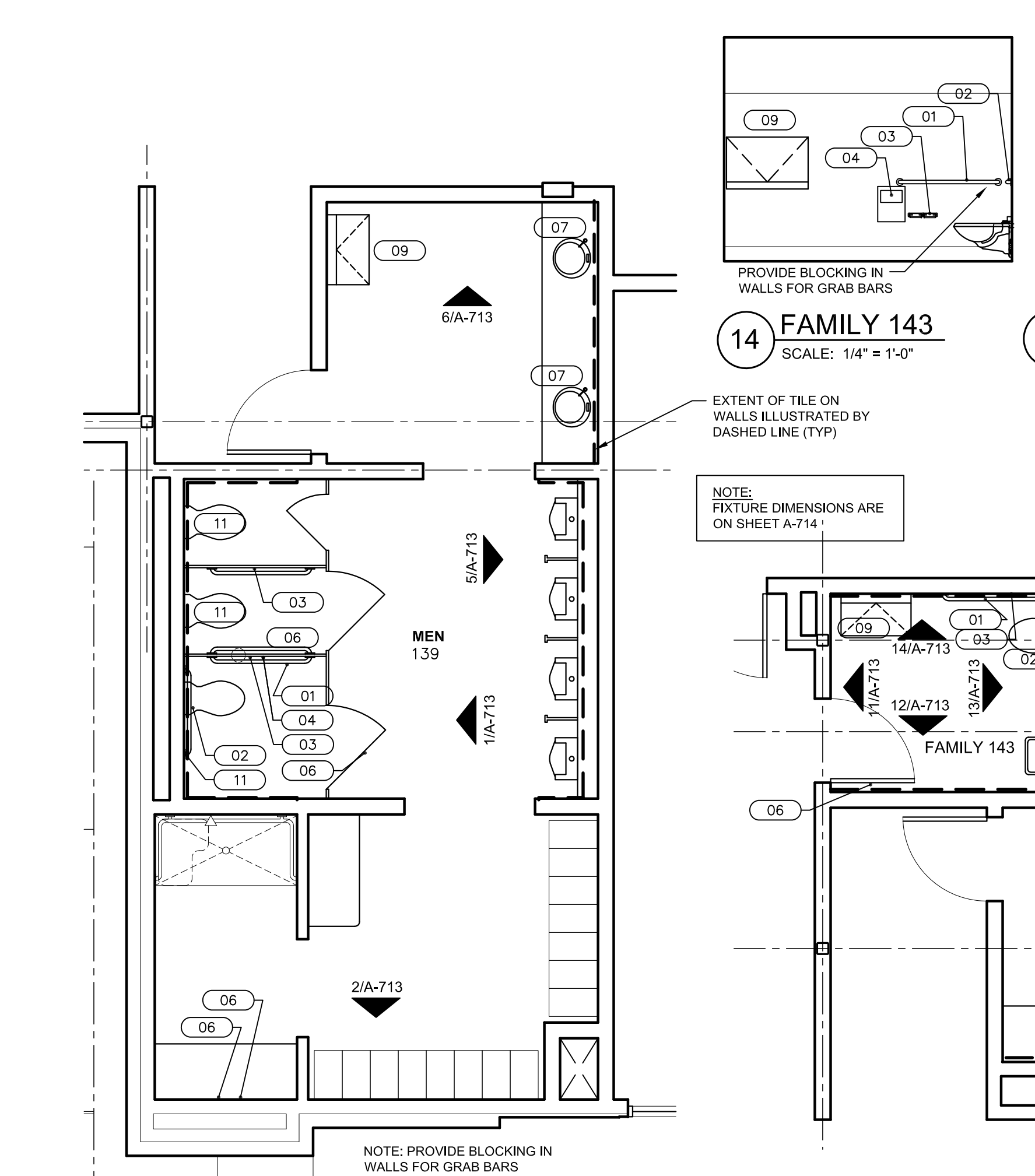
Issue Date
OCTOBER 25, 2017
© COPYRIGHT REES ASSOCIATES, INC. 2017

TOILET ACCESSORY SCHEDULE		
NOTE	ACCESSORY	MOUNTING HEIGHTS-VERIFY WITH RFP
01	GRAB BAR TYPE I - MODEL B-6806 X 42"	34" A.F.F. TO CENTER LINE OF GRAB BAR
02	GRAB BAR TYPE II - MODEL B-6806 X 36"	34" A.F.F. TO CENTER LINE OF GRAB BAR
03	SURFACE MOUNTED TISSUE DISPENSER - MODEL B-2740	28" A.F.F. TO TOP
04	RECESSED SANITARY NAPKIN DISPOSAL - MODEL B-35303	34 1/2" A.F.F. TO TOP OF UNIT
05	DUAL ACCESS SANITARY NAPKIN DISPOSAL - MODEL B-354	34" A.F.F. TO TOP OF UNIT.
06	ROBE HOOK - MODEL B-671	SEE ELEVATIONS FOR HEIGHTS
07	COUNTER MOUNTED SOAP DISPENSER - MODEL B-822	
08	SURFACE-MOUNTED DIAPER CHANGING STATION, KB110-SSWM	34" A.F.F. TO TOP OF OPEN TABLE (VERIFY)
09	AUTOMATIC ELECTRIC ROLL PAPER TOWEL DISPENSER BY OWNER	63" A.F.F. TO TOP OF UNIT (VERIFY)
10	SURFACE MOUNTED TOILET-SEAT-COVER DISPENSER	37 1/2" A.F.F. TO CENTER LINE OF DISPENSING LINE

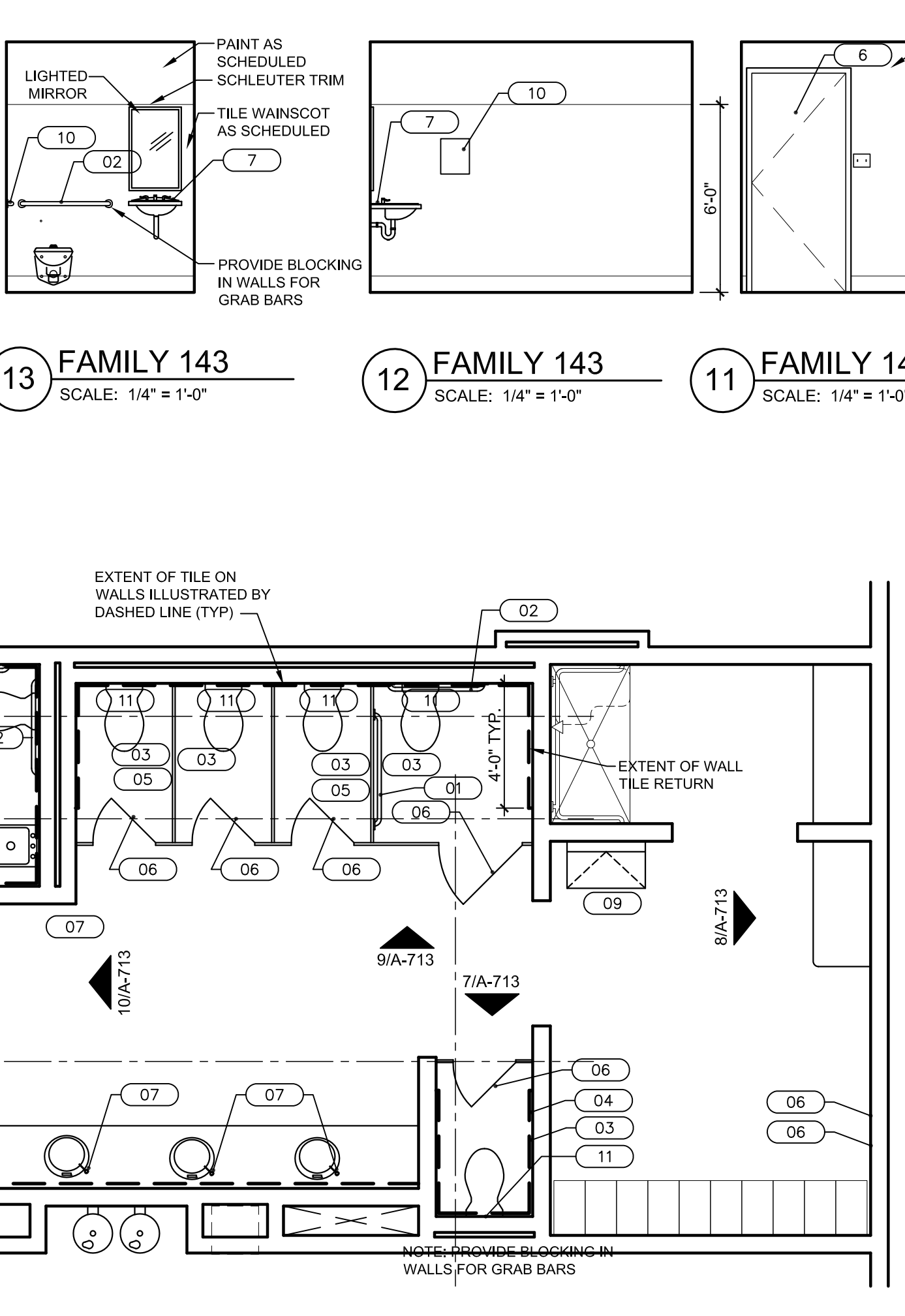
ALL PRODUCTS SPECIFIED FROM BOBRICK INDUSTRIES.



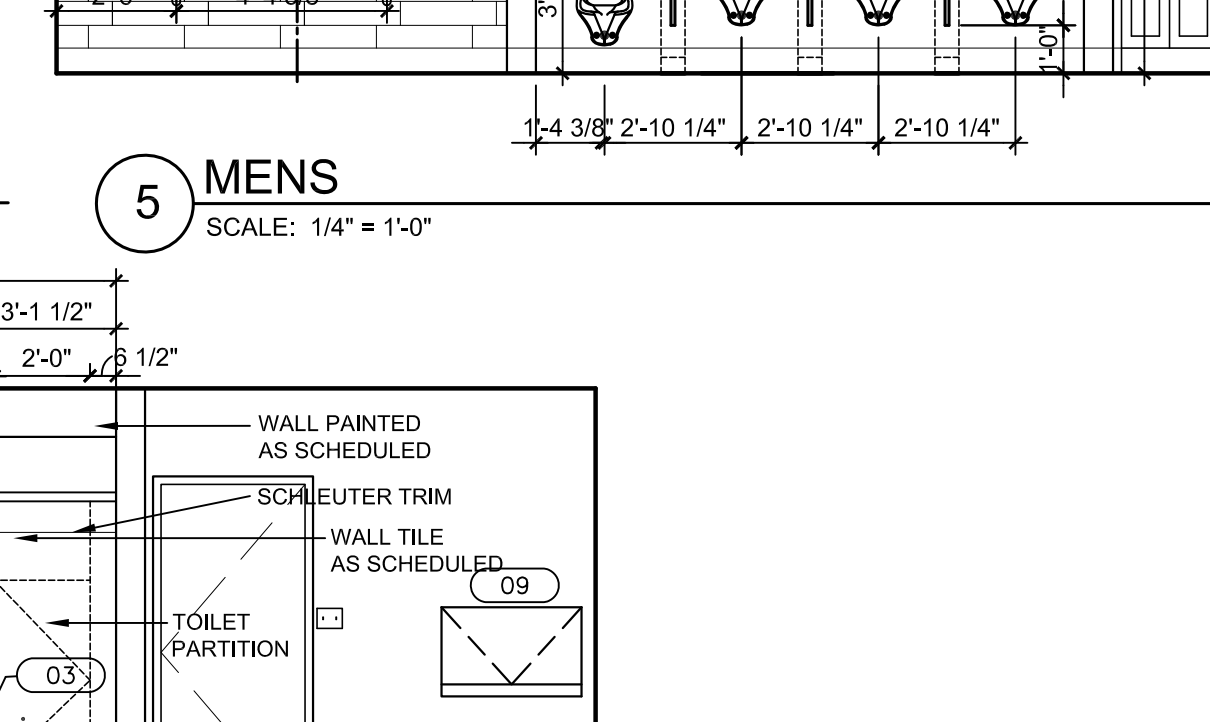
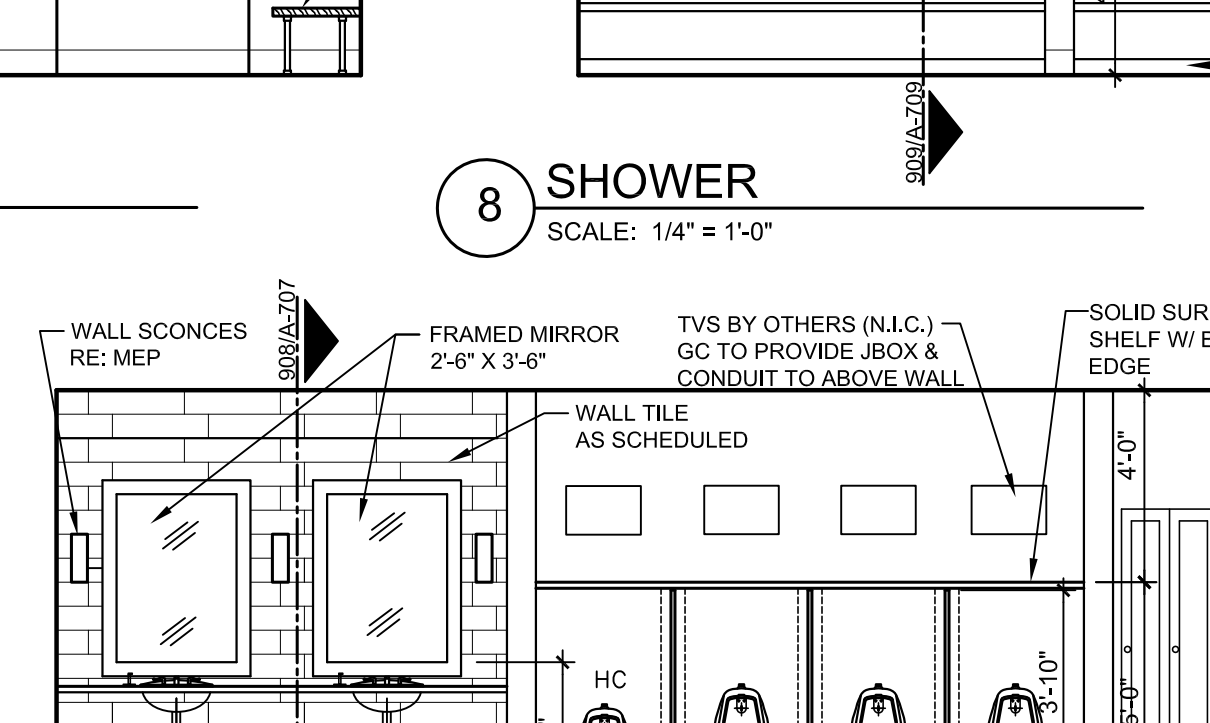
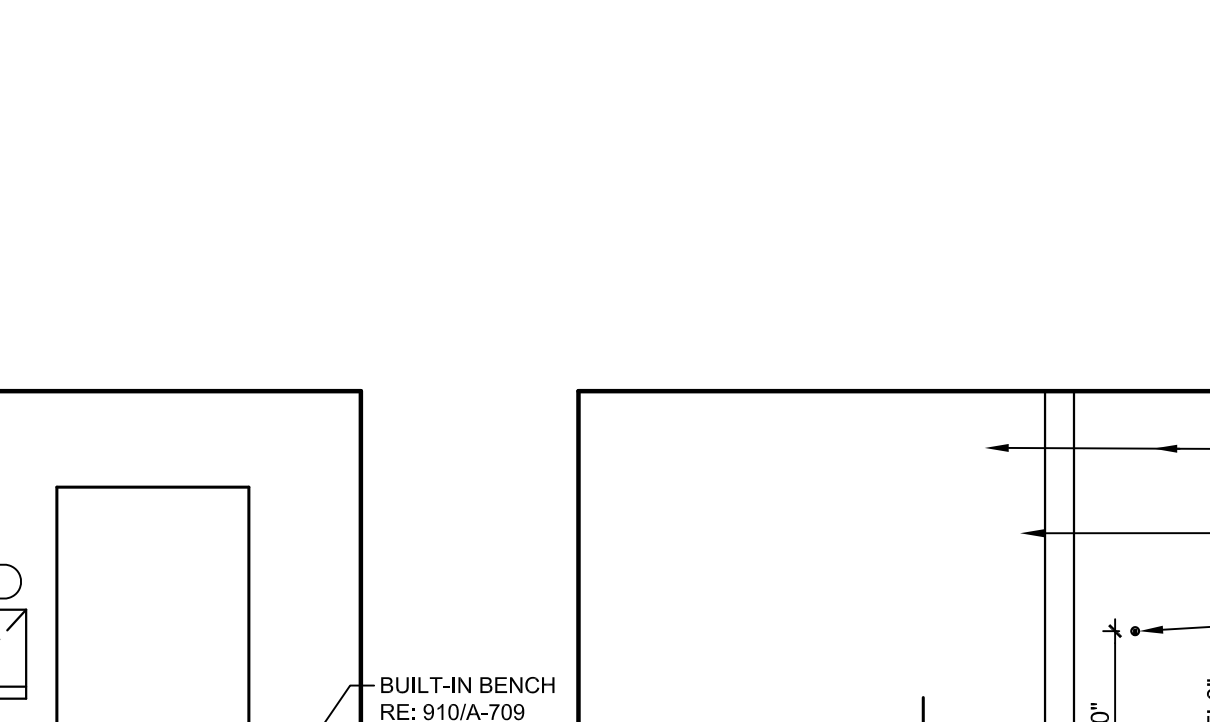
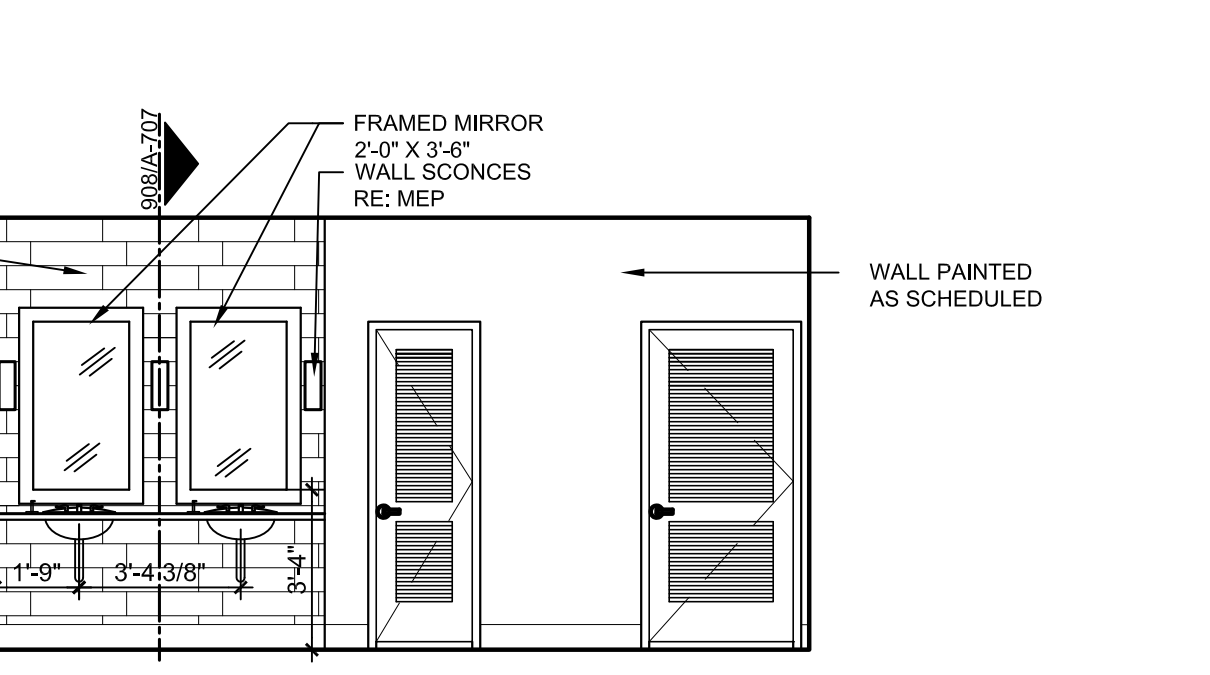
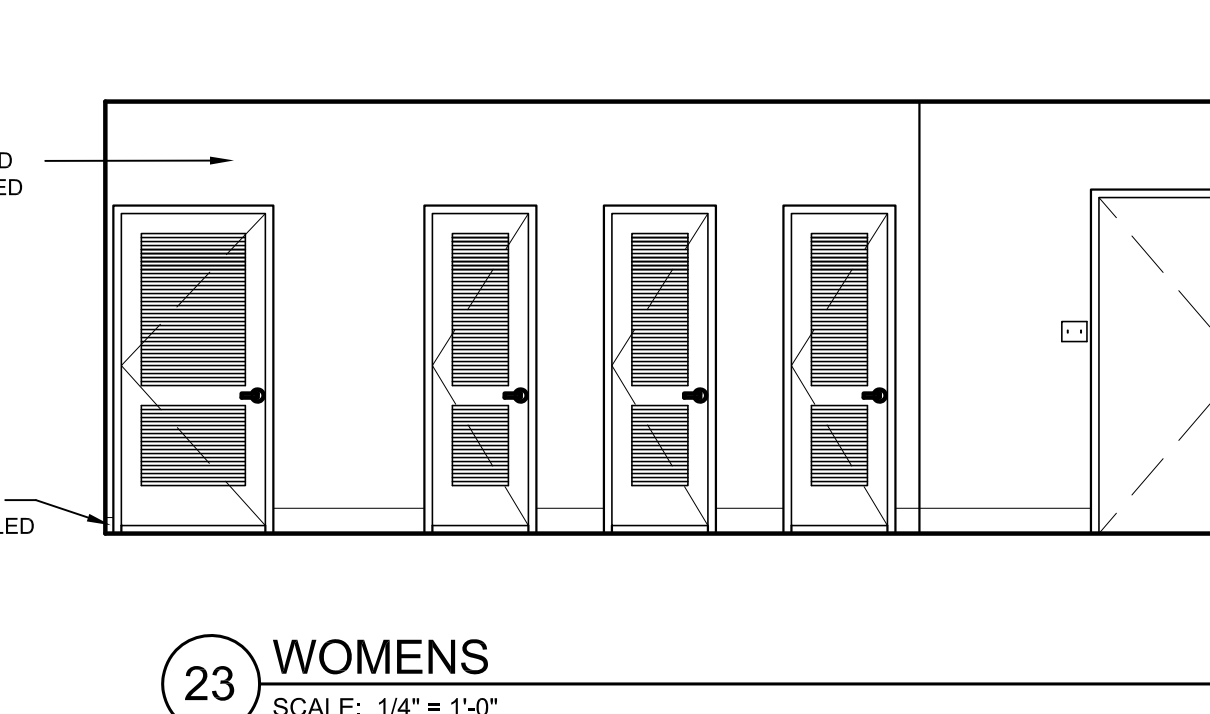
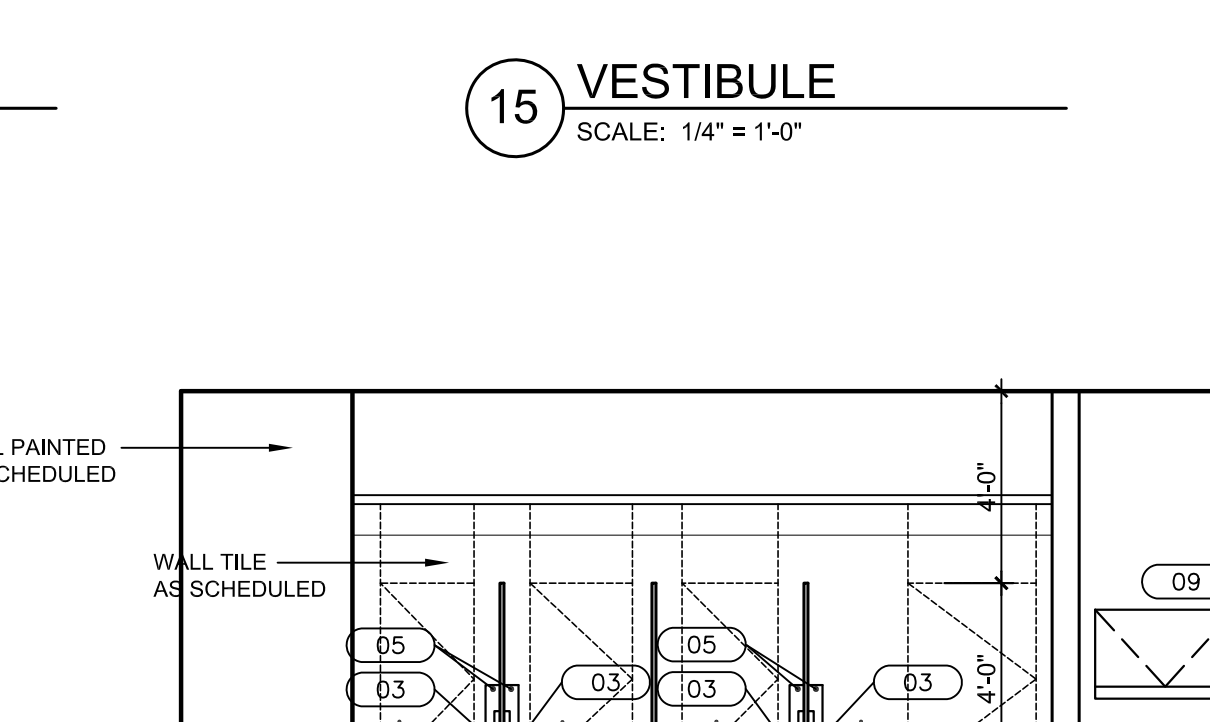
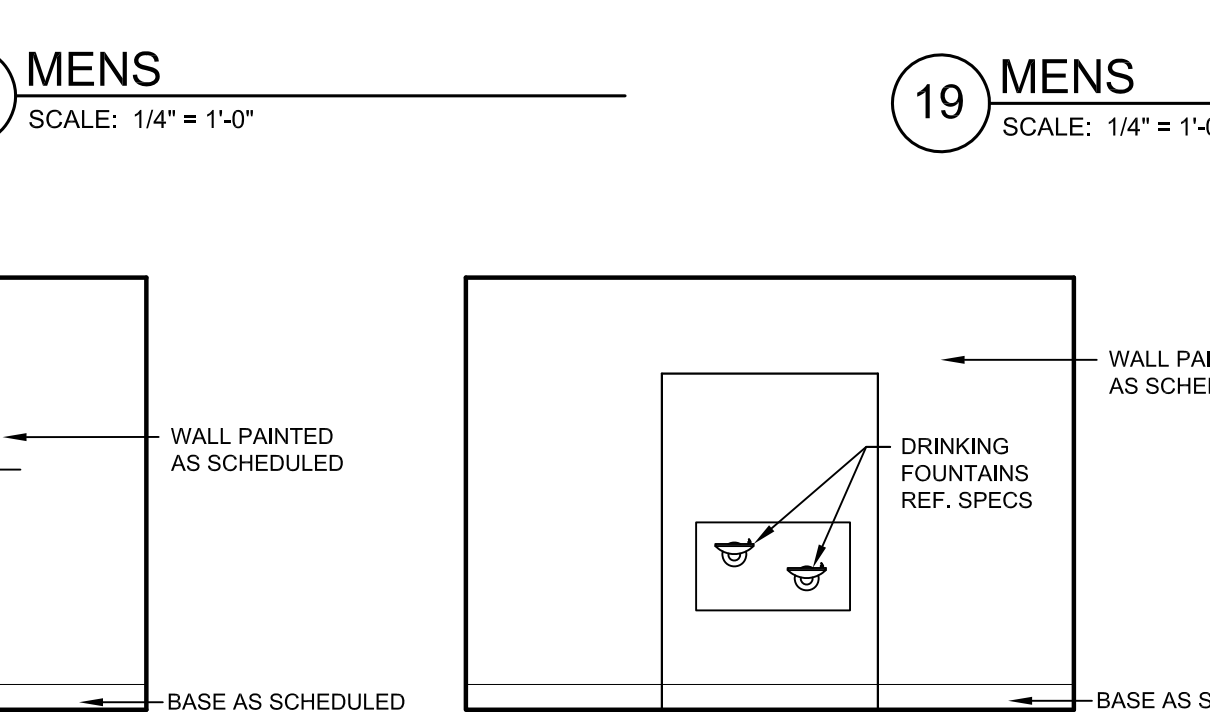
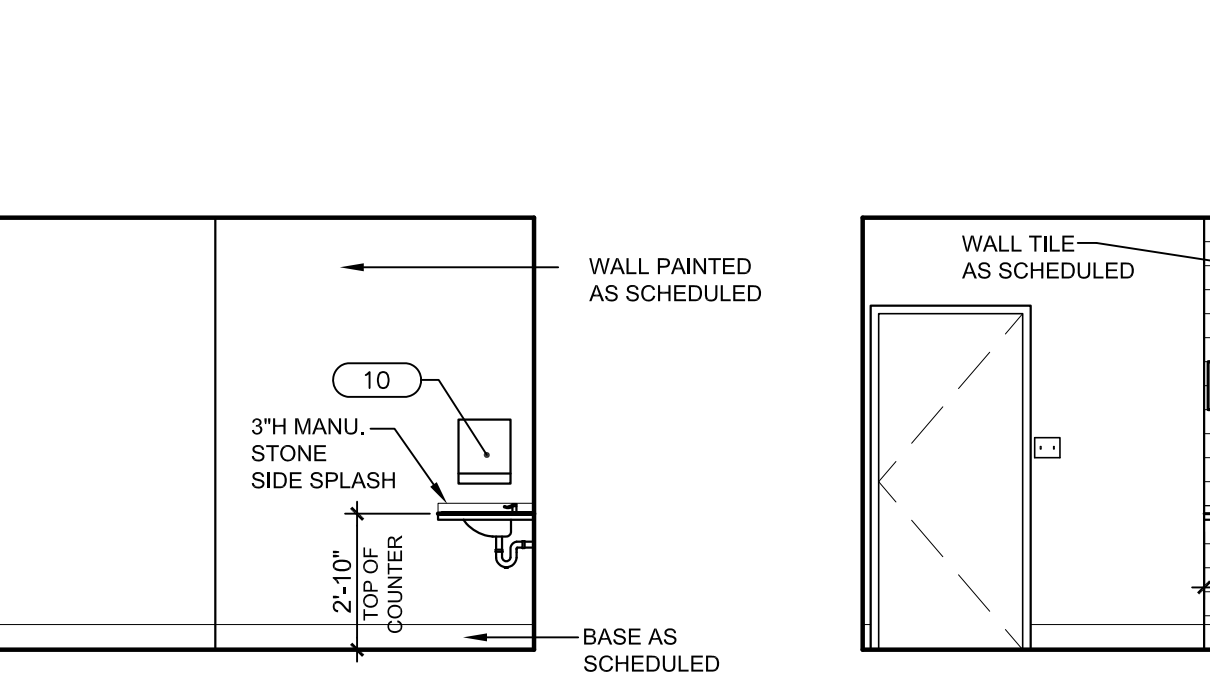
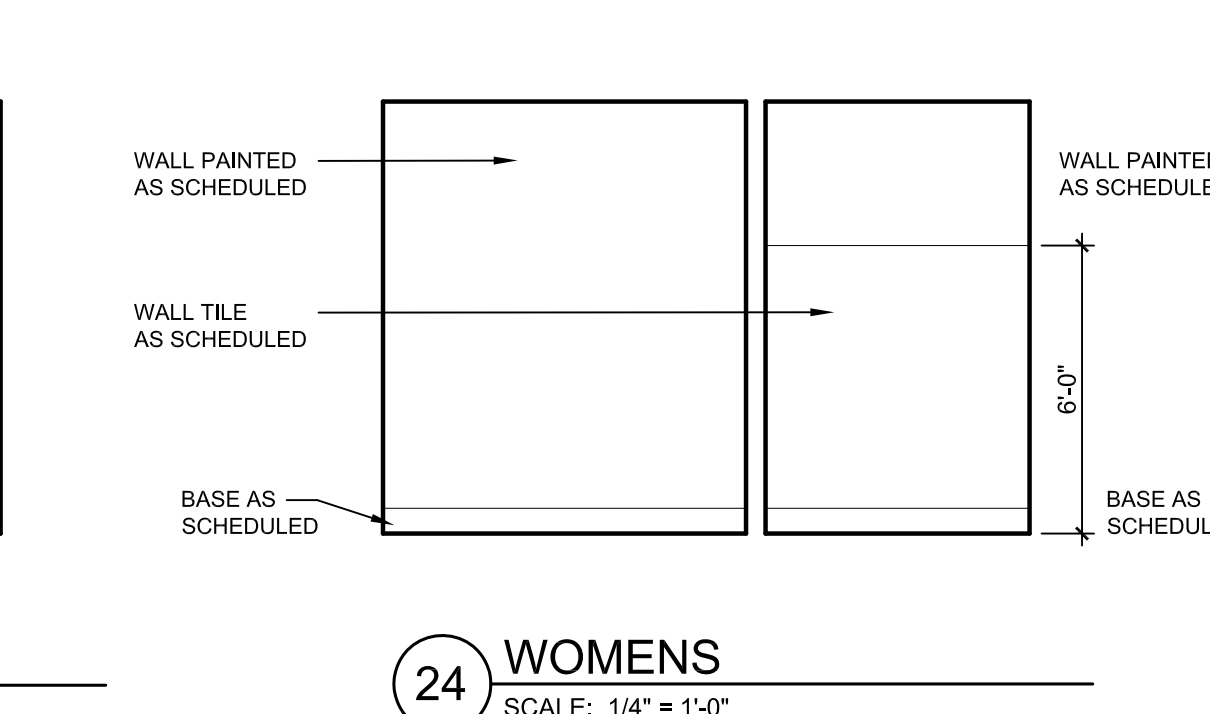
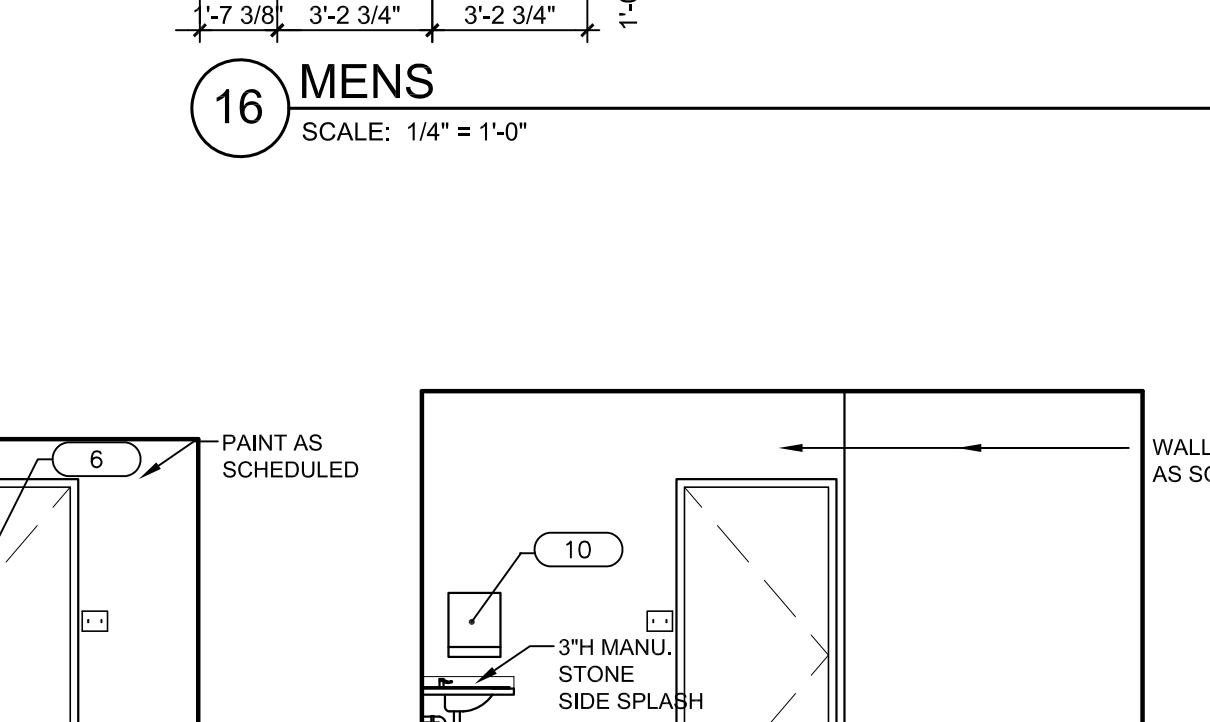
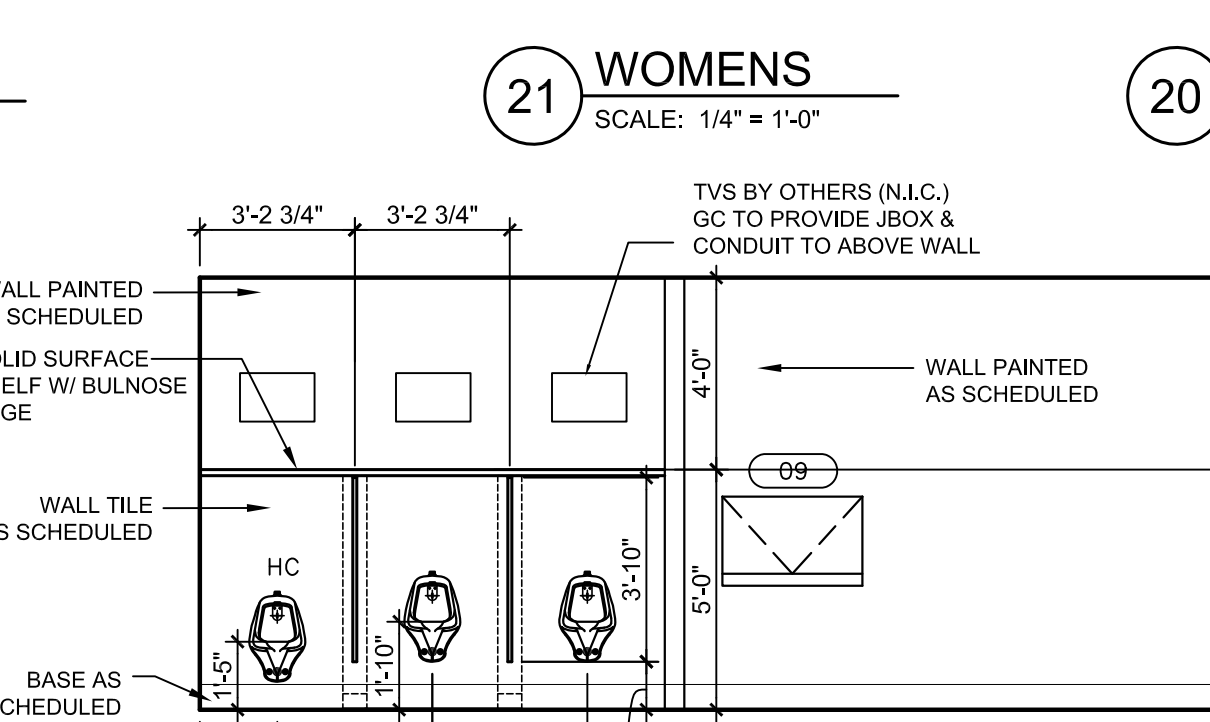
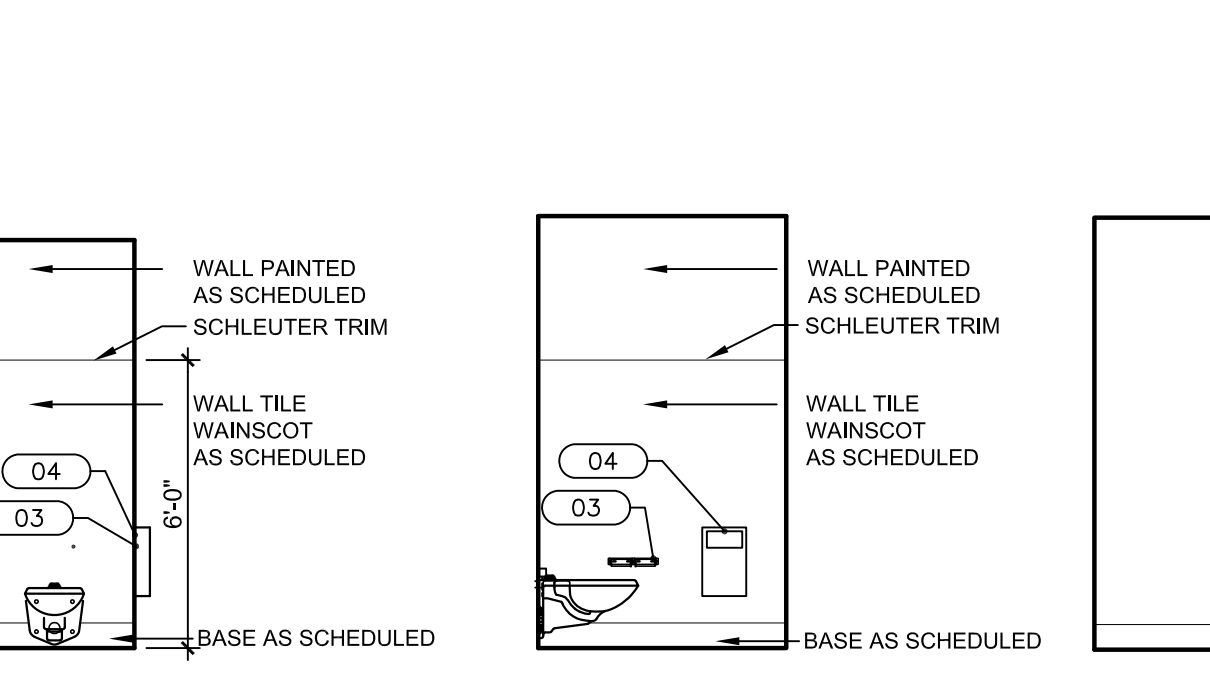
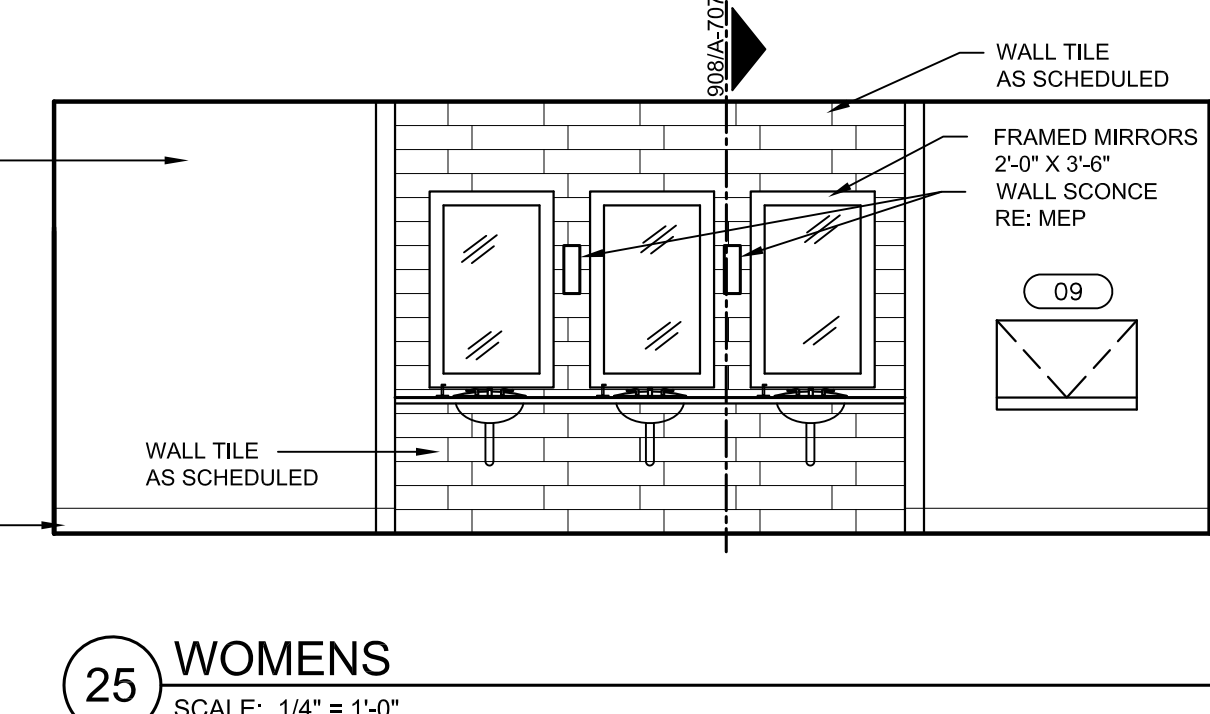
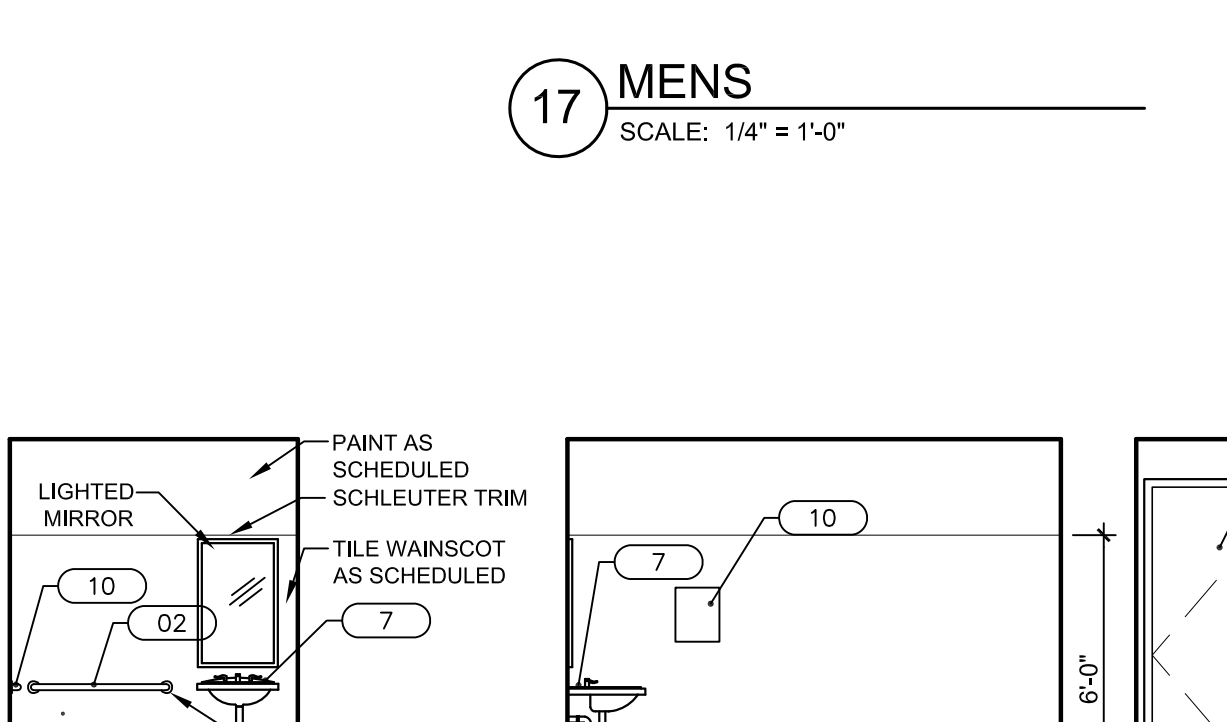
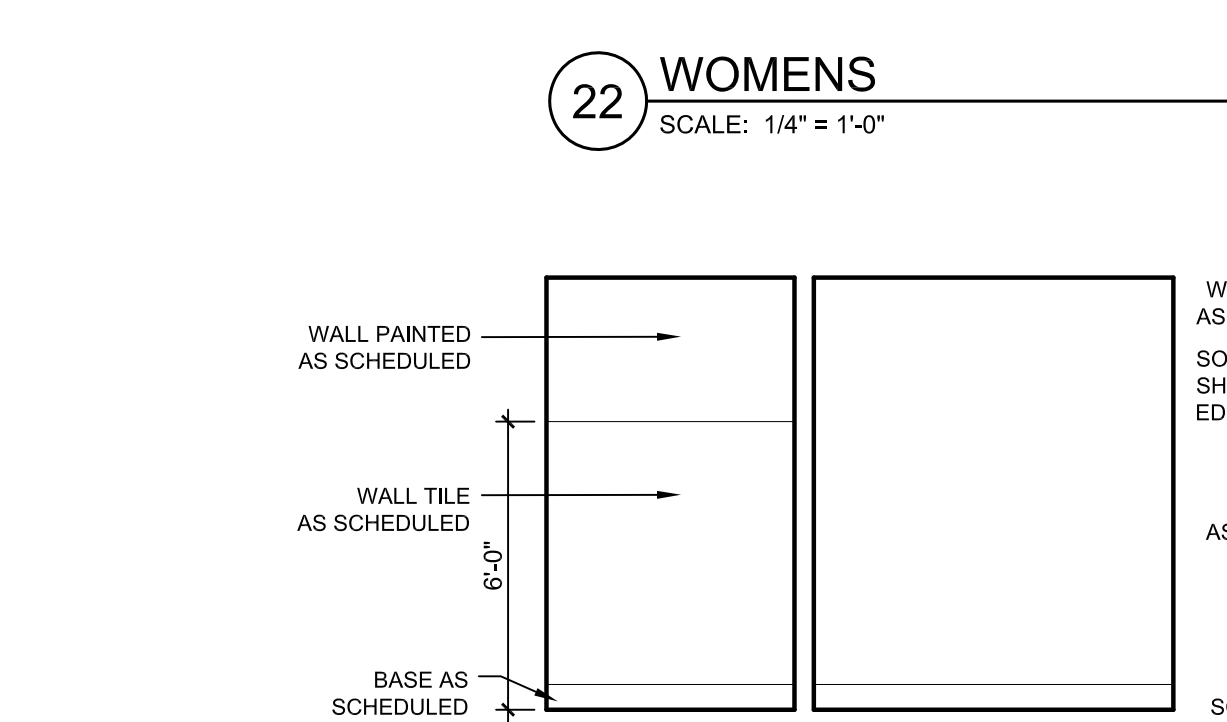
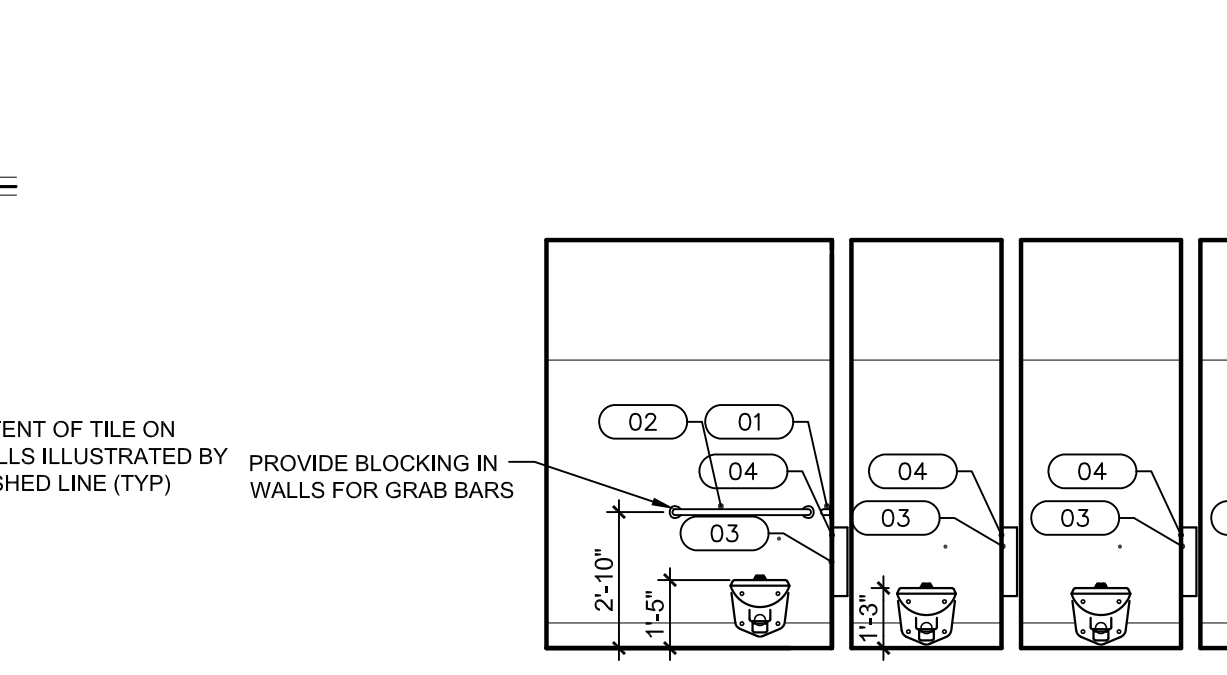
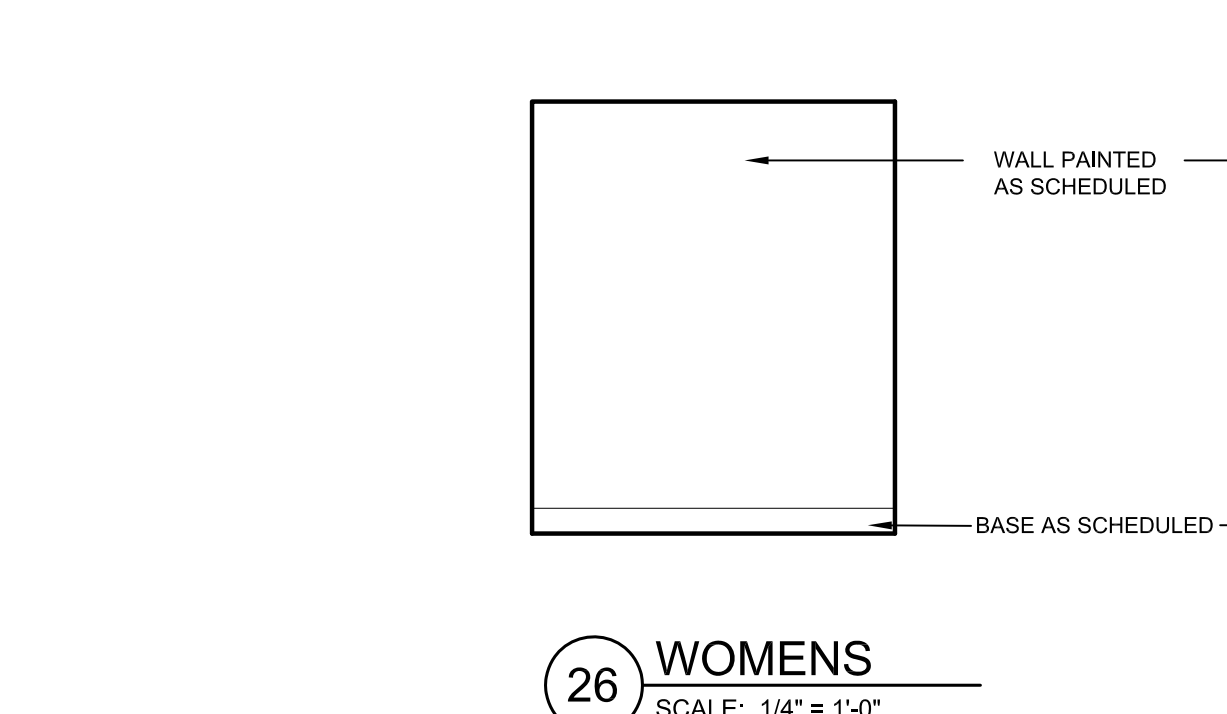
18 ENLARGED MENS & WOMENS RESTROOM PLANS
SCALE: 1/4" = 1'-0"



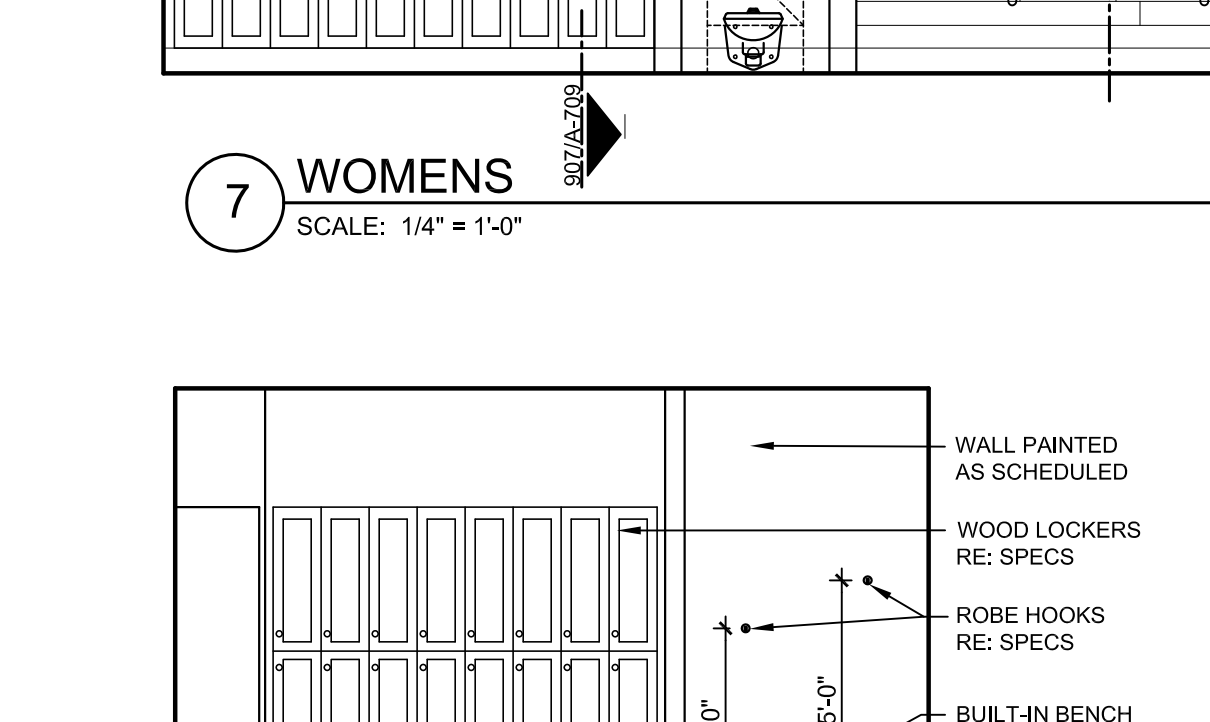
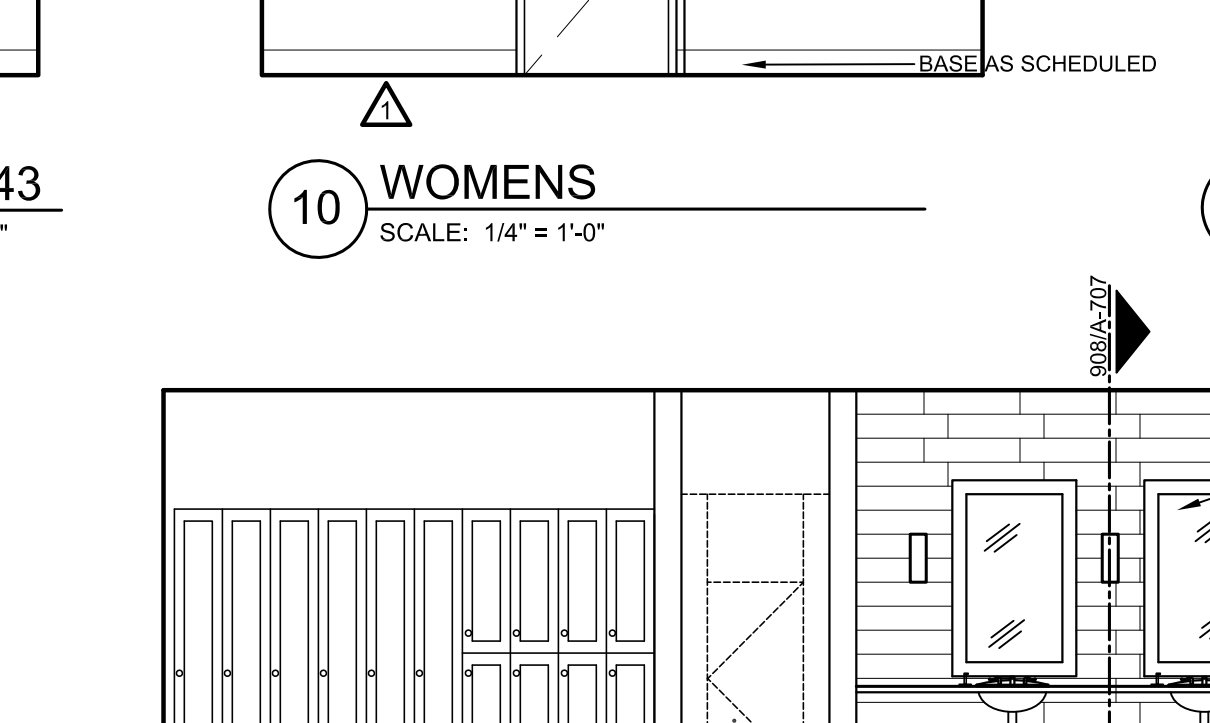
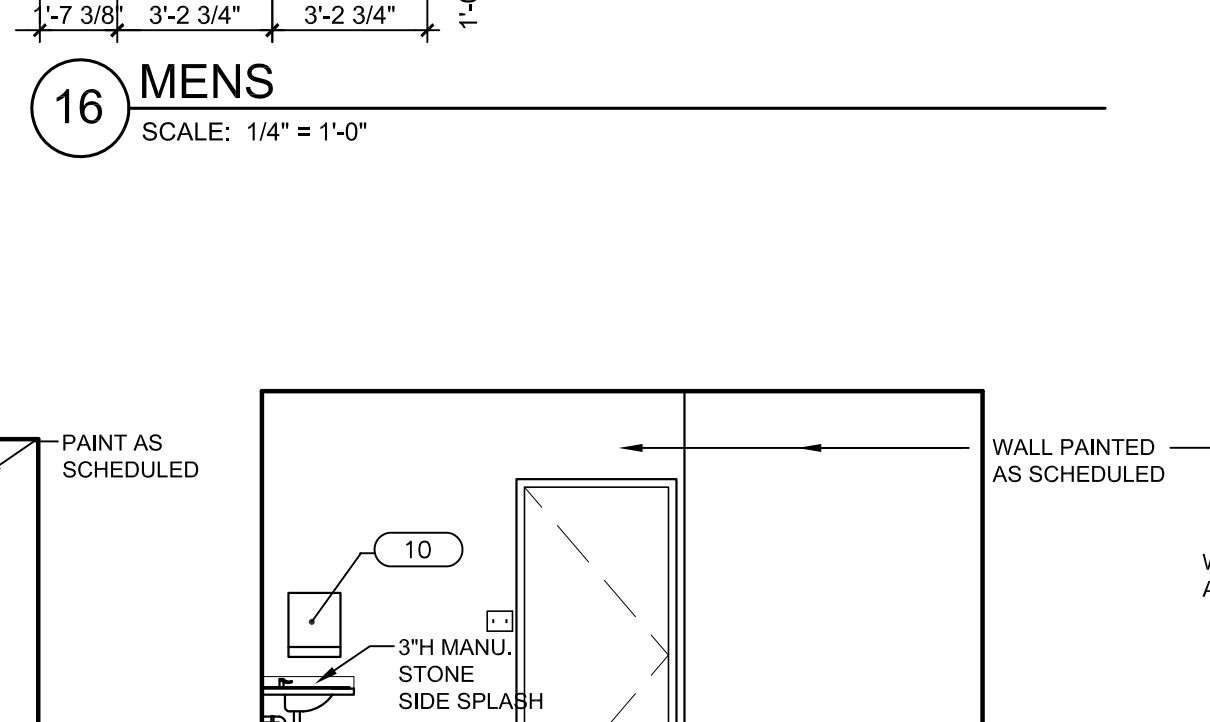
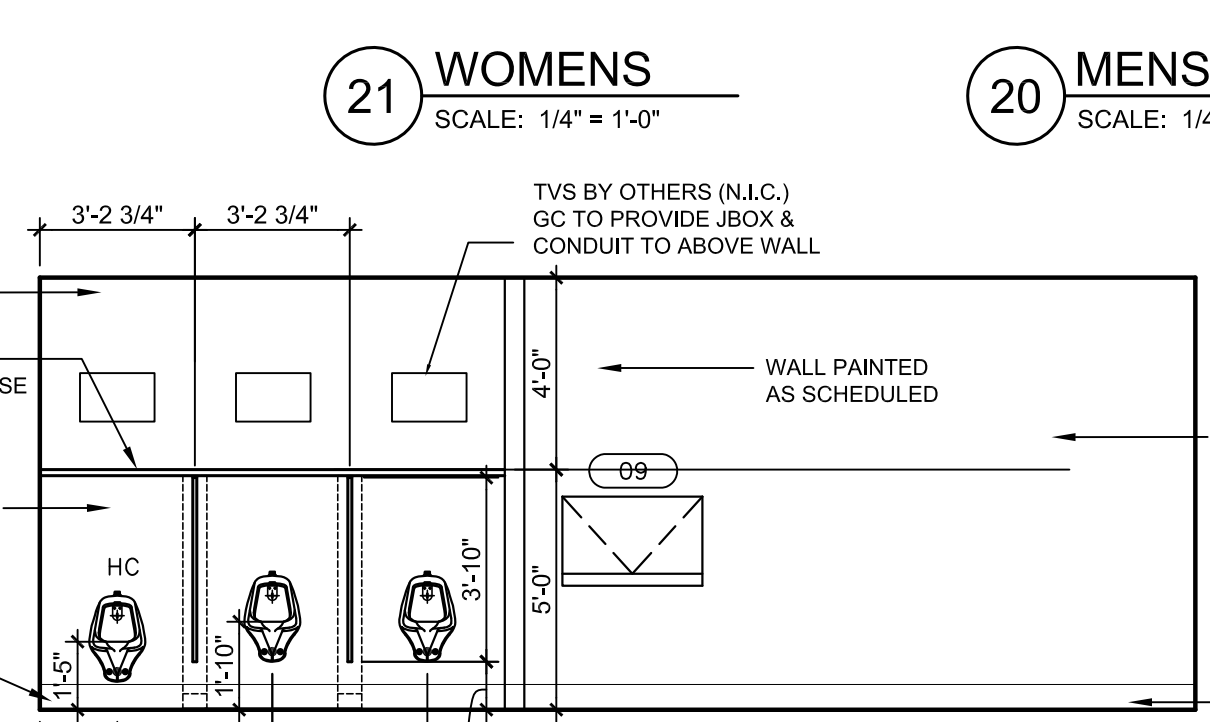
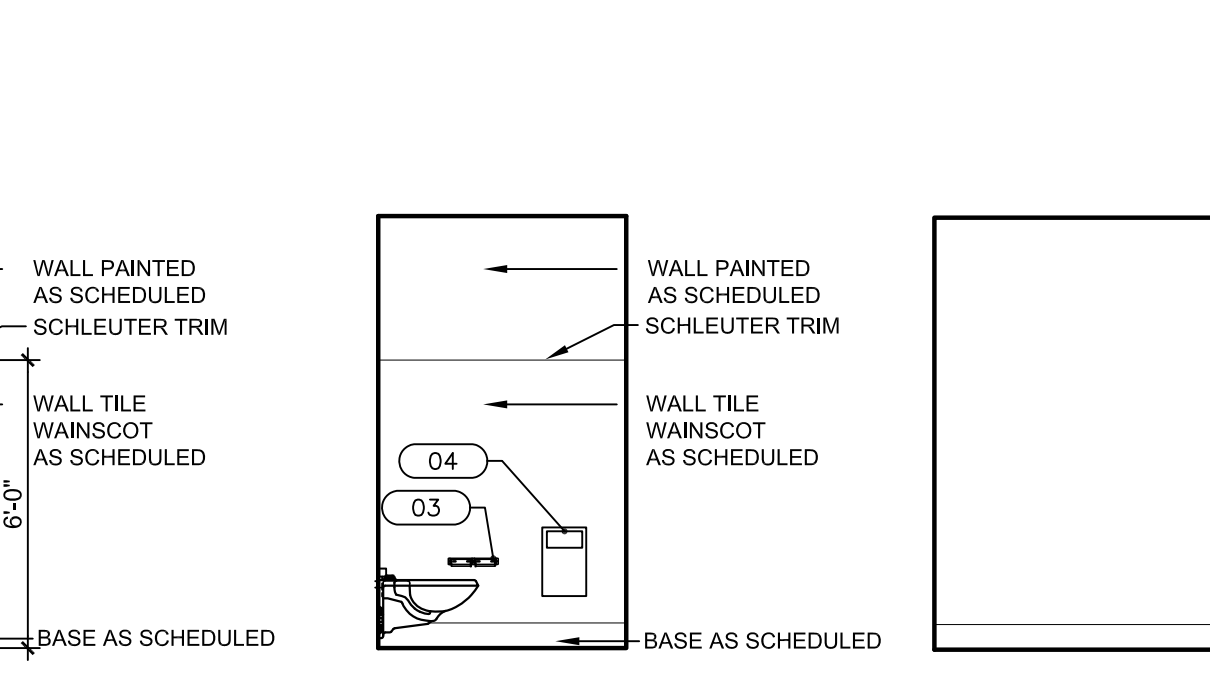
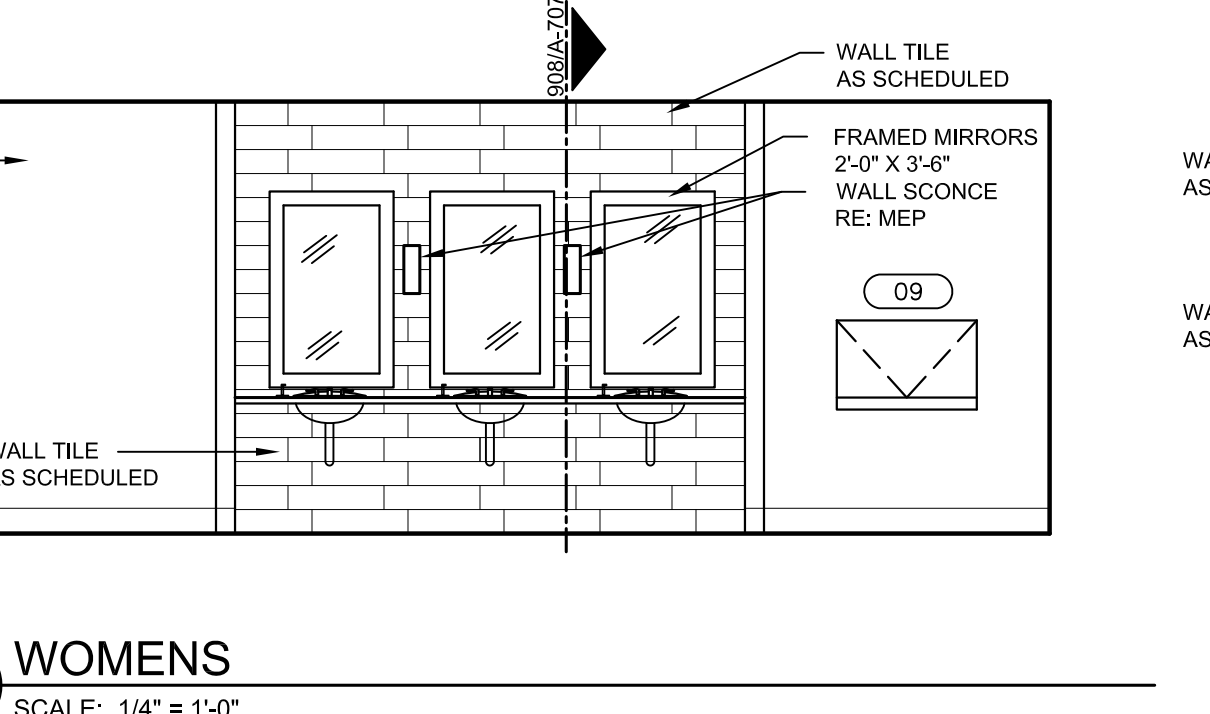
4 ENLARGED MENS RESTROOM PLAN
SCALE: 1/4" = 1'-0"



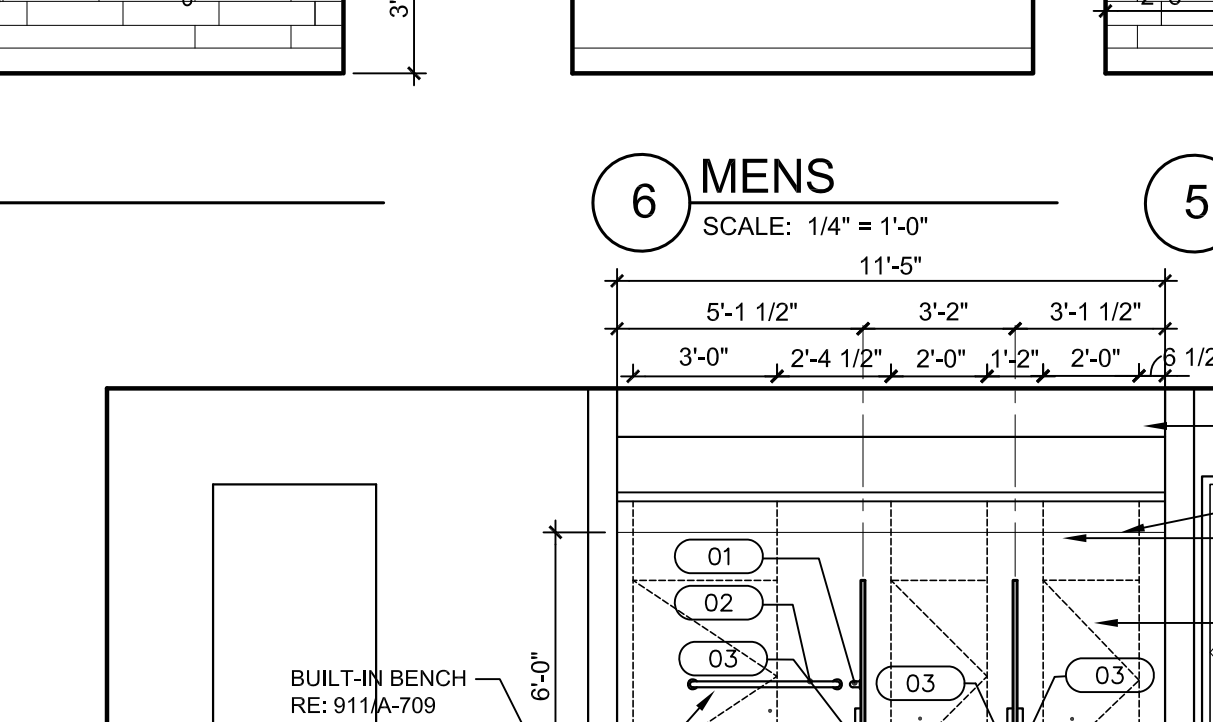
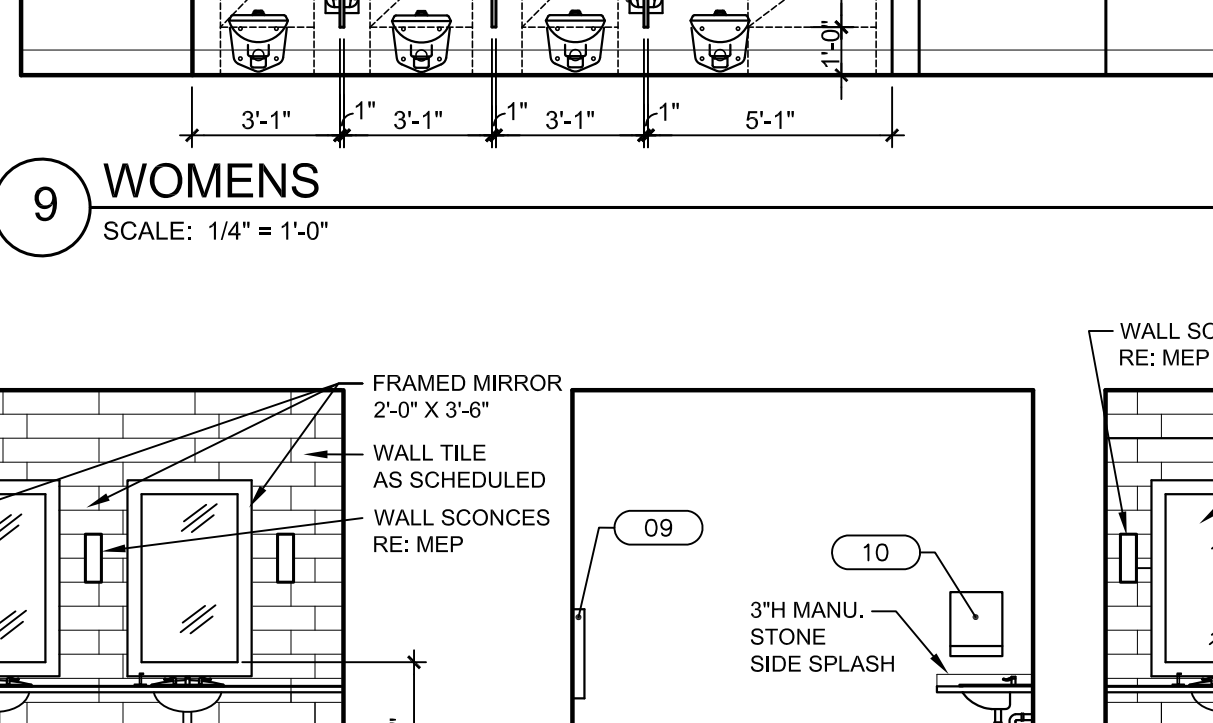
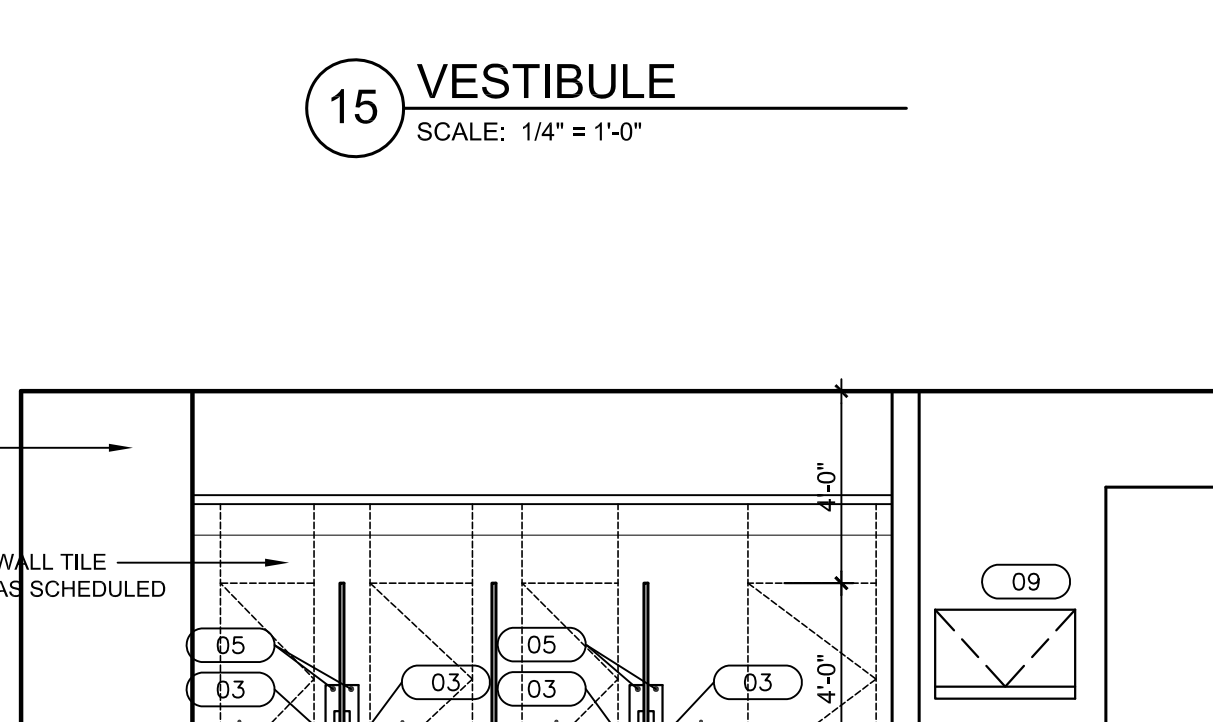
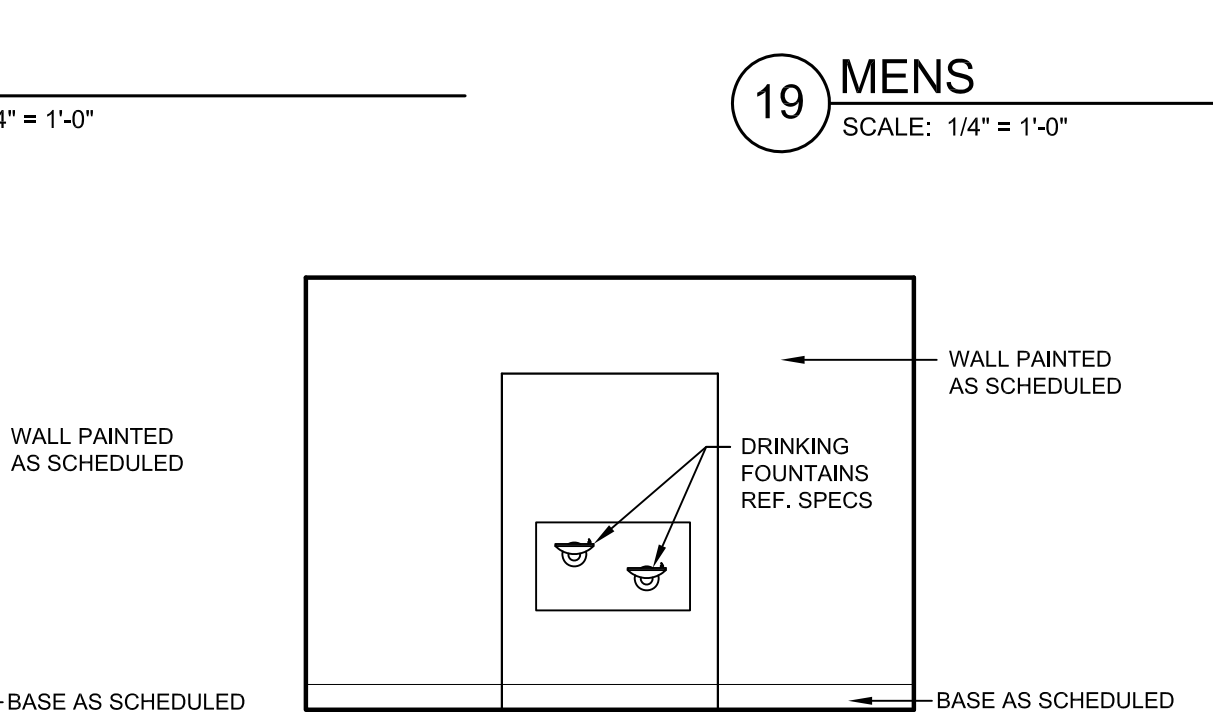
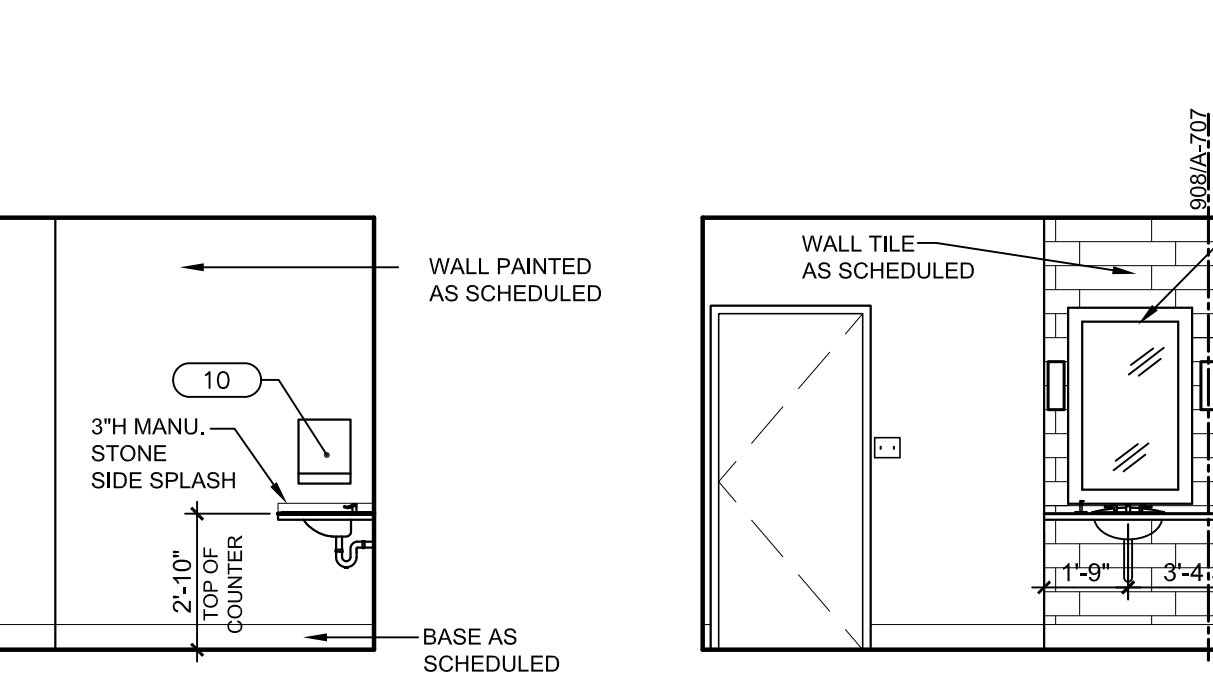
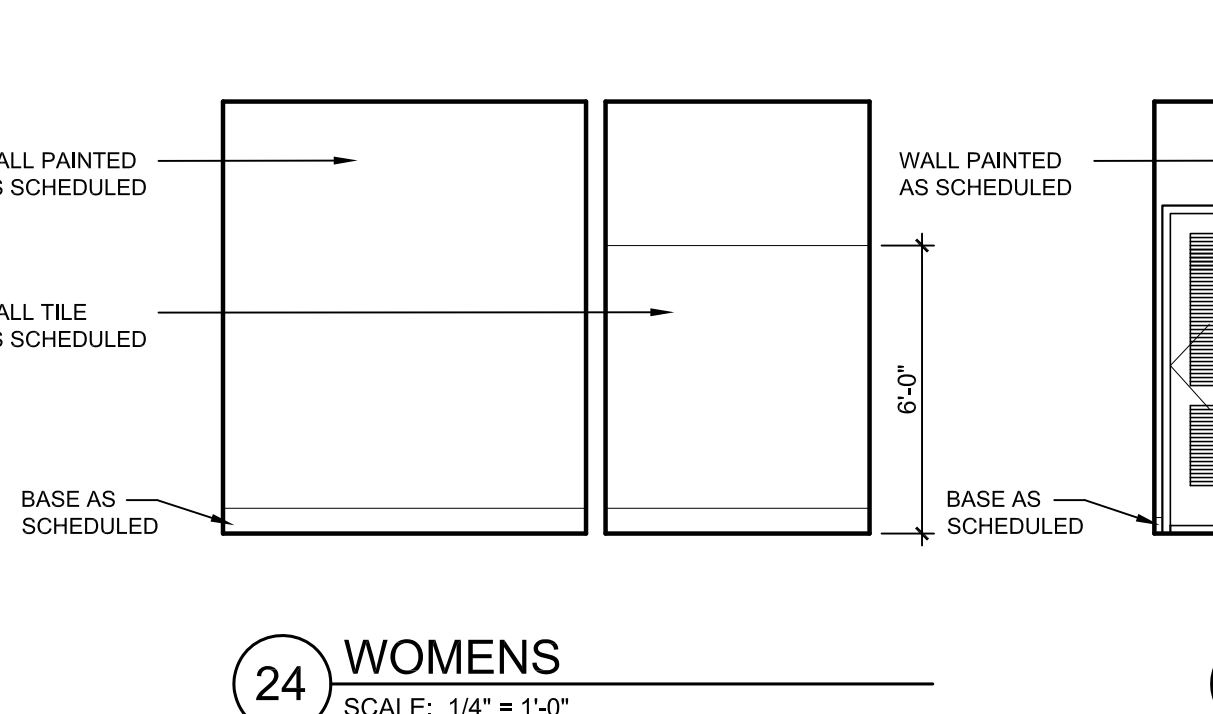
3 ENLARGED WOMENS RESTROOM PLAN
SCALE: 1/4" = 1'-0"



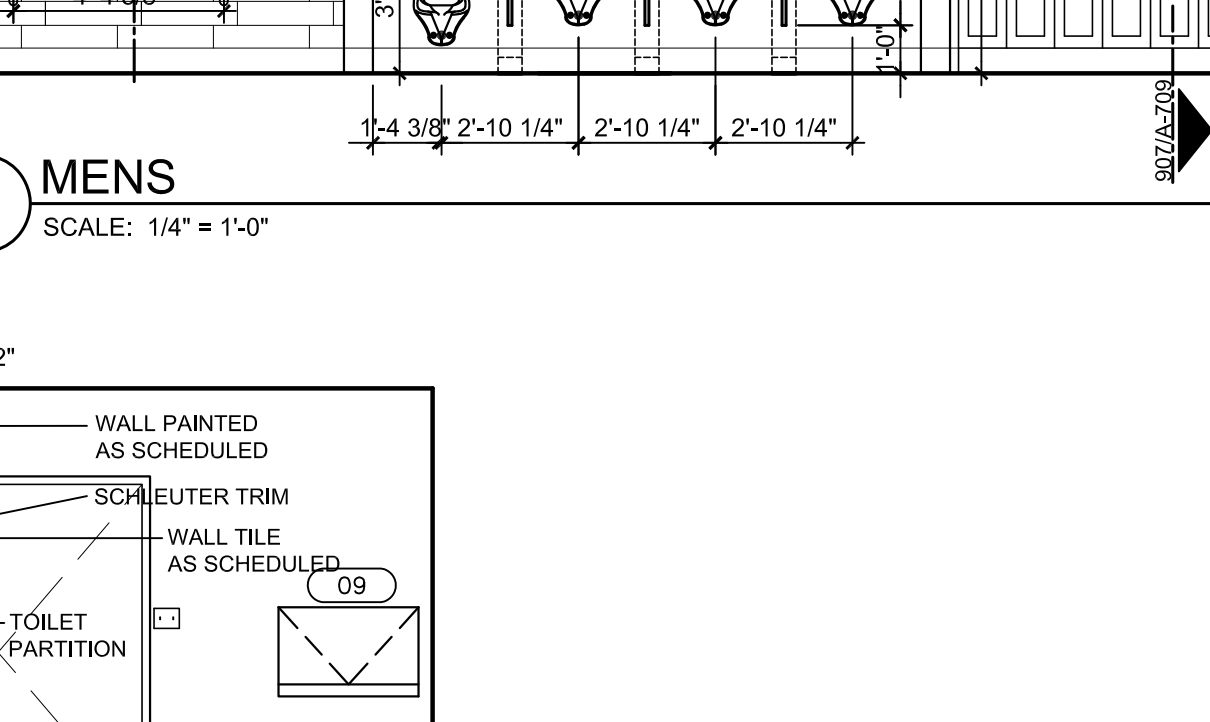
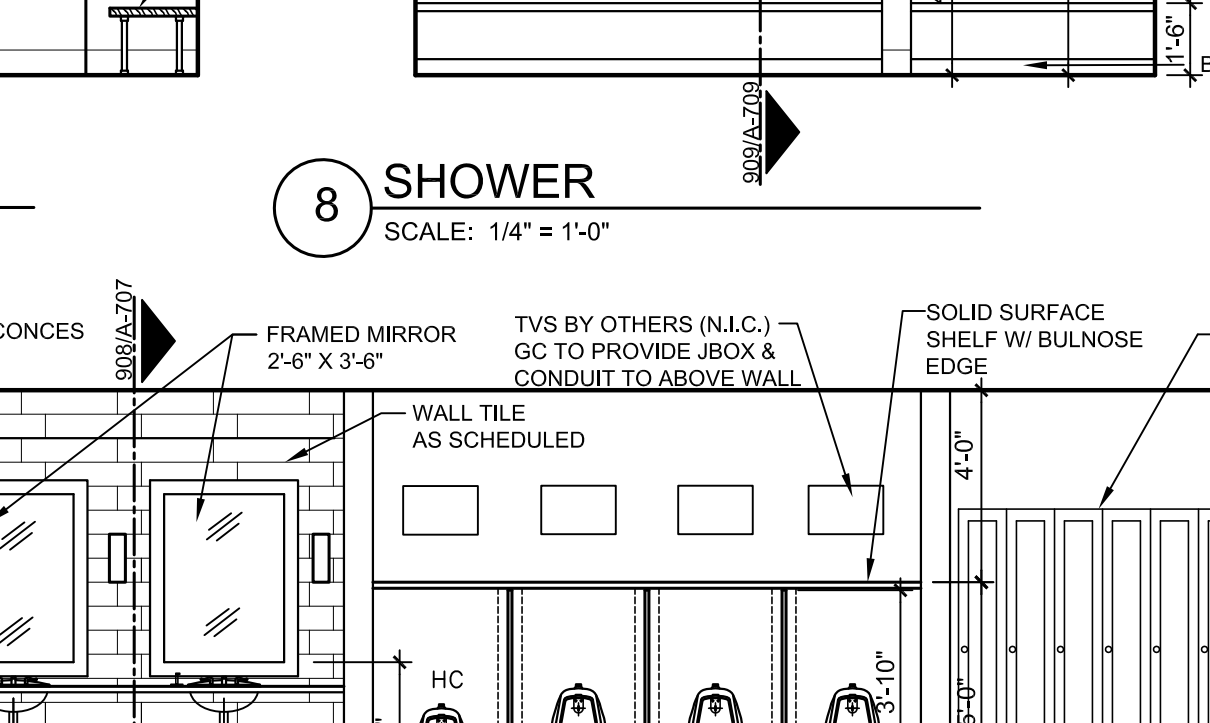
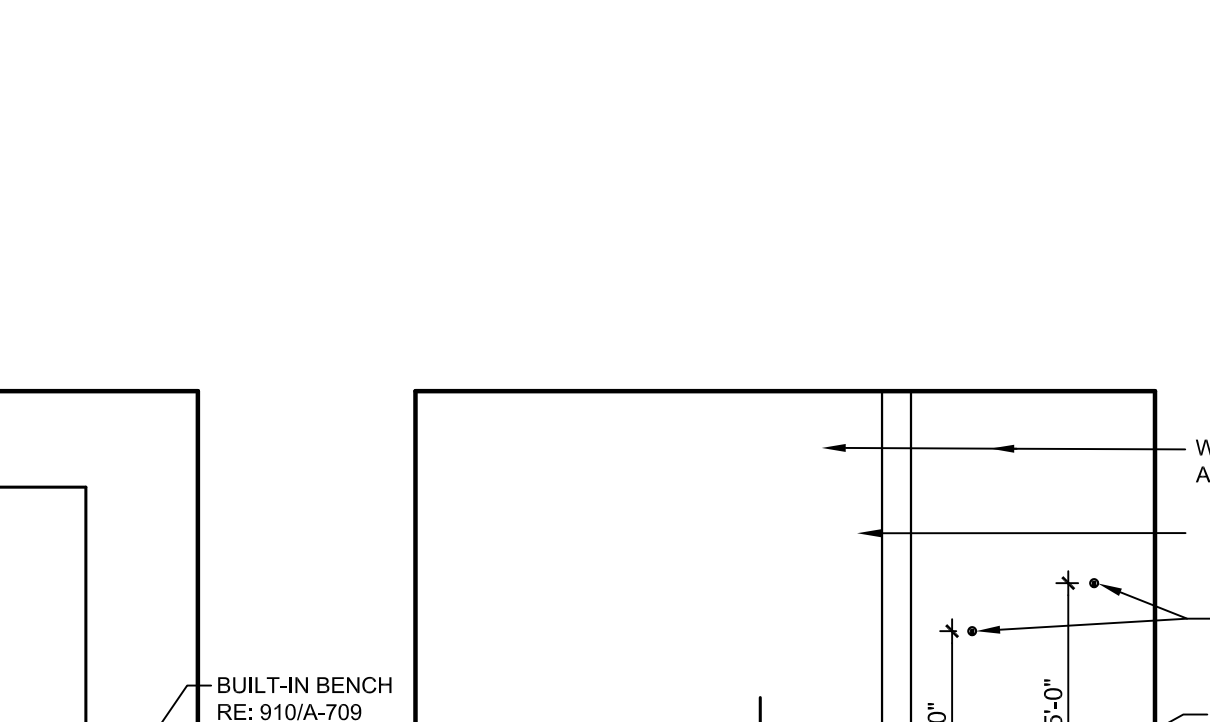
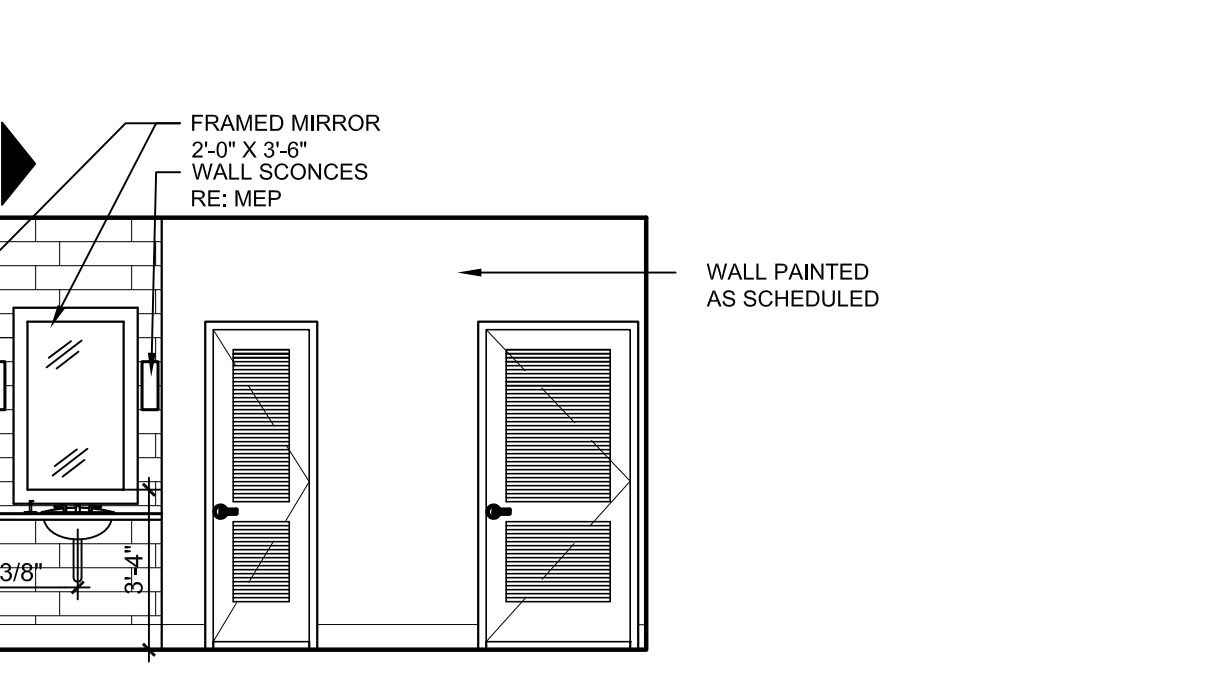
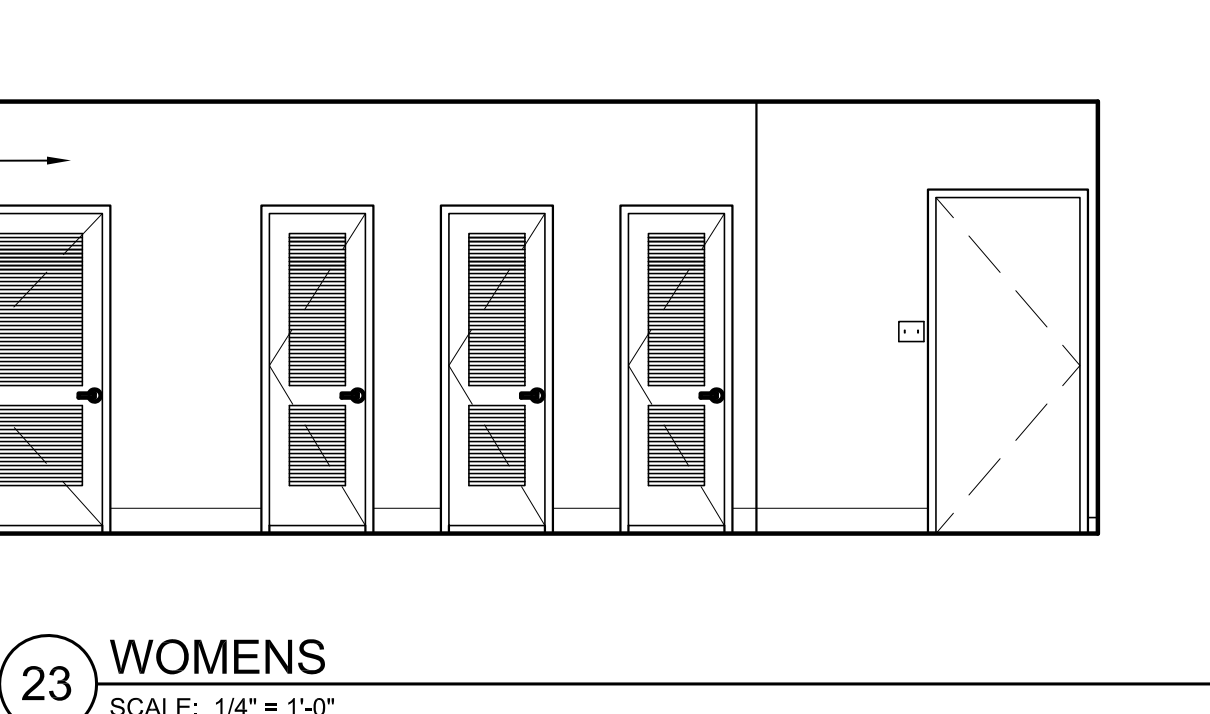
5 MENS
SCALE: 1/4" = 1'-0"



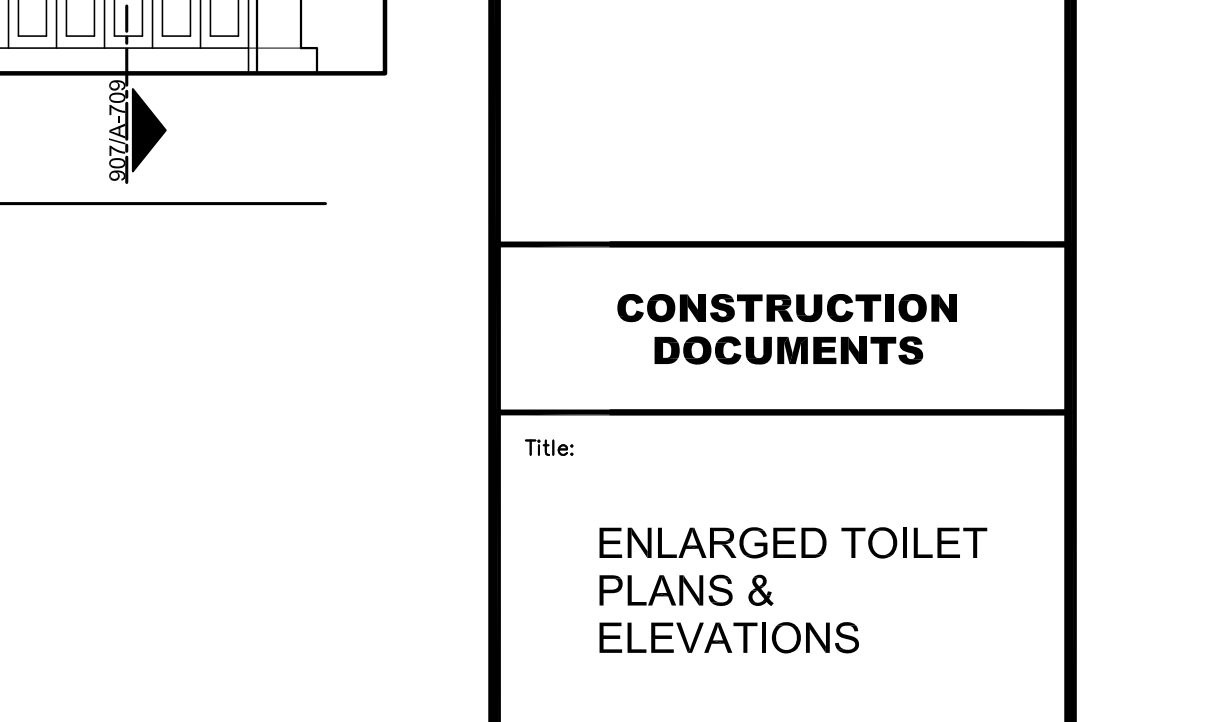
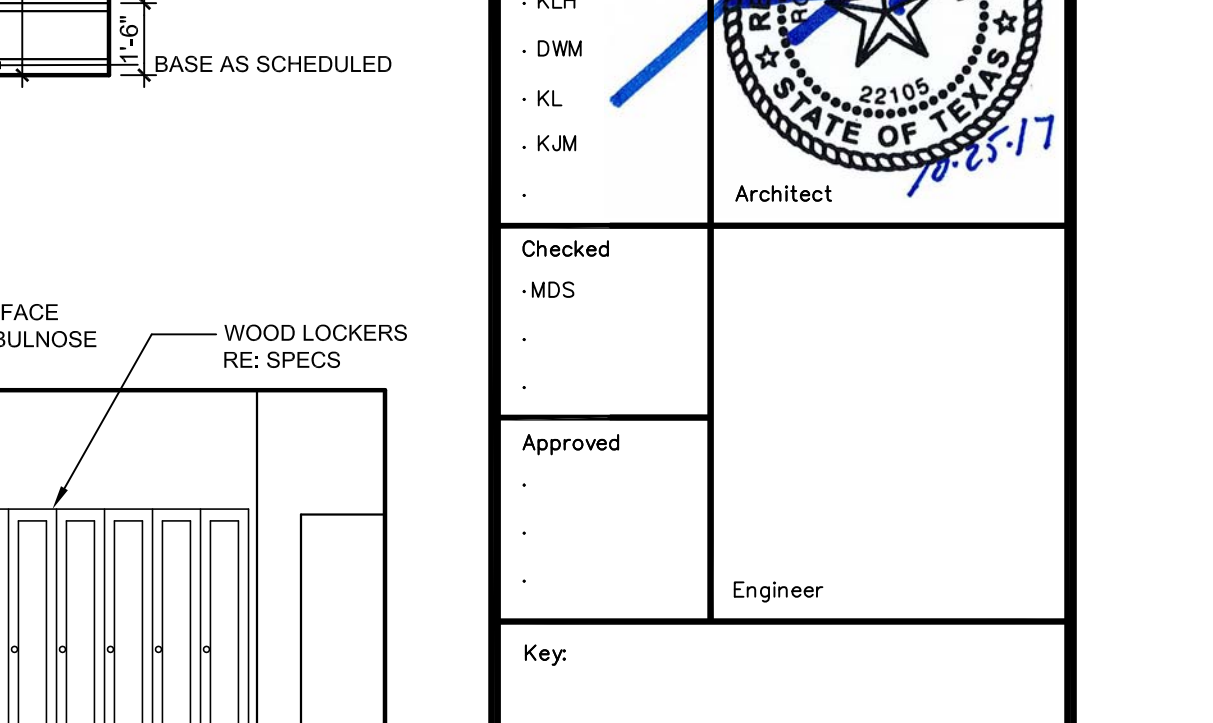
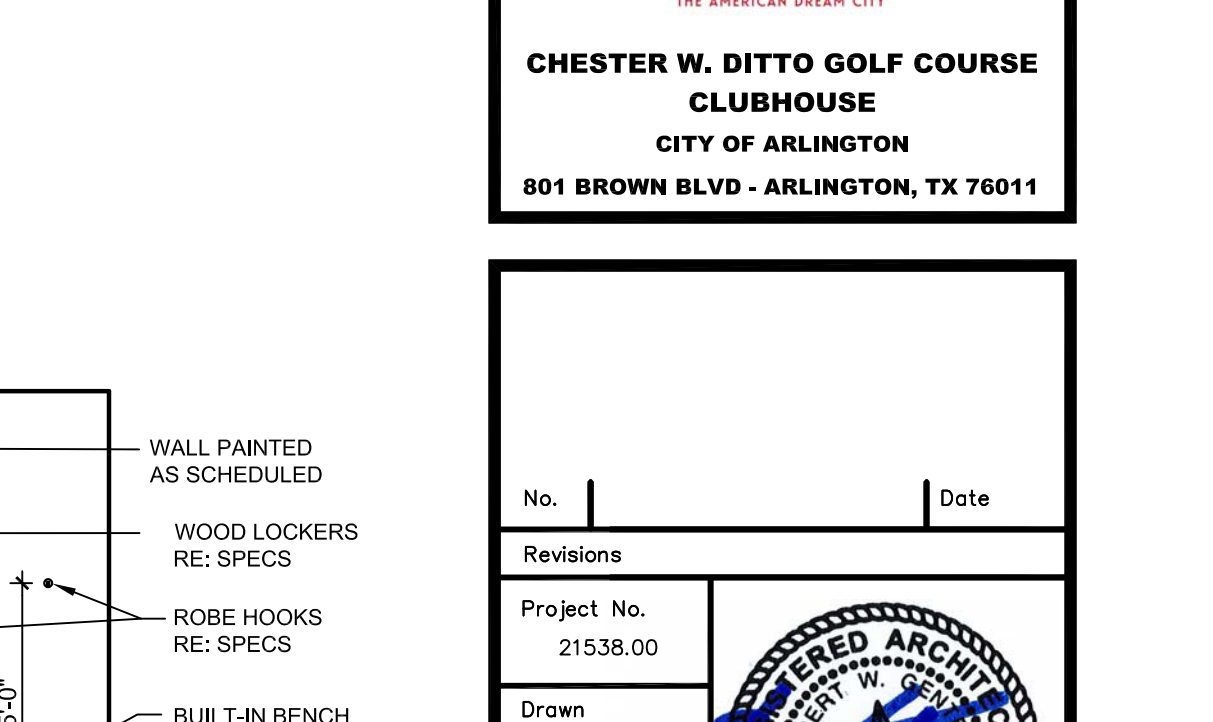
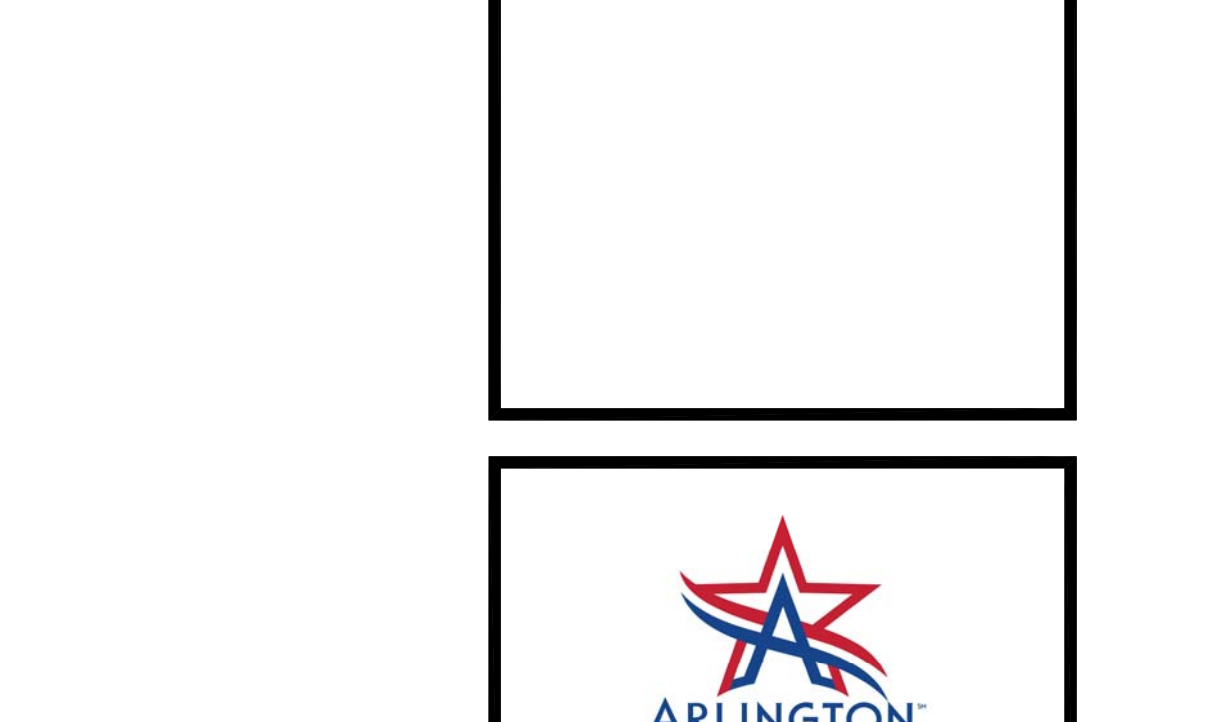
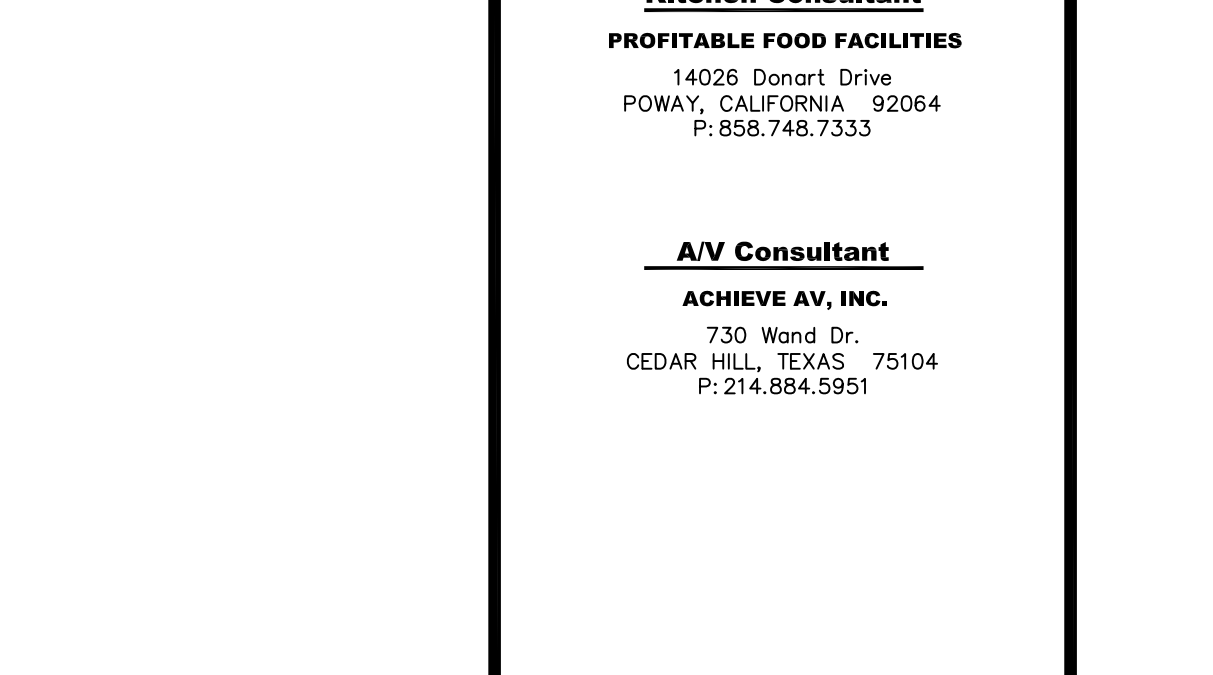
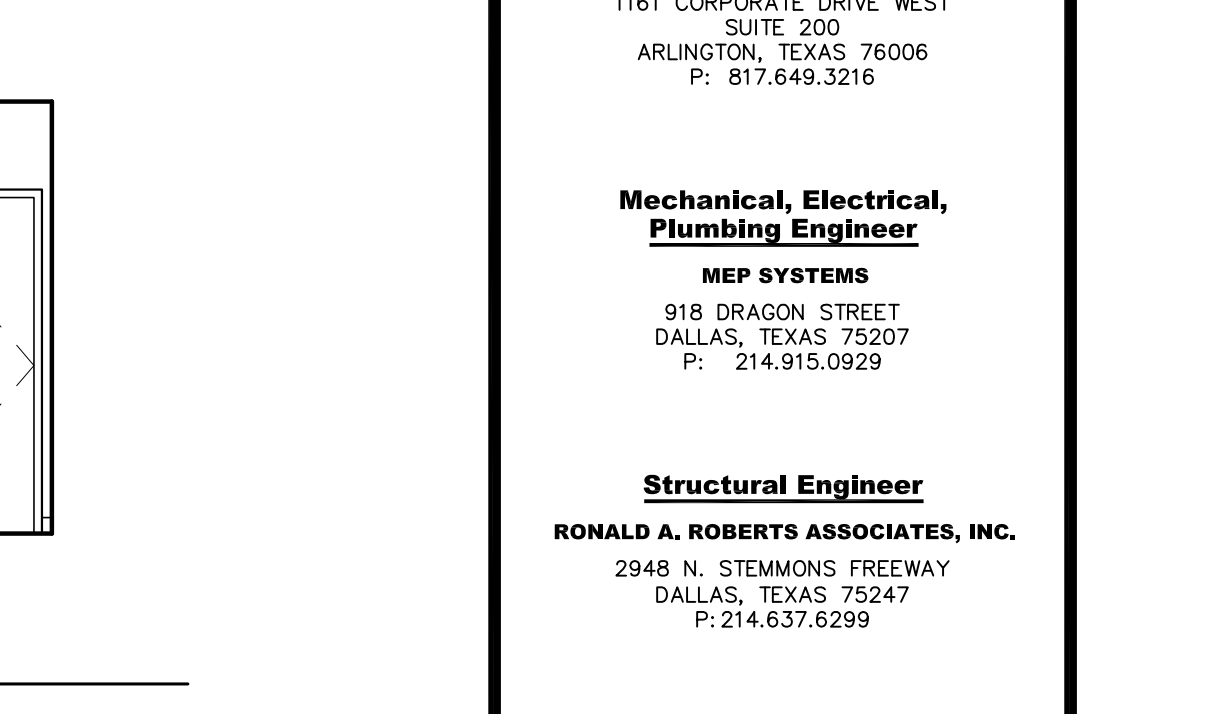
7 WOMENS
SCALE: 1/4" = 1'-0"



6 MENS
SCALE: 1/4" = 1'-0"



5 MENS
SCALE: 1/4" = 1'-0"



5 MENS
SCALE: 1/4" = 1'-0"