

Civil Engineer
SCHICKEL ROLLINS AND ASSOCIATES, INC.
1161 CORPORATE DRIVE WEST
SUITE 200
ARLINGTON, TEXAS 76006
P: 817.649.3216

Mechanical, Electrical, Plumbing Engineer
MEP SYSTEMS
918 DRAGON STREET
DALLAS, TEXAS 75207
P: 214.915.0929

Structural Engineer
RONALD A. ROBERTS ASSOCIATES, INC.
2948 N. STEMMONS FREEWAY
DALLAS, TEXAS 75227
P: 214.637.6299

Kitchen Consultant
PROFITABLE FOOD FACILITIES
14025 Donnell Drive
POWAY, CALIFORNIA 92064
P: 858.748.7333

A/V Consultant
ACHIEVE AV, INC.
730 West St
CEDAR HILL, TEXAS 75104
P: 214.884.5951

ARLINGTON
THE AMERICAN DREAM CITY
CHESTER W. DITTO GOLF COURSE CLUBHOUSE
CITY OF ARLINGTON
801 BROWN BLVD - ARLINGTON, TX 76011

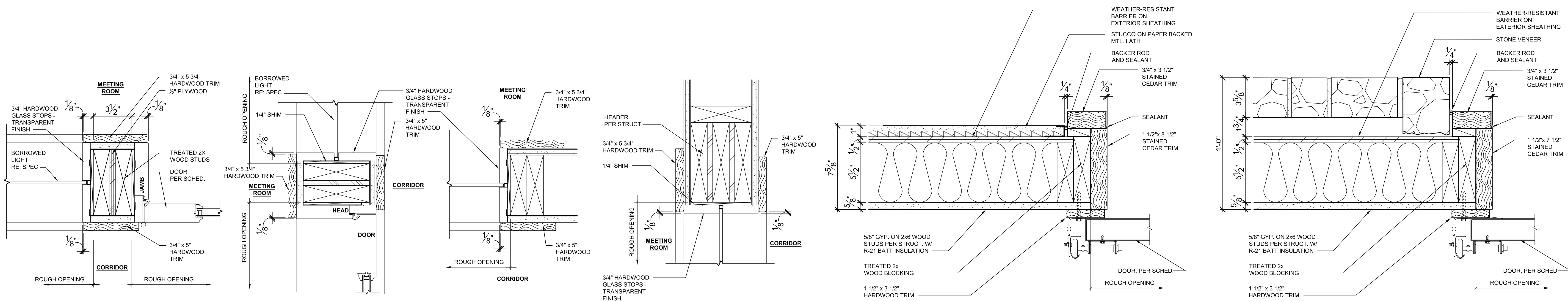
No.	Date
Revisions	
Project No.	21538.00
Drawn	- KLH
- DIM	
- KL	
- KJM	
Checked	- MDS
-	
Approved	
-	
Key:	Engineer

CONSTRUCTION DOCUMENTS

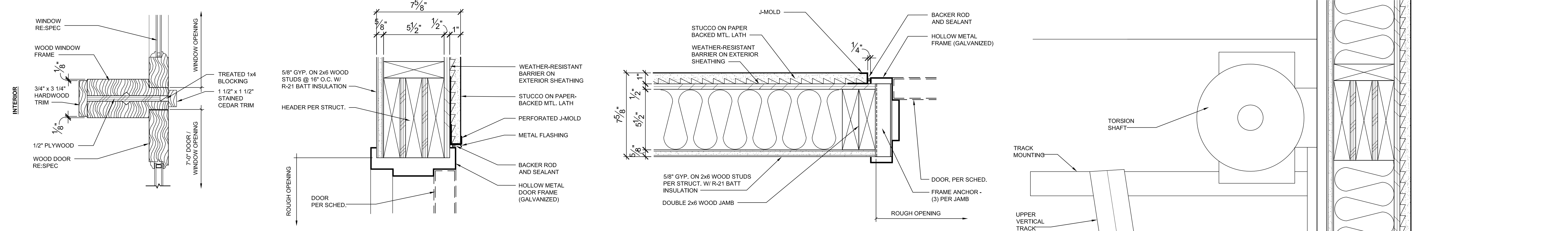
Title:
DOOR DETAILS

Drawing No.
A-521

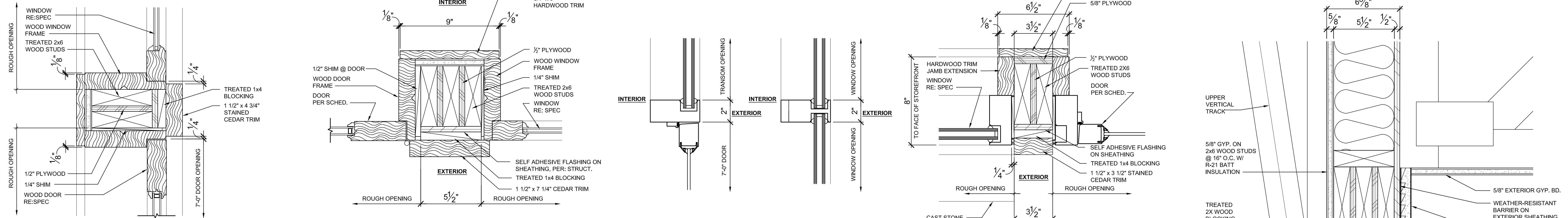
Issue Date
OCTOBER 25, 2017



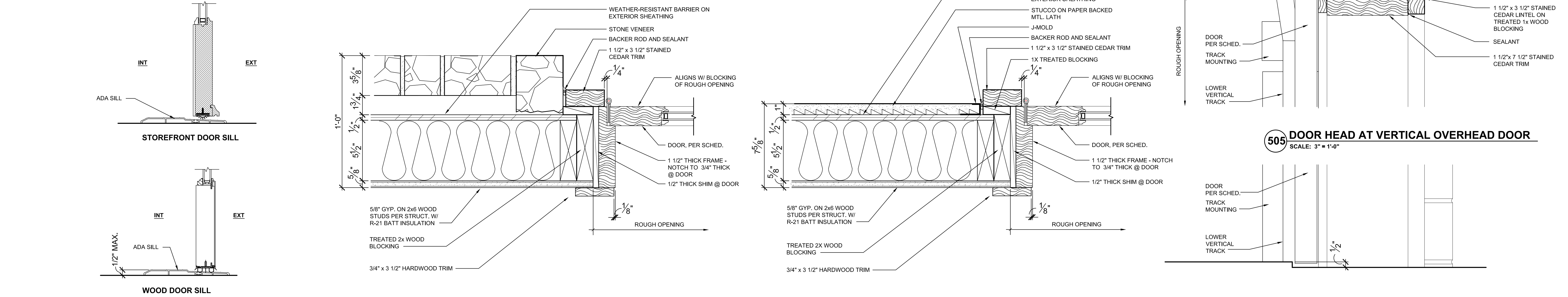
604 DOOR JAMB / BORROWED LIGHT JAMB SCALE: 3" = 1'-0"
603 DOOR HEAD / BORROWED LIGHT SILL SCALE: 3" = 1'-0"
602 BORROWED LIGHT JAMB SCALE: 3" = 1'-0"
601 BORROWED LIGHT HEAD SCALE: 3" = 1'-0"
515 DOOR JAMB AT VERTICAL OVERHEAD DOOR - STUCCO SCALE: 3" = 1'-0"
514 DOOR JAMB AT VERTICAL OVERHEAD DOOR - STONE SCALE: 3" = 1'-0"



513 DOOR HEAD / TRANSOM WINDOW (WOOD) SCALE: 3" = 1'-0"
512 HEAD AT HOLLOW METAL DOOR SCALE: 3" = 1'-0"
511 JAMB AT HOLLOW METAL DOOR SCALE: 3" = 1'-0"
510 LIFT MECHANISM AT VERTICAL OVERHEAD DOOR SCALE: 3" = 1'-0"



509 DOOR HEAD / TRANSOM WINDOW (WOOD) SCALE: 3" = 1'-0"
508 JAMB AT DOOR / WINDOW (WOOD) SCALE: 3" = 1'-0"
507 DOOR HEAD (STOREFRONT) SCALE: 3" = 1'-0"
507a MULLION SCALE: 3" = 1'-0"
506 JAMB AT DOOR / WINDOW (STOREFRONT) SCALE: 3" = 1'-0"



505 DOOR HEAD AT VERTICAL OVERHEAD DOOR SCALE: 3" = 1'-0"
504 ADA SILL SCALE: 3" = 1'-0"
503 JAMB AT STONE VENEER (WOOD) SCALE: 3" = 1'-0"
502 JAMB AT STUCCO VENEER (WOOD) SCALE: 3" = 1'-0"
501 SILL AT VERTICAL OVERHEAD DOOR SCALE: 3" = 1'-0"