

**Civil Engineer**  
**SCHRICKEL, ROLLINS AND ASSOCIATES, INC.**  
1161 CORPORATE DRIVE WEST SUITE 200  
ARLINGTON, TEXAS 76006  
P: 817.649.3216

**Mechanical, Electrical, Plumbing Engineer**  
**MEP SYSTEMS**  
918 DRAGON STREET  
DALLAS, TEXAS 75207  
P: 214.915.0929

**Structural Engineer**  
**RONALD A. ROBERTS ASSOCIATES, INC.**  
2948 N. STEMMONS FREEWAY  
DALLAS, TEXAS 75207  
P: 214.637.6299

**Kitchen Consultant**  
**PROFITABLE FOOD FACILITIES**  
14026 Dornier Drive  
POWAY, CALIFORNIA 92064  
P: 858.748.7335

**AV Consultant**  
**ACHEVE AV, INC.**  
730 Ward Dr.  
CEDAR HILL, TEXAS 75104  
P: 214.884.5951



No. | Date

Revisions

Project No. 21538.00

Drawn

Checked

Approved

Key:

PLAN NORTH

**CONSTRUCTION DOCUMENTS**

Title:

**FRAMING DETAILS**

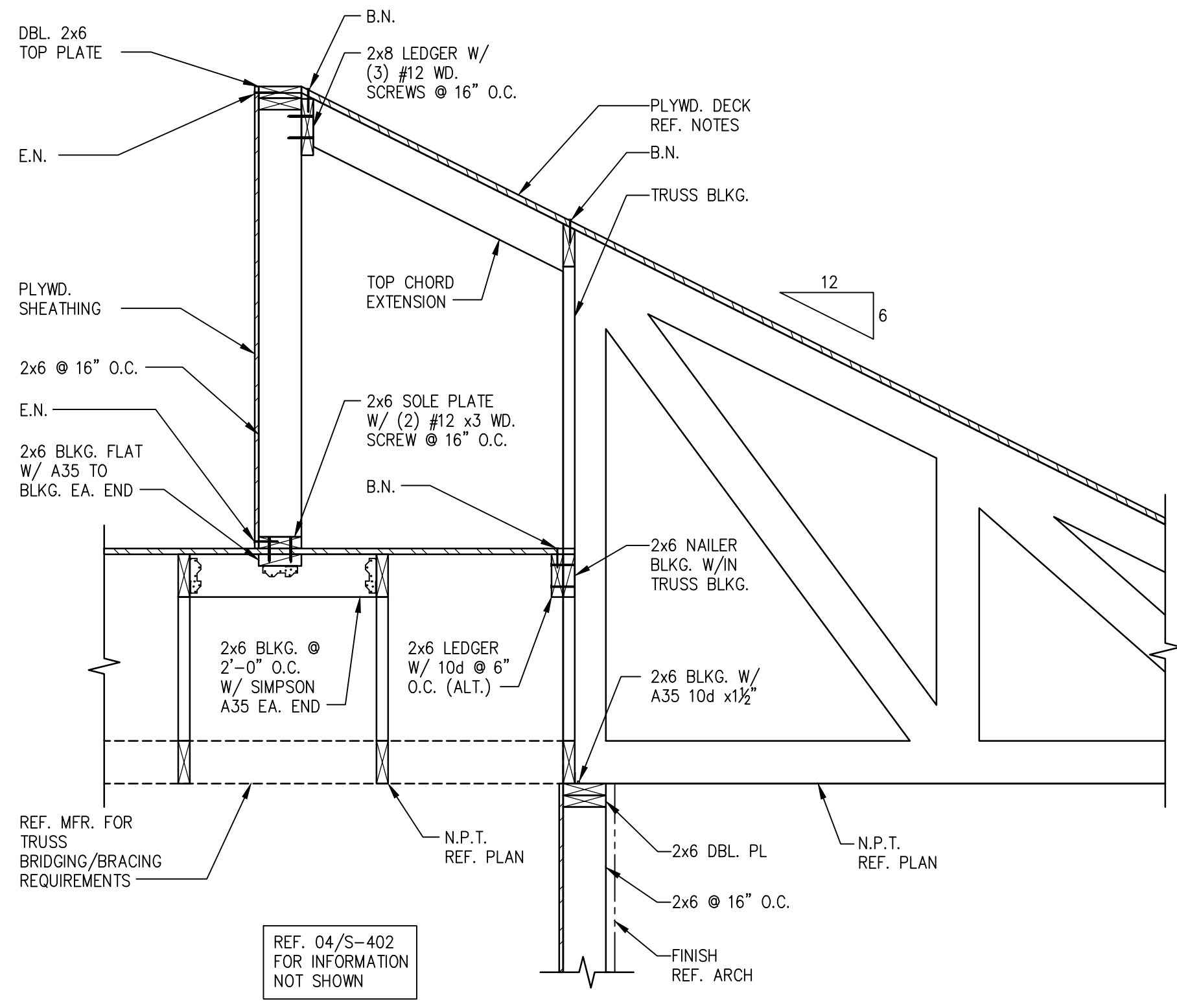
Drawing No.

**S-404**

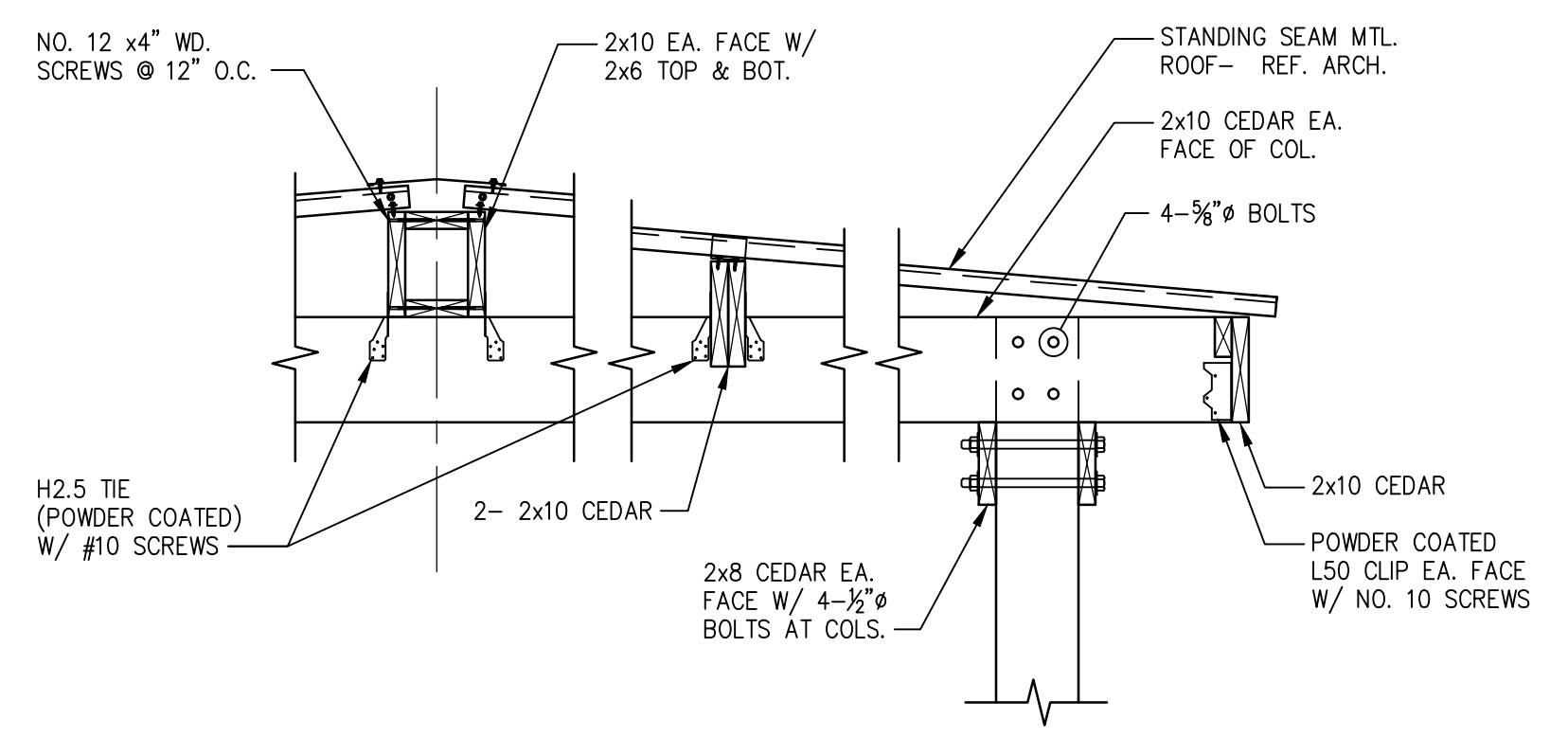
Issue Date

OCTOBER 25, 2017

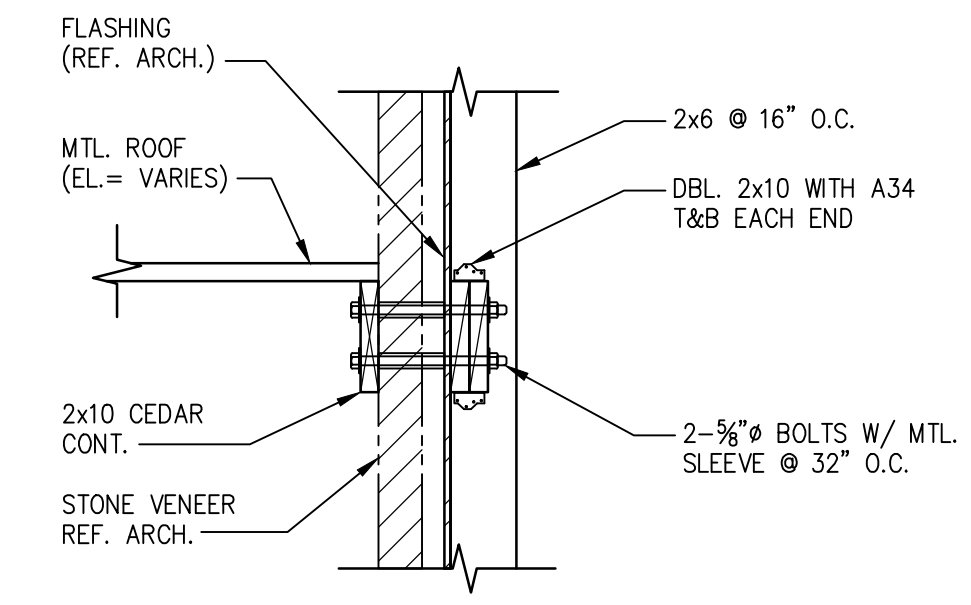
© COPYRIGHT REES ASSOCIATES, INC. 2017



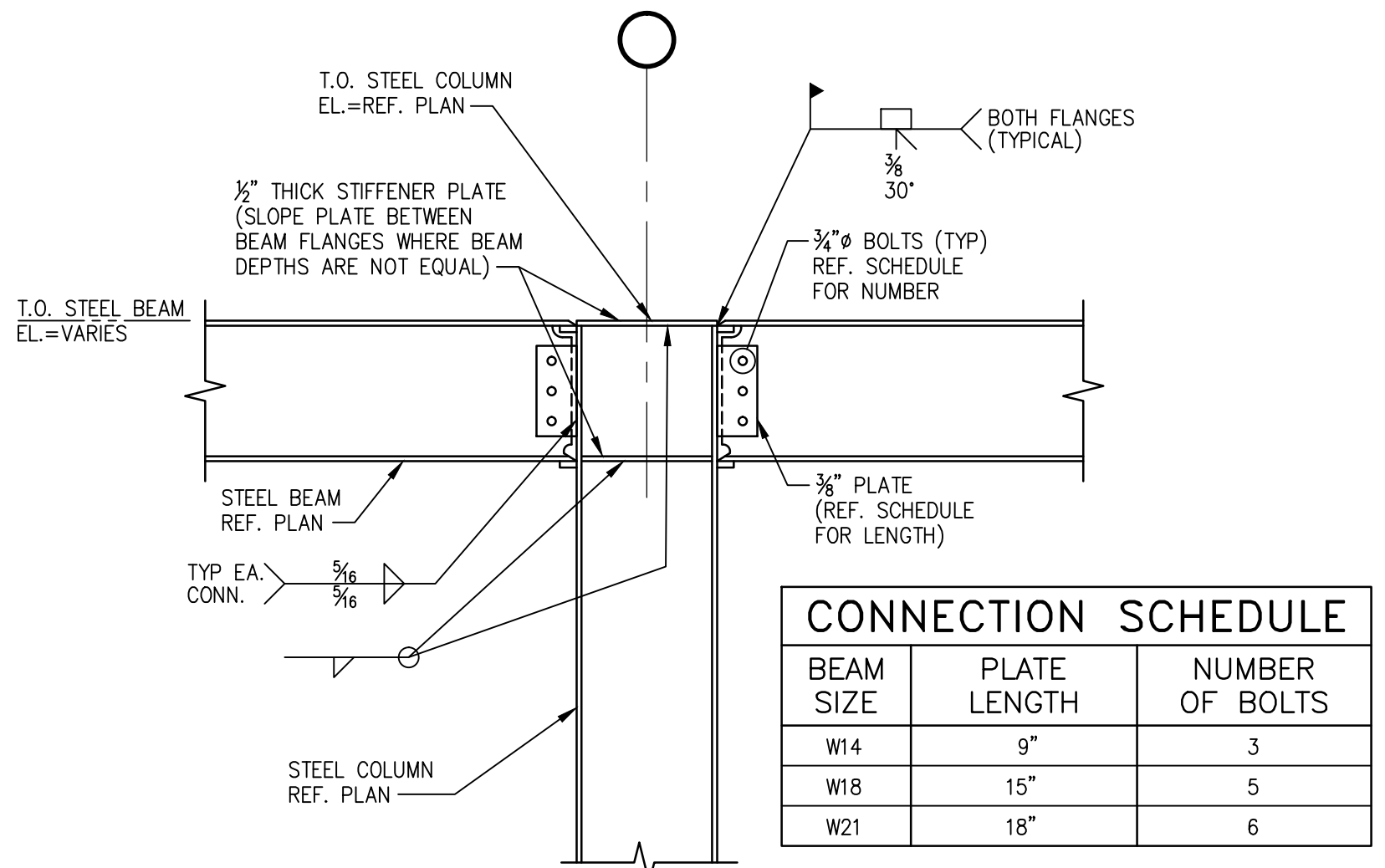
**01 SECTION**  
SCALE: 3/4"=1'-0"



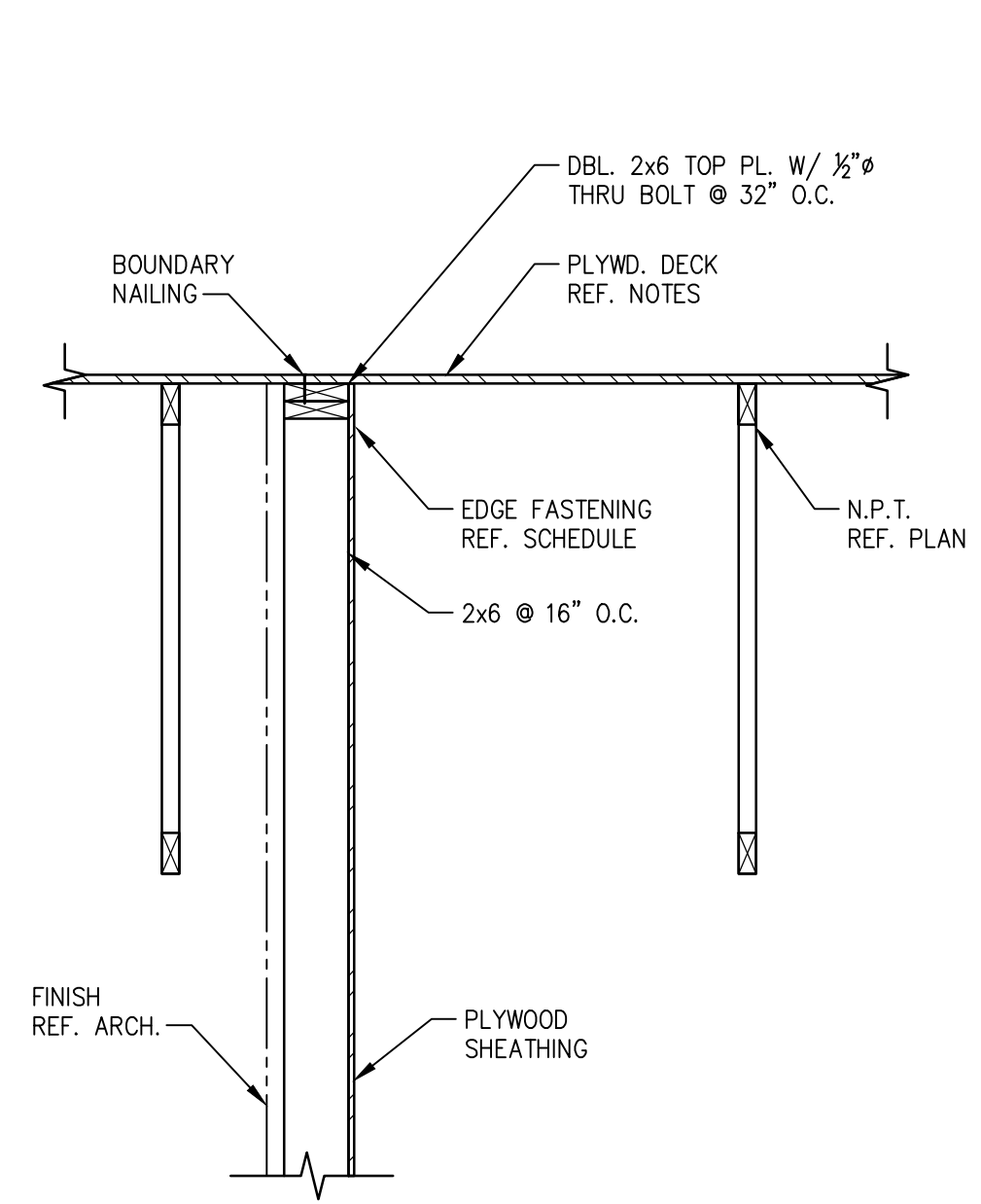
**02 SECTION**  
SCALE: 3/4"=1'-0"



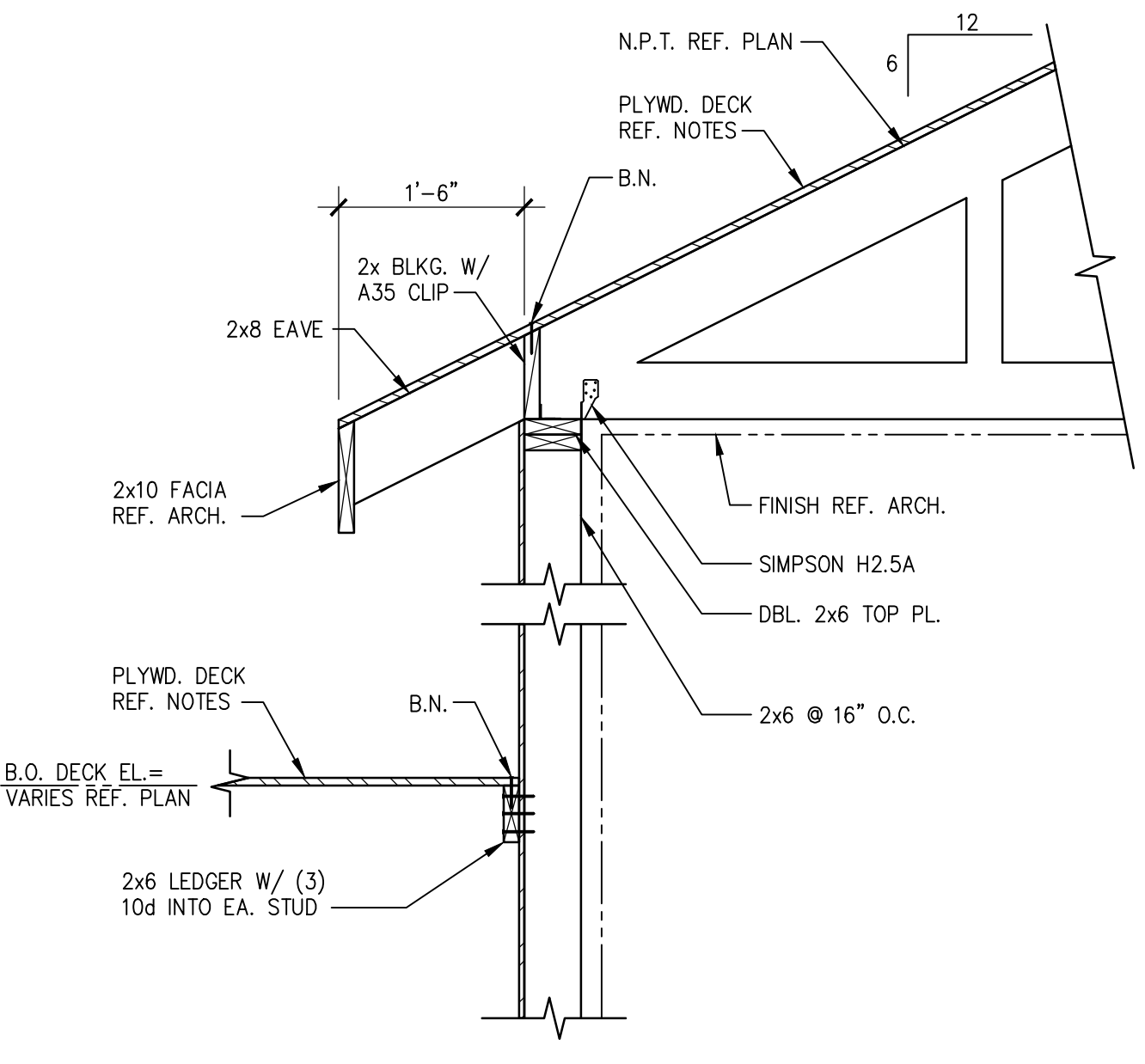
**03 SECTION**  
SCALE: 3/4"=1'-0"



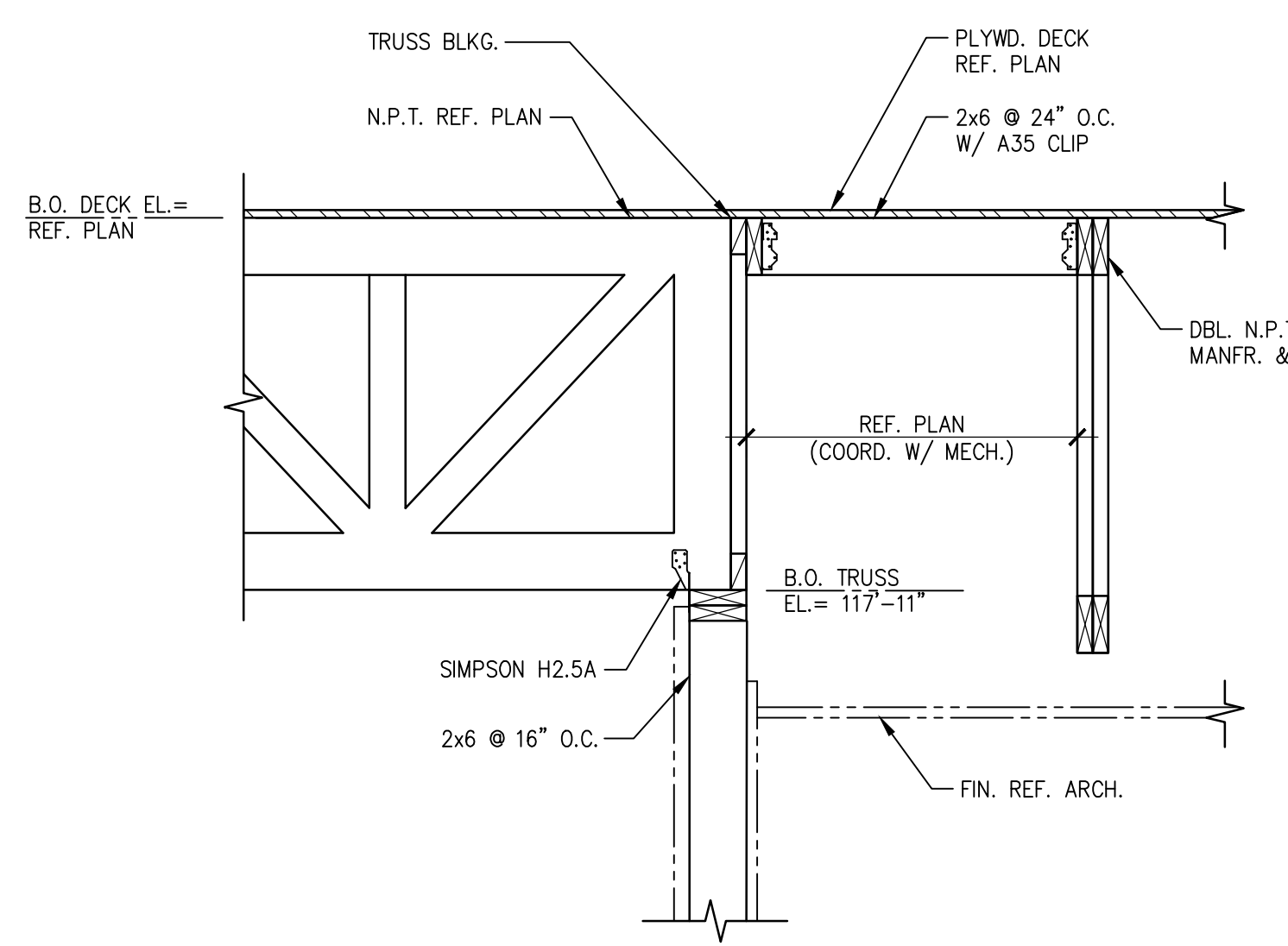
**04 SECTION**  
SCALE: 3/4"=1'-0"



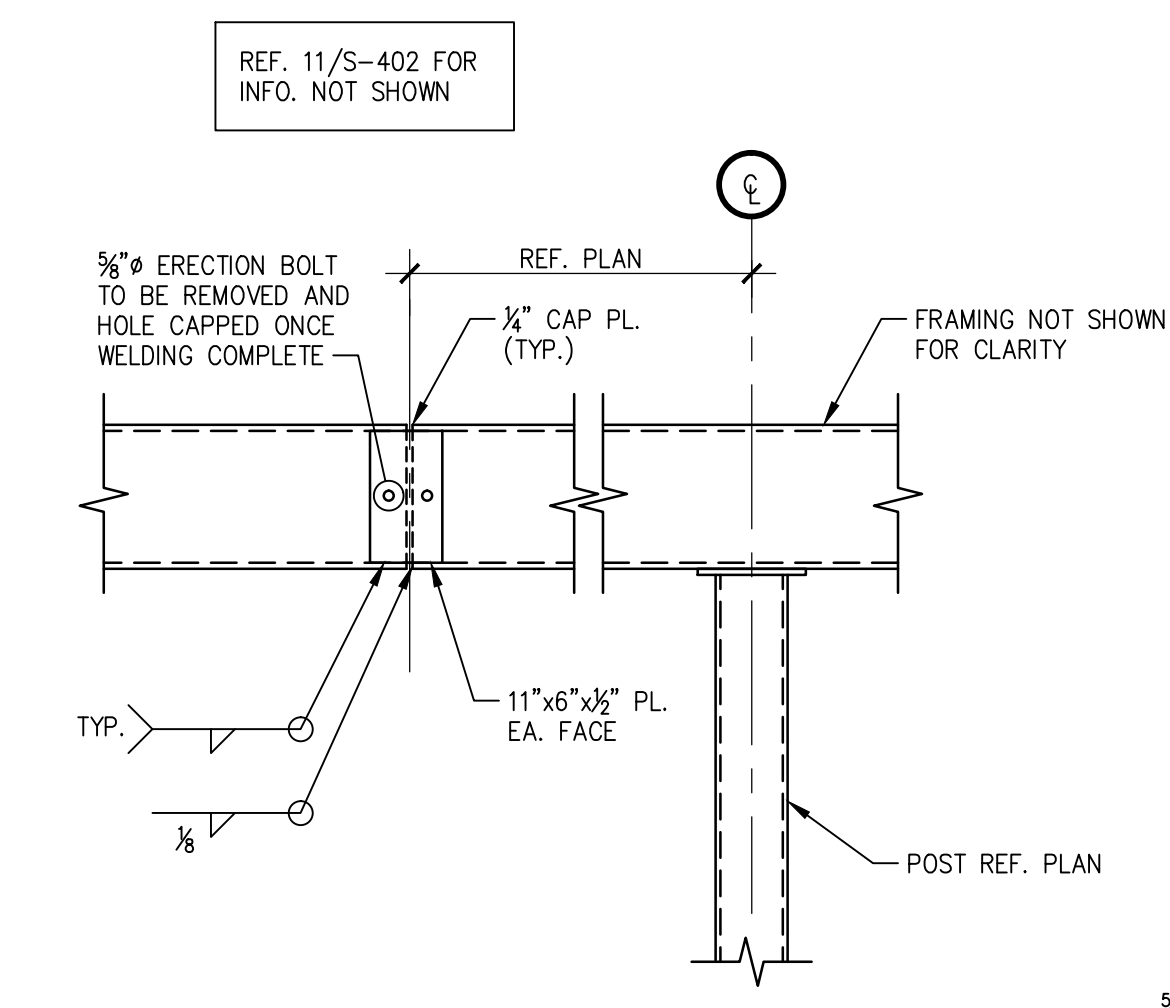
**05 SECTION**  
SCALE: 3/4"=1'-0"



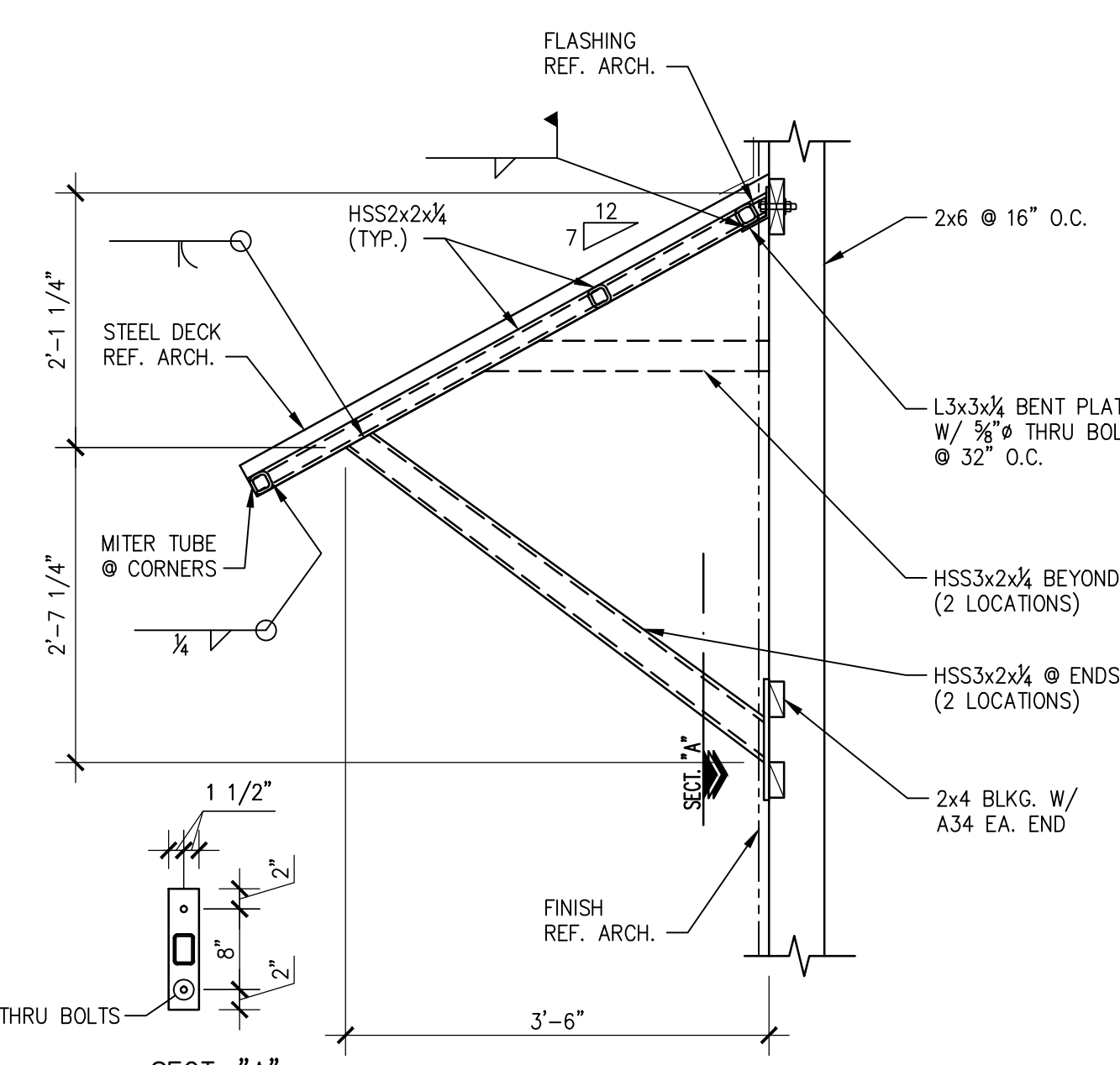
**06 SECTION**  
SCALE: 3/4"=1'-0"



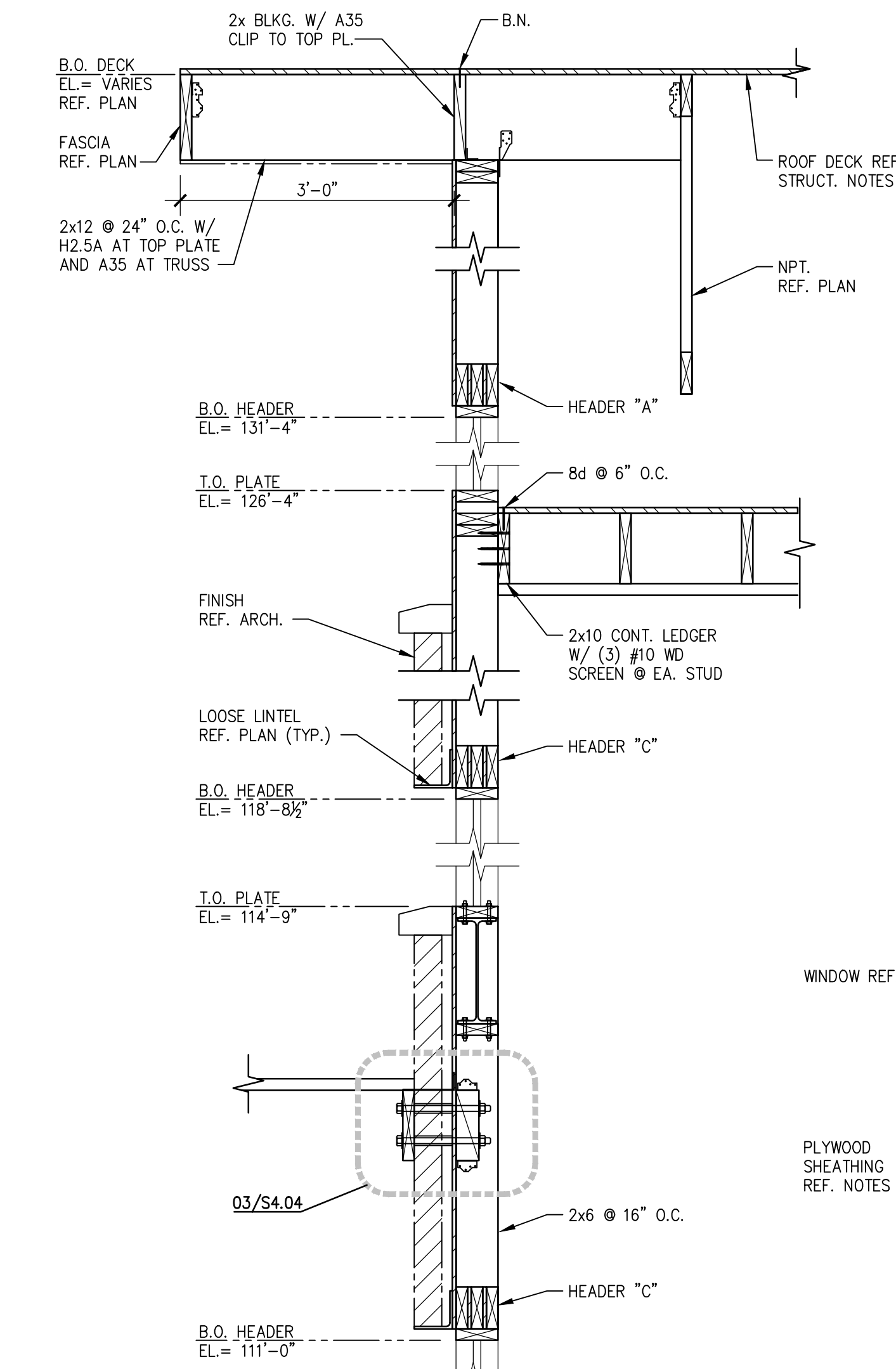
**07 SECTION**  
SCALE: 3/4"=1'-0"



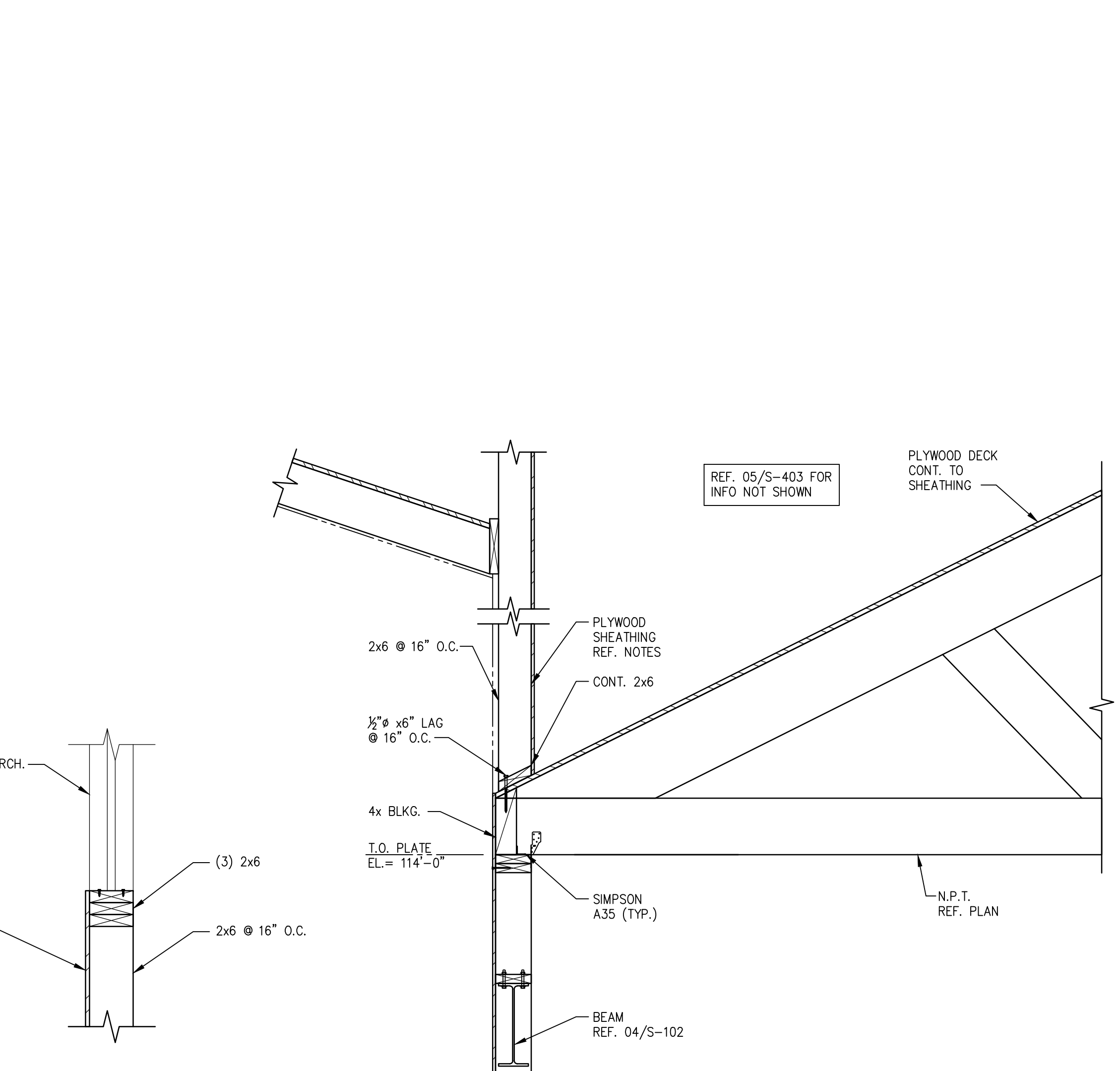
**08 SECTION**  
SCALE: 3/4"=1'-0"



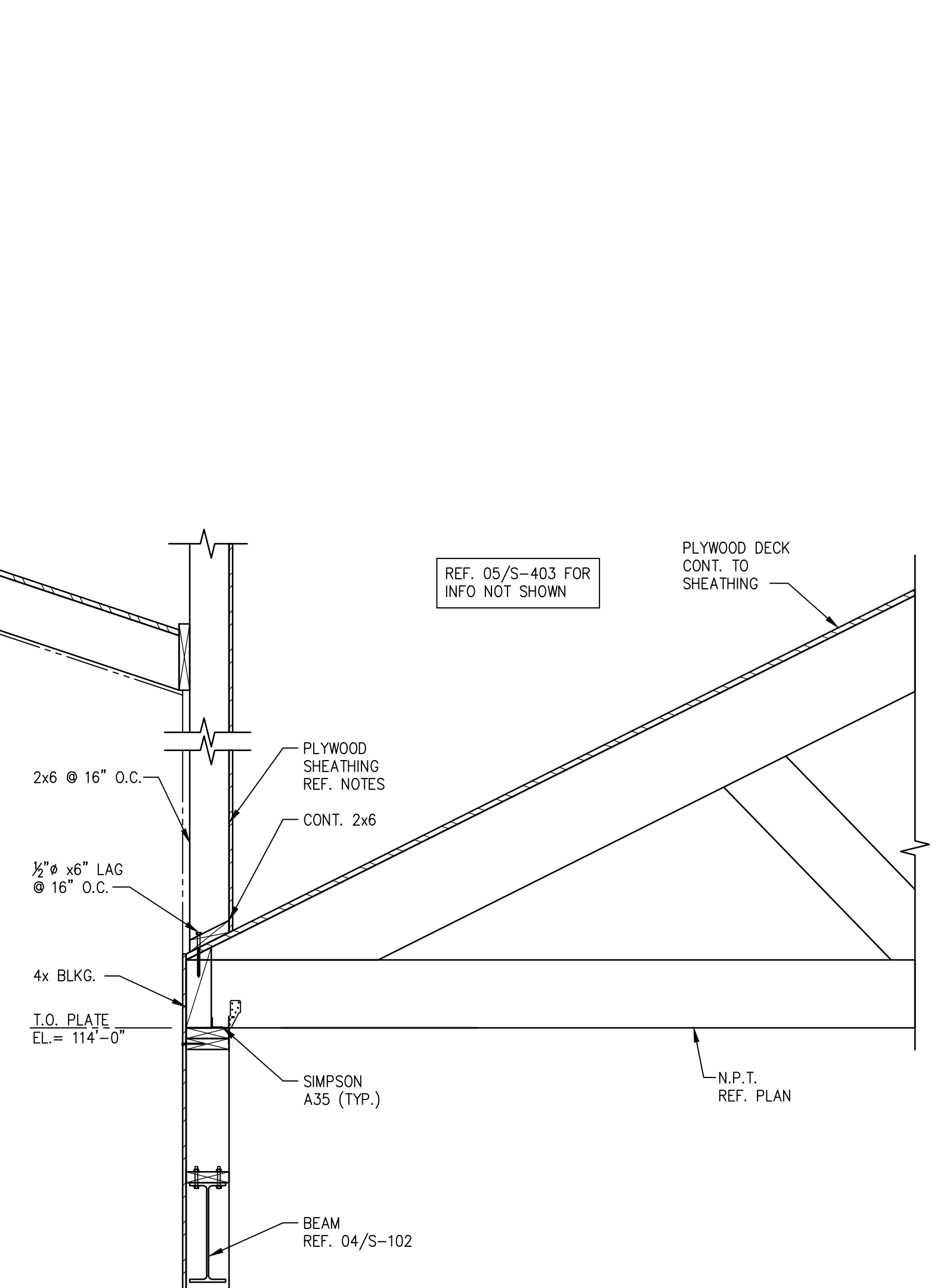
**09 SECTION**  
SCALE: 3/4"=1'-0"



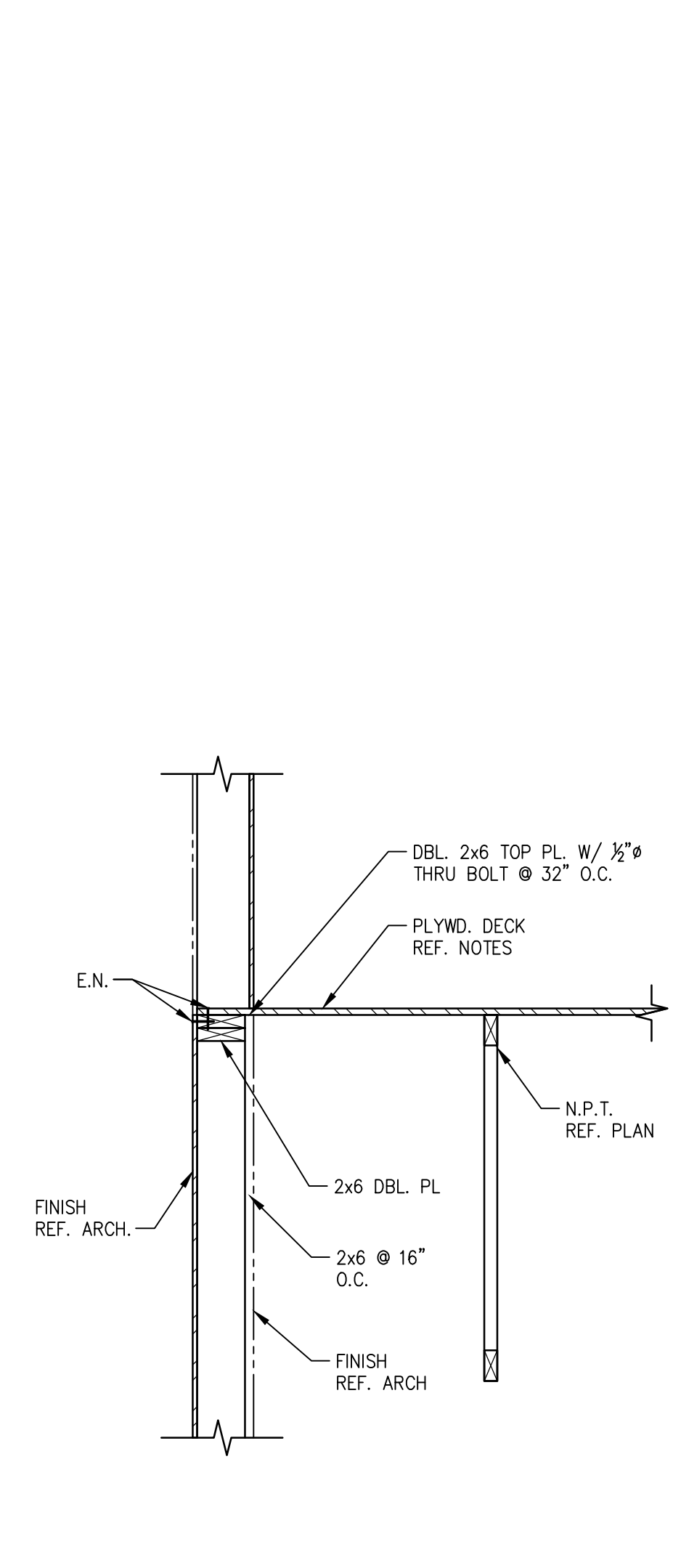
**10 SECTION**  
SCALE: 3/4"=1'-0"



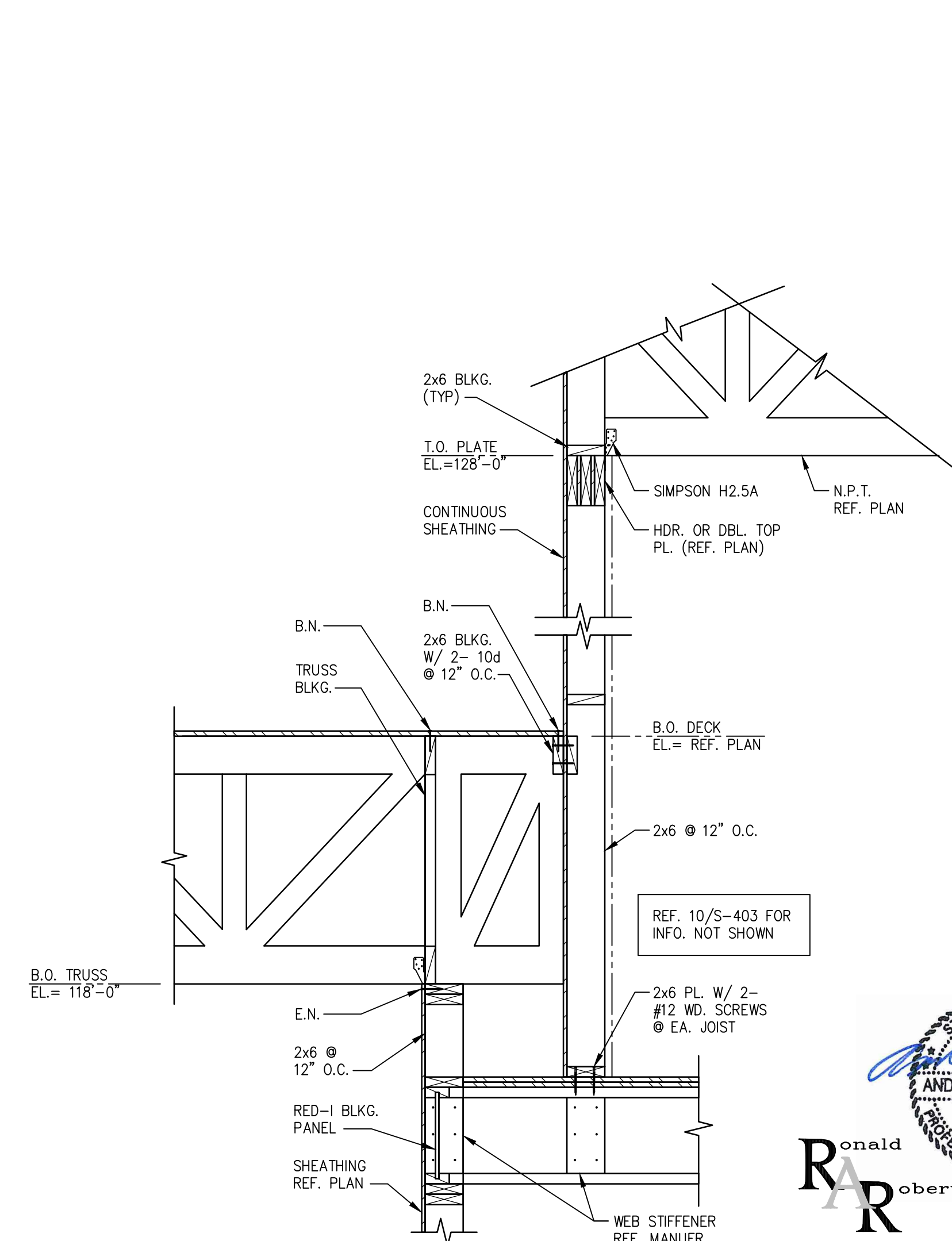
**11 SECTION**  
SCALE: 1"=1'-0"



**12 SECTION**  
SCALE: 3/4"=1'-0"



**13 SECTION**  
SCALE: 3/4"=1'-0"



**14 SECTION**  
SCALE: 3/4"=1'-0"

**Ronald A. Roberts Associates, Inc.**  
Consulting Engineers  
TX FIRM REG. #511  
2948 N. Stemmons Freeway  
Dallas, Texas 75247-0103  
Phone: (214) 637-6299  
www.rara.net

**Professional Engineer**  
ANDREW J. LLORET  
72614  
10/25/17

X:\PROJECTS\9501\9501\9501.dwg Chester W. Bitto Golf Course Arlingon TX.dwg 10/25/17 9:22:41 AM c:\Users\dwj\OneDrive\Documents\DWG TO PDF.dwg ARCH.dwg 11/14/2017 4:42:00 PM 1:1