

**Civil Engineer**  
SCHRICKEL, ROLLINS  
AND ASSOCIATES, INC.  
1161 CORPORATE DRIVE WEST  
SUITE 200  
ARLINGTON, TEXAS 76006  
P: 817.649.3216

**Mechanical, Electrical,  
Plumbing Engineer**  
MEP SYSTEMS  
918 DRAGON STREET  
DALLAS, TEXAS 75207  
P: 214.915.0929

**Structural Engineer**  
RONALD A. ROBERTS ASSOCIATES, INC.  
2948 N. STEMMONS FREEWAY  
DALLAS, TEXAS 75247  
P: 214.637.6299

**Kitchen Consultant**  
PROFITABLE FOOD FACILITIES  
14026 Donert Drive  
POWAY, CALIFORNIA 92064  
P: 858.748.7333

**A/V Consultant**  
ACHEVE AV, INC.  
730 Ward Dr.  
CEDAR HILL, TEXAS 75104  
P: 214.884.0951



**CHESTER W. BITTO GOLF COURSE  
CLUBHOUSE**  
CITY OF ARLINGTON  
801 BROWN BLVD - ARLINGTON, TX 76011

No. | Date

Revisions

Project No. 21538.00

Drawn

Checked

Approved

Key:

PLAN NORTH

**CONSTRUCTION DOCUMENTS**

Title:

FRAMING DETAILS

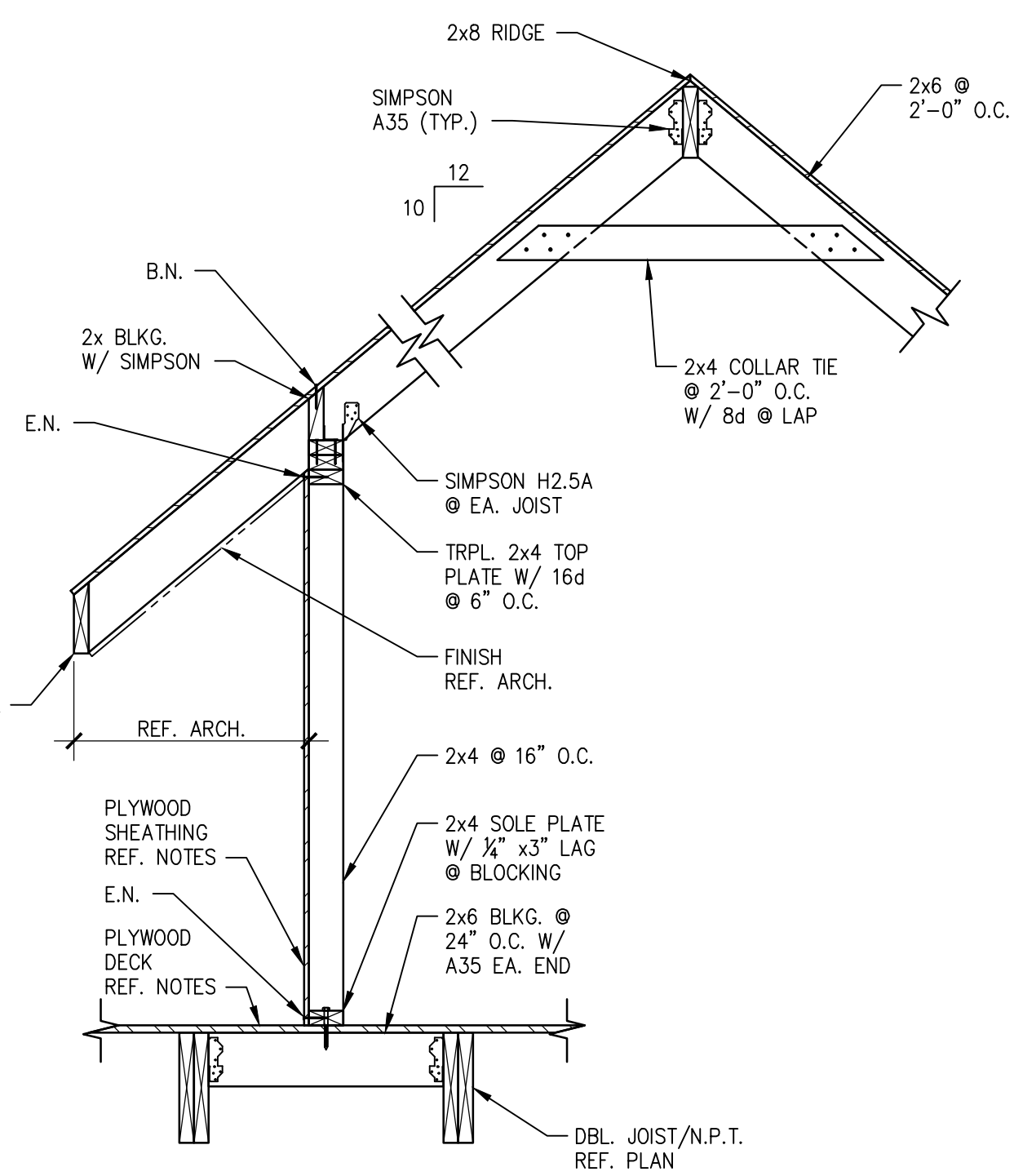
Drawing No.

**S-402**

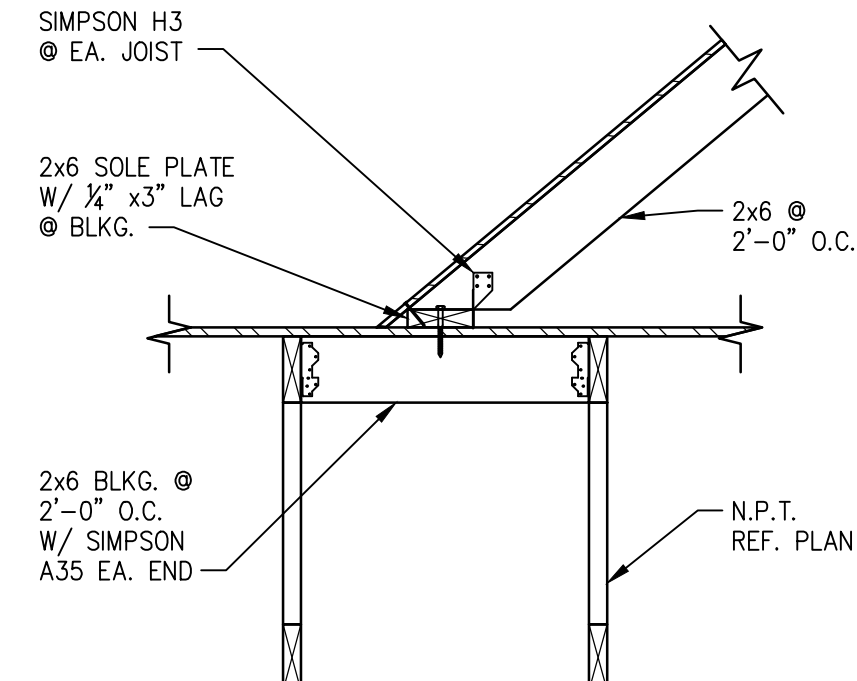
Issue Date

OCTOBER 25, 2017

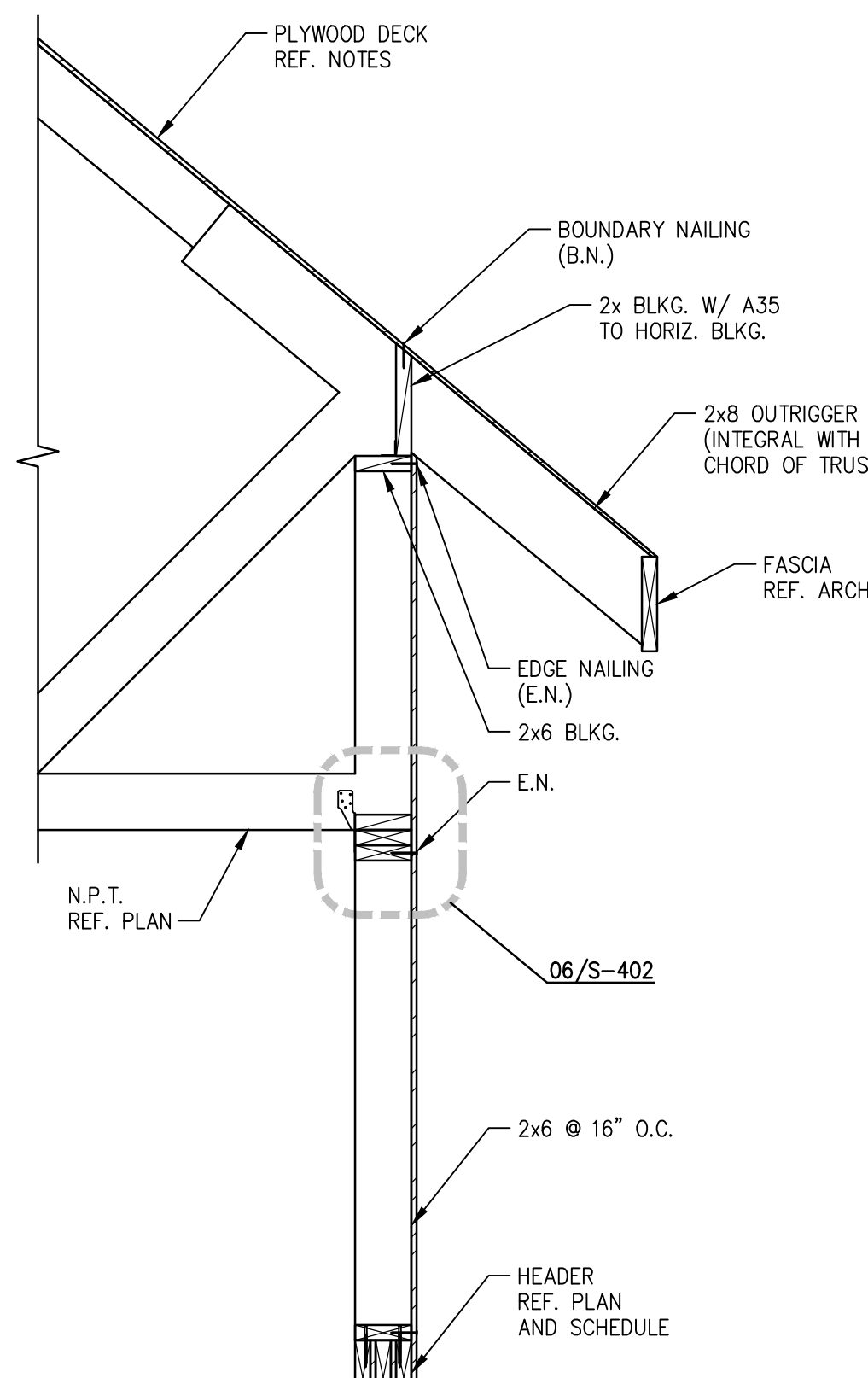
© COPYRIGHT REES ASSOCIATES, INC. 2017



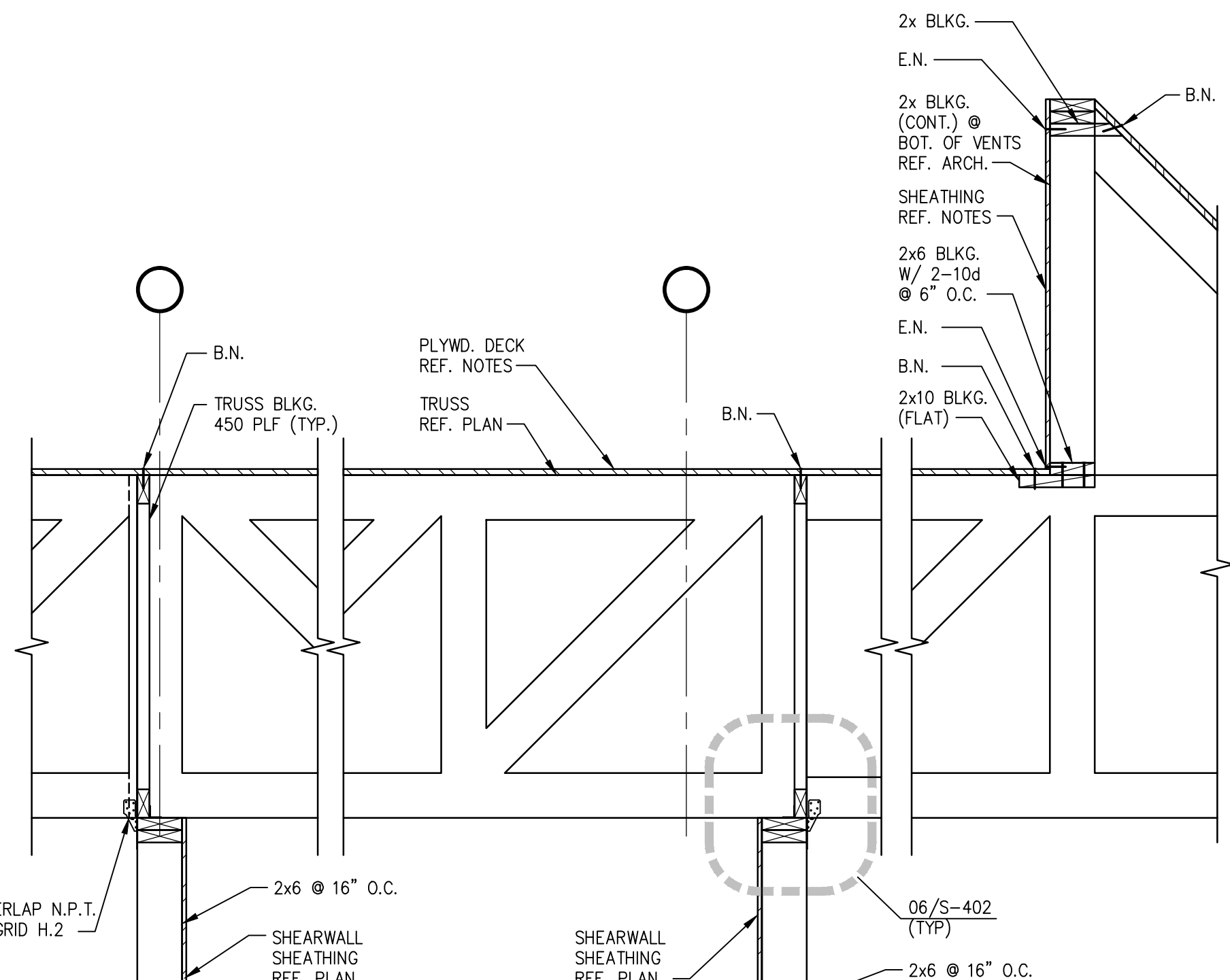
**01 SECTION**  
SCALE: 3/4"=1'-0"



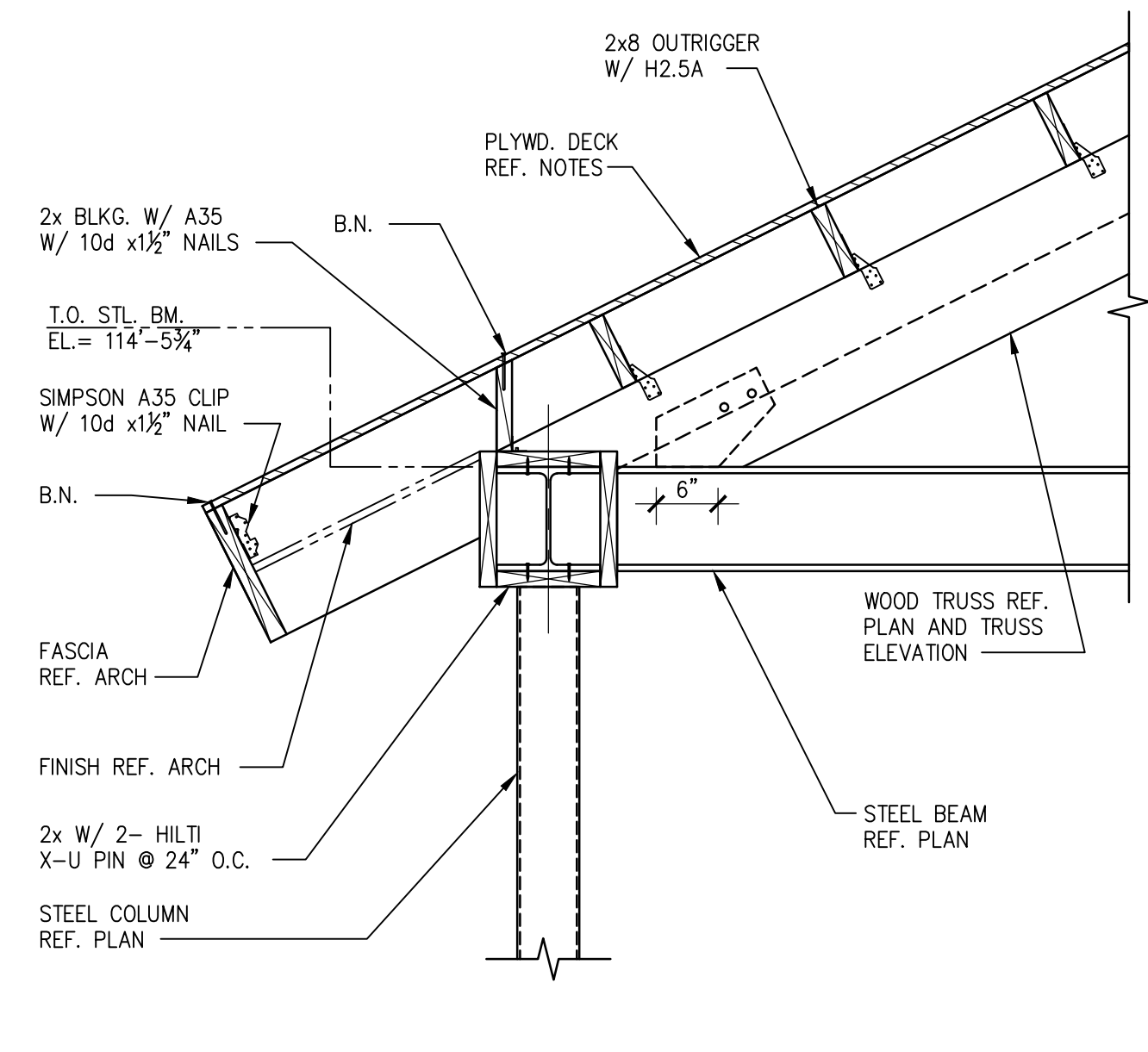
**02 SECTION**  
SCALE: 3/4"=1'-0"



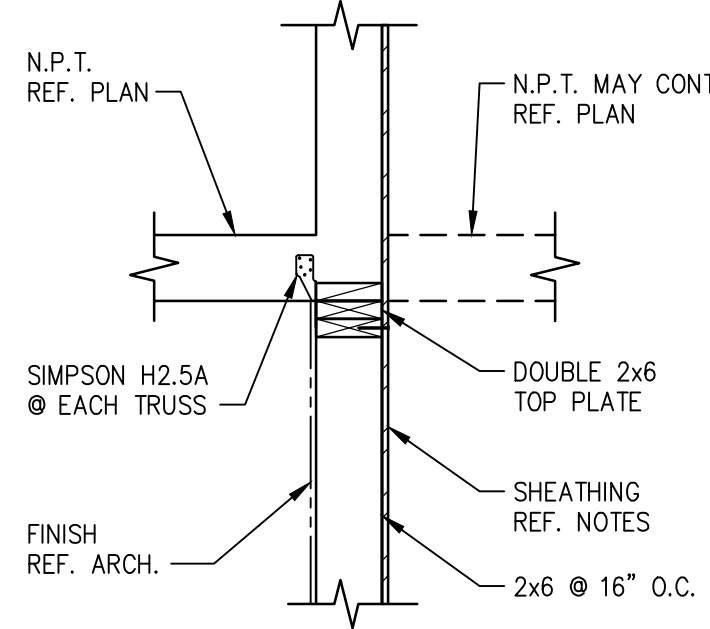
**03 SECTION**  
SCALE: 3/4"=1'-0"



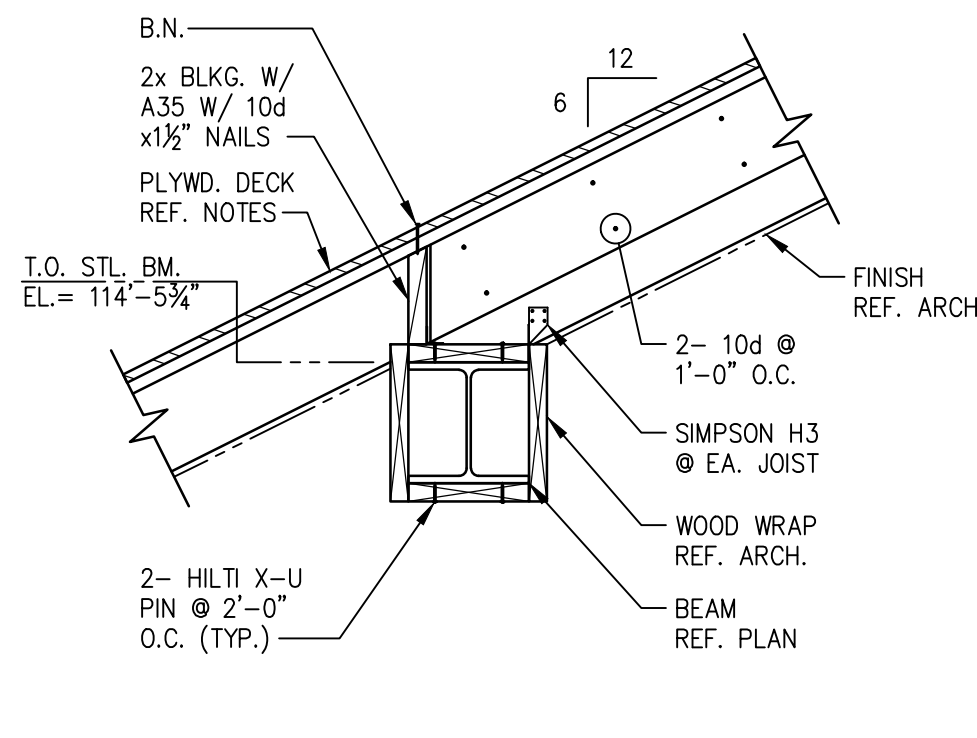
**04 SECTION**  
SCALE: 3/4"=1'-0"



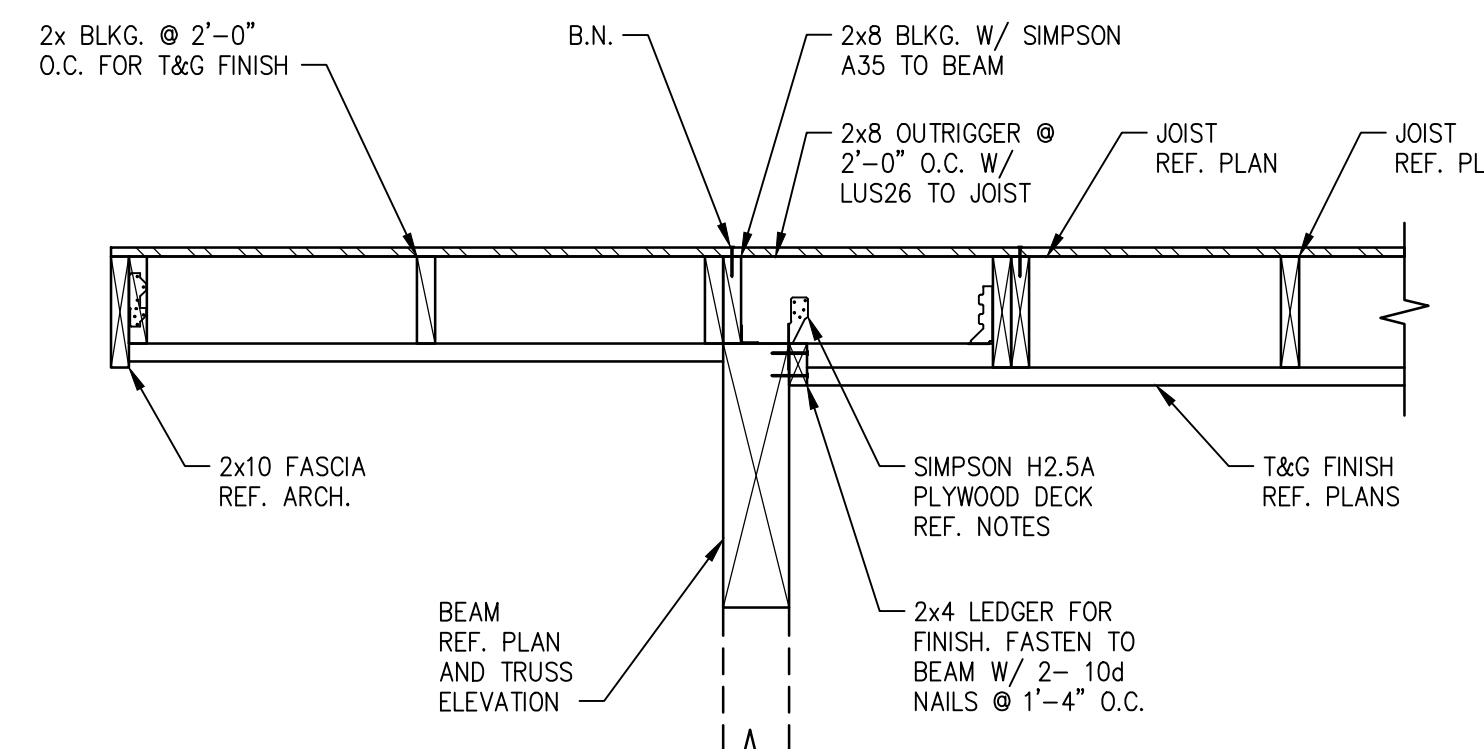
**05 SECTION**  
SCALE: 3/4"=1'-0"



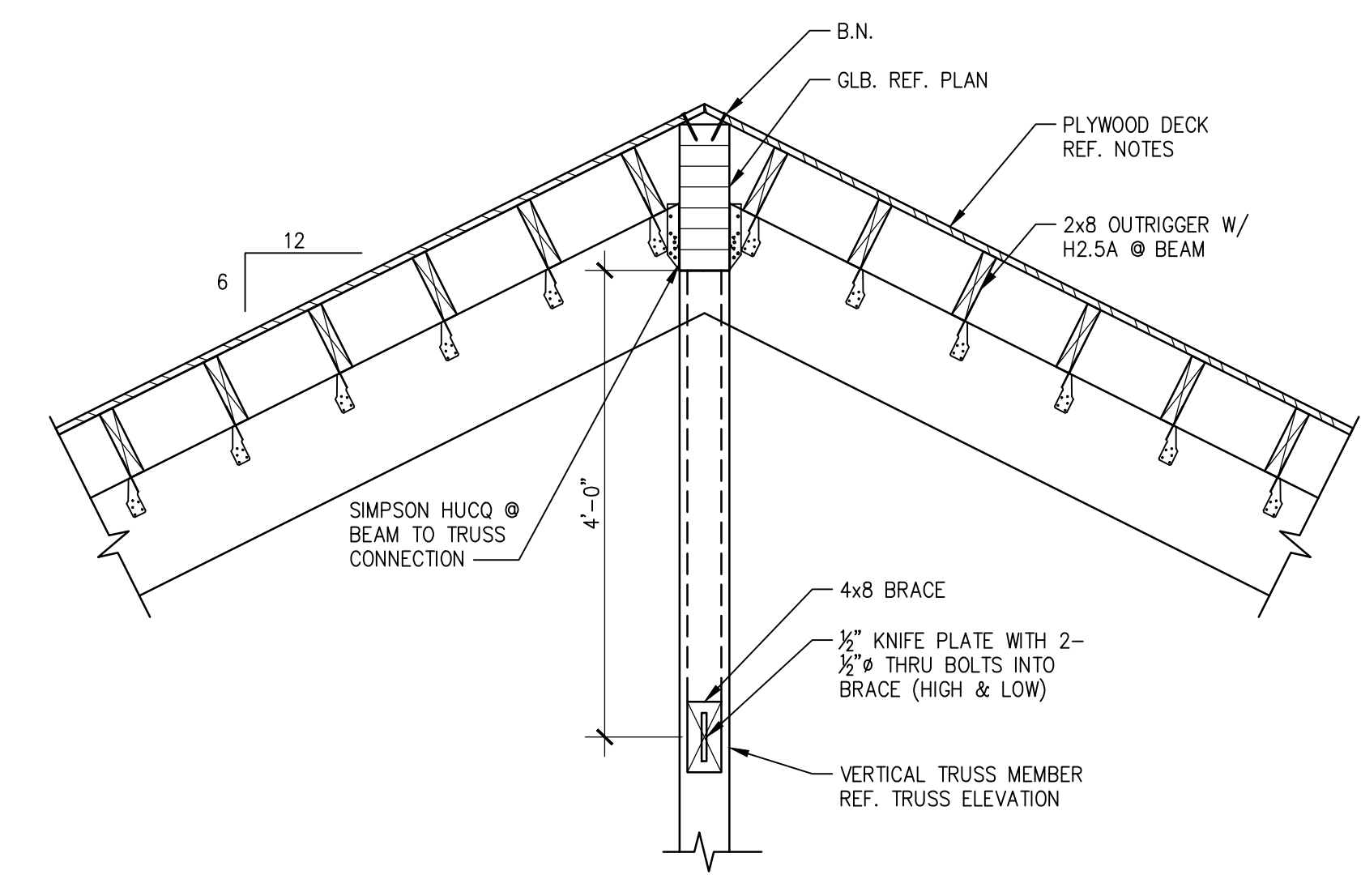
**06 SECTION**  
SCALE: 3/4"=1'-0"



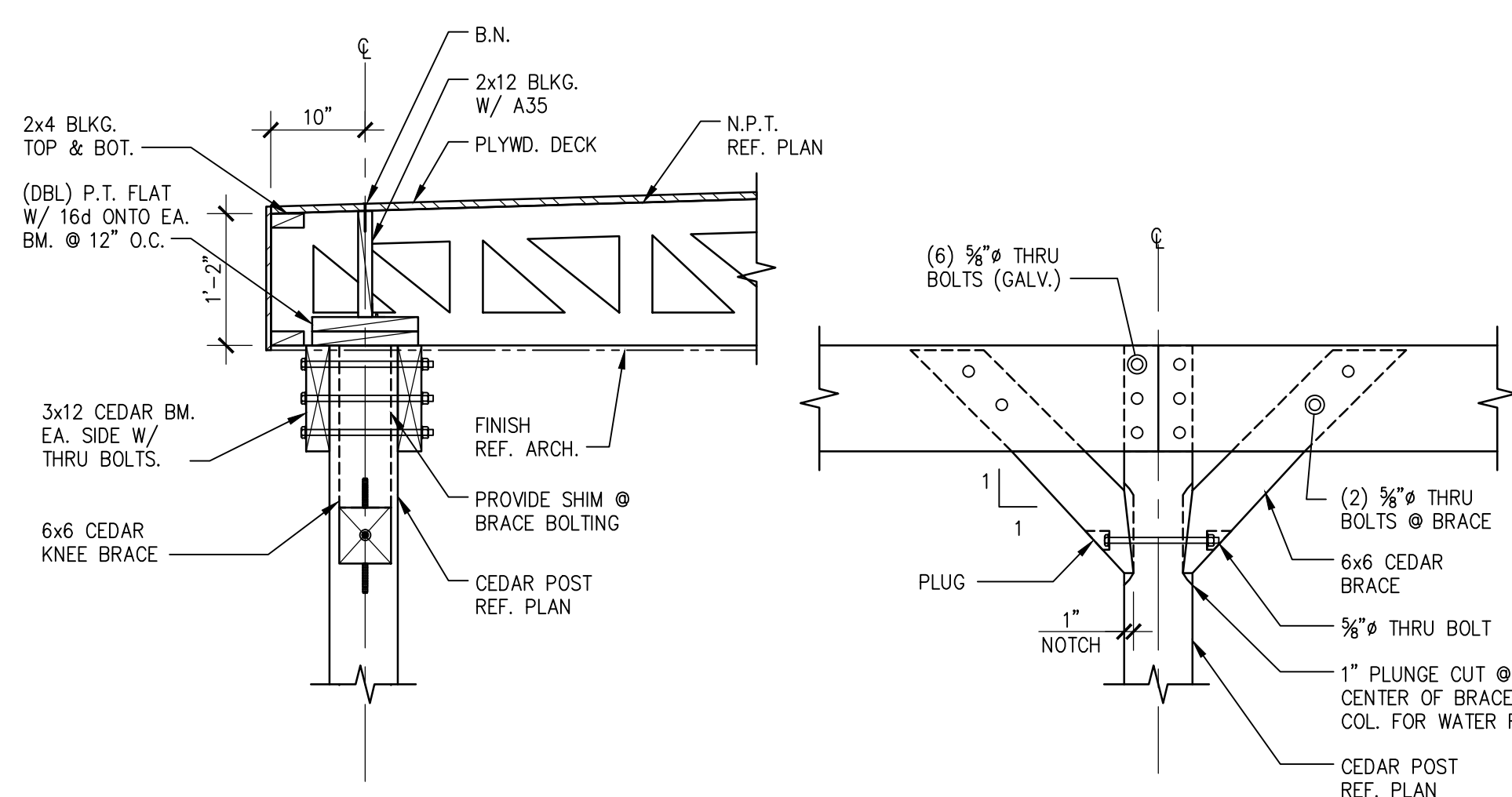
**07 SECTION**  
SCALE: 3/4"=1'-0"



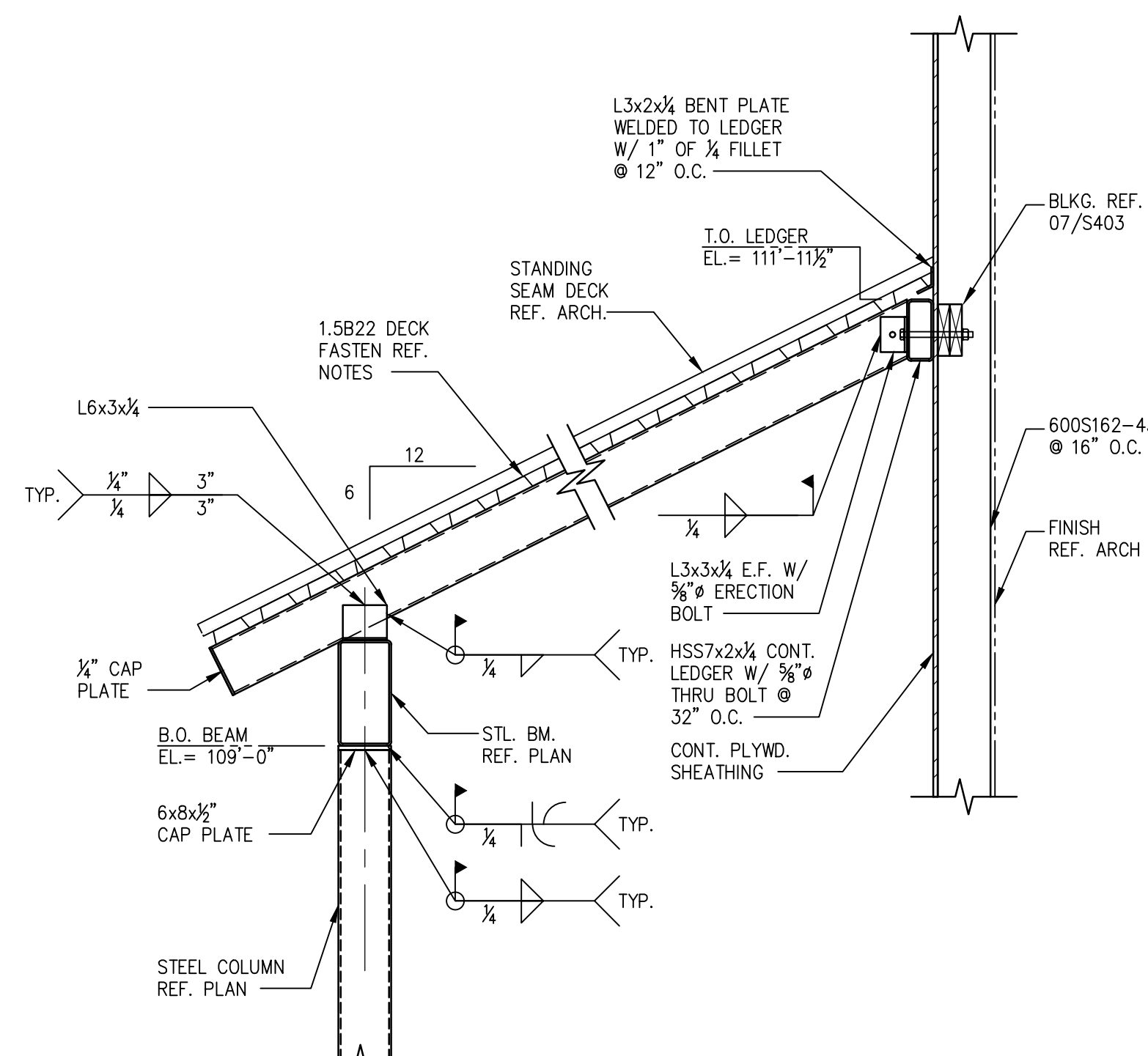
**08 SECTION**  
SCALE: 3/4"=1'-0"



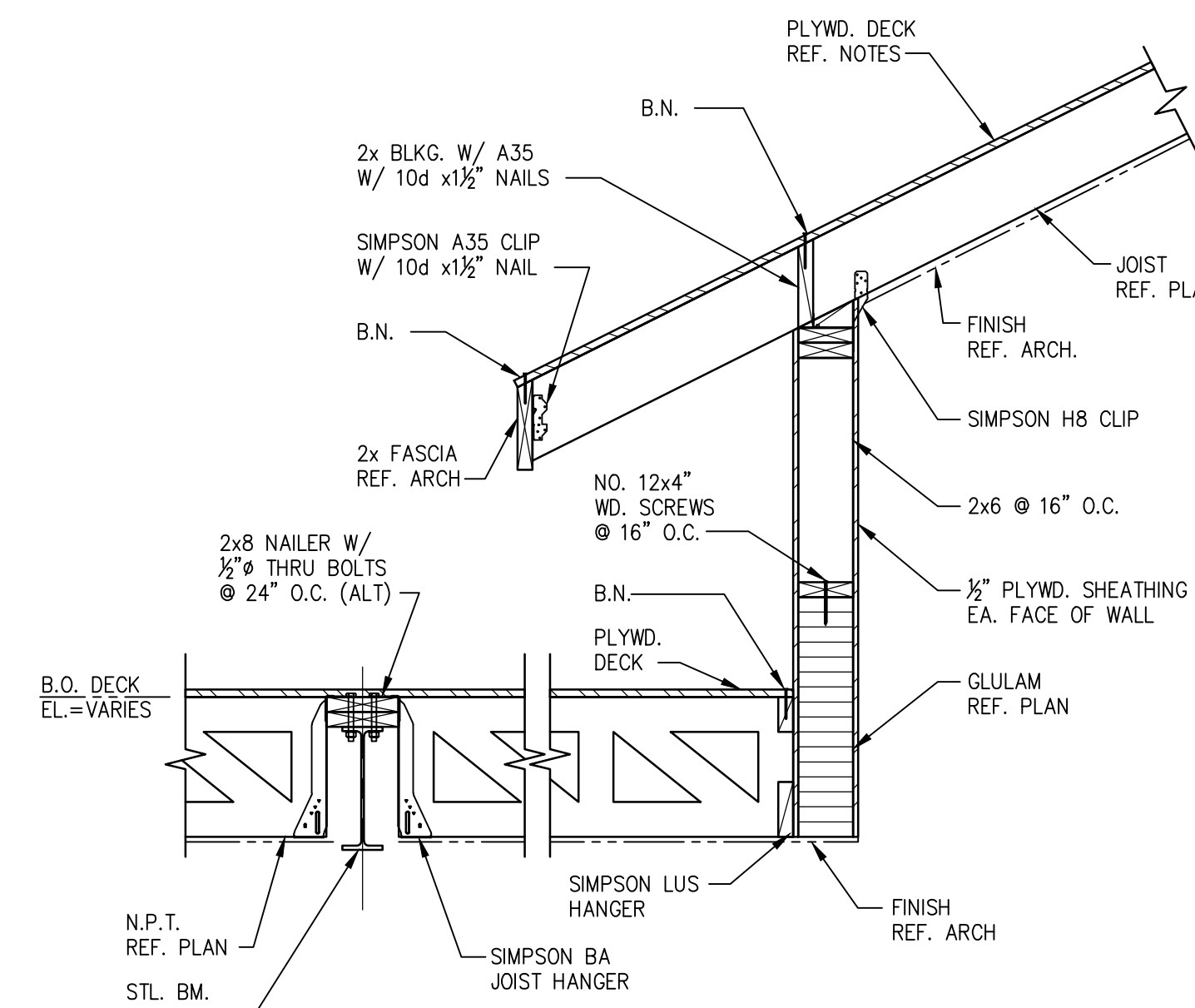
**09 SECTION**  
SCALE: 3/4"=1'-0"



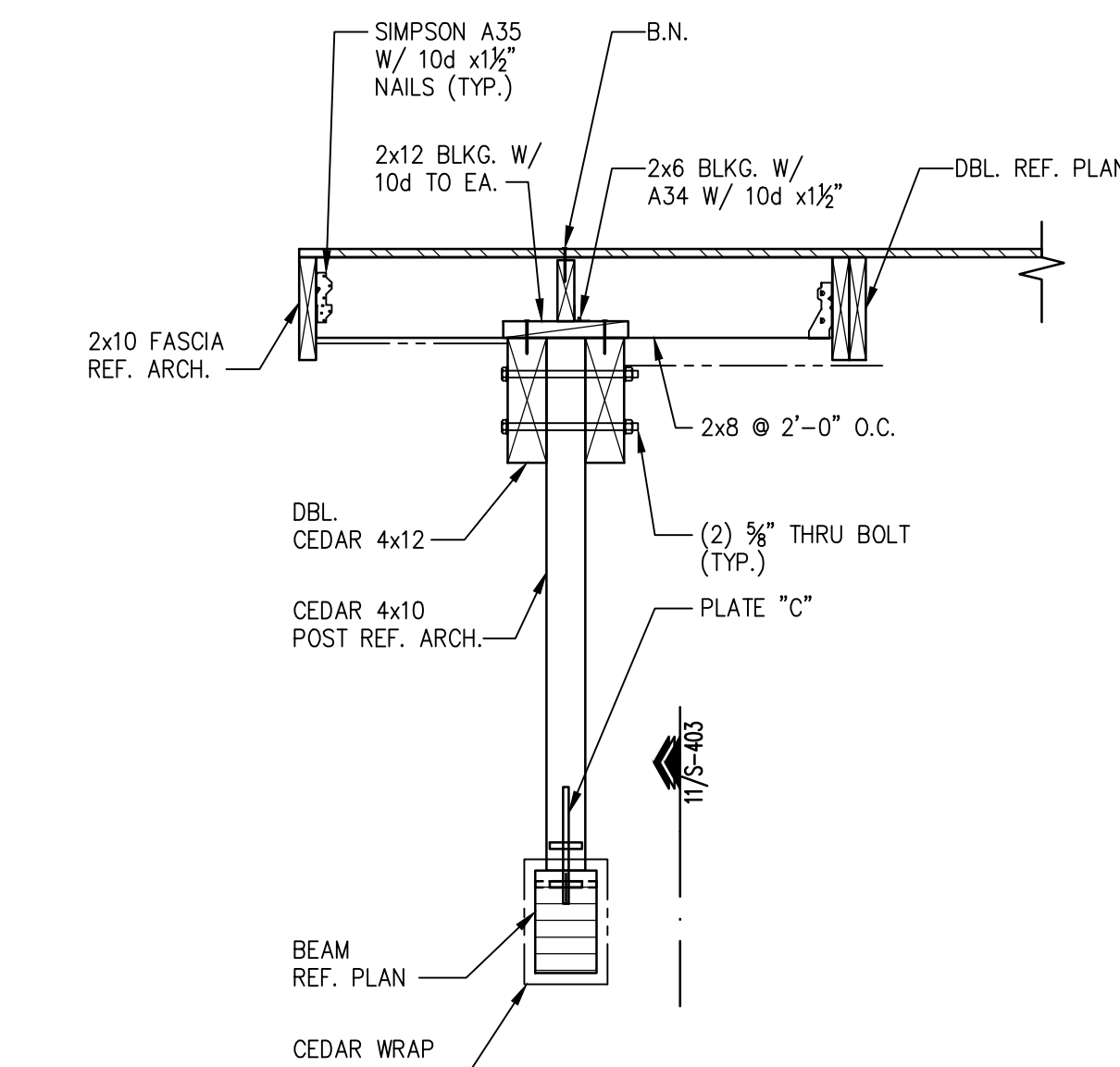
**10 SECTION**  
SCALE: 3/4"=1'-0"



**11 SECTION**  
SCALE: 3/4"=1'-0"



**12 SECTION**  
SCALE: 3/4"=1'-0"



**13 SECTION**  
SCALE: 3/4"=1'-0"



Ronald A. Roberts Associates, Inc.

Consulting Engineers  
TX FIRM REG. #511

2948 N. Stemmons Freeway  
Dallas, Texas 75247-0103  
Phone: (214) 637-6299  
www.rara.net

10/25/17