

Civil Engineer
SCHRIKEL, HOLLINS AND ASSOCIATES, INC.
1161 CORPORATE DRIVE WEST SUITE 200
ARLINGTON, TEXAS 76006
P: 817.649.3216

Mechanical, Electrical, Plumbing Engineer
MEP SYSTEMS
918 DRAGON STREET
DALLAS, TEXAS 75207
P: 214.915.0929

Structural Engineer
RONALD A. ROBERTS ASSOCIATES, INC.
2948 N. STEMMONS FREEWAY
DALLAS, TEXAS 75207
P: 214.637.6299

Kitchen Consultant
PROFITABLE FOOD FACILITIES
14026 Donert Drive
POWAY, CALIFORNIA 92064
P: 858.748.7333

AV Consultant
ACHEIVE AV, INC.
730 Ward Dr.
CEDAR HILL, TEXAS 75104
P: 214.884.9591



CHESTER W. BITTO GOLF COURSE CLUBHOUSE
CITY OF ARLINGTON
801 BROWN BLVD - ARLINGTON, TX 76011

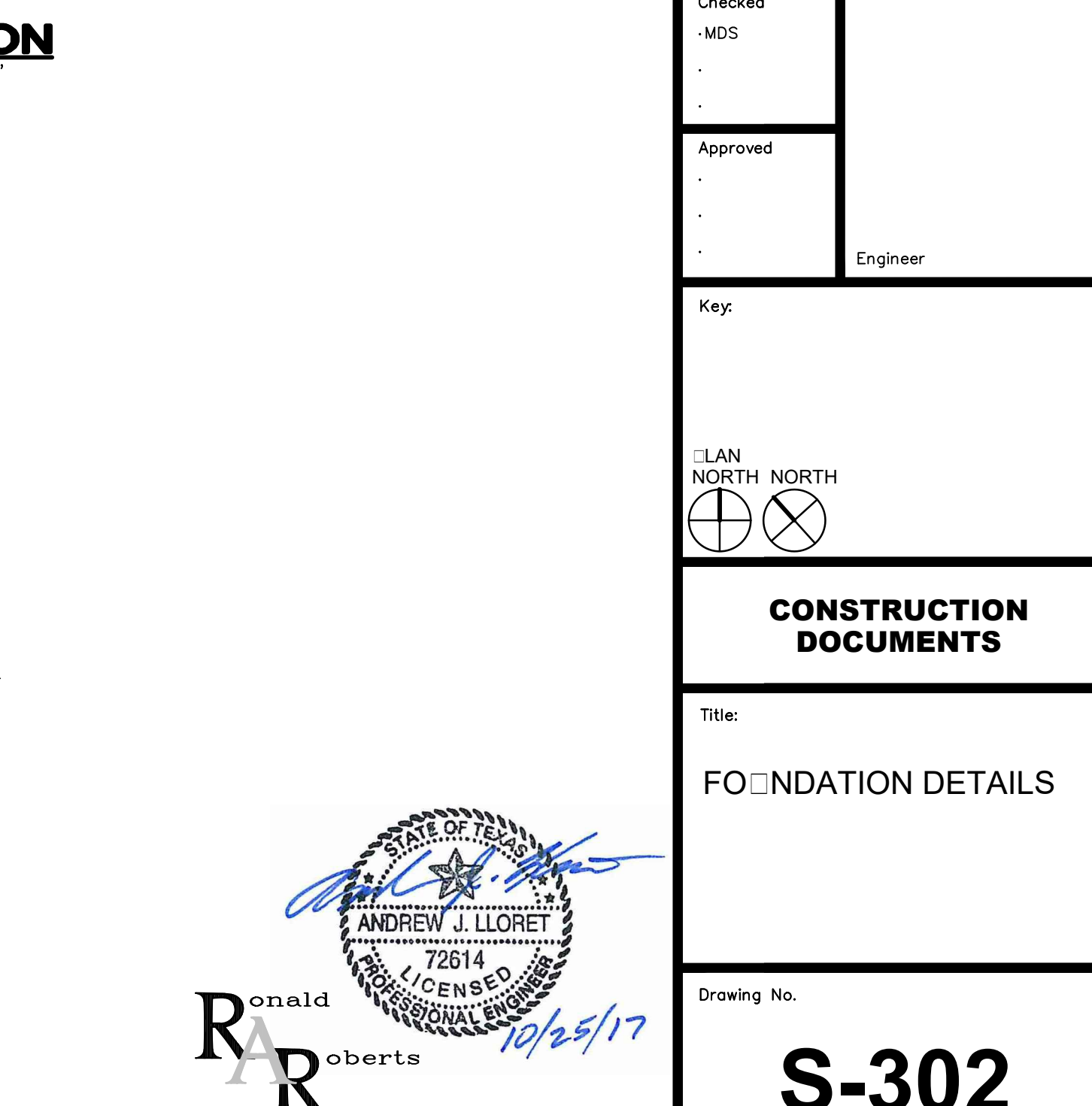
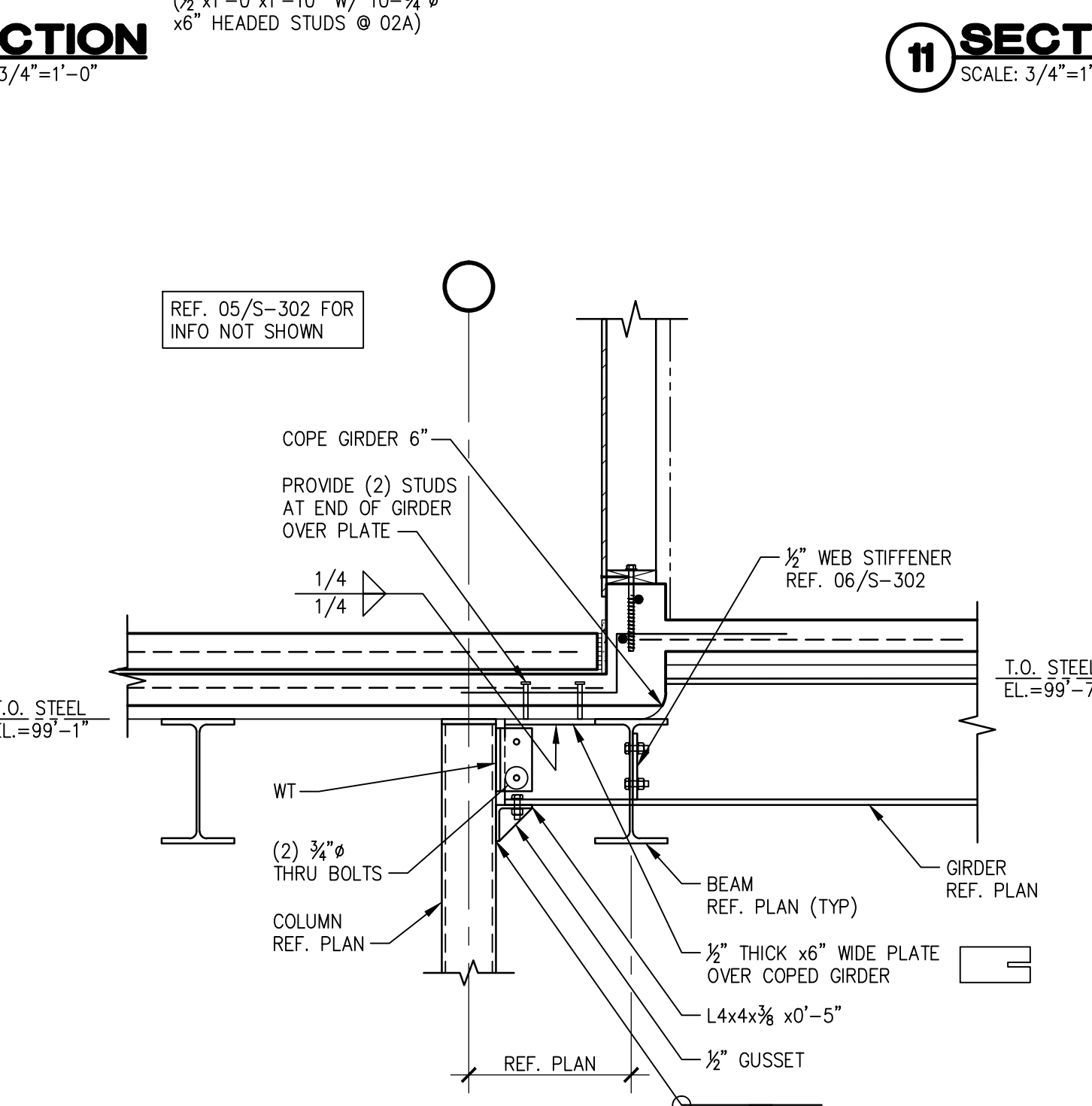
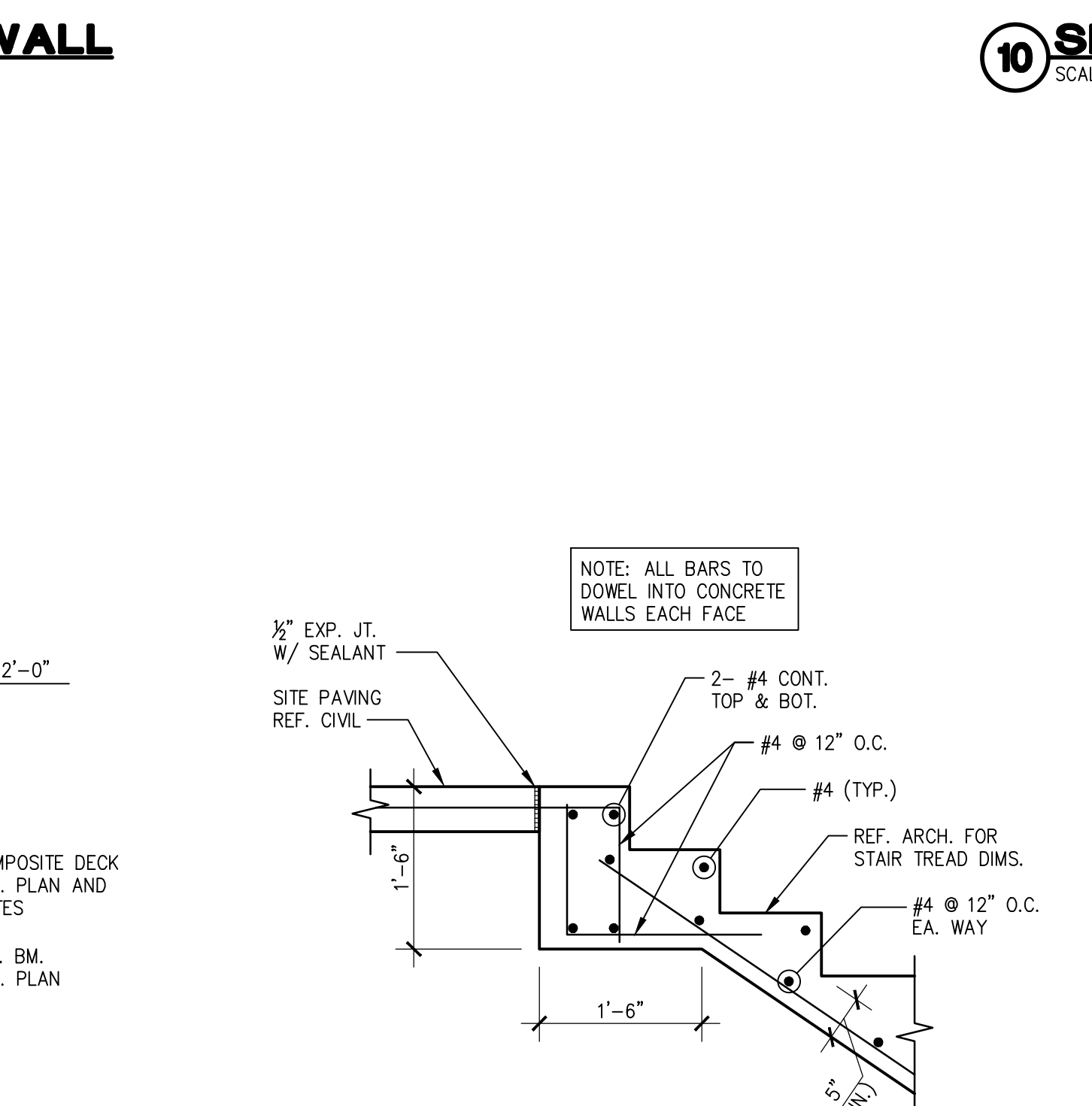
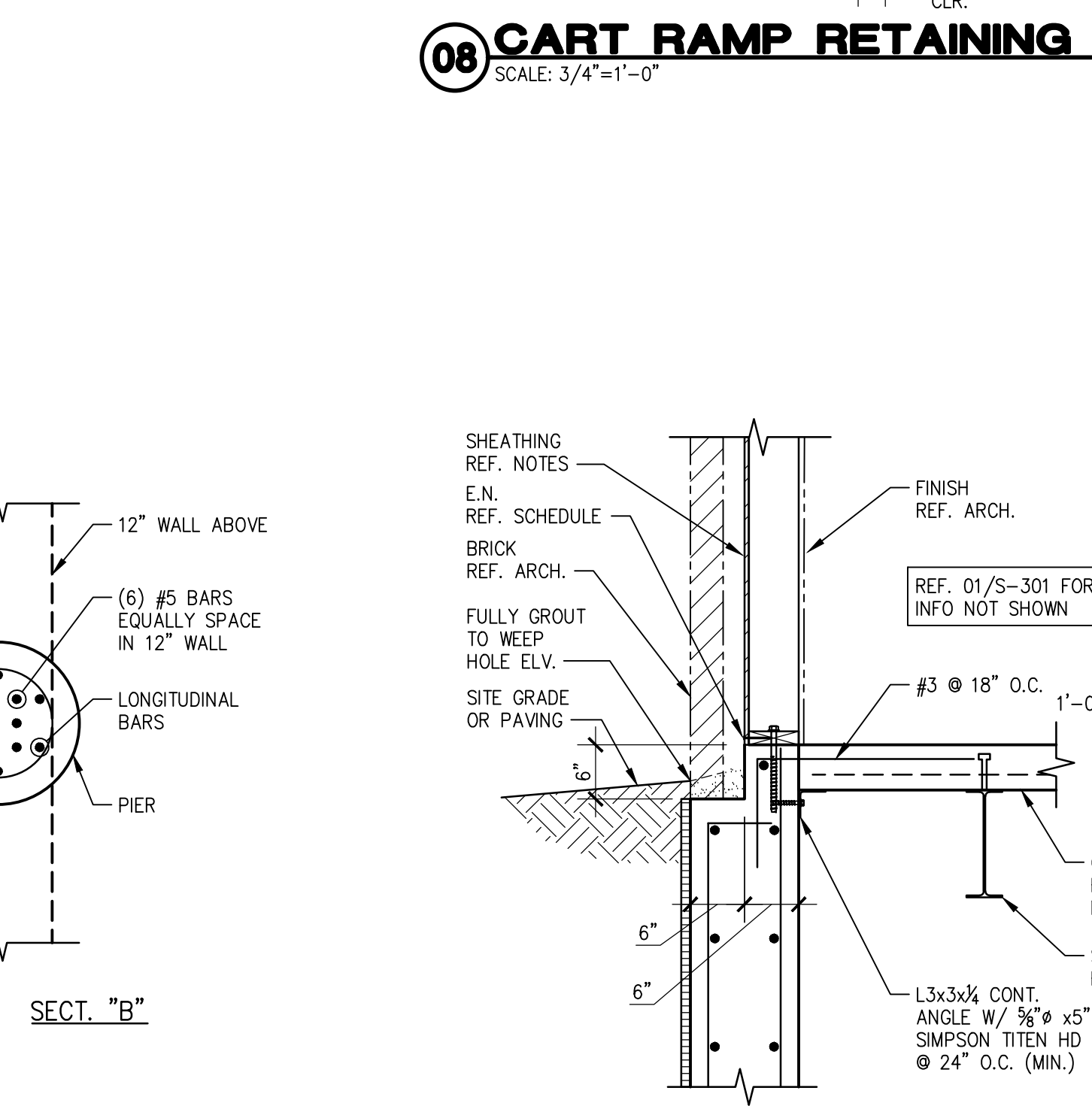
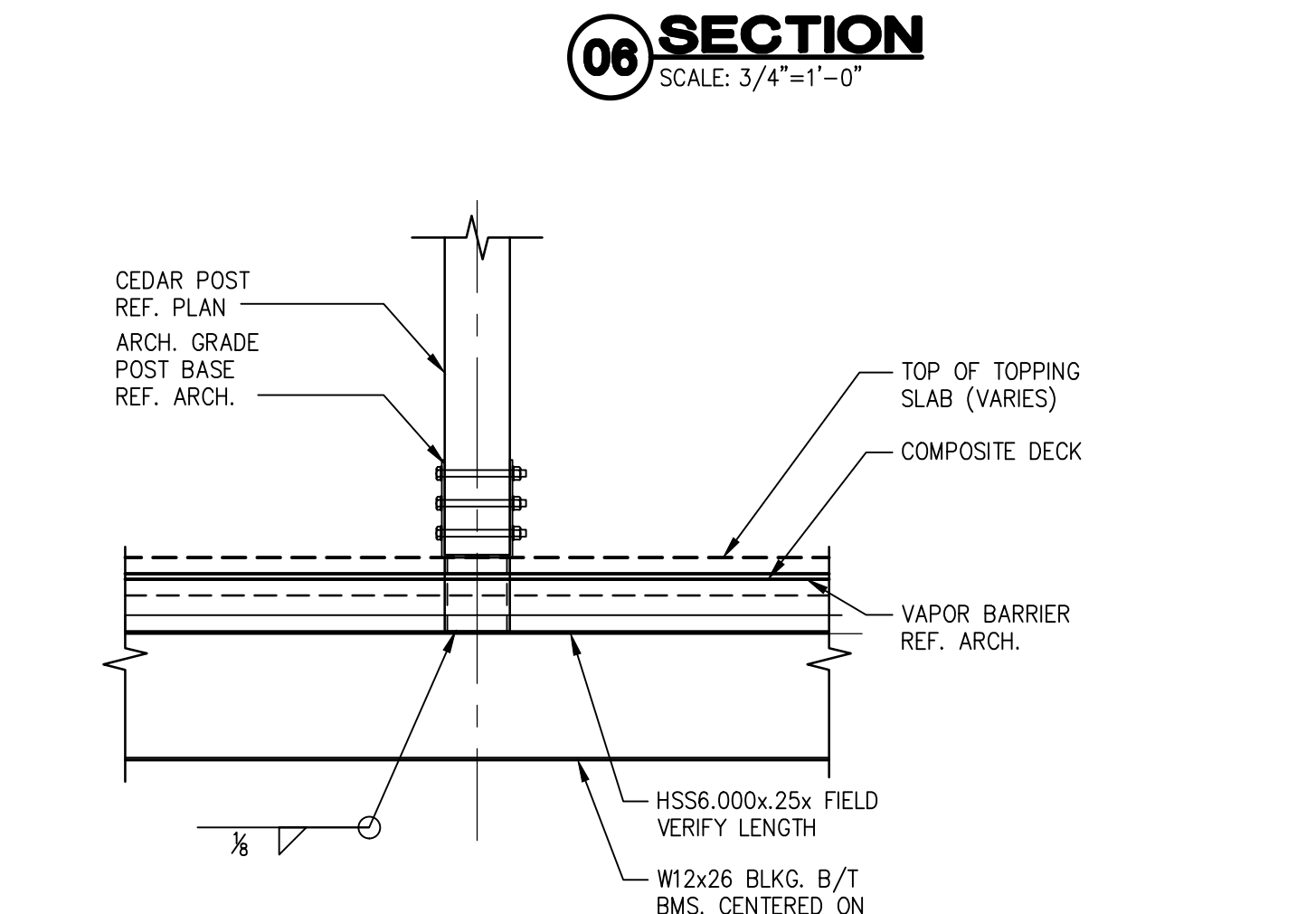
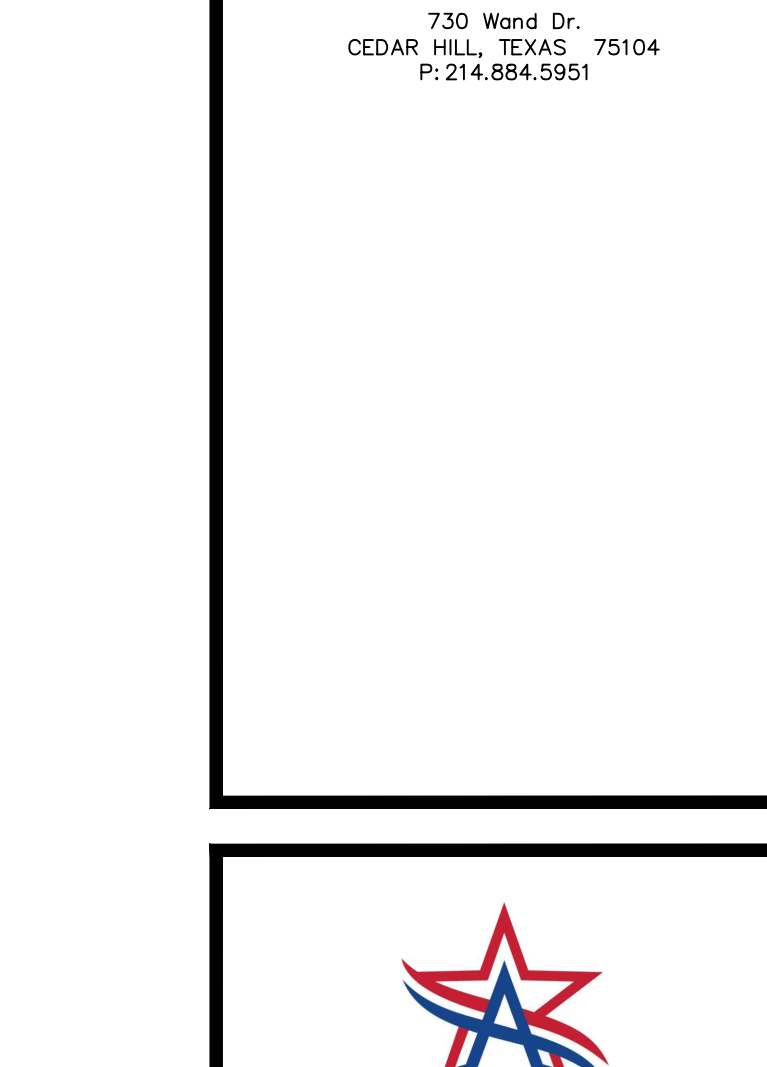
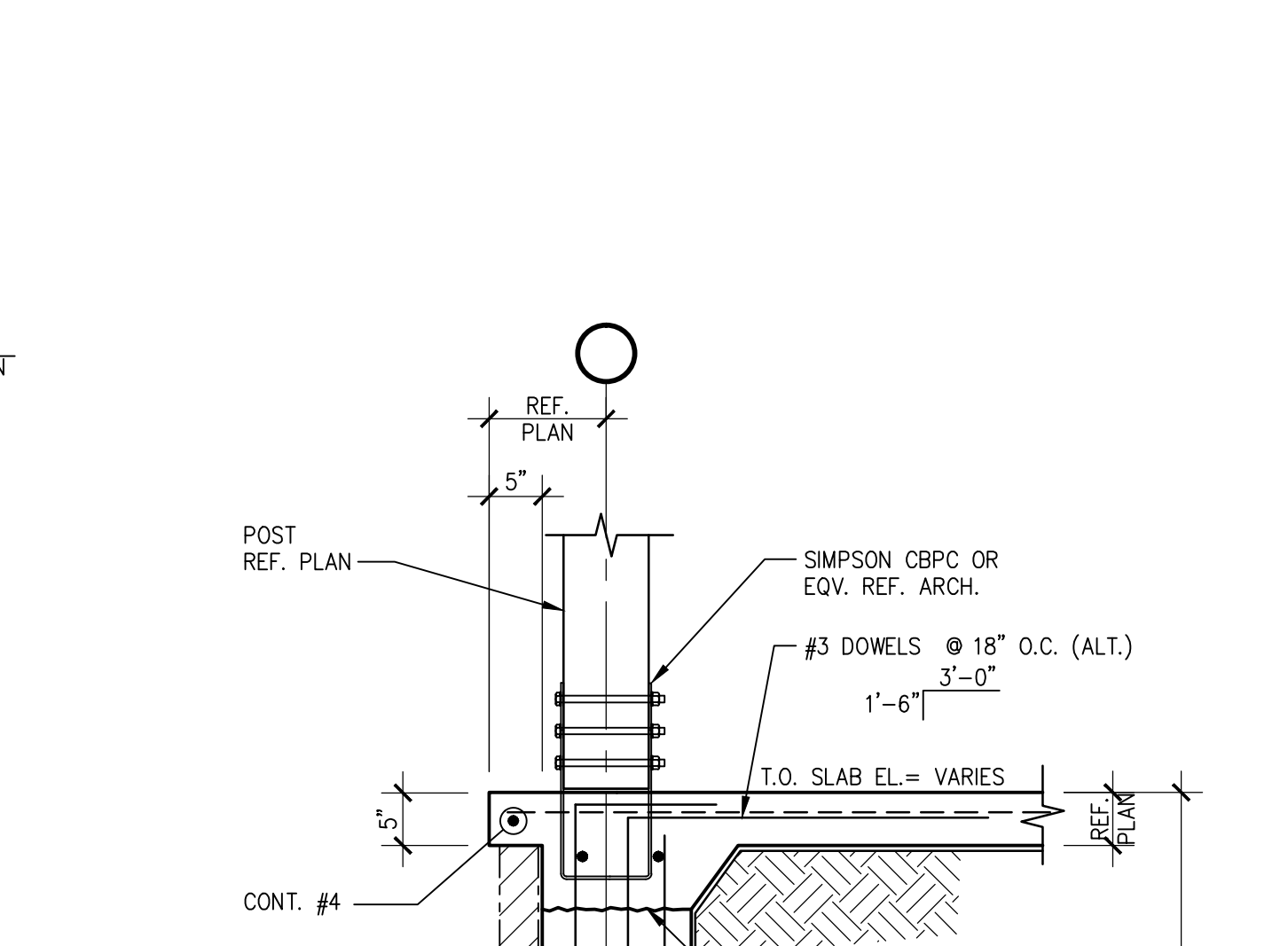
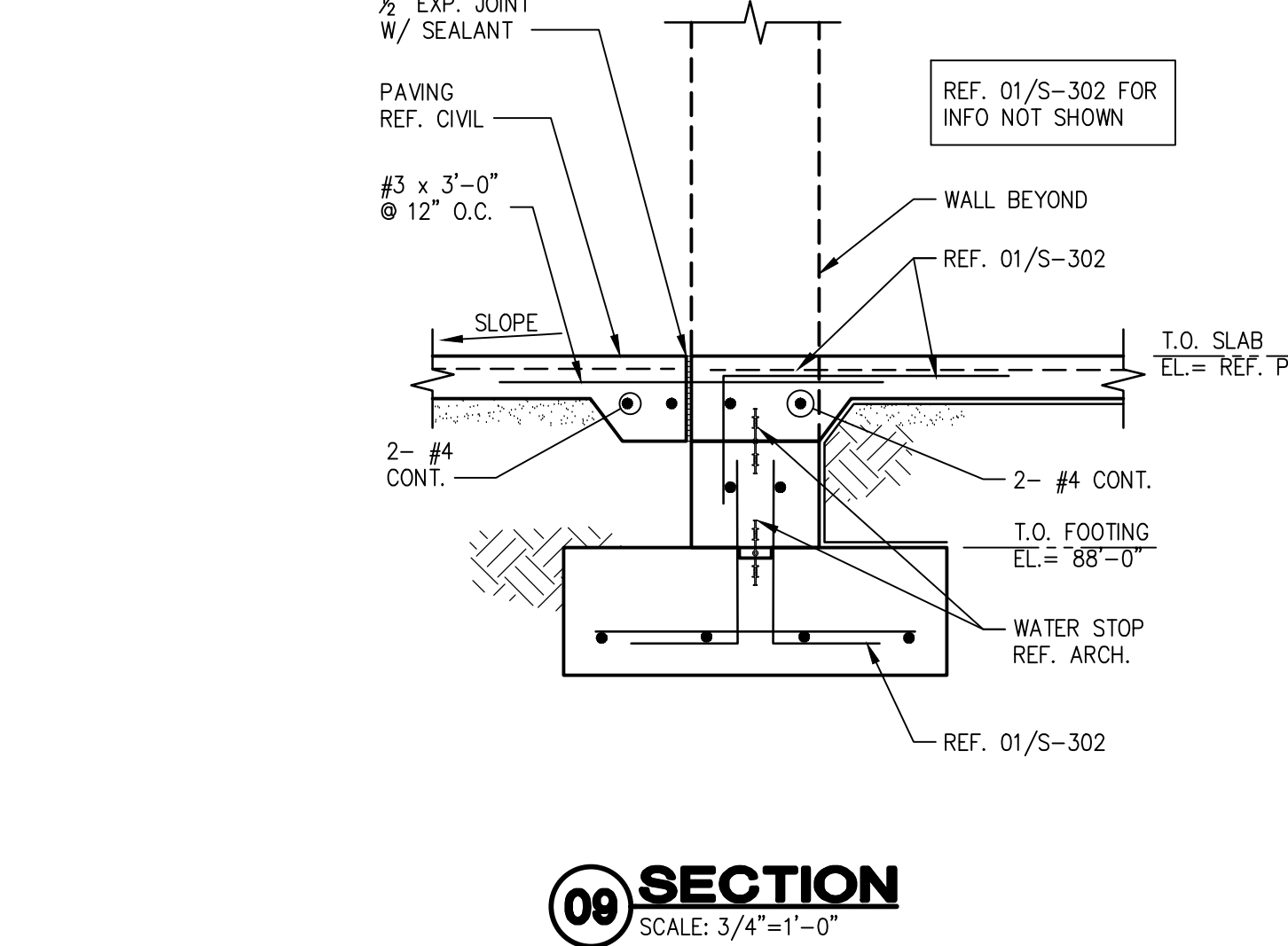
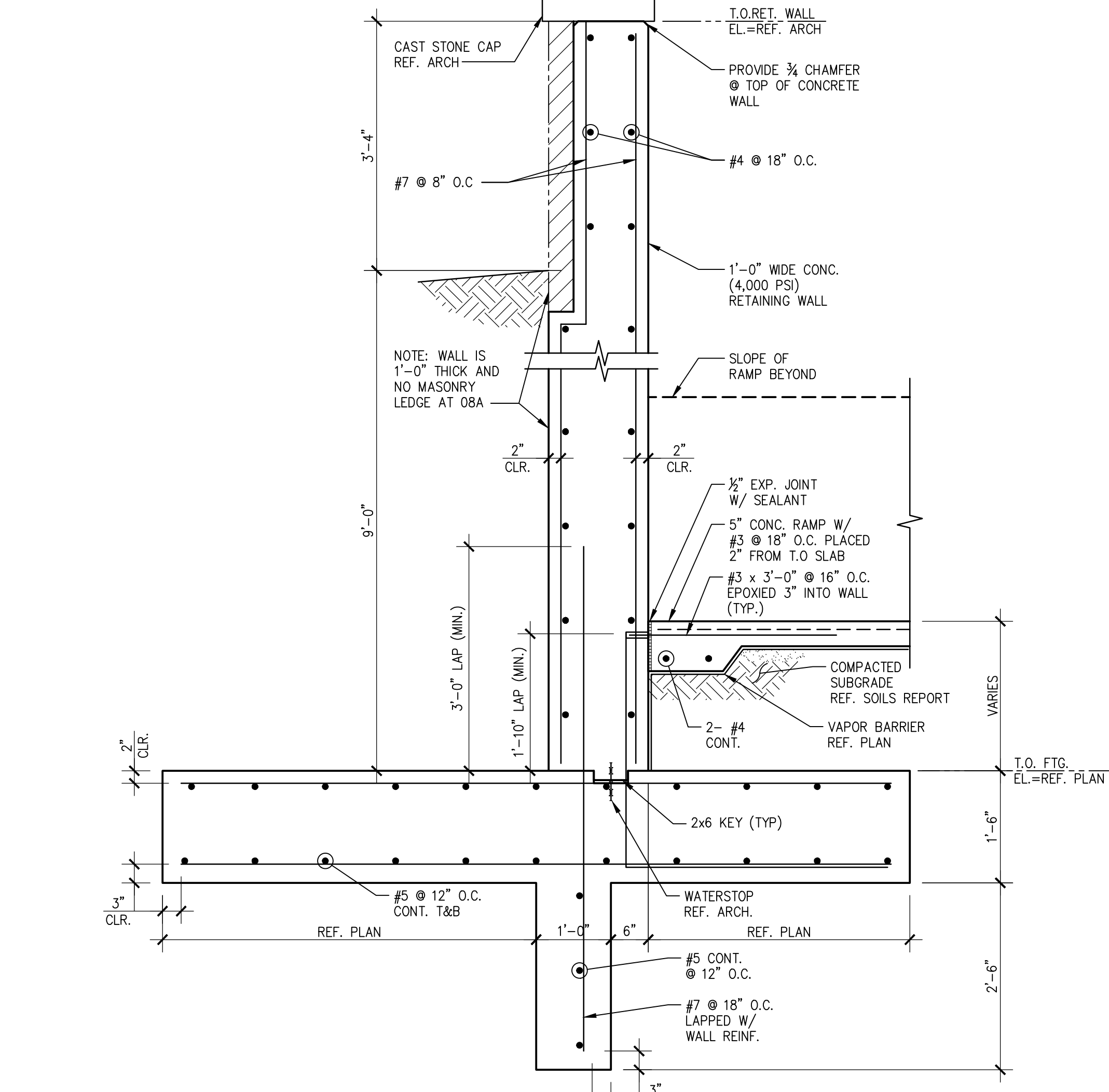
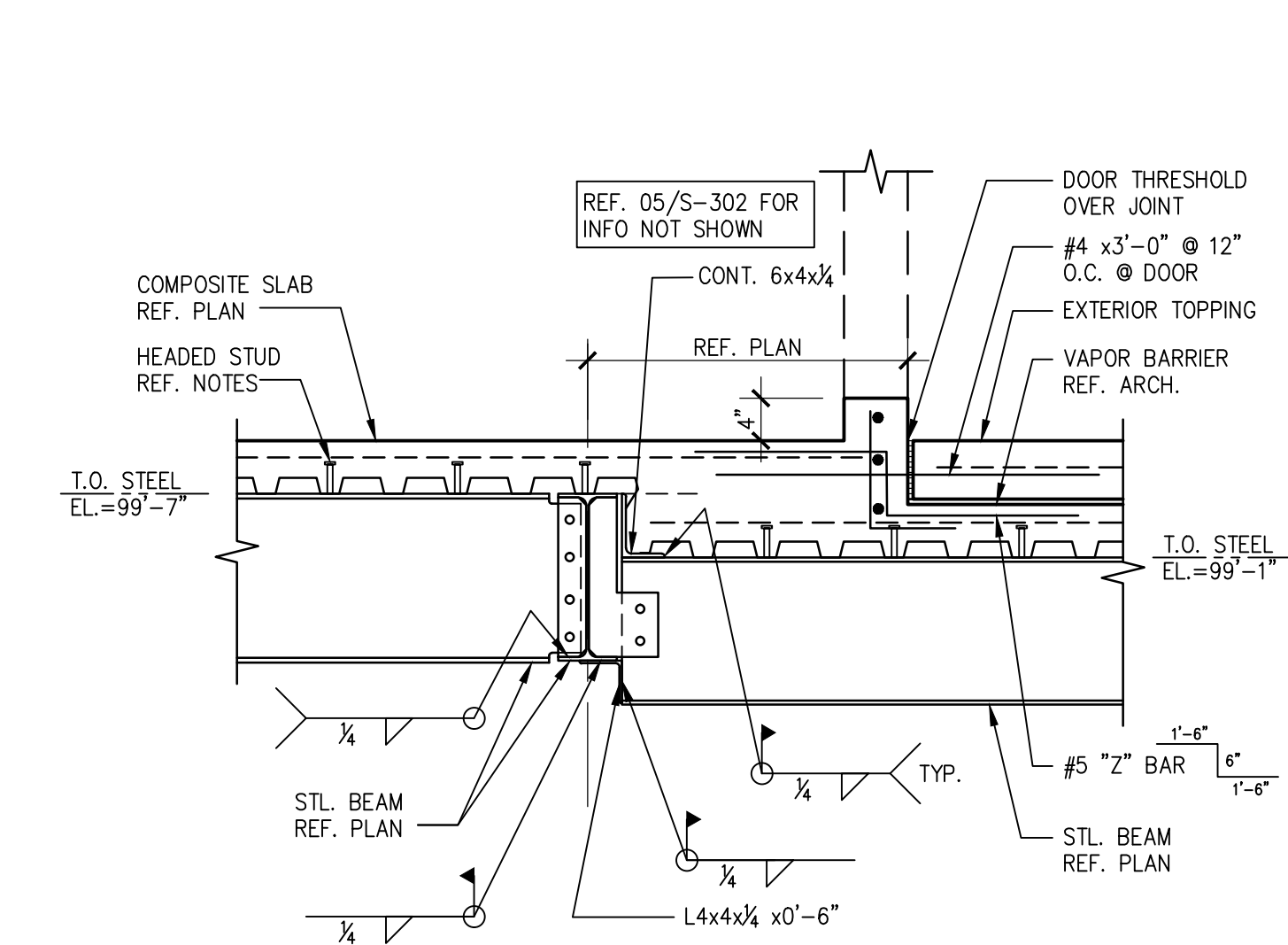
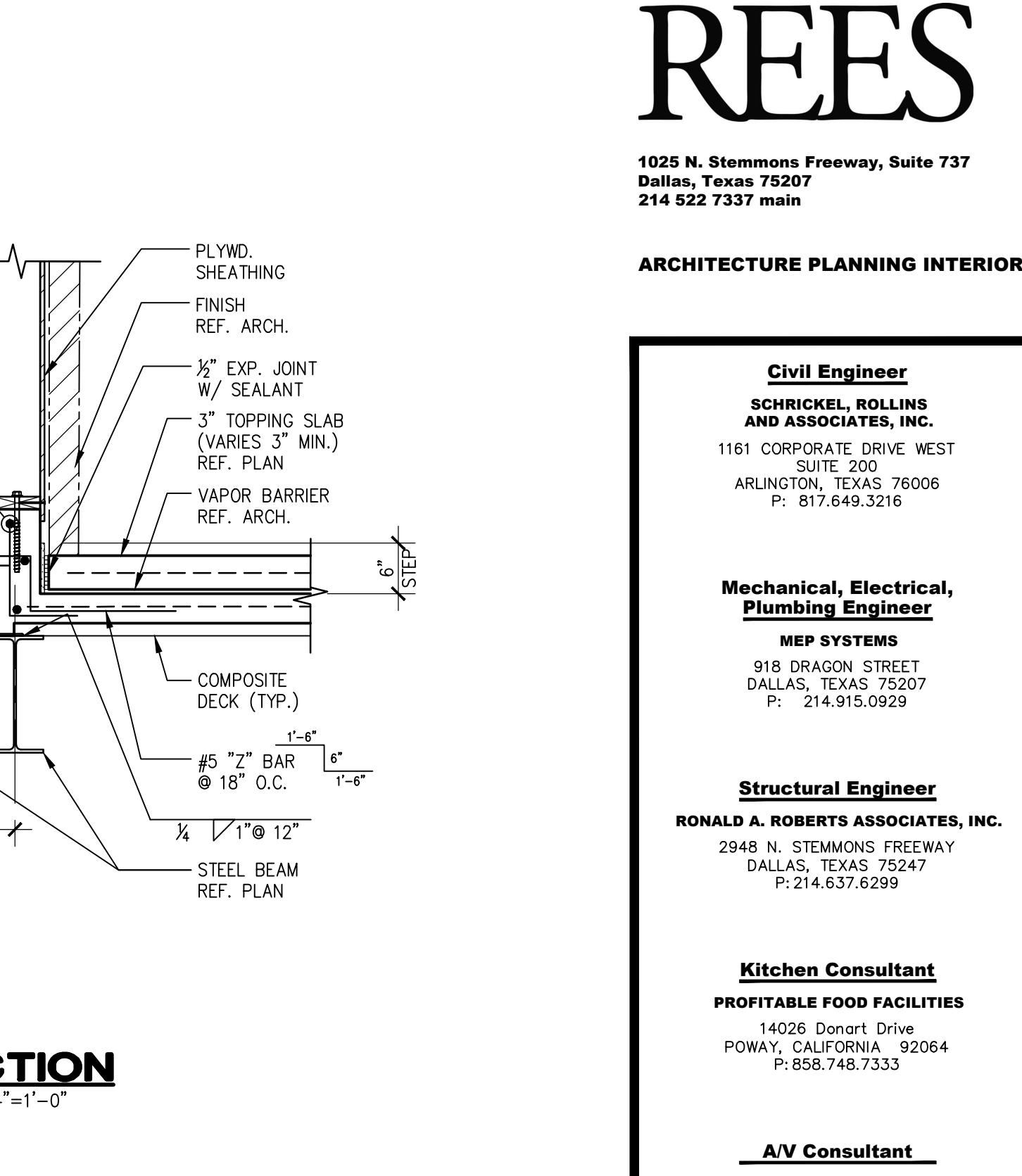
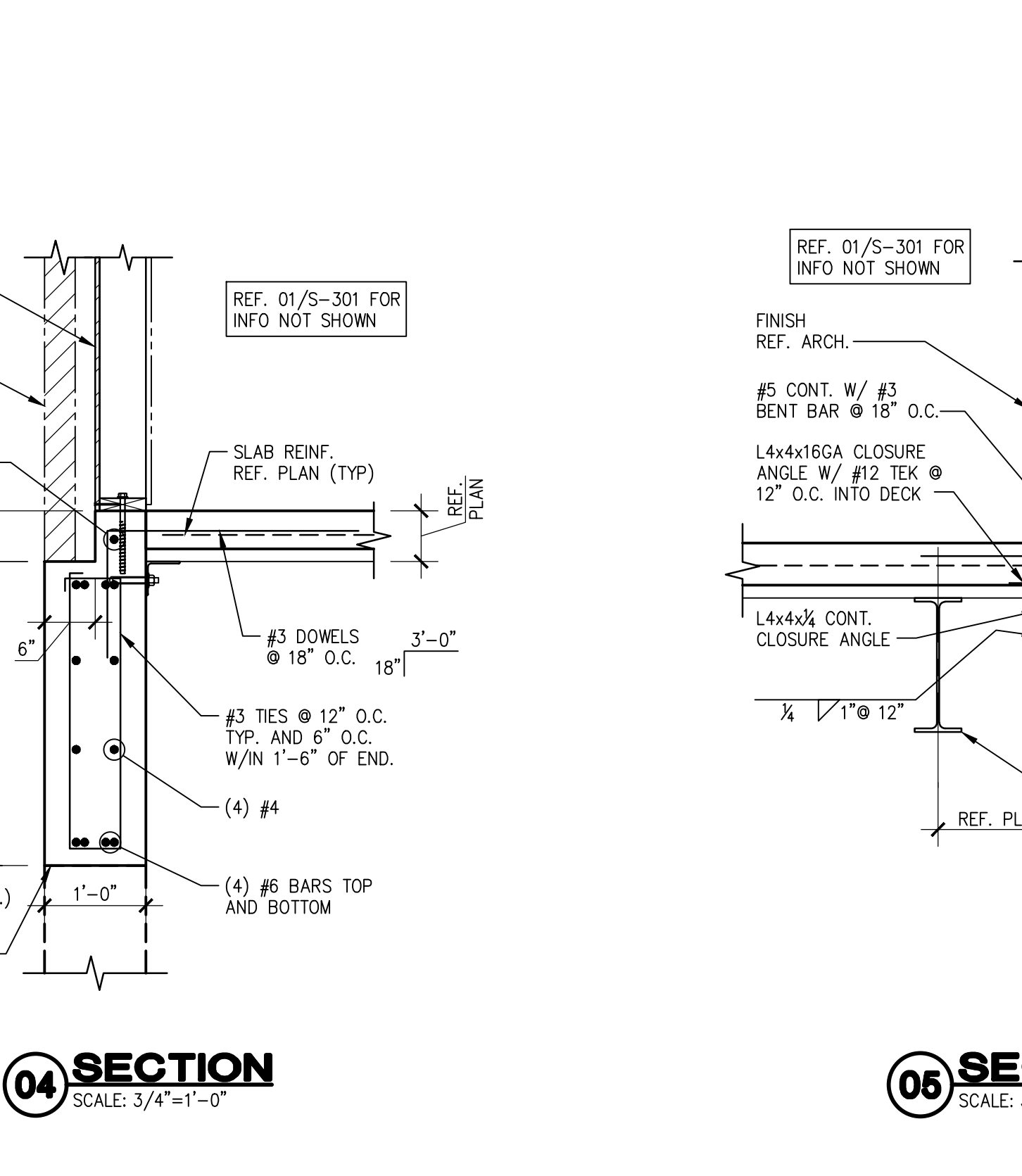
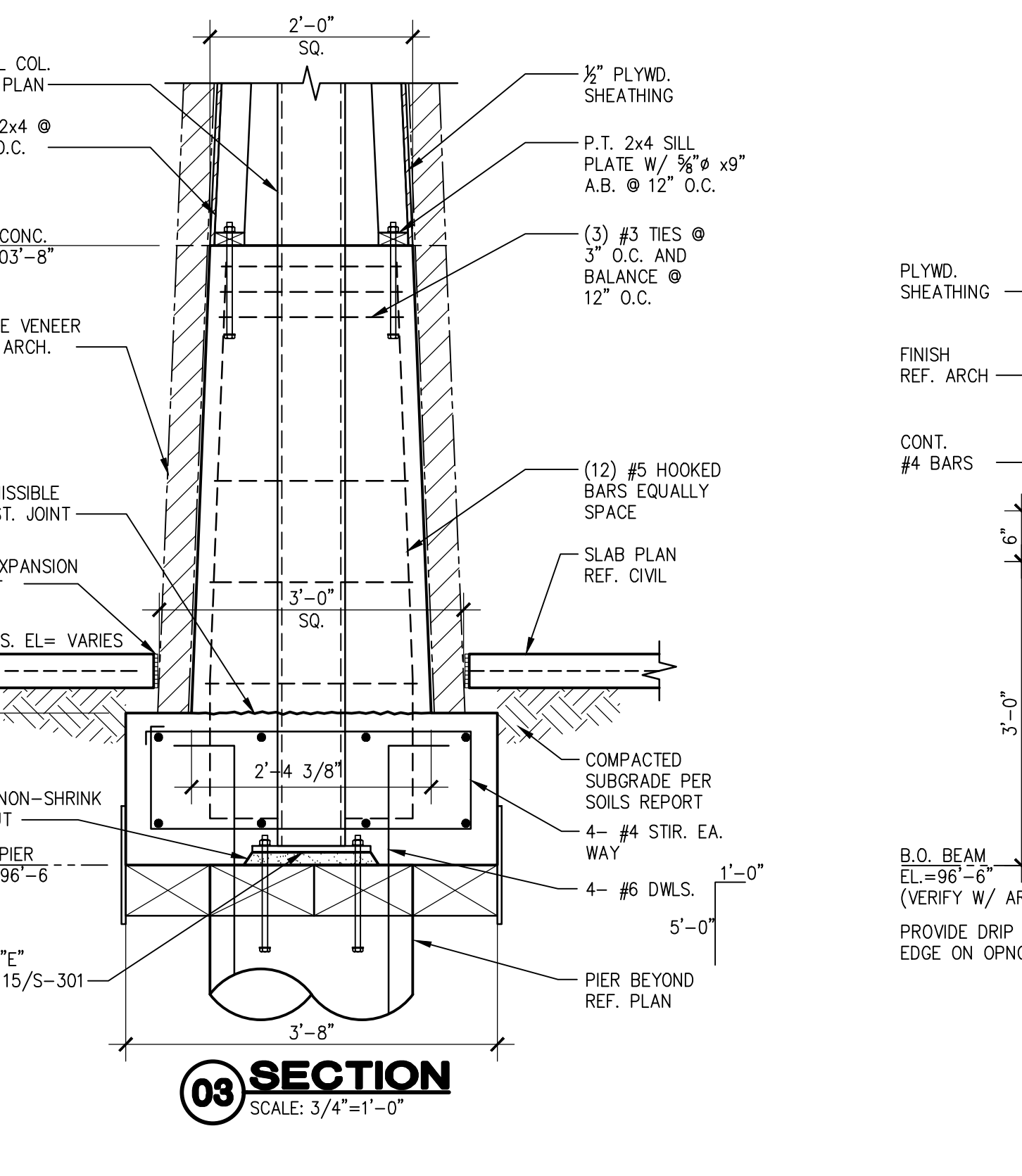
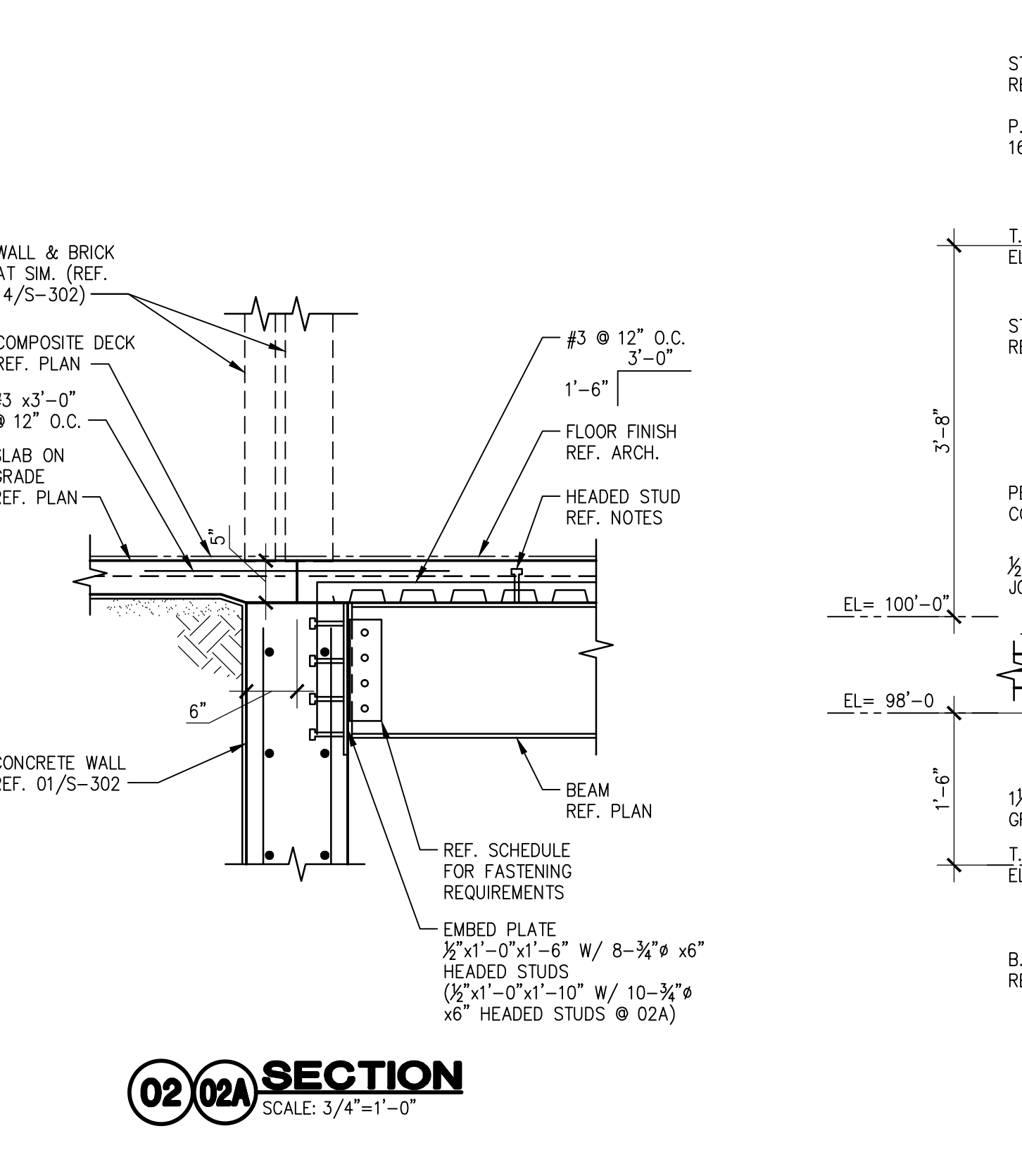
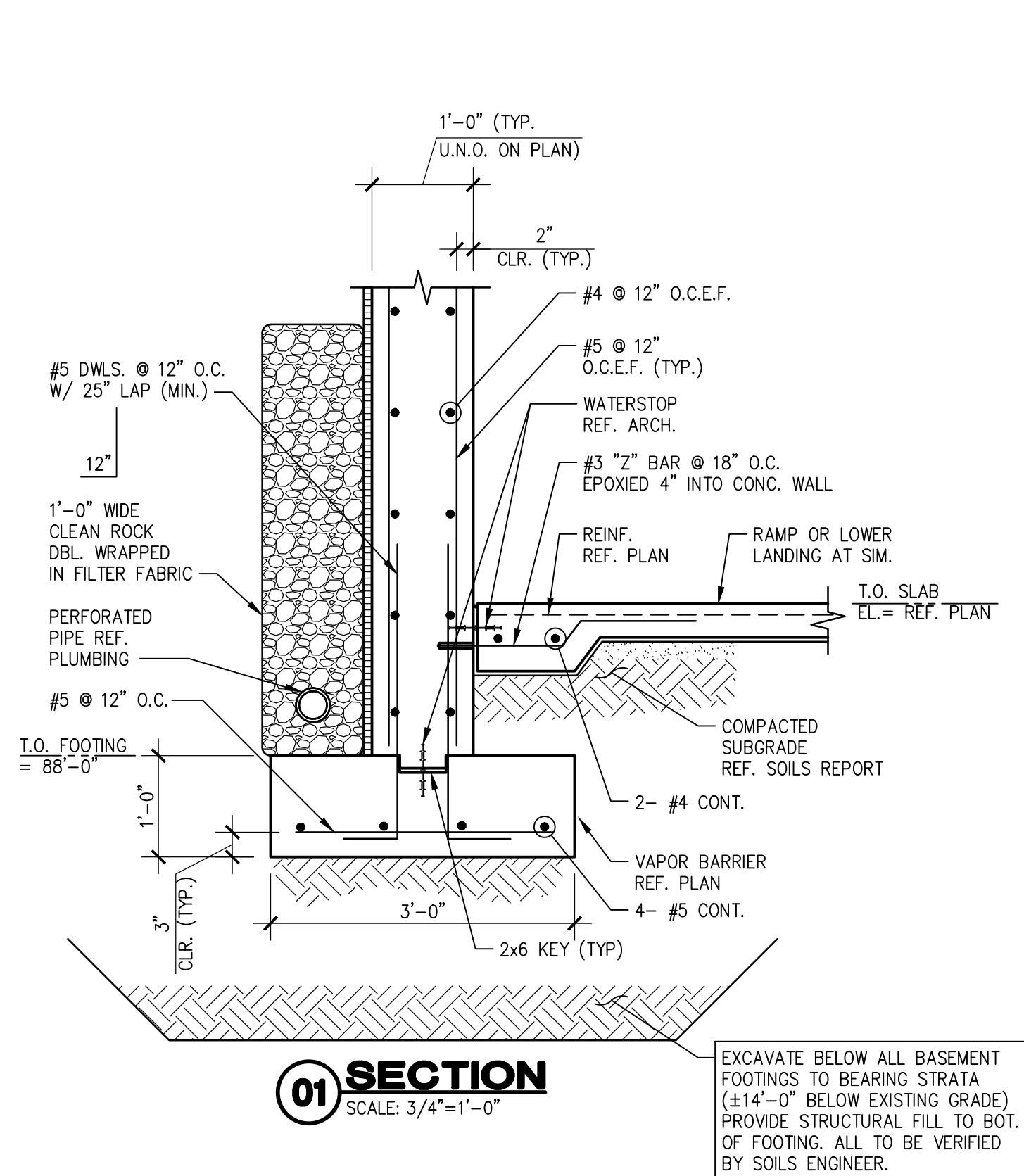
No.	Date
Revisions	
Project No.	21538.00
Drawn	
Checked	
MDS	
Approved	
Key:	
PLAN	NORTH

CONSTRUCTION DOCUMENTS

FOUNDATION DETAILS

Drawing No. **S-302**

Issue Date: OCTOBER 25, 2017



Ronald A. Roberts
Associates, Inc.
Consulting Engineers
TX FIRM REG. #511
2948 N. Stemmons Freeway
Dallas, Texas 75247-0103
Phone: (214) 637-6299
www.rara.net

