

Civil Engineer
SCHRICKEL, ROLLINS
AND ASSOCIATES, INC.
1161 CORPORATE DRIVE WEST
SUITE 200
ARLINGTON, TEXAS 76006
P: 817.649.3216

**Mechanical, Electrical,
Plumbing Engineer**
MEP SYSTEMS
918 DRAGON STREET
DALLAS, TEXAS 75247
P: 214.915.0929

Structural Engineer
RONALD A. ROBERTS ASSOCIATES, INC.
2948 N. STEMMONS FREEWAY
DALLAS, TEXAS 75247
P: 214.637.6299

Kitchen Consultant
PROFITABLE FOOD FACILITIES
14026 Donert Drive
POWAY, CALIFORNIA 92064
P: 858.748.7333

AV Consultant
ACHEIVE AV, INC.
730 Ward Dr.
CEDAR HILL, TEXAS 75104
P: 214.884.9591

ARLINGTON
THE AMERICAN BEACH CITY
CHESTER W. DITTO GOLF COURSE
CLUBHOUSE
CITY OF ARLINGTON
801 BROWN BLVD - ARLINGTON, TX 76011

No. | Date

Revisions

Project No.
21538.00

Drawn

Checked

MDS

Approved

Key:

PLAN NORTH

Architect

Engineer

Key:

Key:

Key:

Key:

Key:

Key:

Key:

Key:

Key:

Key:

Key:

Key:

Key:

Key:

Key:

Key:

Key:

Key:

Key:

Key:

Key:

Key:

Key:

Key:

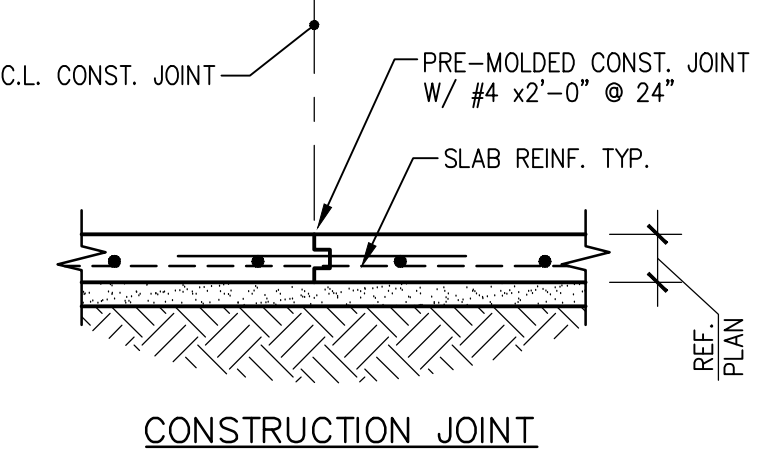
Key:

Key:

BELL PIER SCHEDULE				
MARK	SHAFT Ø	BELL Ø	VERT. REINF.	TIES
P1	18"	36"	6- #6 BARS	#3 @ 12" O.C.
P2	24"	48"	6- #7 BARS	#3 @ 12" O.C.

04 BELL PIER SCHEDULE

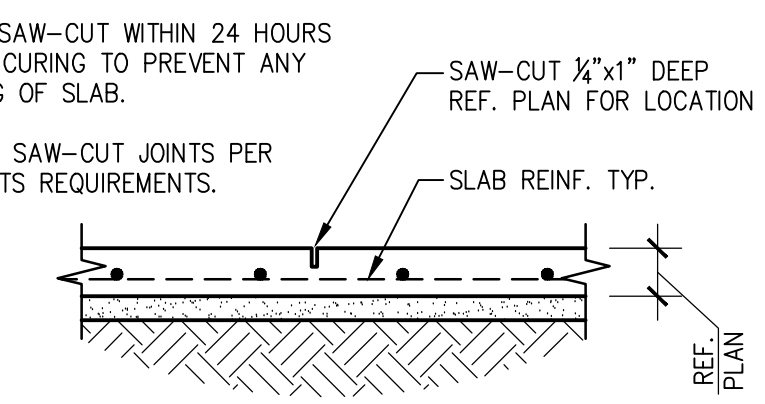
SCALE:



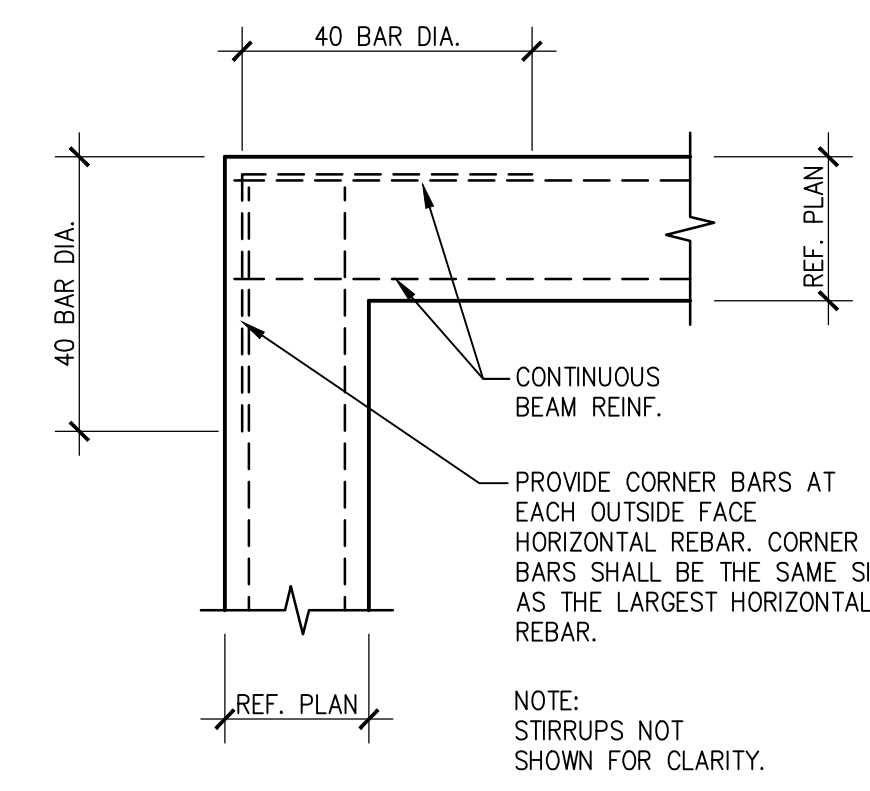
CONSTRUCTION JOINT

NOTE:

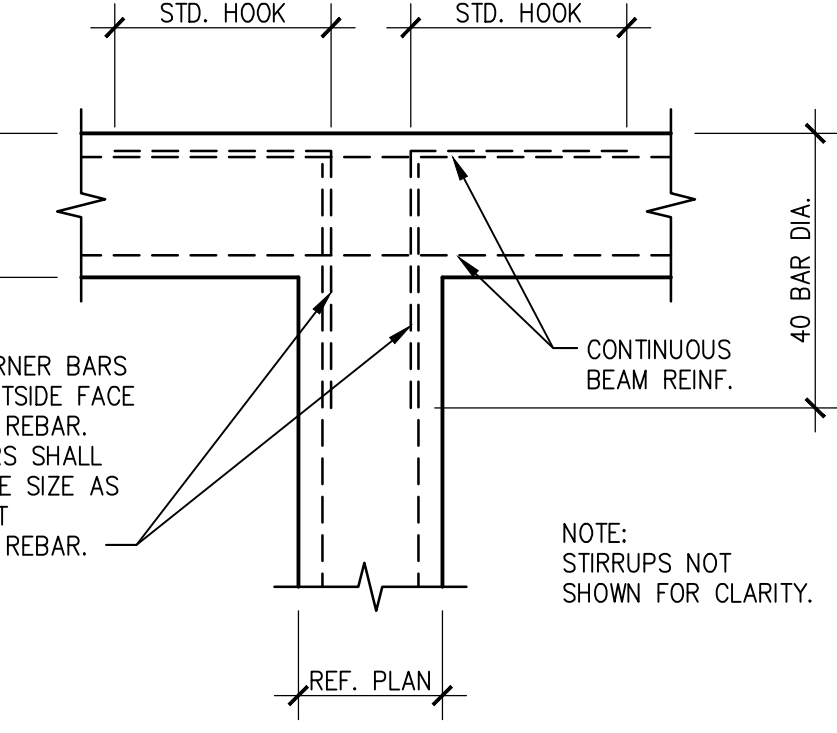
1. PROVIDE SAW-CUT WITHIN 24 HOURS OF SLAB CURING TO PREVENT ANY DAMAGING OF SLAB.
2. SEAL ALL SAW-CUT JOINTS PER ARCHITECTS REQUIREMENTS.



SAWCUT CONTROL JOINT

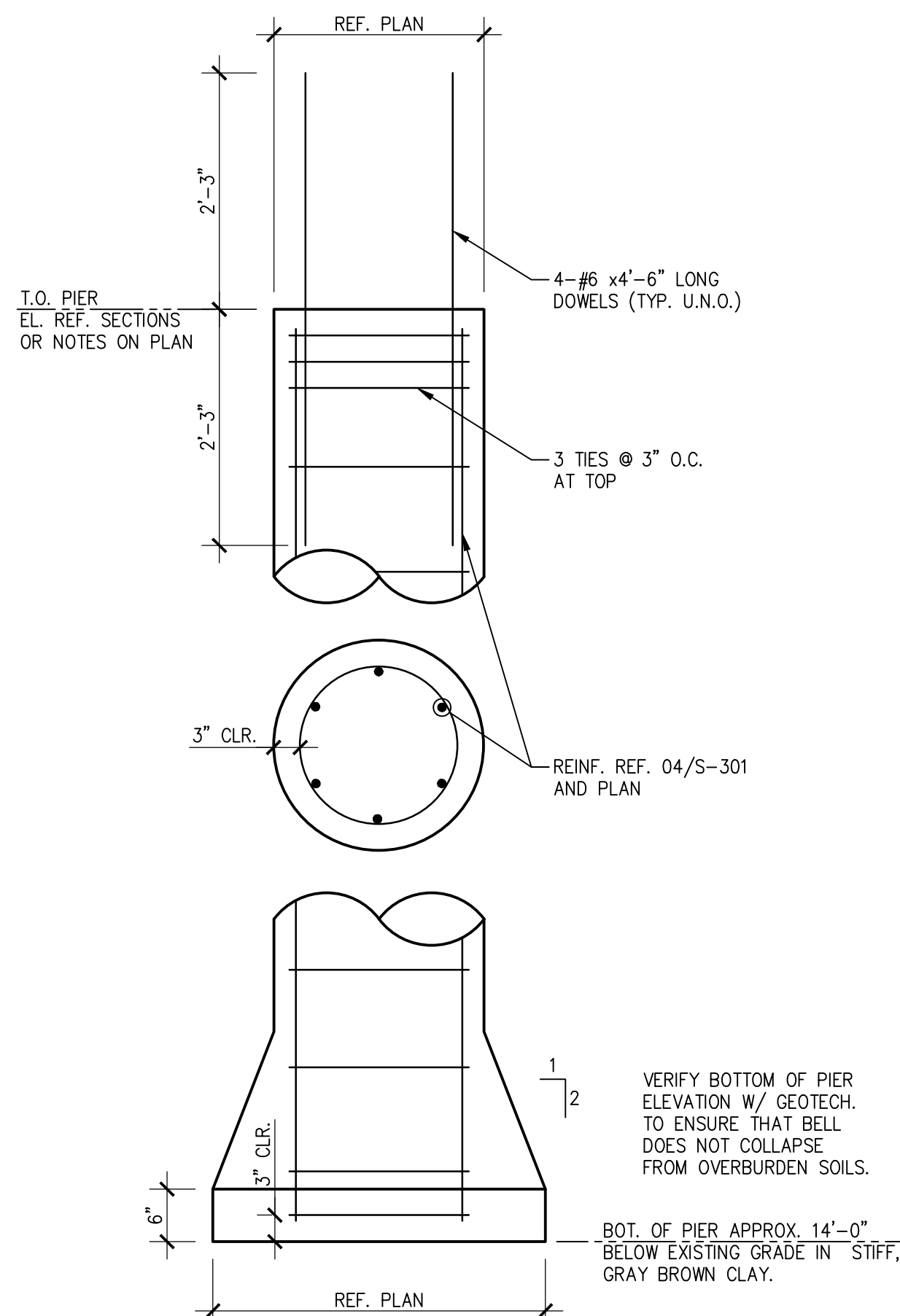


TYP. CORNER BAR DETAIL



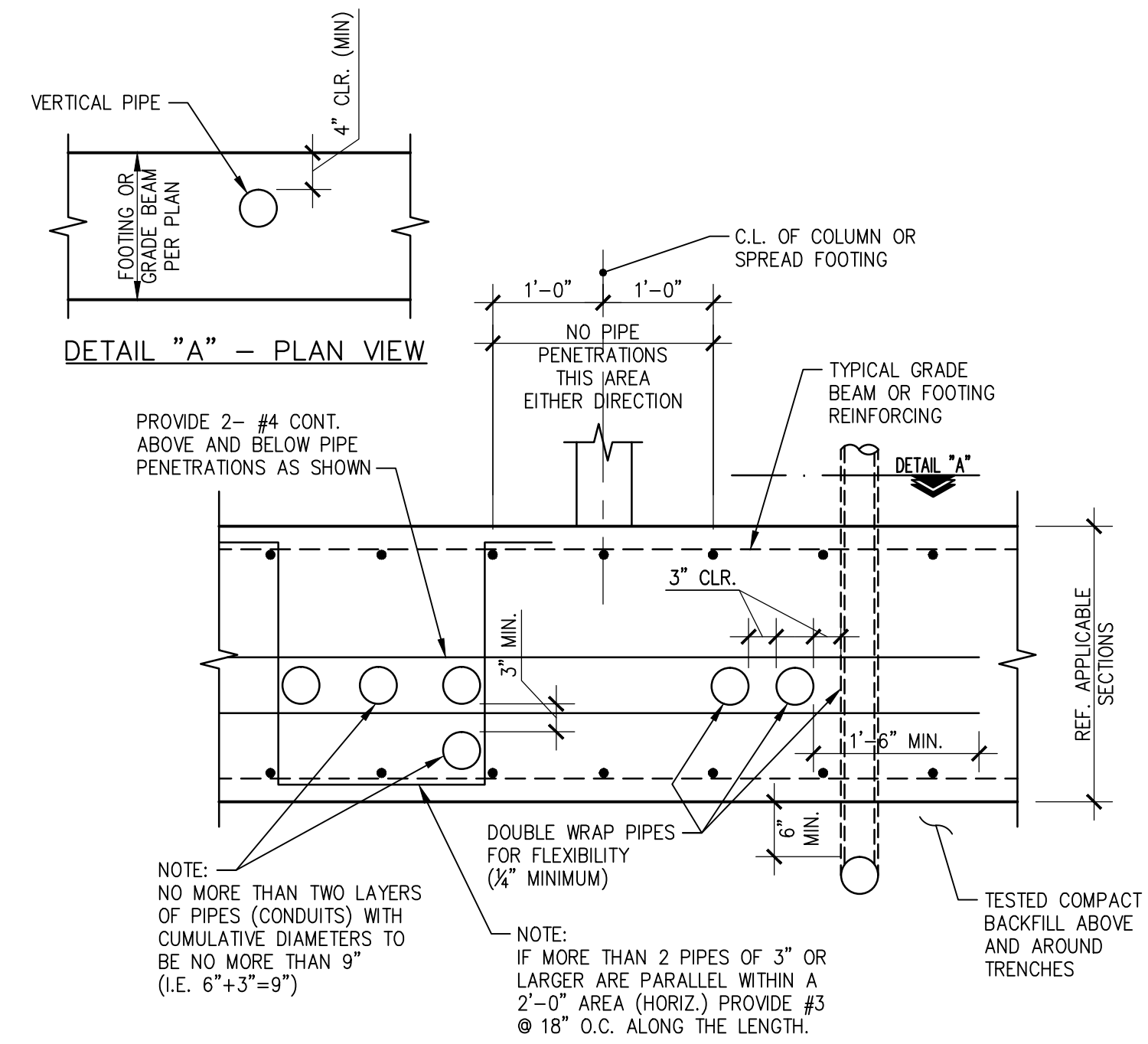
TYP. CORNER BAR DETAIL

SCALE: 3/4"=1'-0"



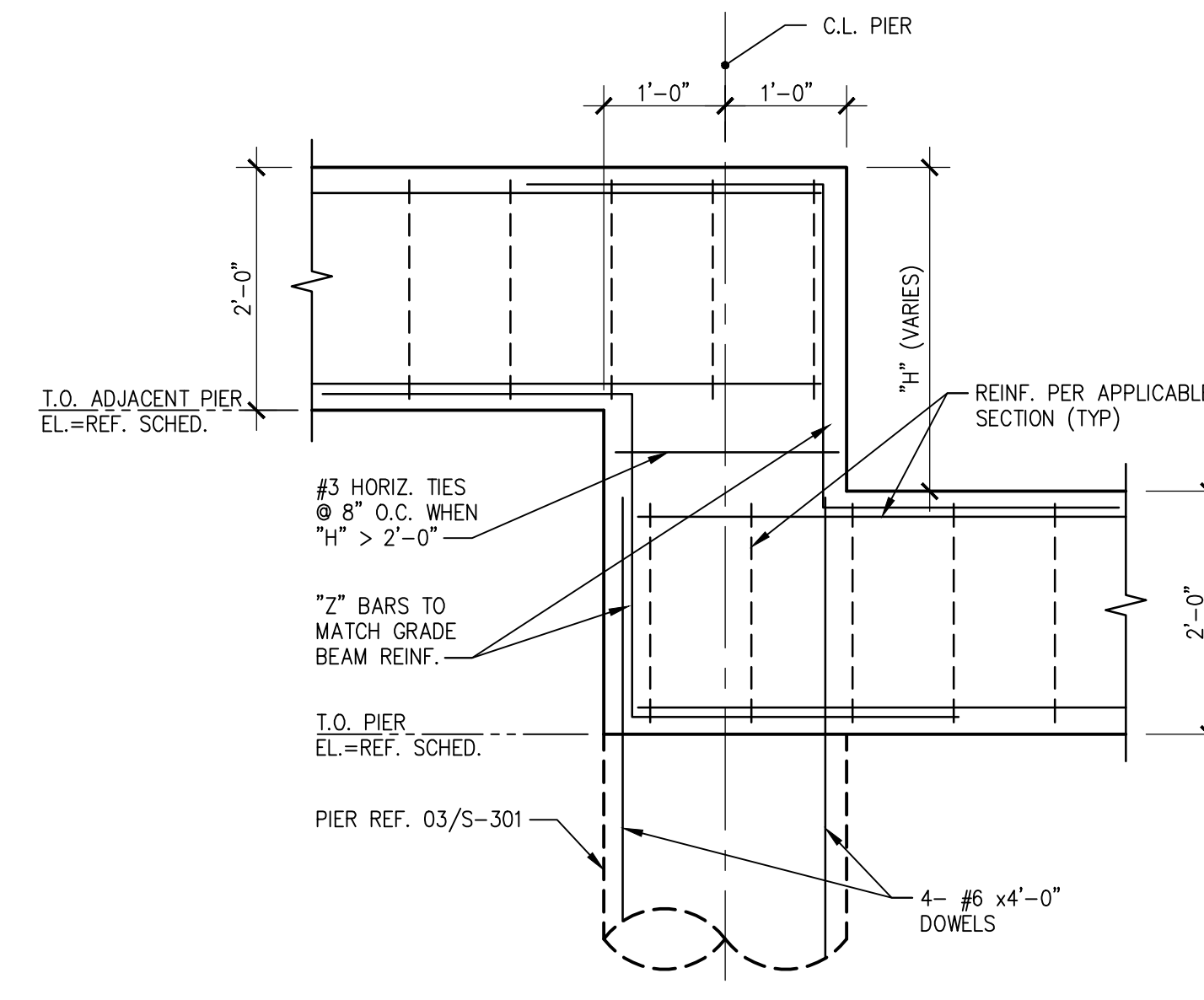
03 TYPICAL PIER DETAIL

SCALE: 3/4"=1'-0"



11 TYPICAL PENETRATION THRU FOOTINGS OR GRADE BEAMS

SCALE: 3/4"=1'-0"



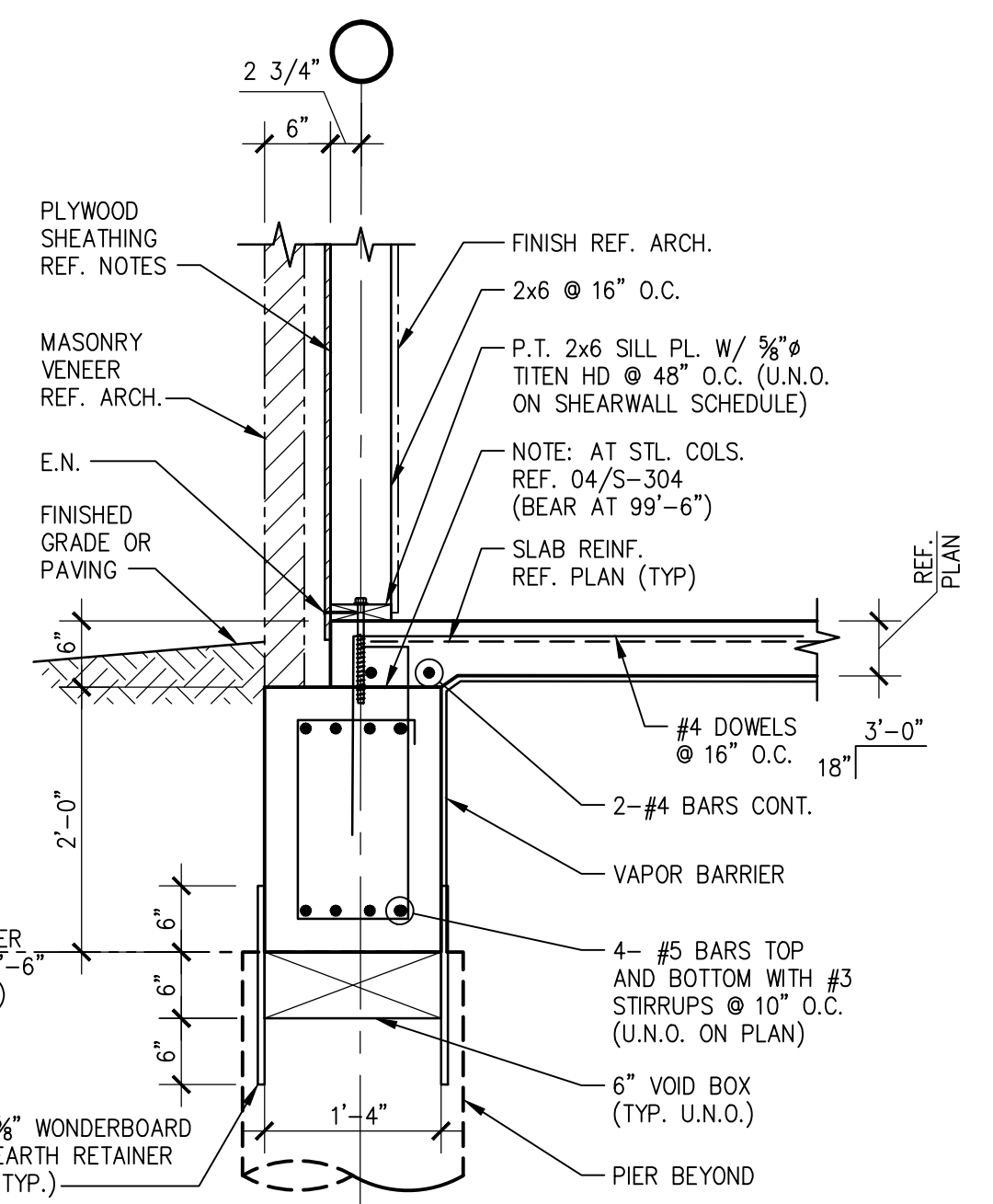
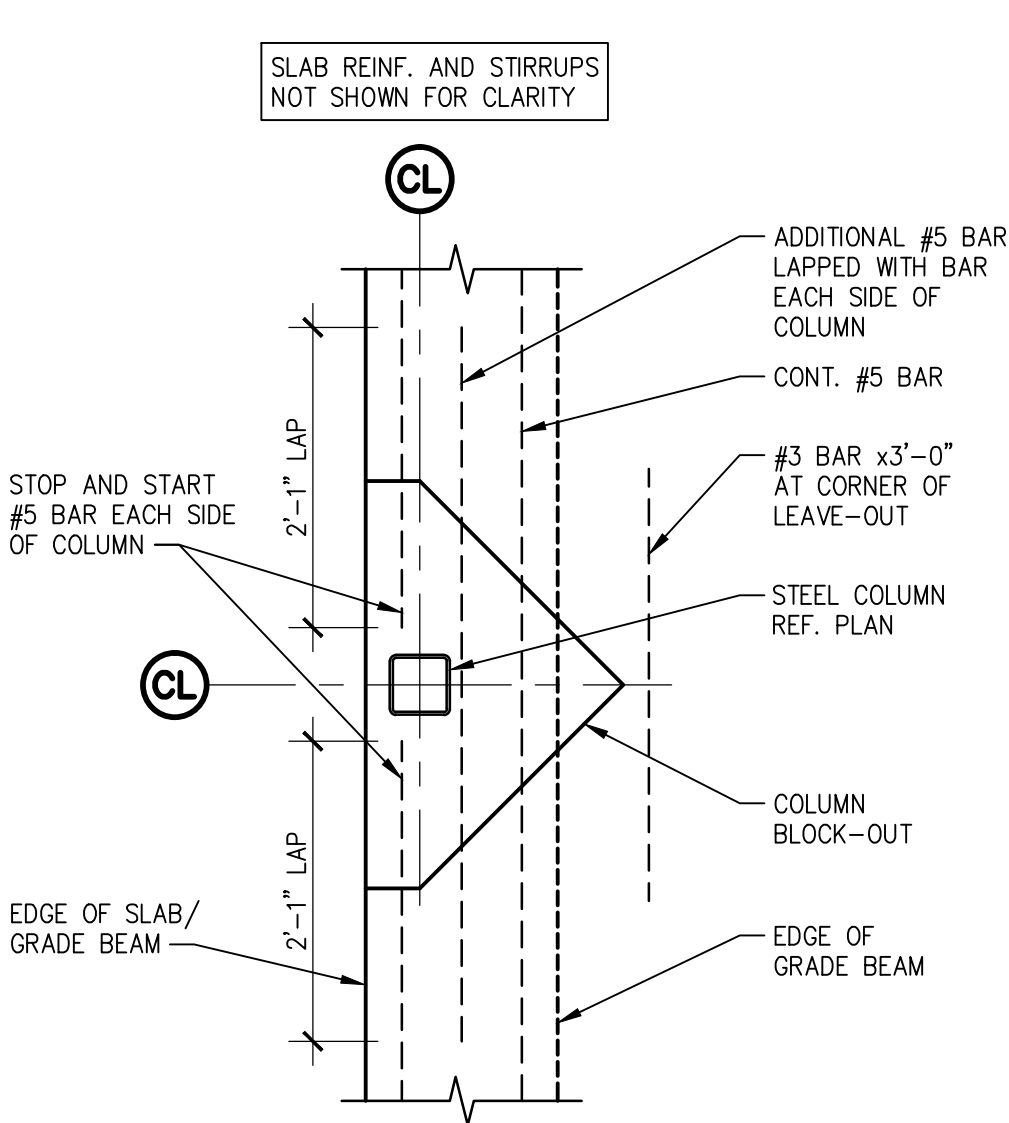
12 TYPICAL GRADE BEAM STEP

SCALE: 3/4"=1'-0"

(AS REQUIRED)

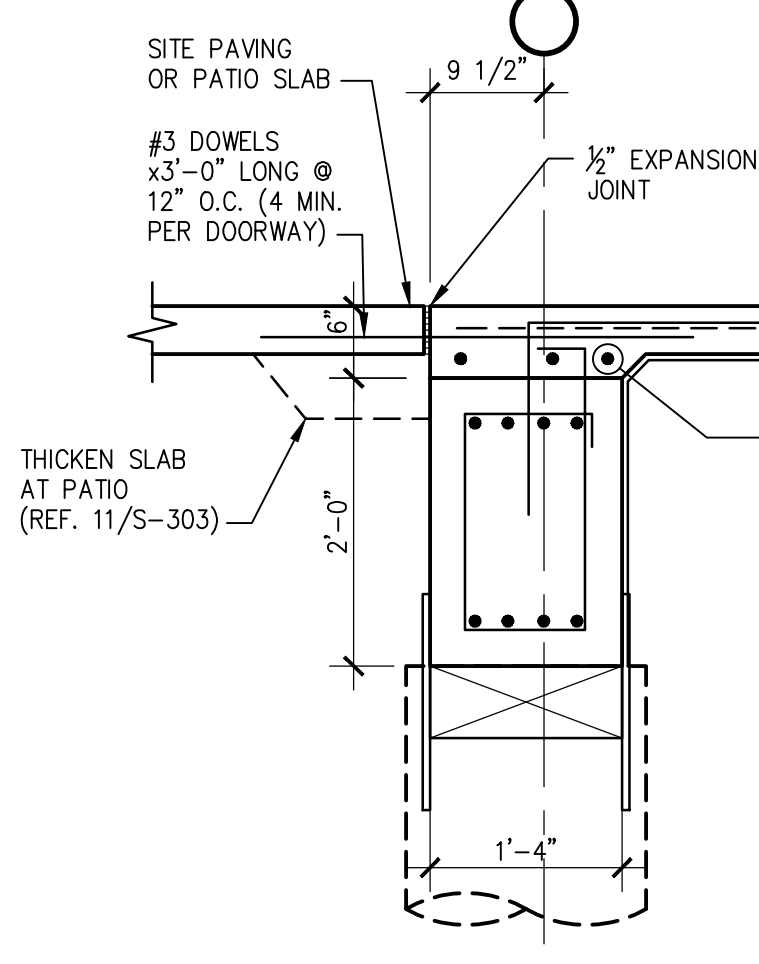
13 GRADE BEAM REINFORCEMENT CONTINUITY AT PERIMETER COLUMNS

SCALE: 3/4"=1'-0"



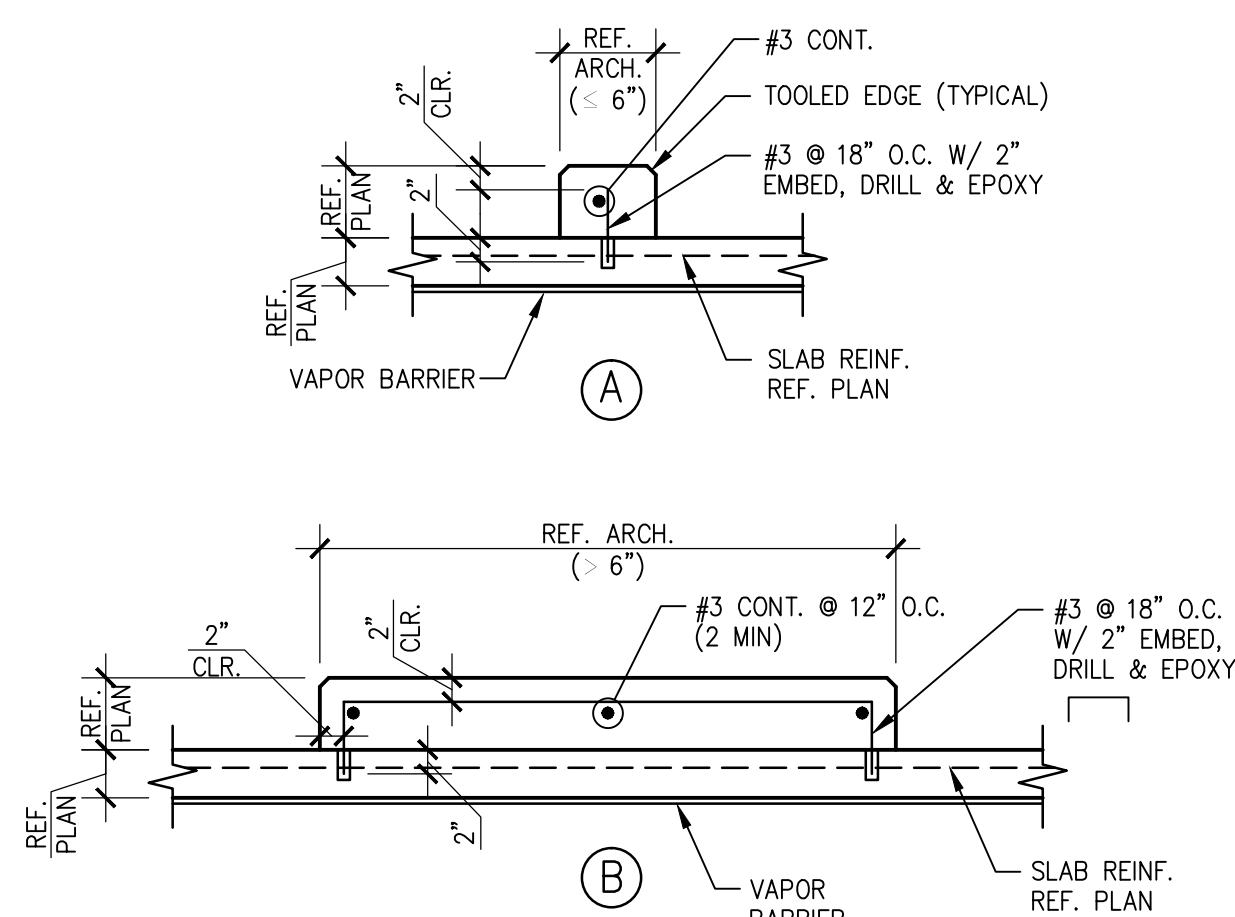
01 SECTION

SCALE: 3/4"=1'-0"



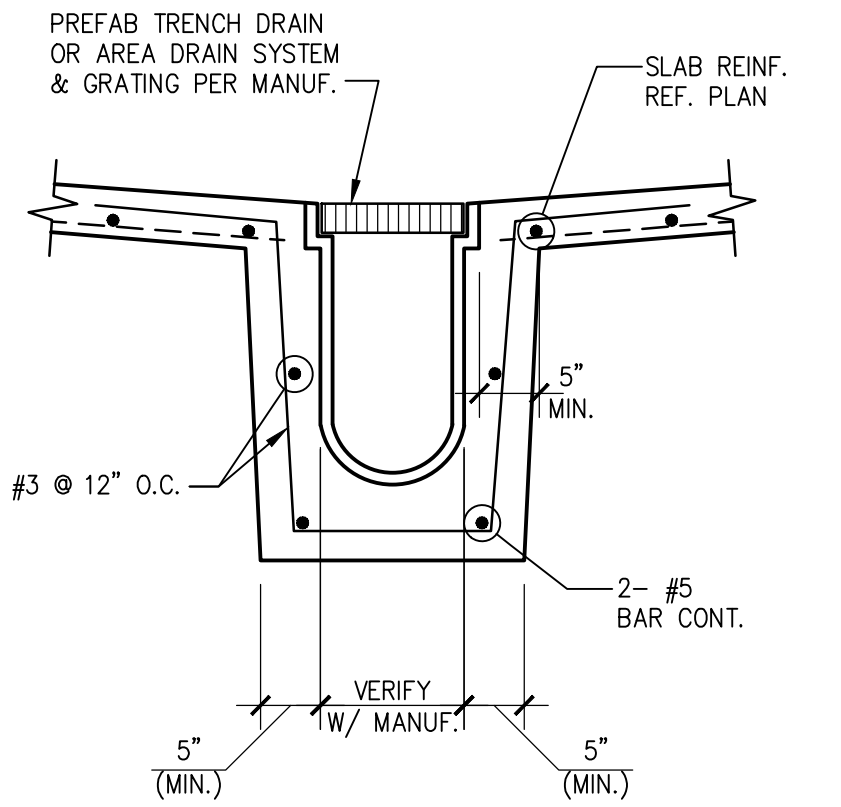
02 SECTION

SCALE: 3/4"=1'-0"



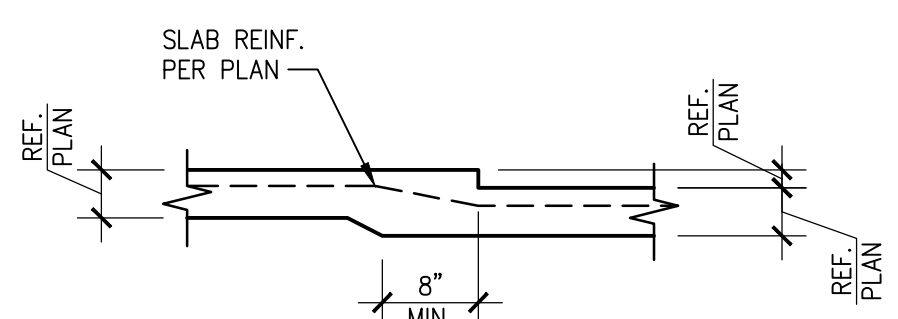
07 TYP. CURB DETAIL

SCALE: 3/4"=1'-0"



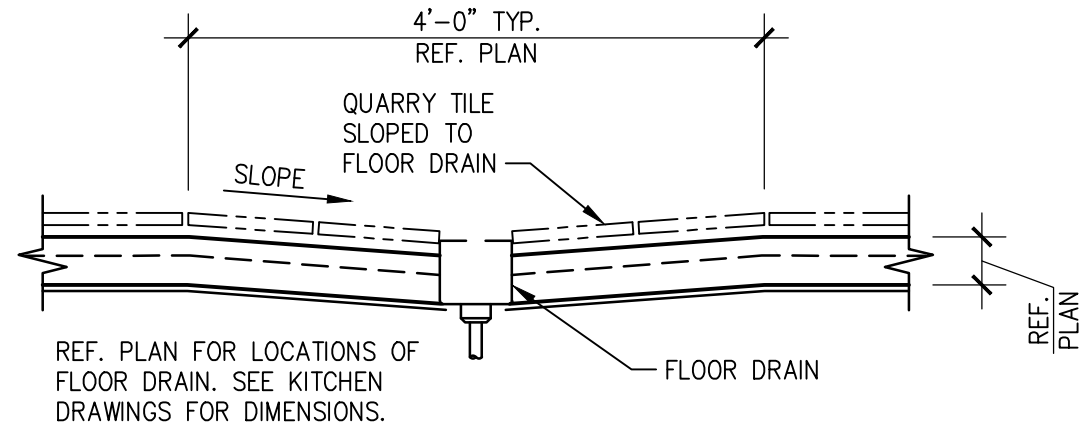
08 SECTION

SCALE: 3/4"=1'-0"



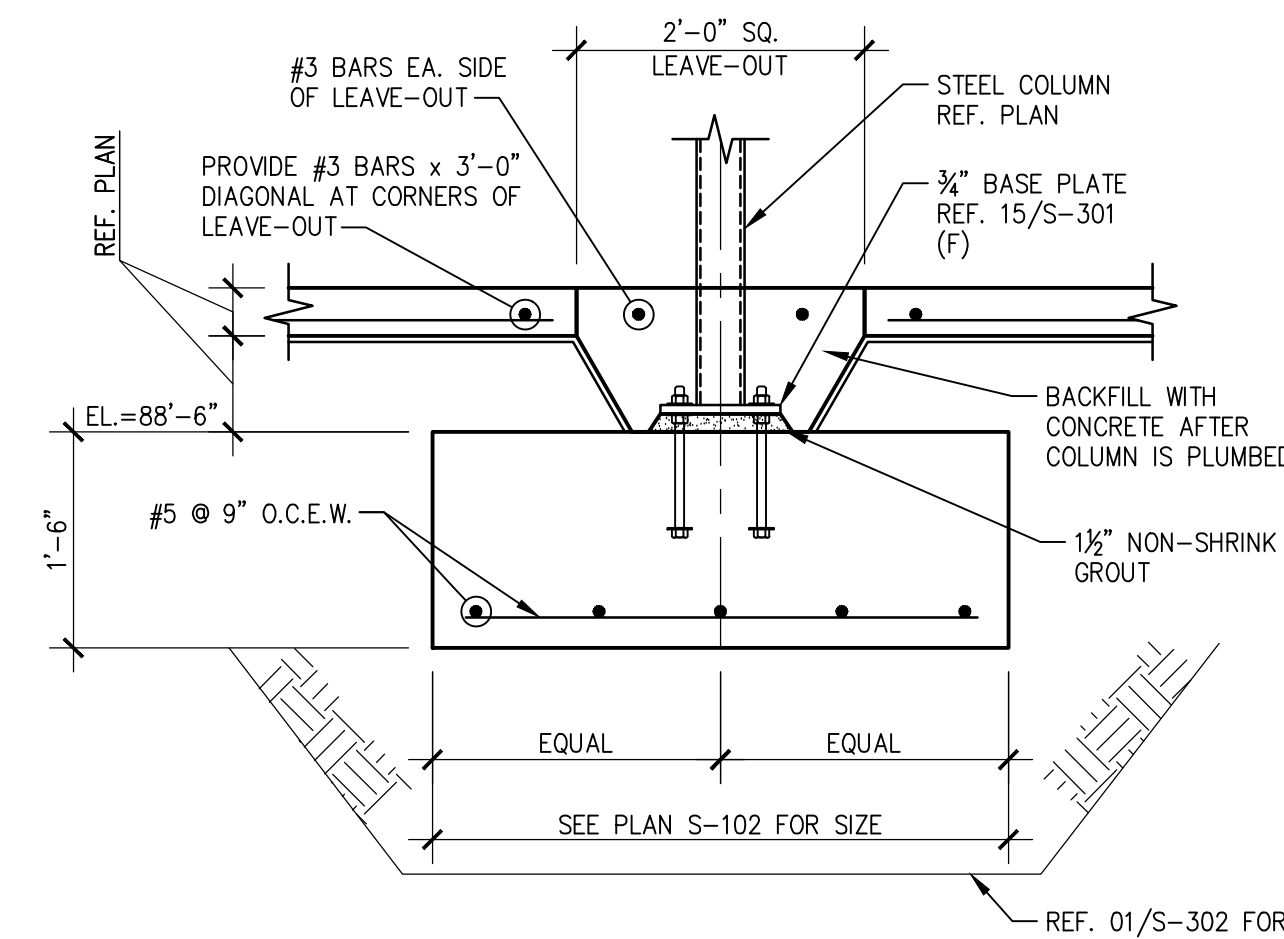
09 TYP. SLAB RECESS

SCALE: 3/4"=1'-0"



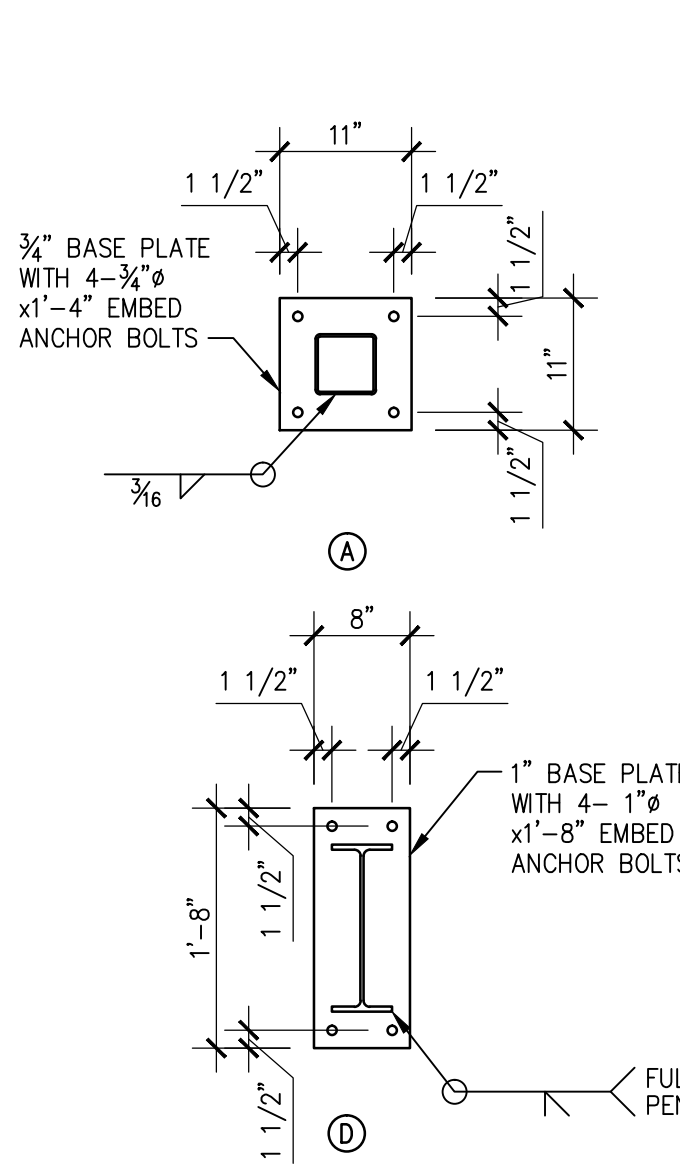
10 TYP. FLOOR DRAIN

SCALE: 3/4"=1'-0"



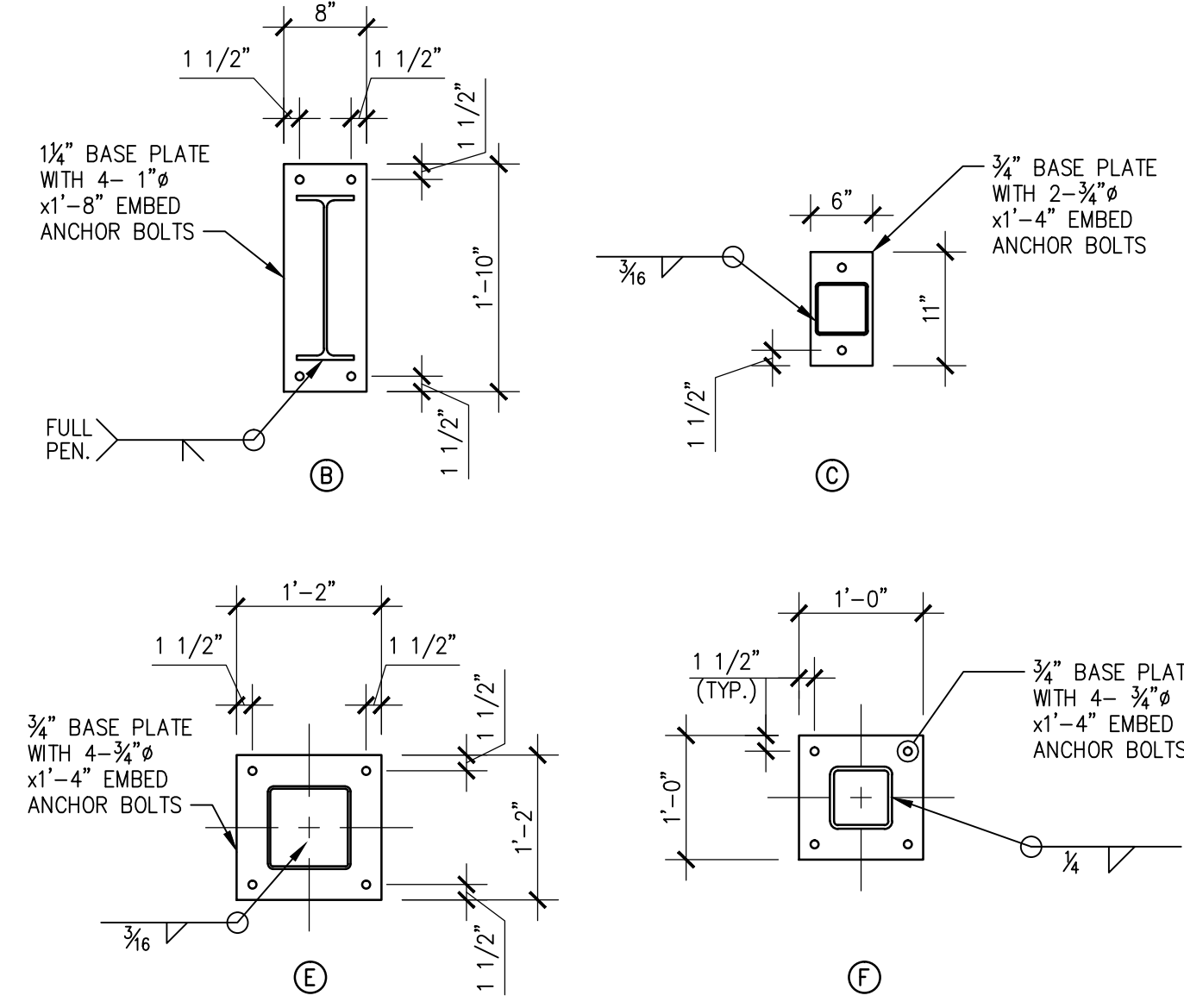
14 TYP. SECTION AT BASEMENT INTERIOR FOOTING

SCALE: 3/4"=1'-0"



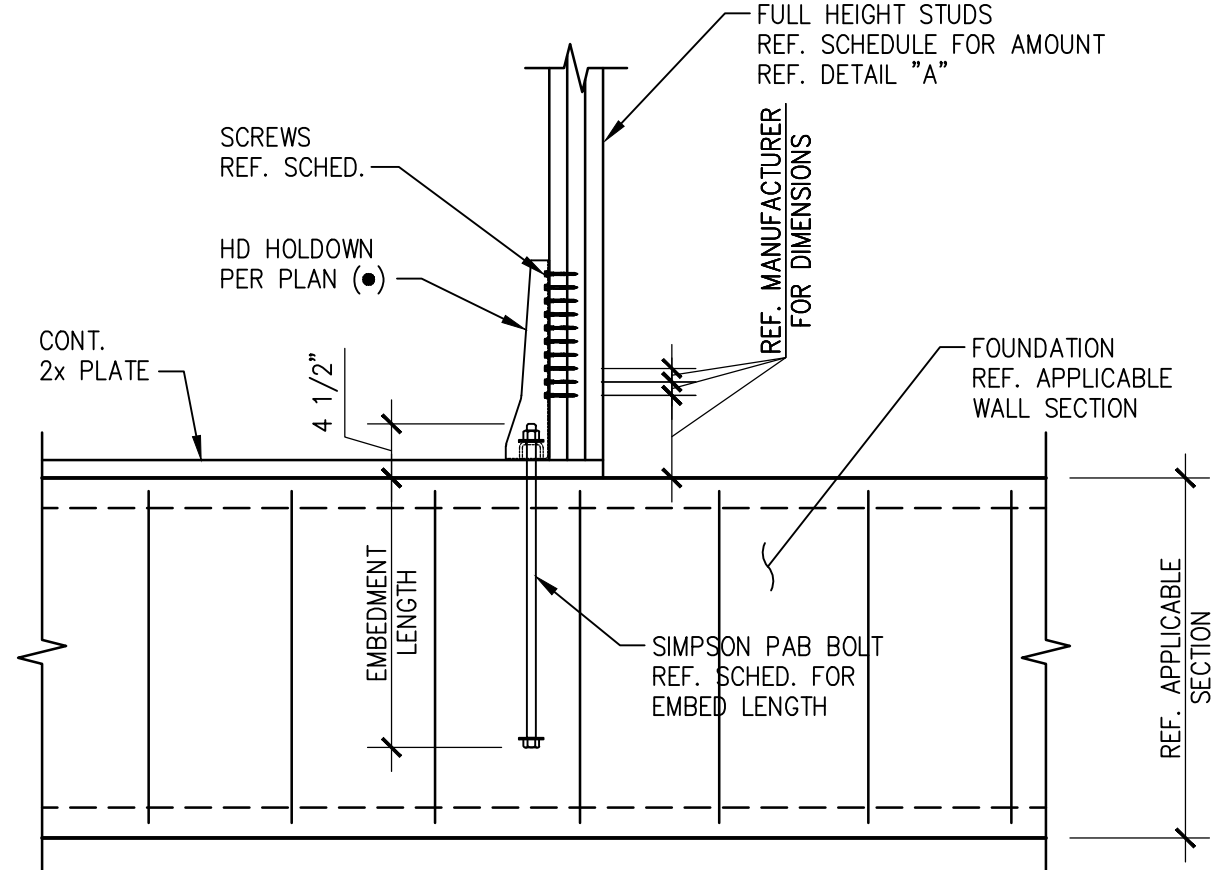
15 COLUMN BASE PLATES

SCALE: 3/4"=1'-0"



16 TYP. HOLDOWN DETAIL - CONCRETE

SCALE: 3/4"=1'-0"



CAST IN PLACE REQUIREMENTS				
HOLDOWN	POST	SCREW #	ANCH. BOLT	BOLT EMBED
HDU2-SDS2.5	3	6- SDS 1/4"x2 1/2"	PAB5	1'-0"
HDU4-SDS2.5	3	10- SDS 3/8"x2 1/2"	PAB5	1'-0"
HDU5-SDS2.5	3	14- SDS 1/2"x2 1/2"	PAB5	1'-0"
HDU8-SDS2.5	3	20- SDS 5/8"x2 1/2"	PAB7	1'-0"
HDU11-SDS2.5	4	30- SDS 3/4"x2 1/2"	PAB8	1'-0"
HDU14-SDS2.5	5	36- SDS 7/8"x2 1/2"	PABH	1'-2"
HD19	6	5- 1" BOLTS	PAB10	1'-3"

NOTE: ADD LENGTH TO BOLTS EXTENDING THROUGH CURBS.

Associates, Inc.
Consulting Engineers
TX FIRM REG. #511
2948 N. Stemmons Freeway
Dallas, Texas 75247-0103
Phone: (214) 637-6299
www.rara.net

Drawing No.

S-301

Issue Date

OCTOBER 25, 2017

© COPYRIGHT REES ASSOCIATES, INC. 2017