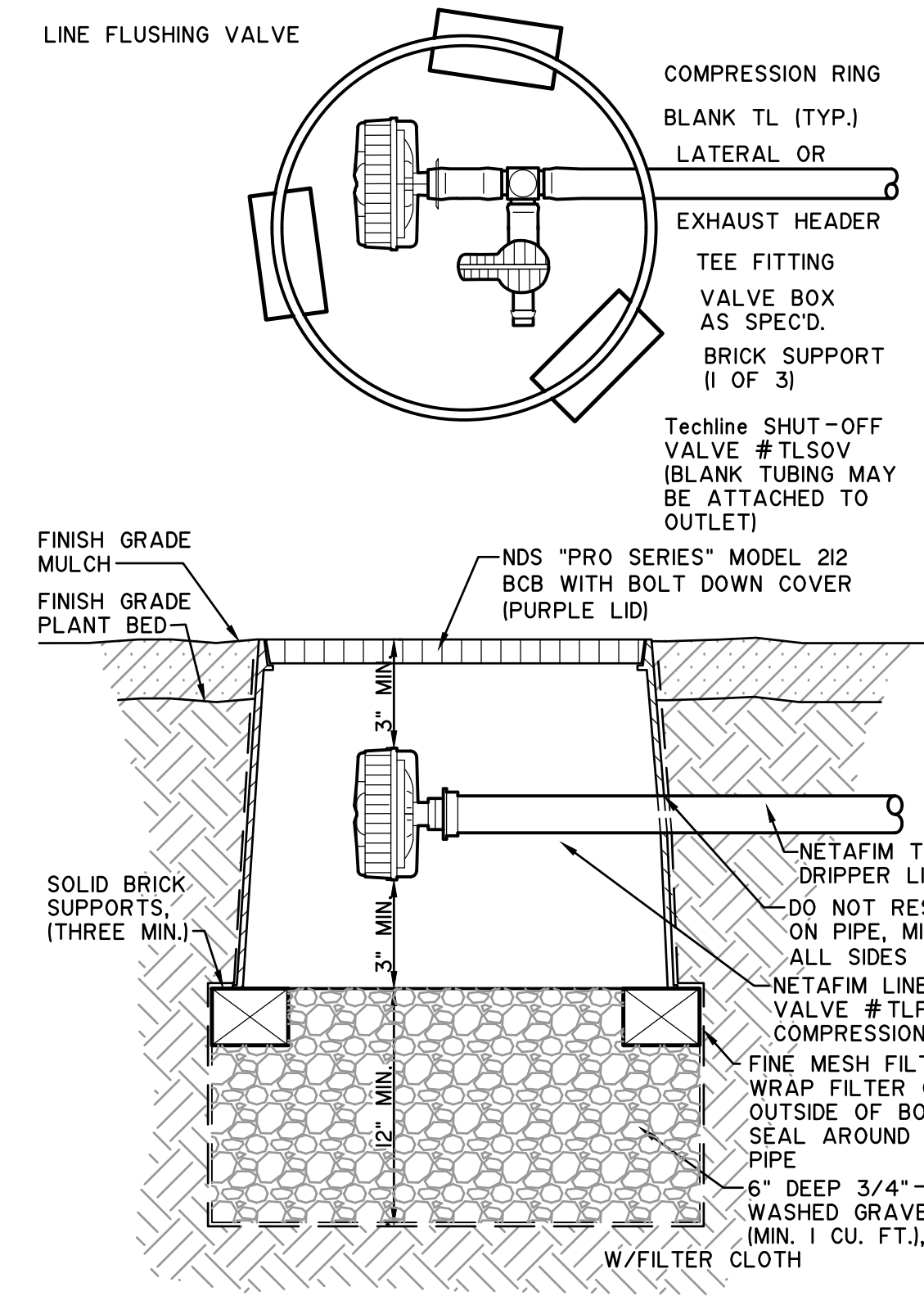


- NOTES:**
- DO NOT PENETRATE ROOT BALL WITH PIPING, GRAVEL SUMP, OR TREE WATERING SYSTEM BODY.
  - WRAP BOTH GRAVEL SUMP AND WATERING SYSTEM WITH SILT SOCK.
  - FOR TWO BUBBLER SYSTEM, PLACE BUBBLERS ON UPHILL SIDE OF TREE WELL.
  - FOR ONE BUBBLER SYSTEM, PLACE BUBBLER ON UPHILL SIDE OF TREE WELL.

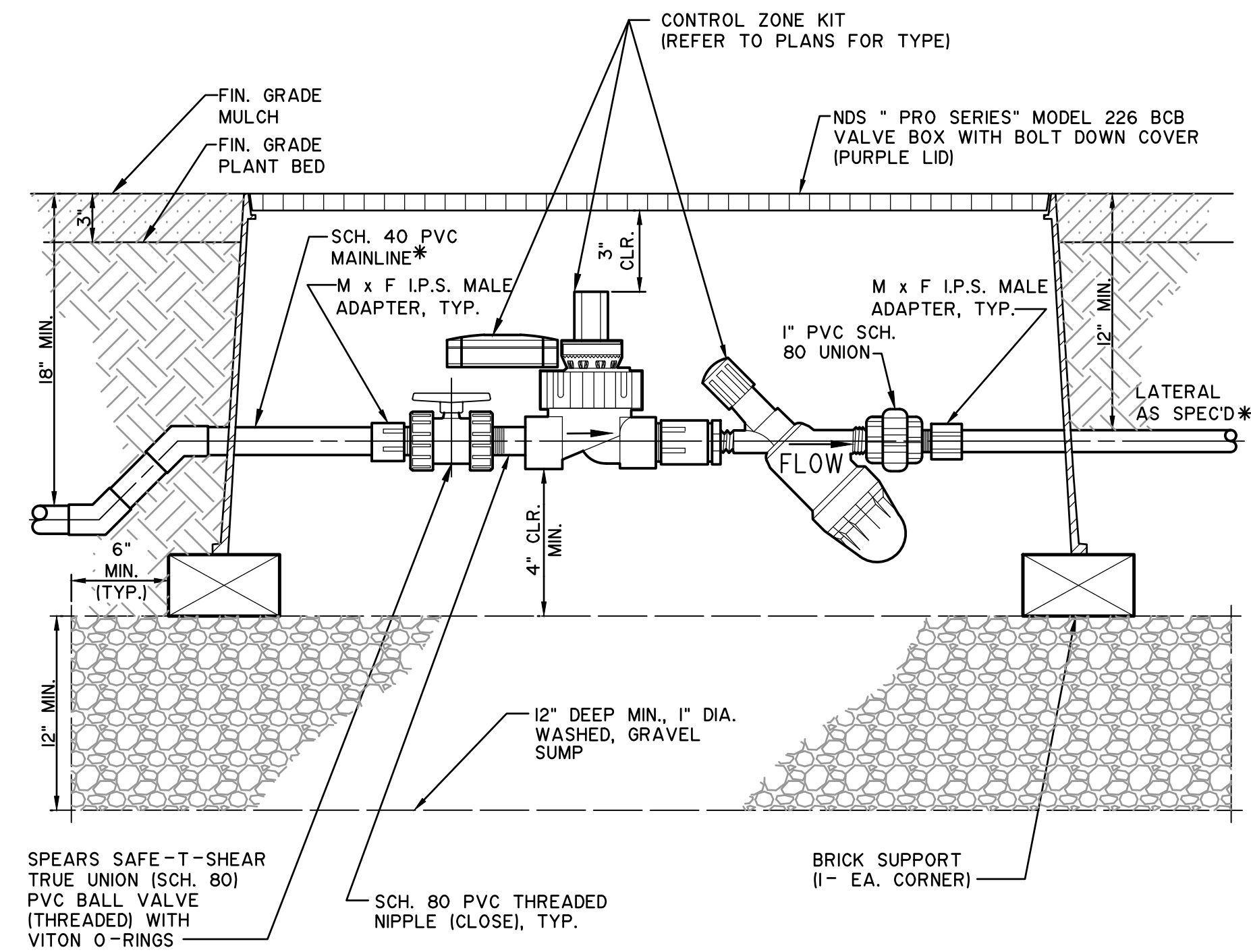
**RAIN BIRD TREE WATERING SYSTEM AT TREE BALL**

NO SCALE: 1804-02.DWG



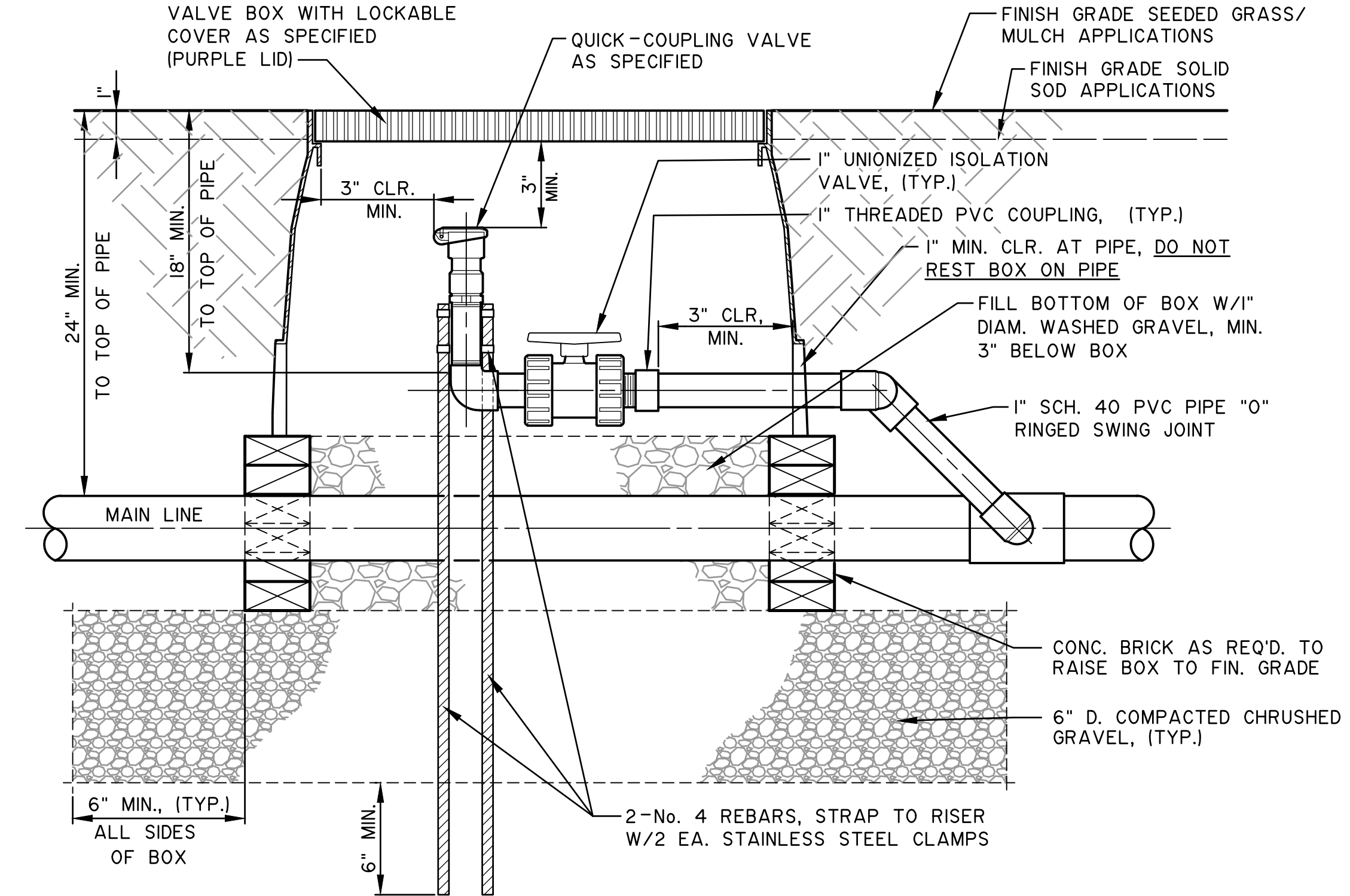
**DRIP LINE FLUSHING VALVE**

NO SCALE D:\g...\_FL\_Vol.dwg



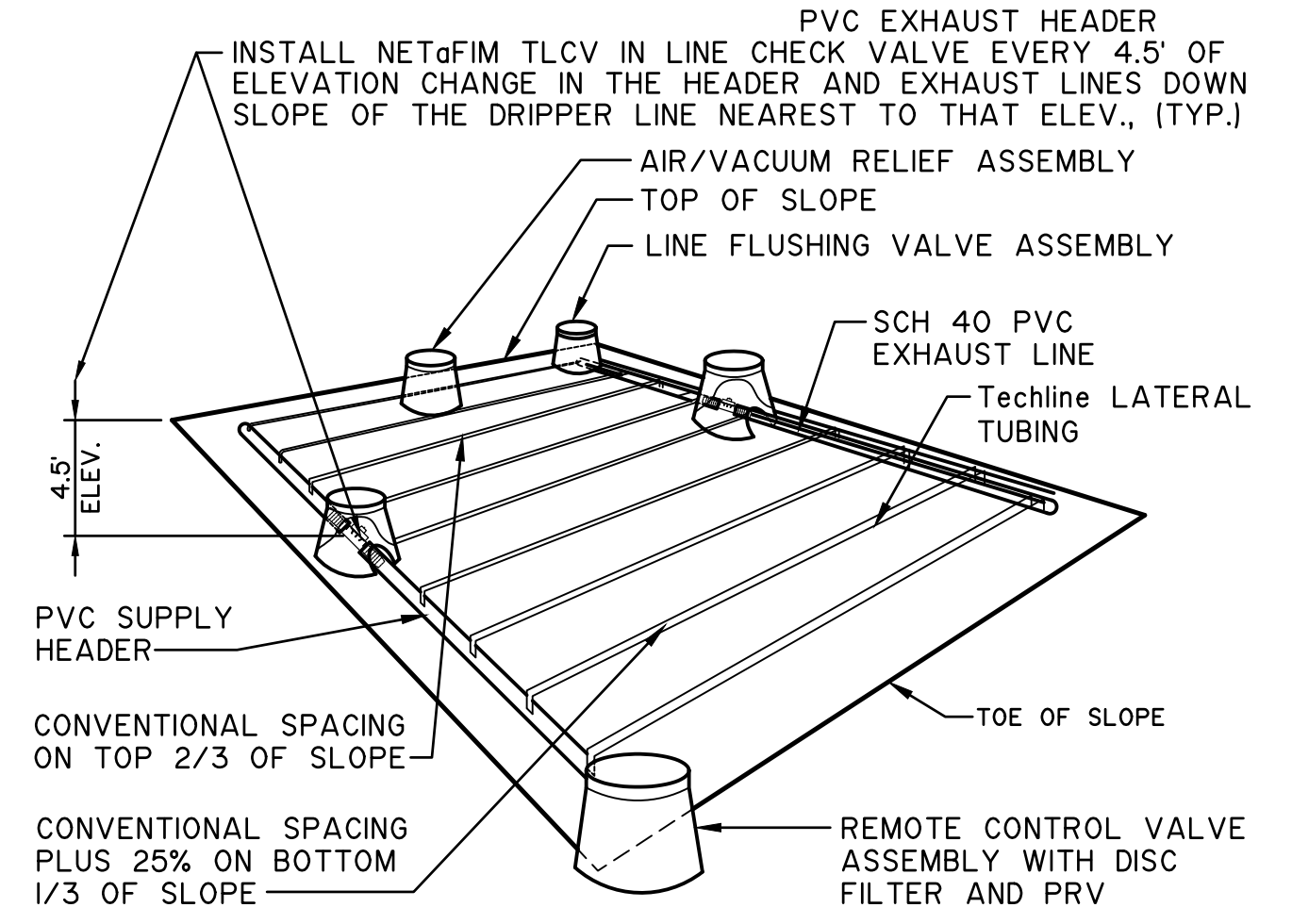
**DRIP ZONE VALVE ASSEMBLY**

NO SCALE 303.dwg



**QUICK COUPLING VALVE**

NO SCALE: 0c-3rc.dwg



**TECHLINE SLOPE FEED LAYOUT**

NO SCALE: 104-2WG

**Civil Engineer**  
SCHRIKEL, ROLLINS AND ASSOCIATES, INC.  
1161 CORPORATE DRIVE WEST SUITE 200  
ARLINGTON, TEXAS 76006  
P: 817.646.3216

**Mechanical, Electrical, Plumbing Engineer**  
MEP SYSTEMS  
918 DRAGON STREET  
DALLAS, TEXAS 75207  
P: 214.915.0929

**Structural Engineer**  
RONALD A. ROBERTS ASSOCIATES, INC.  
2948 N. STEMMONS FREEWAY  
DALLAS, TEXAS 75207  
P: 214.684.6299

**Kitchen Consultant**  
PROFITABLE FOOD FACILITIES  
14026 Danford Drive  
POWAY, CALIFORNIA 92064  
P: 858.748.7333

**A/V Consultant**  
ACHIEVE AV, INC.  
730 World Dr  
CEDAR HILL, TEXAS 75104  
P: 214.884.5951

**CHESTER W. DITTO GOLF COURSE CLUBHOUSE**  
CITY OF ARLINGTON  
801 BROWN BLVD - ARLINGTON, TX 76011

No.	Date
Revisions	
Project No.	21538.00
Drawn	-CH
	-XT
	-MW
	-HP
Checked	-MDS
Approved	
10-25-17	

**CONSTRUCTION DOCUMENTS**

**IRRIGATION DETAILS**

Drawing No.  
**IR1.03**

Issue Date  
OCTOBER 25, 2017