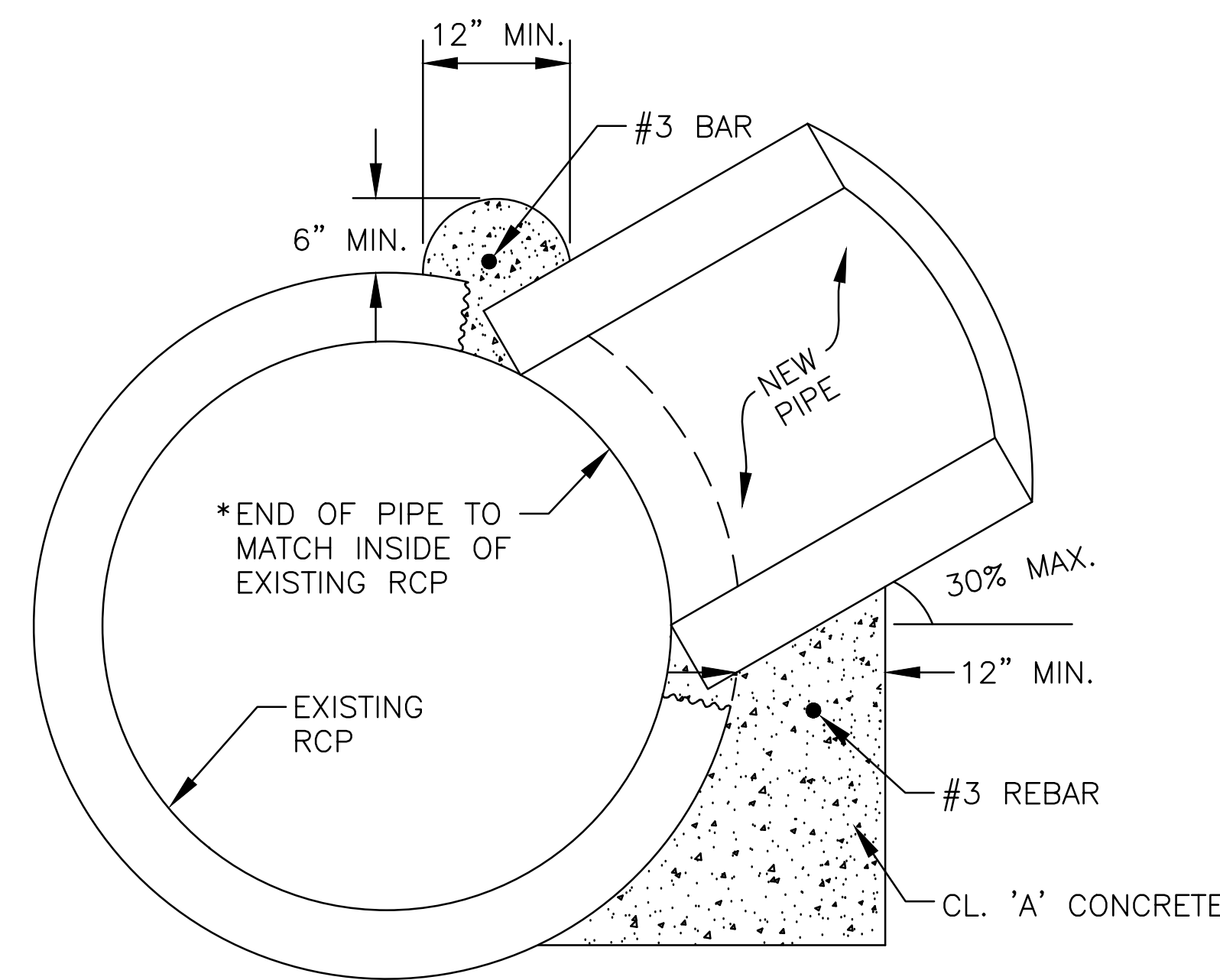
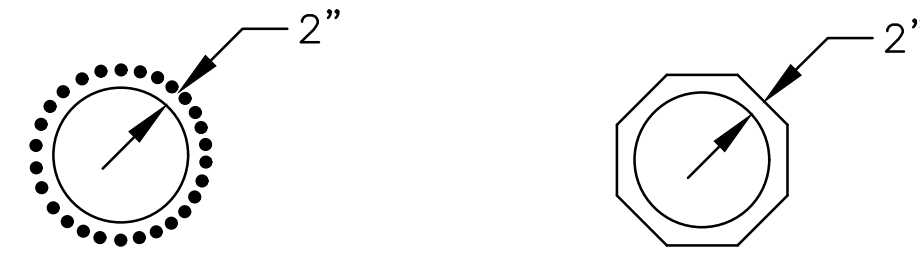


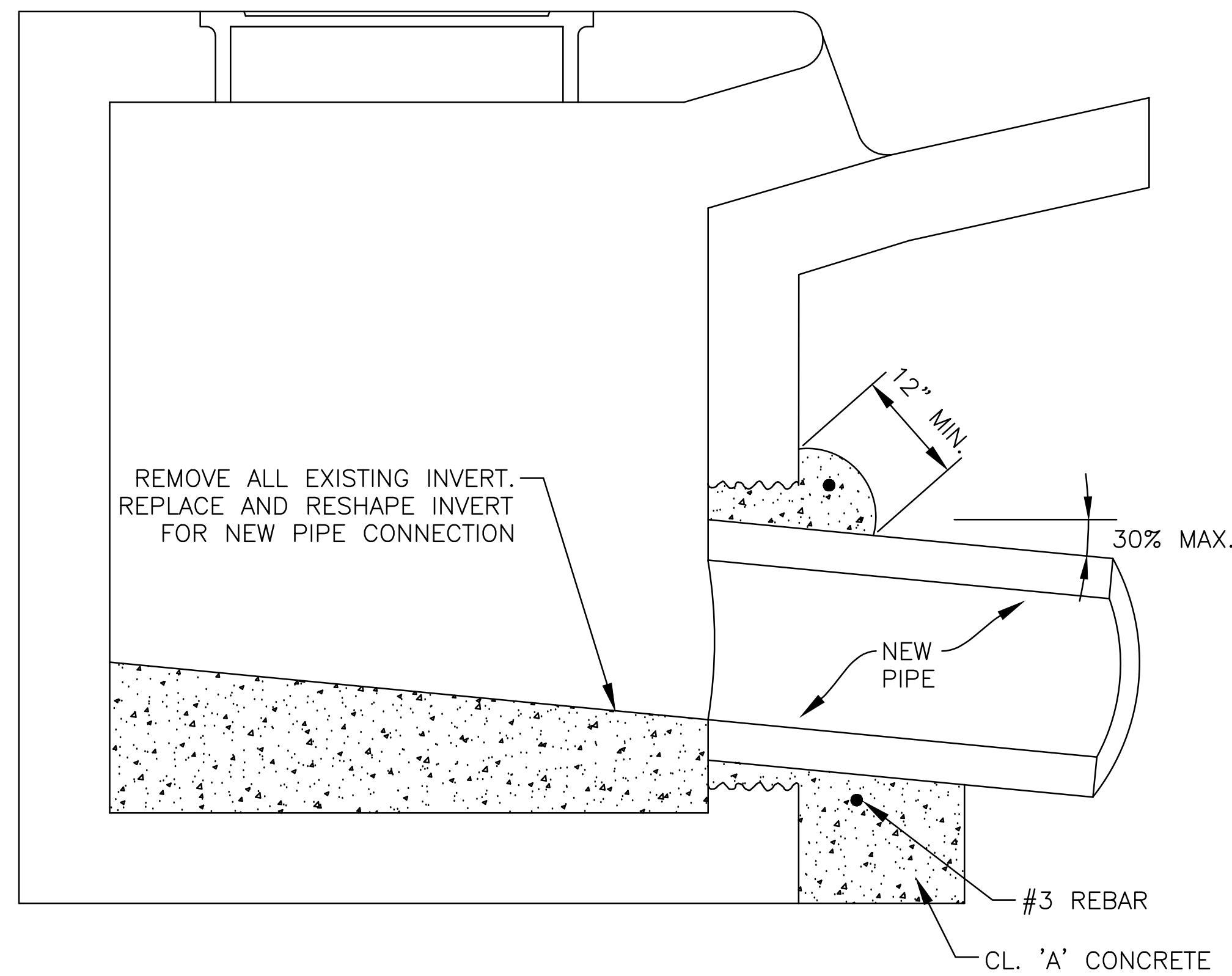
* MAXIMUM DIAMETER OF NEW PIPE EQUALS ONE HALF OF EXISTING PIPE'S DIAMETER.



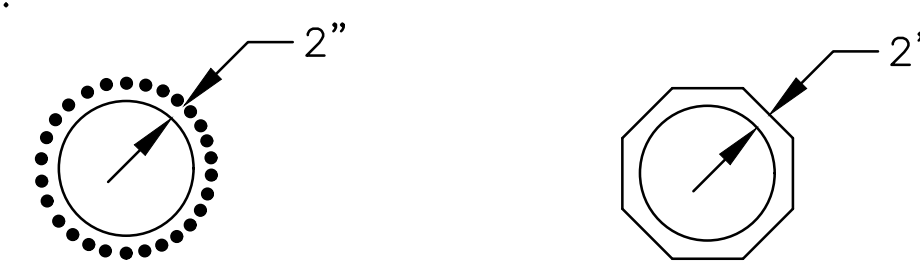
* REMOVAL OF PLUG FROM EXISTING RCP TO BE ACCOMPLISHED BY USING A MASONRY DRILL AT A SPACING EQUAL TO THE DRILL BIT DIAMETER IN A CIRCULAR PATTERN OR A MASONRY SAW IN AN OCTAGONAL PATTERN PER DETAIL.



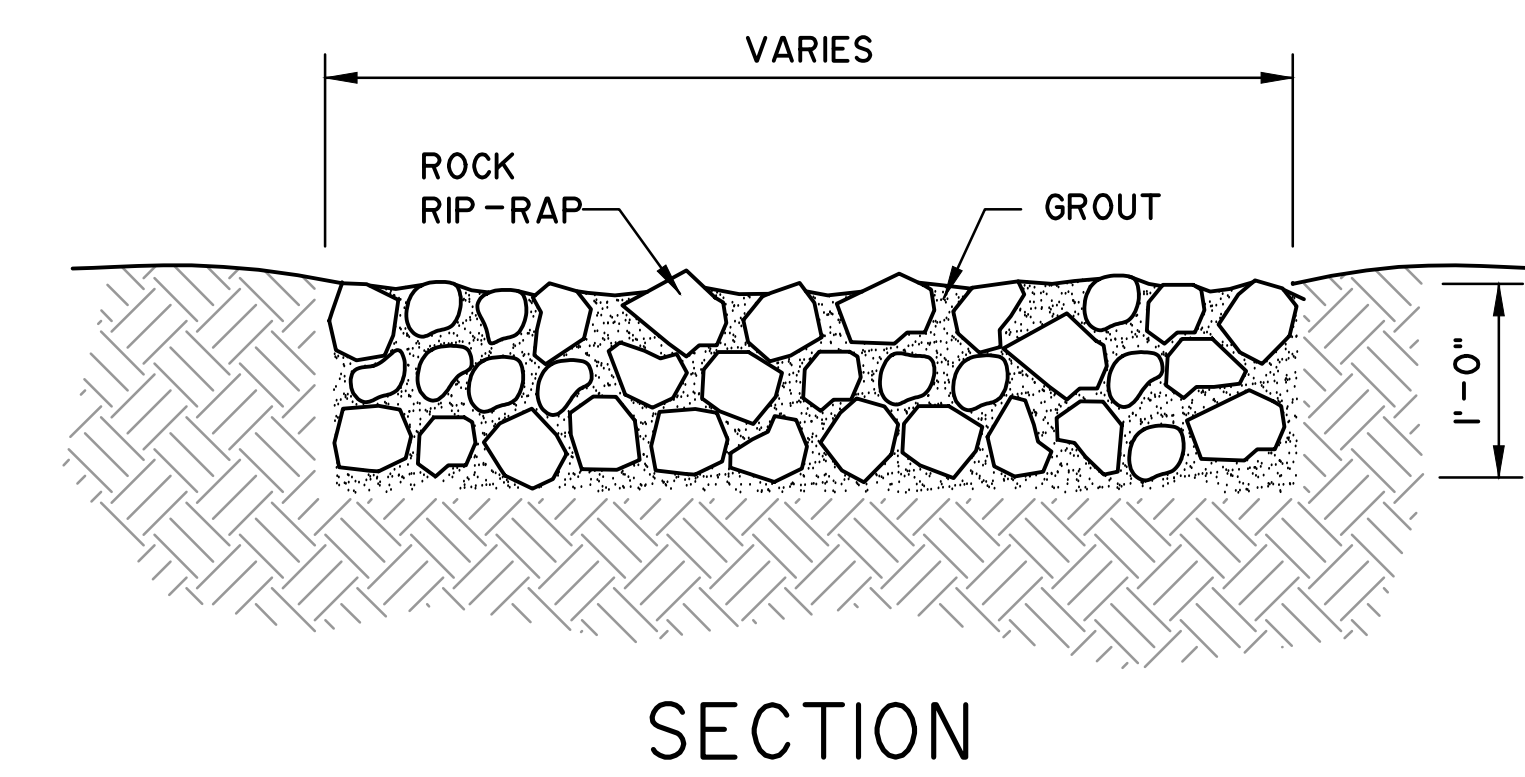
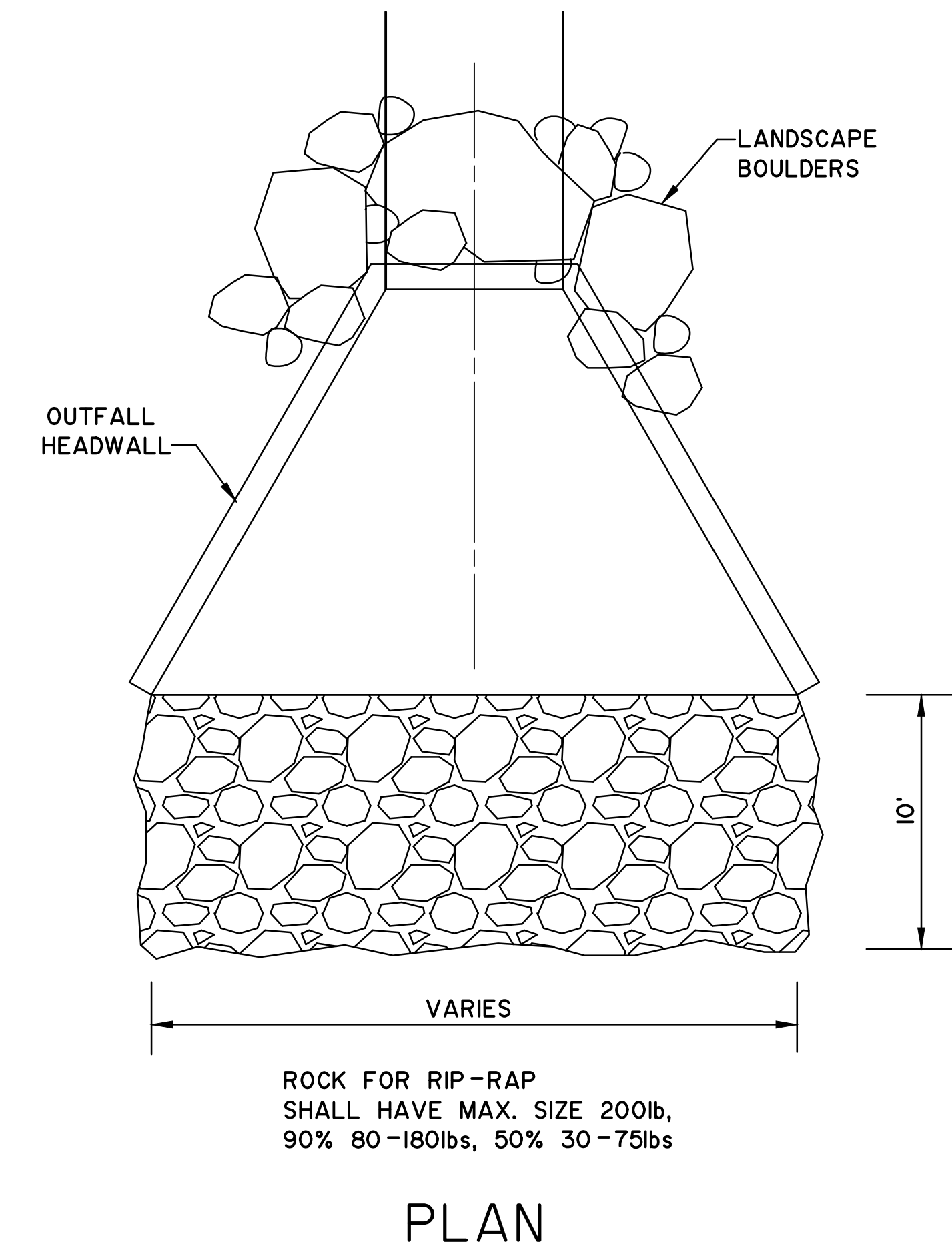
STORM DRAIN CONNECTION TO EXISTING RCP
NTS



* REMOVAL OF PLUG FROM EXISTING INLET TO BE ACCOMPLISHED BY USING A MASONRY DRILL AT A SPACING EQUAL TO THE DRILL BIT DIAMETER IN A CIRCULAR PATTERN OR A MASONRY SAW IN AN OCTAGONAL PATTERN PER DETAIL.



STORM DRAIN CONNECTION TO EXISTING INLET
NTS



GROUTED ROCK RIP-RAP

NO SCALE

Civil Engineer

SCHRIKEL, ROLLINS AND ASSOCIATES, INC.
1161 CORPORATE DRIVE WEST
SUITE 200
ARLINGTON, TEXAS 76006
P: 817.648.3216

Mechanical, Electrical, Plumbing Engineer

MEP SYSTEMS
918 DRAGON STREET
DALLAS, TEXAS 75207
P: 214.915.0929

Structural Engineer

2948 N. STEMMONS FREEWAY
DALLAS, TEXAS 75247
P: 214.637.8299

Kitchen Consultant

PROFITABLE FOOD FACILITIES
4026 DONORT DRIVE
POWAY, CALIFORNIA 92064
P: 858.748.7333

A/V Consultant

ACHIEVE AV, INC.
730 WARD DR
CEDAR HILL, TEXAS 75104
P: 214.884.5951



CHESTER W. DITTO GOLF COURSE CLUBHOUSE
CITY OF ARLINGTON
801 BROWN BLVD - ARLINGTON, TX 76011

No. _____ Date _____

Revisions

Project No. 21538.00

Drawn -CH

-XT

-MW

-HP

Architect

Checked -MDS

-

Approved

-

-

-

10-25-17

Engineer

Key:

CONSTRUCTION DOCUMENTS

Title:

STORM DRAIN DETAILS

Drawing No.

C4.09

Issue Date

OCTOBER 25, 2017