

Civil Engineer
SCHRICKEL, ROLLINS
AND ASSOCIATES, INC.
1161 CORPORATE DRIVE WEST
SUITE 200
ARLINGTON, TEXAS 76006
P: 817.649.3216


**Mechanical, Electrical,
Plumbing Engineer**
MEP SYSTEMS
918 DRAGON STREET
DALLAS, TEXAS 75207
P: 214.915.0929

Structural Engineer
2948 N. STEMMONS FREEWAY
DALLAS, TEXAS 75247
P: 214.637.8299

Kitchen Consultant
PROFITABLE FOOD FACILITIES
14026 DONOR DRIVE
POWAY, CALIFORNIA 92064
P: 858.748.7333

A/V Consultant
ACHIEVE AV, INC.
730 World Dr.
CEDAR HILL, TEXAS 75104
P: 214.884.5951


ARLINGTON
THE AMERICAN GREAT CITY
**CHESTER W. DITTO GOLF COURSE
CLUBHOUSE**
CITY OF ARLINGTON
801 BROWN BLVD - ARLINGTON, TX 76011

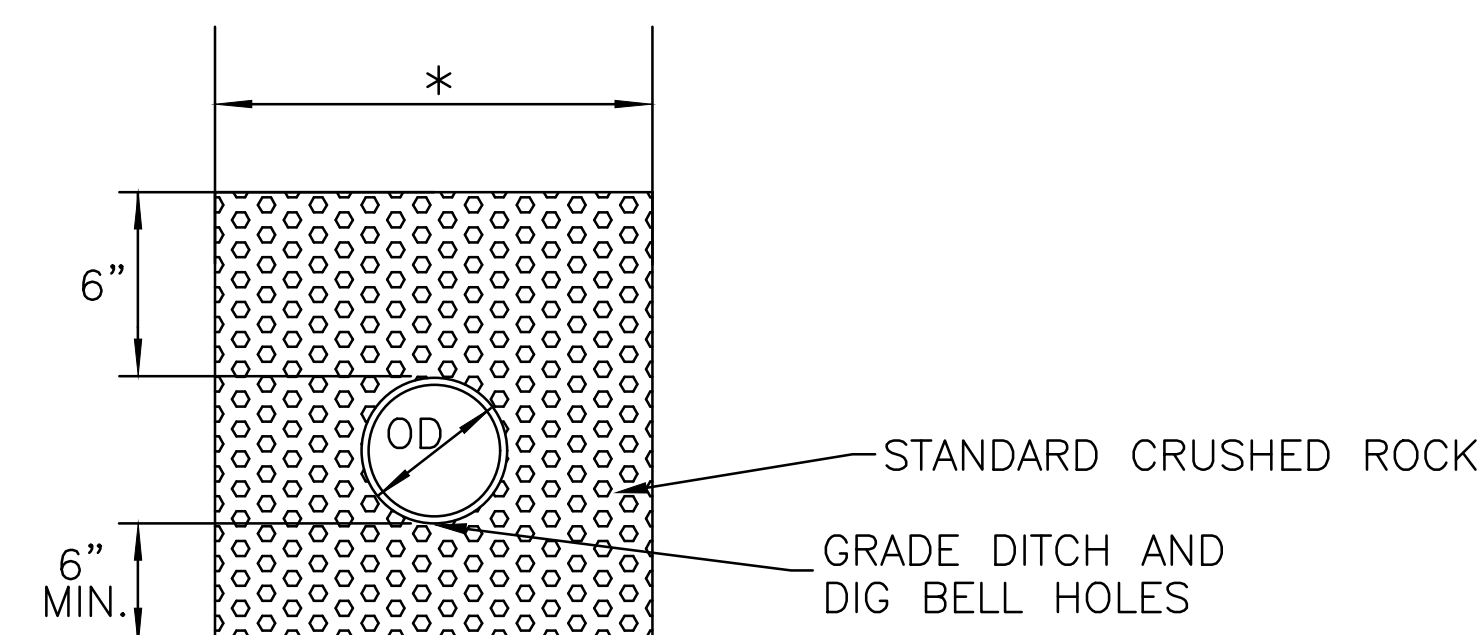
No.	Date
Revisions	
Project No.	21538.00
Drawn	-CH -XT -MW -HP
Checked	-MDS
Approved	 LARRY D. STONE REGISTERED PROFESSIONAL ENGINEER State of Texas, No. 42252, Exp. 10-25-17 Engineer

CONSTRUCTION DOCUMENTS

Title:
**WATER AND
SANITARY SEWER
DETAILS**

Drawing No.
C4.07

Issue Date
OCTOBER 25, 2017



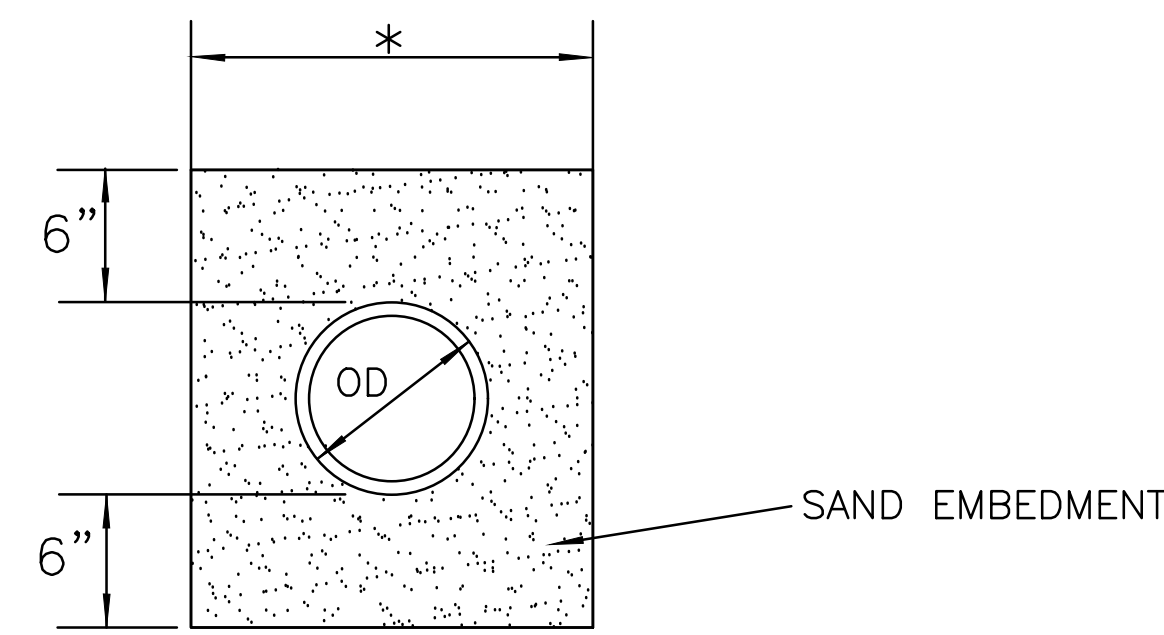
**CLASS "B" EMBEDMENT
TYPICAL SANITARY SEWER MAIN**

<u>PIPE WITH BELLS</u> 6"-30" 36" & LARGER	<u>MIN. TRENCH WIDTH *</u> OD + 12" OD + 16"	<u>MAX. TRENCH WIDTH *</u> OD + 16" OD + 24"
<u>PIPE WITH SLEEVES SOCKETS OR COUPLINGS</u> 4"-12" 15" & LARGER	<u>MIN. TRENCH WIDTH *</u> OD + 12" OD + 16"	<u>MAX. TRENCH WIDTH *</u> OD + 16" OD + 21"

* TRENCH WIDTH 1' ABOVE TOP OF PIPE

**FIGURE 29
CLASS "A" & "B"
SEWER EMBEDMENT
ARLINGTON WATER UTILITIES**

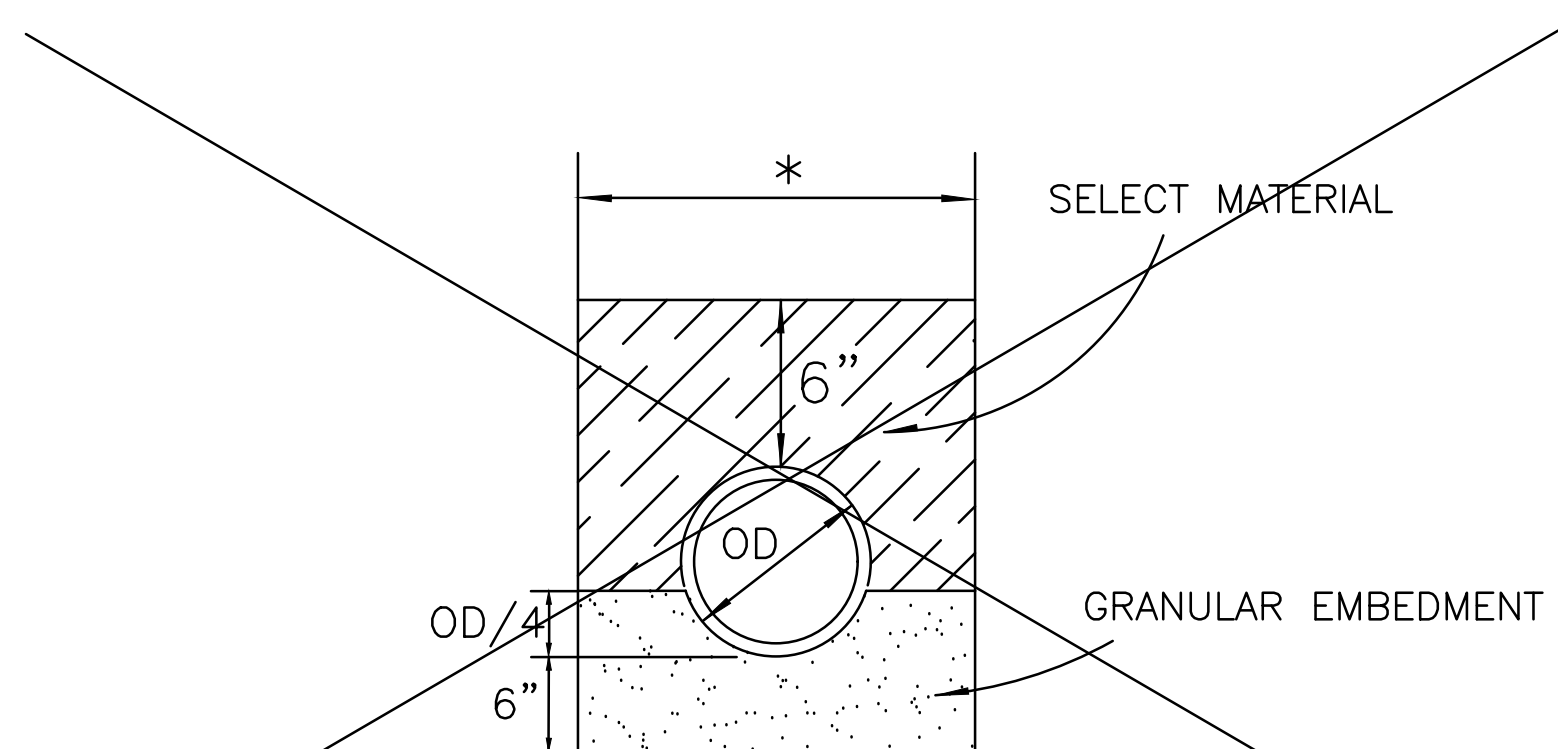
REV: 02/16/12



**CLASS "C" EMBEDMENT
TYPICAL WATER MAIN**

<u>PIPE WITH BELLS</u> 6"-30" 36" & LARGER	<u>MIN. TRENCH WIDTH *</u> OD + 12" OD + 16"	<u>MAX. TRENCH WIDTH *</u> OD + 16" OD + 24"
<u>PIPE WITH SLEEVES SOCKETS OR COUPLINGS</u> 4"-12" 15" & LARGER	<u>MIN. TRENCH WIDTH *</u> OD + 12" OD + 16"	<u>MAX. TRENCH WIDTH *</u> OD + 16" OD + 21"

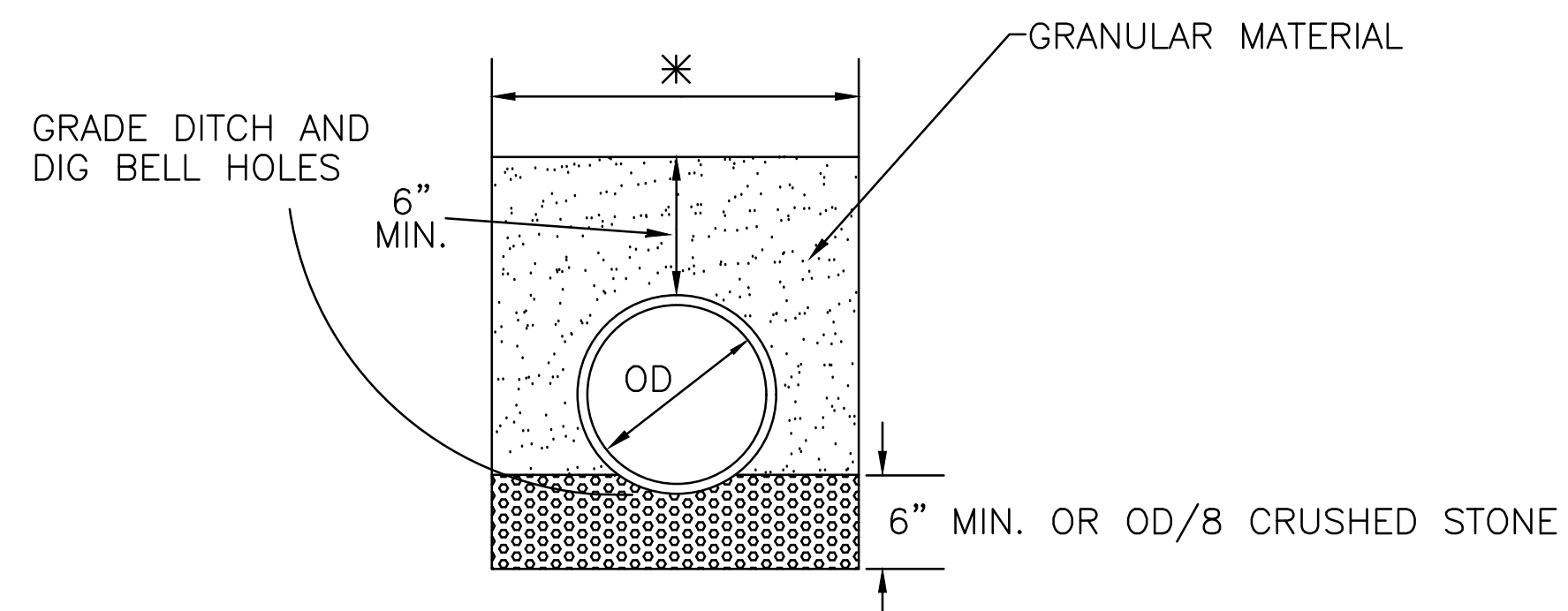
* TRENCH WIDTH 1' ABOVE TOP OF PIPE



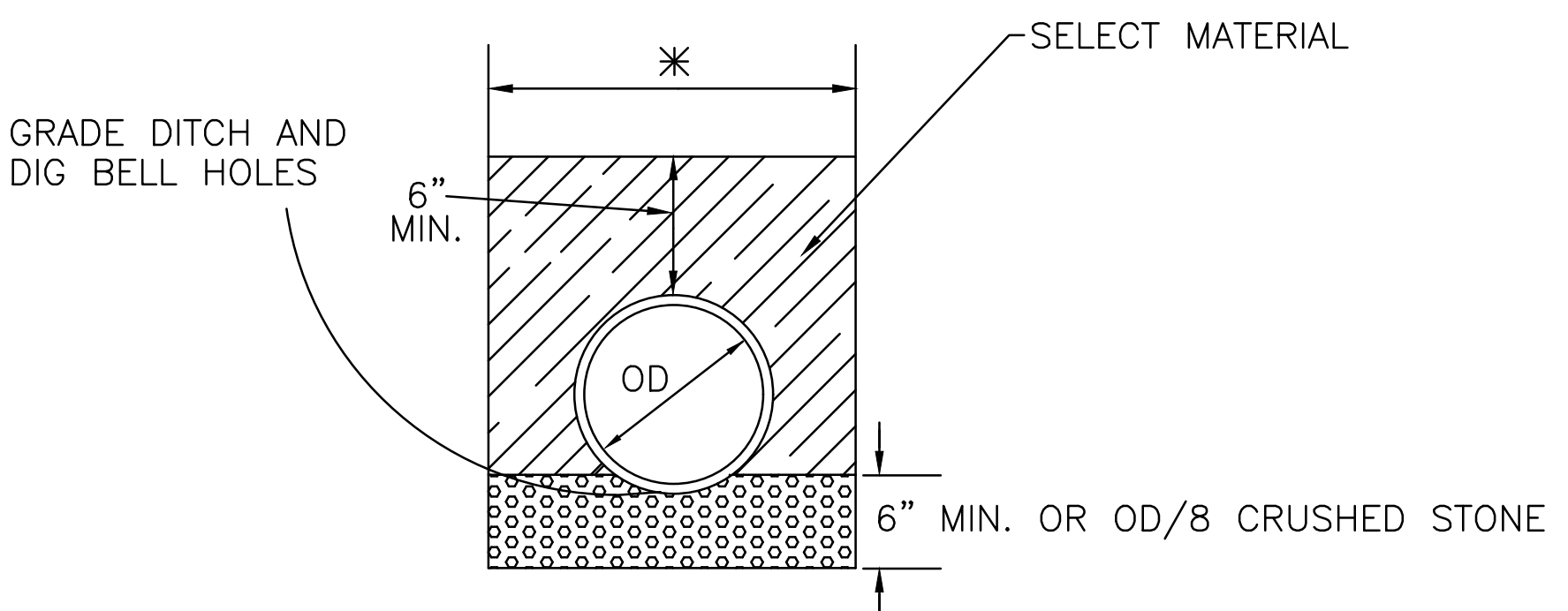
**CLASS "D" EMBEDMENT
NOT USED**

**FIGURE 30
CLASS "C"
WATER EMBEDMENT
ARLINGTON WATER UTILITIES**

REV: 02/16/12



CLASS "E" EMBEDMENT



CLASS "F" EMBEDMENT

<u>PIPE WITH BELLS</u> 6"-30" 36" & LARGER	<u>MIN. TRENCH WIDTH *</u> OD + 12" OD + 16"	<u>MAX. TRENCH WIDTH *</u> OD + 16" OD + 24"
<u>PIPE WITH SLEEVES SOCKETS OR COUPLINGS</u> 4"-12" 15" & LARGER	<u>MIN. TRENCH WIDTH *</u> OD + 12" OD + 16"	<u>MAX. TRENCH WIDTH *</u> OD + 16" OD + 21"

* TRENCH WIDTH 1' ABOVE TOP OF PIPE

**FIGURE 31
CLASS "E" & "F"
WATER EMBEDMENT
ARLINGTON WATER UTILITIES**

REV: 02/16/12