

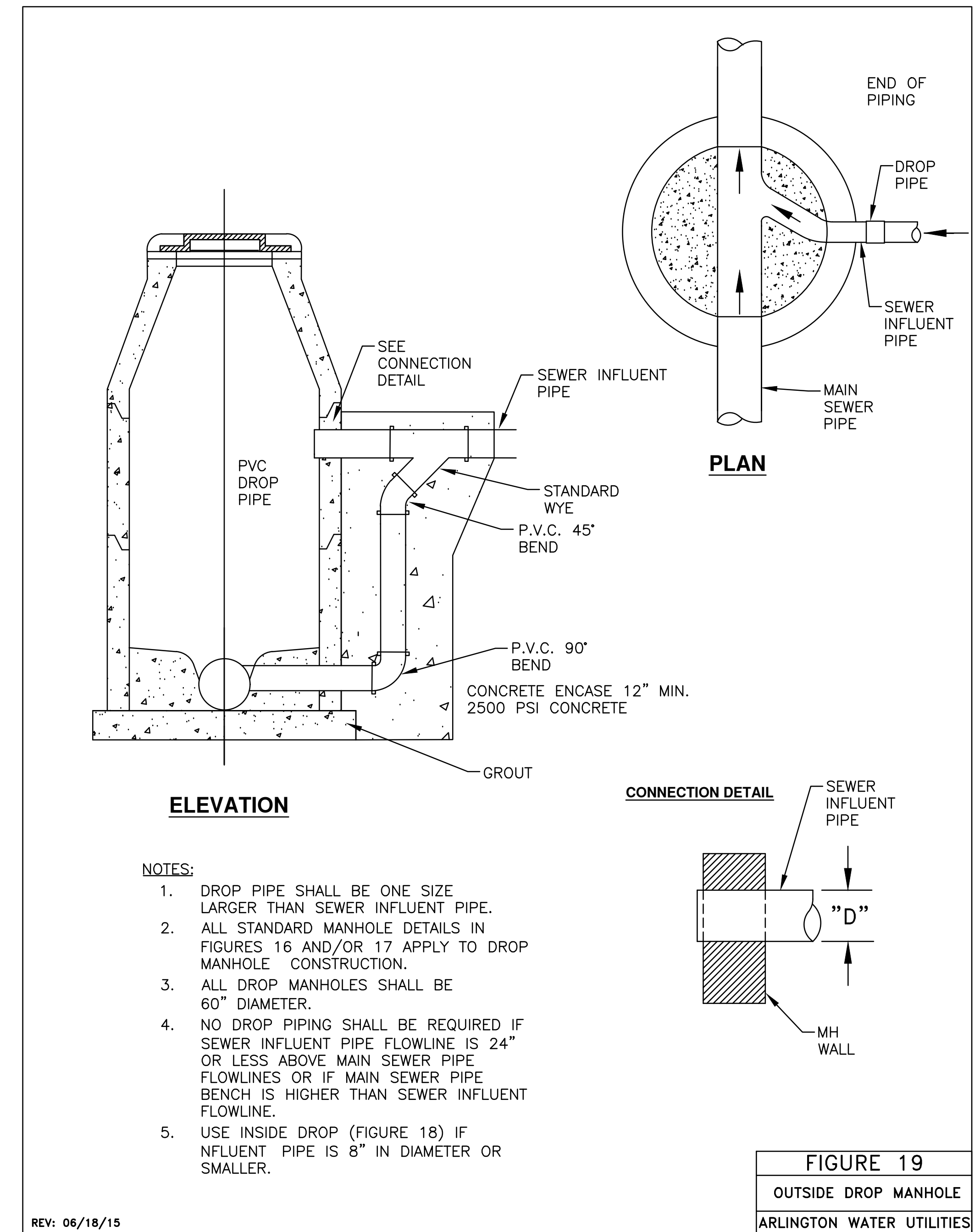
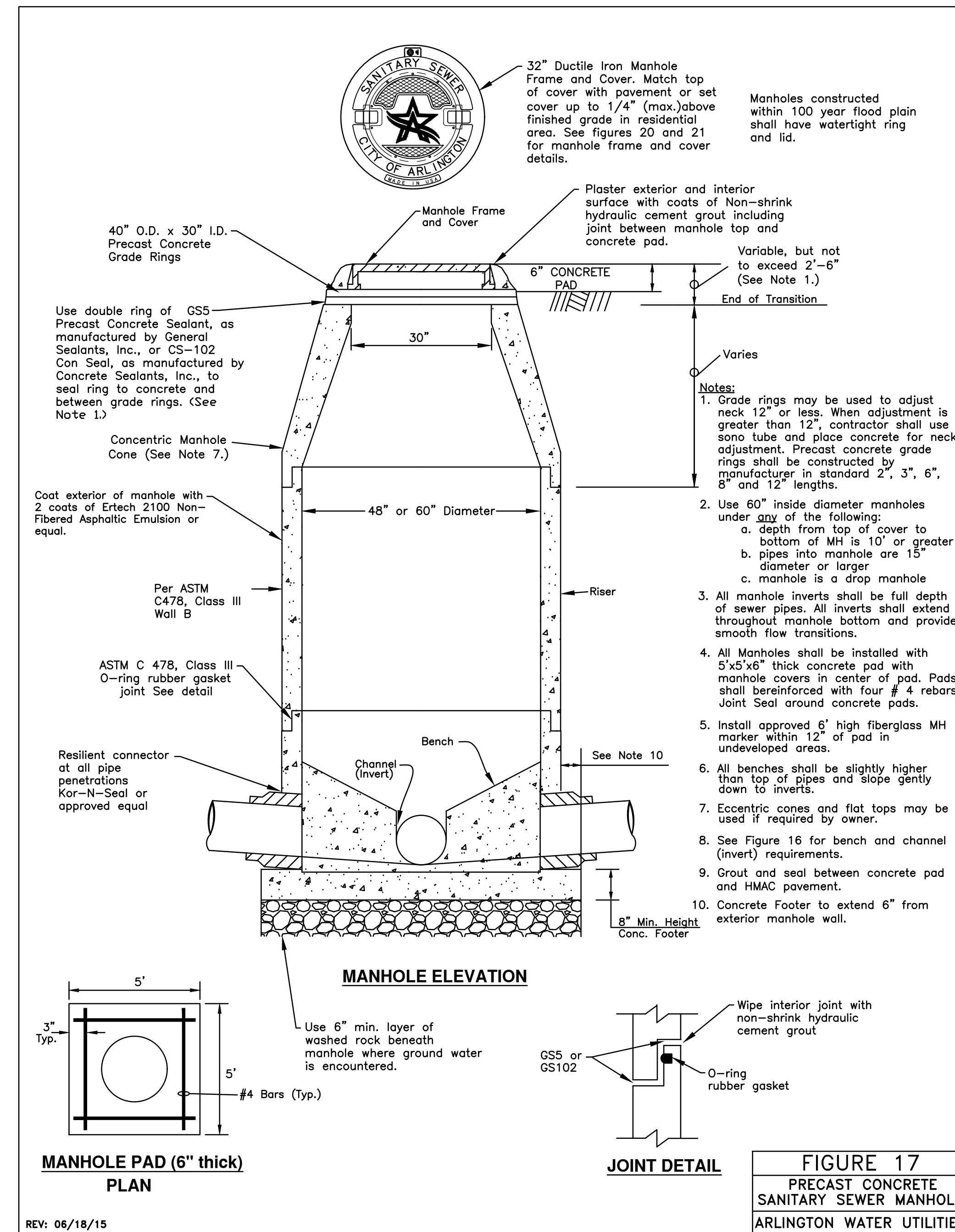
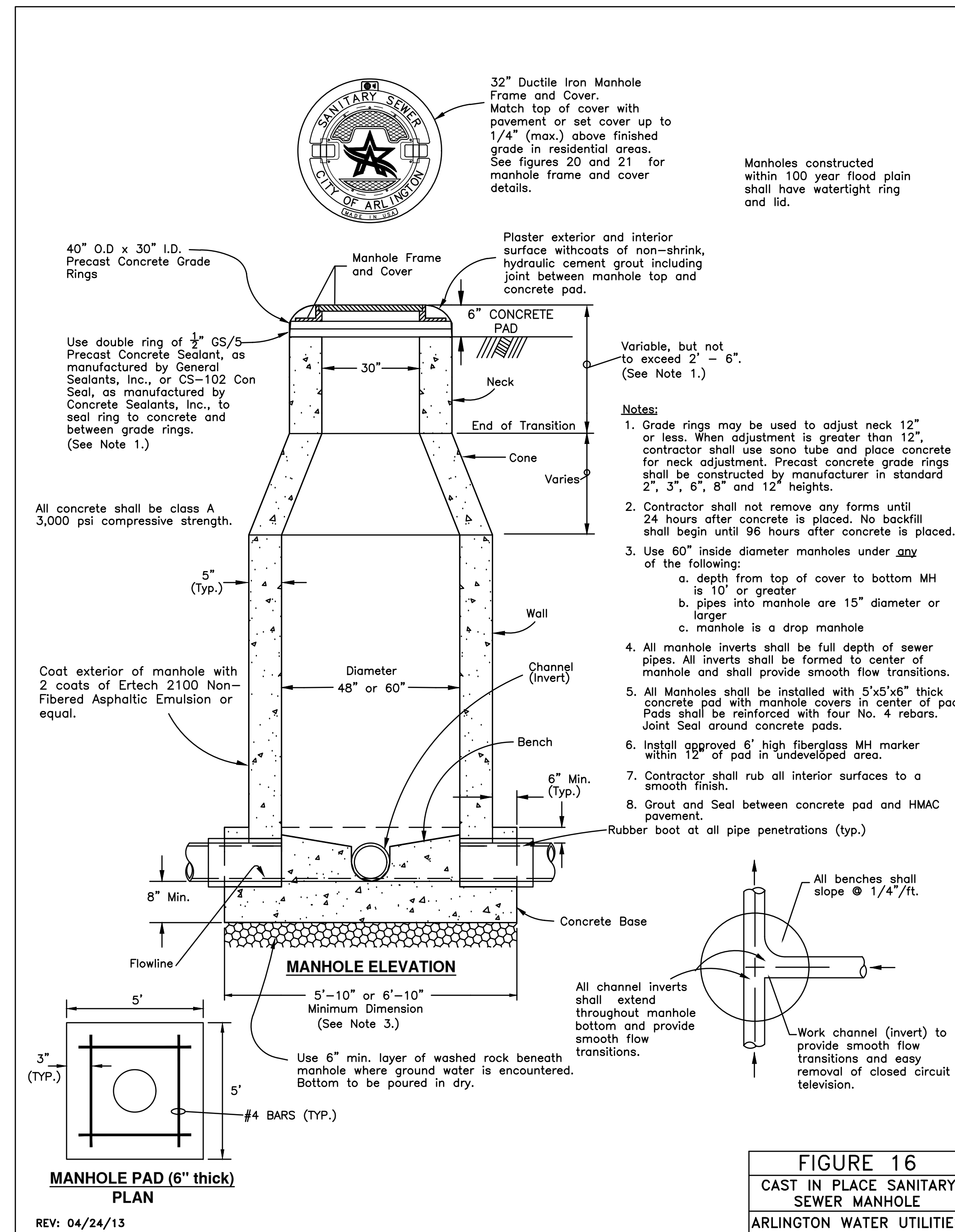
Civil Engineer
SCHRIKEL, ROLLINS
AND ASSOCIATES, INC.
1161 CORPORATE DRIVE WEST
SUITE 200
ARLINGTON, TEXAS 76006
P: 817.649.3216

**Mechanical, Electrical,
Plumbing Engineer**
MEP SYSTEMS
918 DRAGON STREET
DALLAS, TEXAS 75207
P: 214.915.0929

Structural Engineer
2948 N. STEMMONS FREEWAY
DALLAS, TEXAS 75247
P: 214.637.8299

Kitchen Consultant
PROFITABLE FOOD FACILITIES
14026 Donart Drive
POWAY, CALIFORNIA 92064
P: 858.748.7333

A/V Consultant
ACHIEVE AV, INC.
730 WEND DR
CEDAR HILL, TEXAS 75104
P: 214.884.5951



No.	Date
Revisions	
Project No.	21538.00
Drawn	-CH -XT -MW -HP
Checked	-MDS
Approved	 LARRY D. STONE 42252 PROFESSIONAL ENGINEER STATE OF TEXAS
Architect	 Larry D. Stone 42252 PROFESSIONAL ENGINEER STATE OF TEXAS
Key:	

CONSTRUCTION DOCUMENTS

Title: **SANITARY SEWER DETAILS**

Drawing No. **C4.05**

Issue Date: **OCTOBER 25, 2017**

© COPYRIGHT REES ASSOCIATES, INC. 2017