

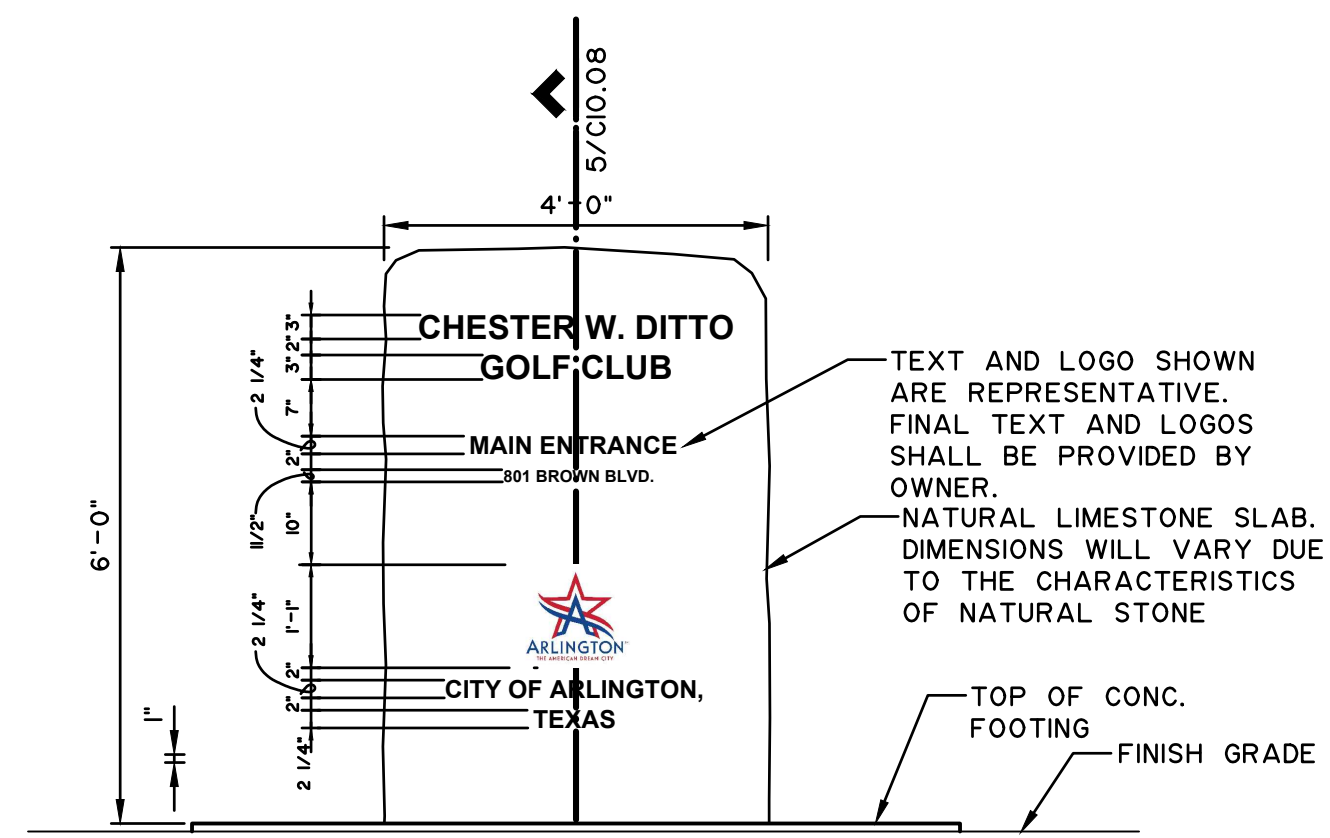
**Civil Engineer**  
SCHROEDL, ROLLINS  
AND ASSOCIATES, INC.  
1161 CORPORATE DRIVE WEST  
SUITE 200  
ARLINGTON, TEXAS 76006  
P: 817.649.3216

**Mechanical, Electrical,  
Plumbing Engineer**  
MEP SYSTEMS  
918 DRAGON STREET  
DALLAS, TEXAS 75207  
P: 214.915.0929

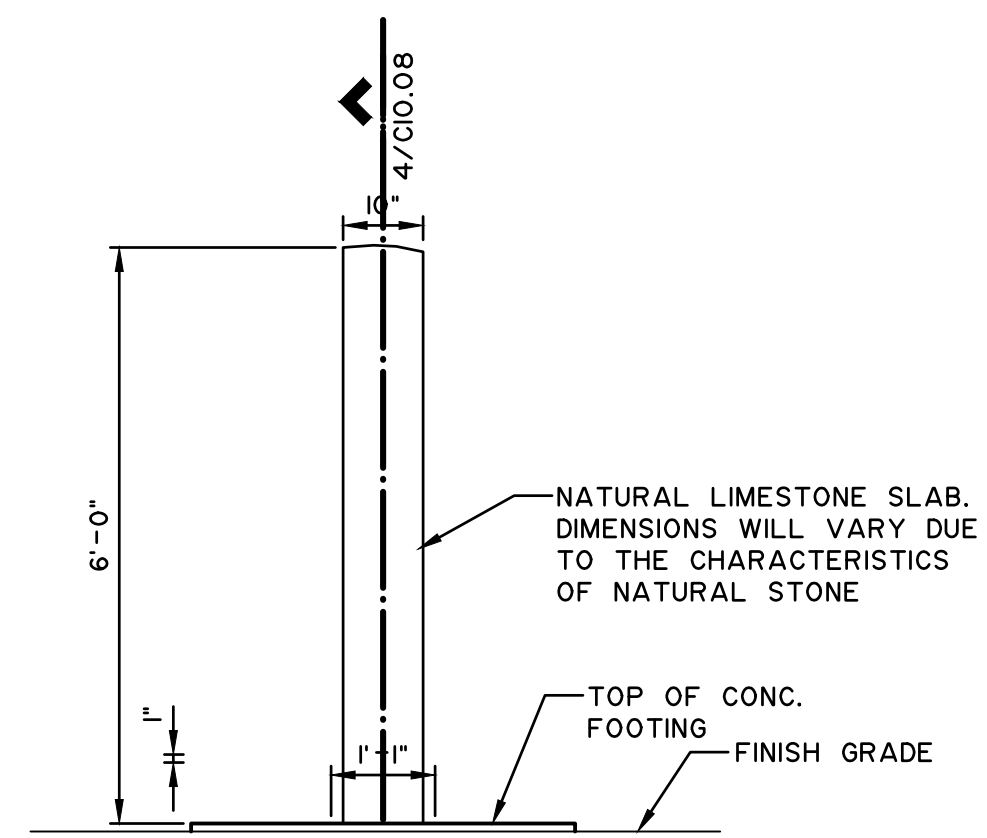
**Structural Engineer**  
RONALD A. ROBERTS ASSOCIATES, INC.  
2948 N. STEMMONS FREEWAY  
DALLAS, TEXAS 75247  
P: 214.537.9299

**Kitchen Consultant**  
PROFITABLE FOOD FACILITIES  
14026 Donert Drive  
POWAY, CALIFORNIA 92064  
P: 858.748.7333

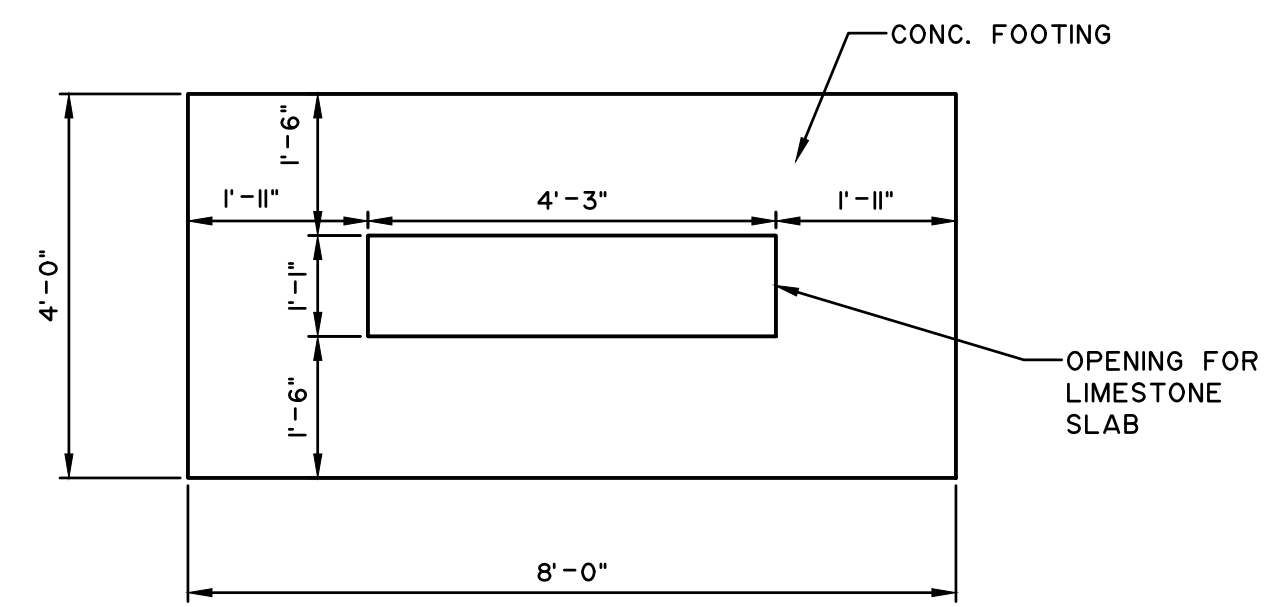
**A/V Consultant**  
ACHIEVE AV, INC.  
730 Ward Dr.  
CEDAR HILL, TEXAS 75104  
P: 214.884.9581



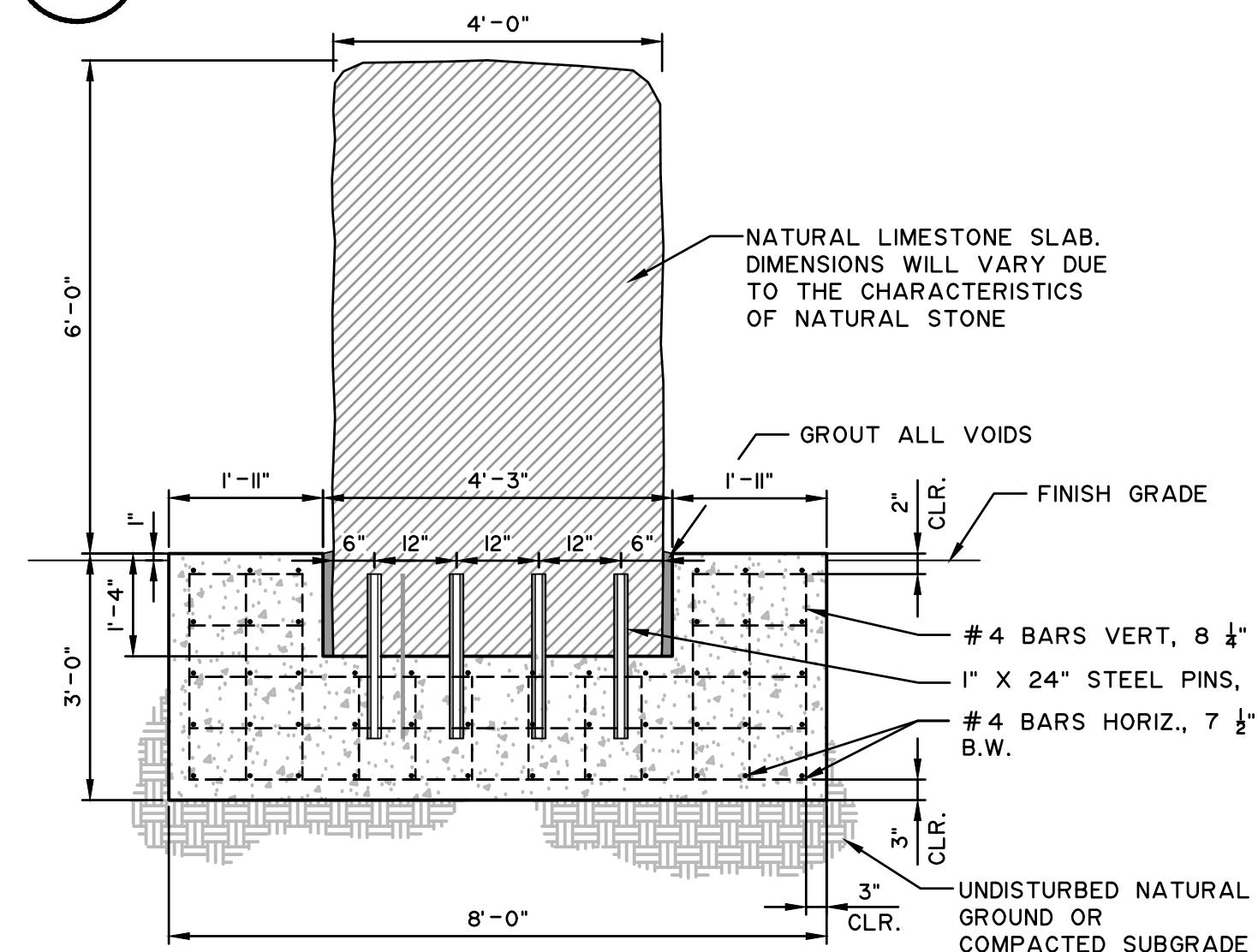
**1 FRONT ELEVATION - MAIN ENTRANCE**  
SCALE: 1/2" = 1'-0"



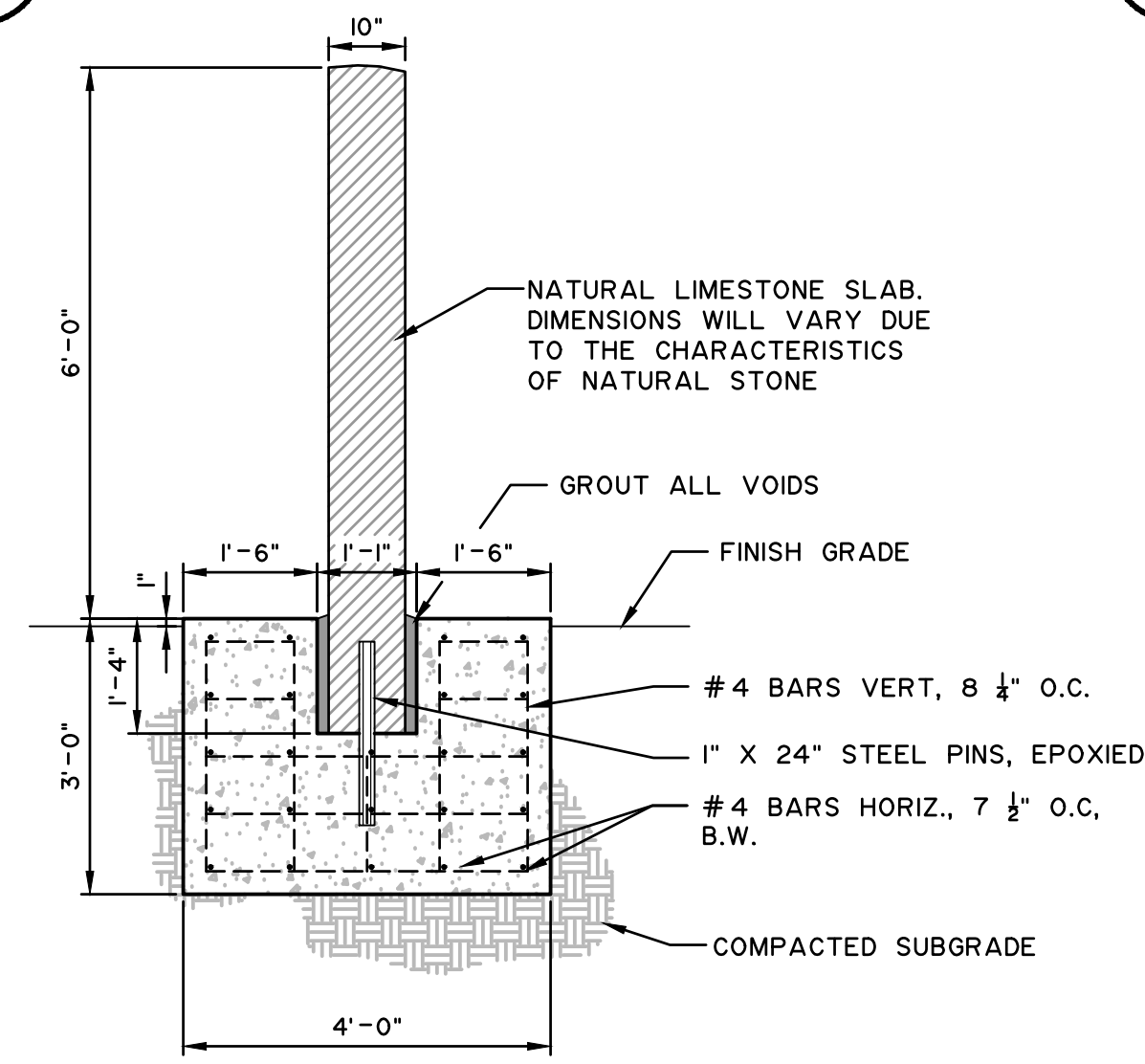
**2 SIDE ELEVATION**  
SCALE: 1/2" = 1'-0"



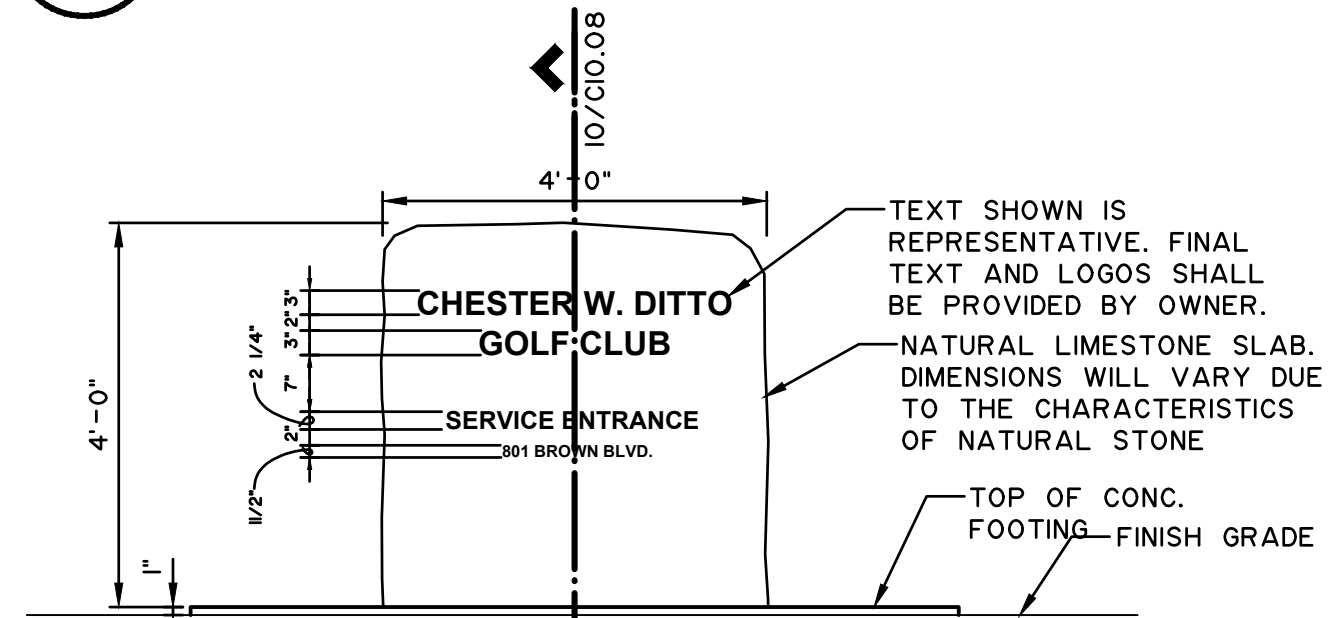
**3 PLAN - MAIN ENTRANCE**  
SCALE: 1/2" = 1'-0"



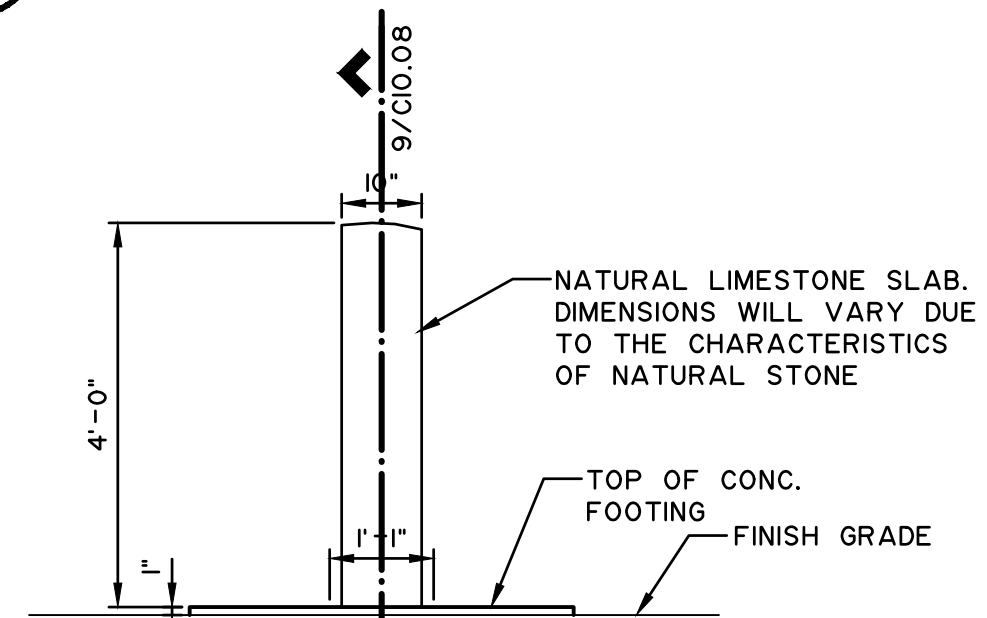
**4 SECTION**  
SCALE: 1/2" = 1'-0"



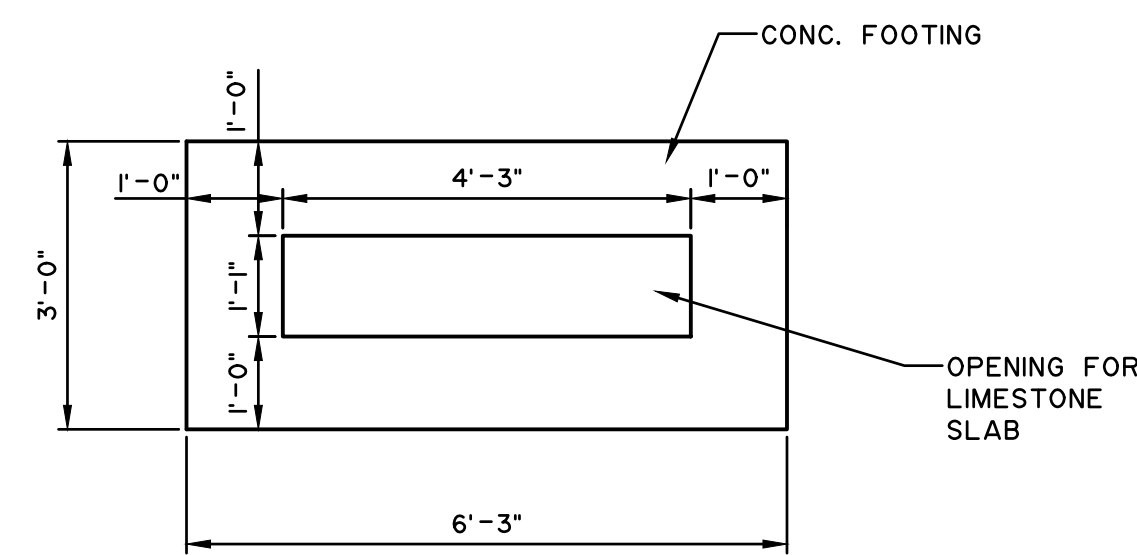
**5 SECTION**  
SCALE: 1/2" = 1'-0"



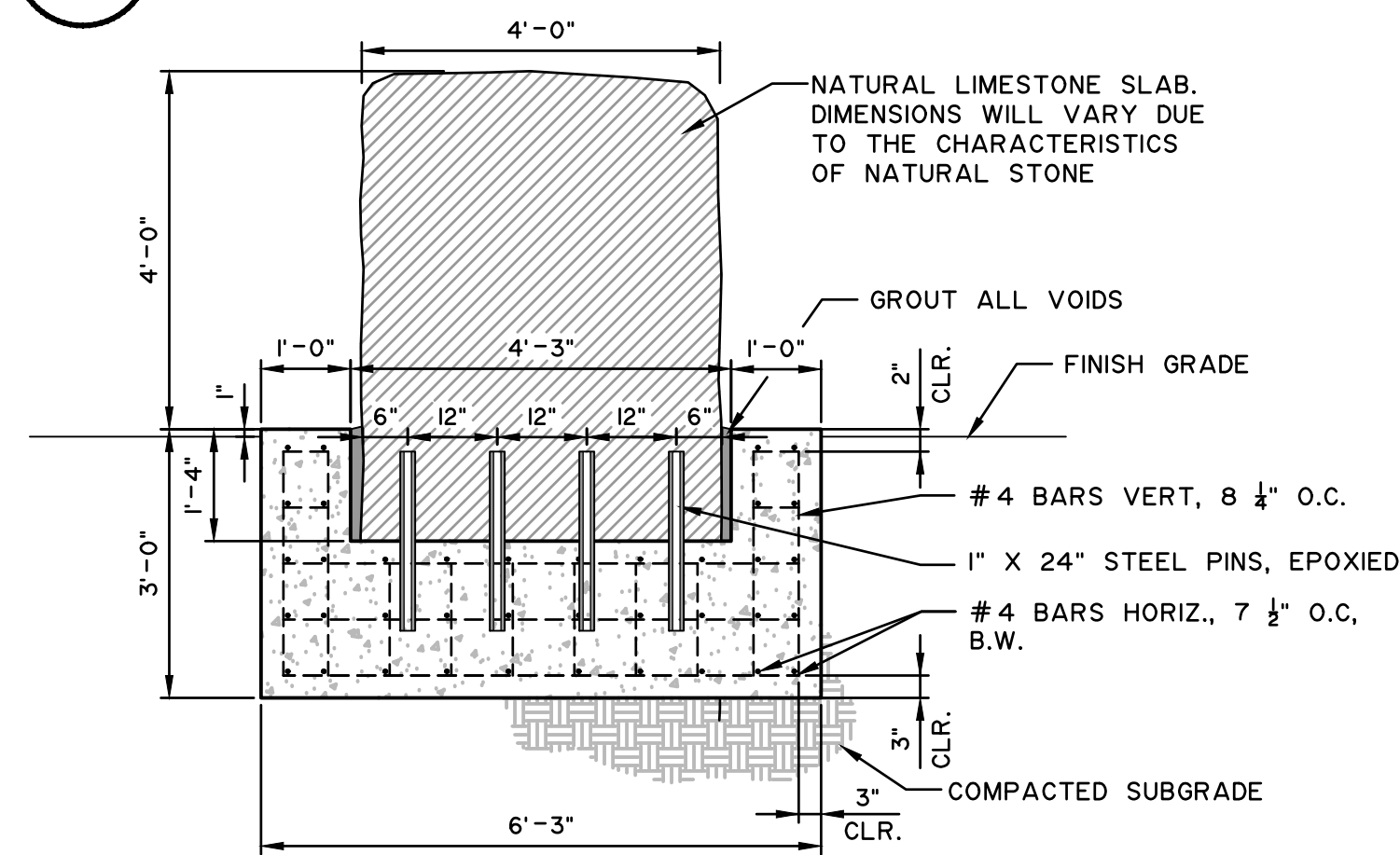
**6 FRONT ELEVATION - SERV. ENTRANCE**  
SCALE: 1/2" = 1'-0"



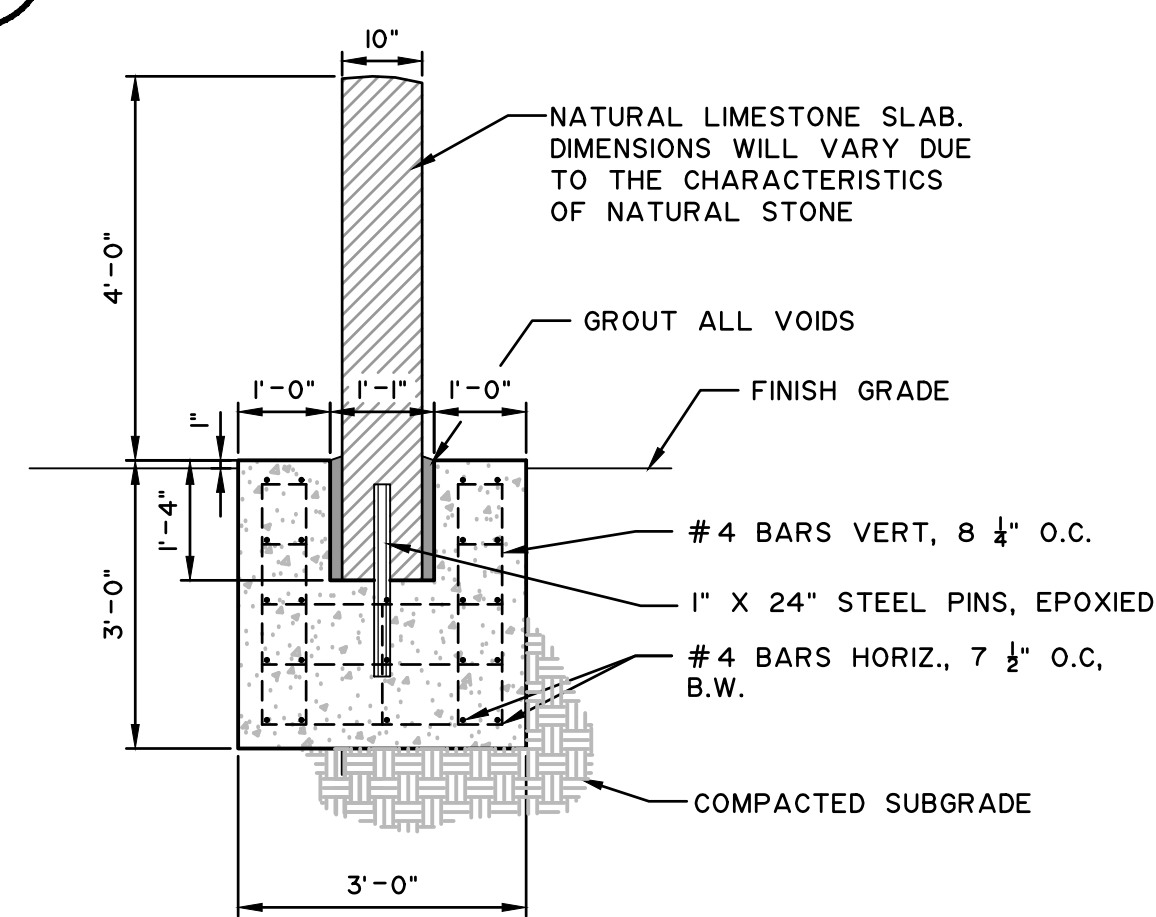
**7 SIDE ELEVATION**  
SCALE: 1/2" = 1'-0"



**8 PLAN - SERV. ENTRANCE**  
SCALE: 1/2" = 1'-0"



**9 SECTION**  
SCALE: 1/2" = 1'-0"



**10 SECTION**  
SCALE: 1/2" = 1'-0"



No.	Date
Revisions	
Project No.	21538.00
Drawn	-CH
	-XT
	-MW
	-HP
Checked	-MDS
	-
	-
Approved	-
	-
Key:	



**CONSTRUCTION DOCUMENTS**

Title:  
**SITE DETAILS**

Drawing No.  
**C10.08**

Issue Date  
OCTOBER 25, 2017