

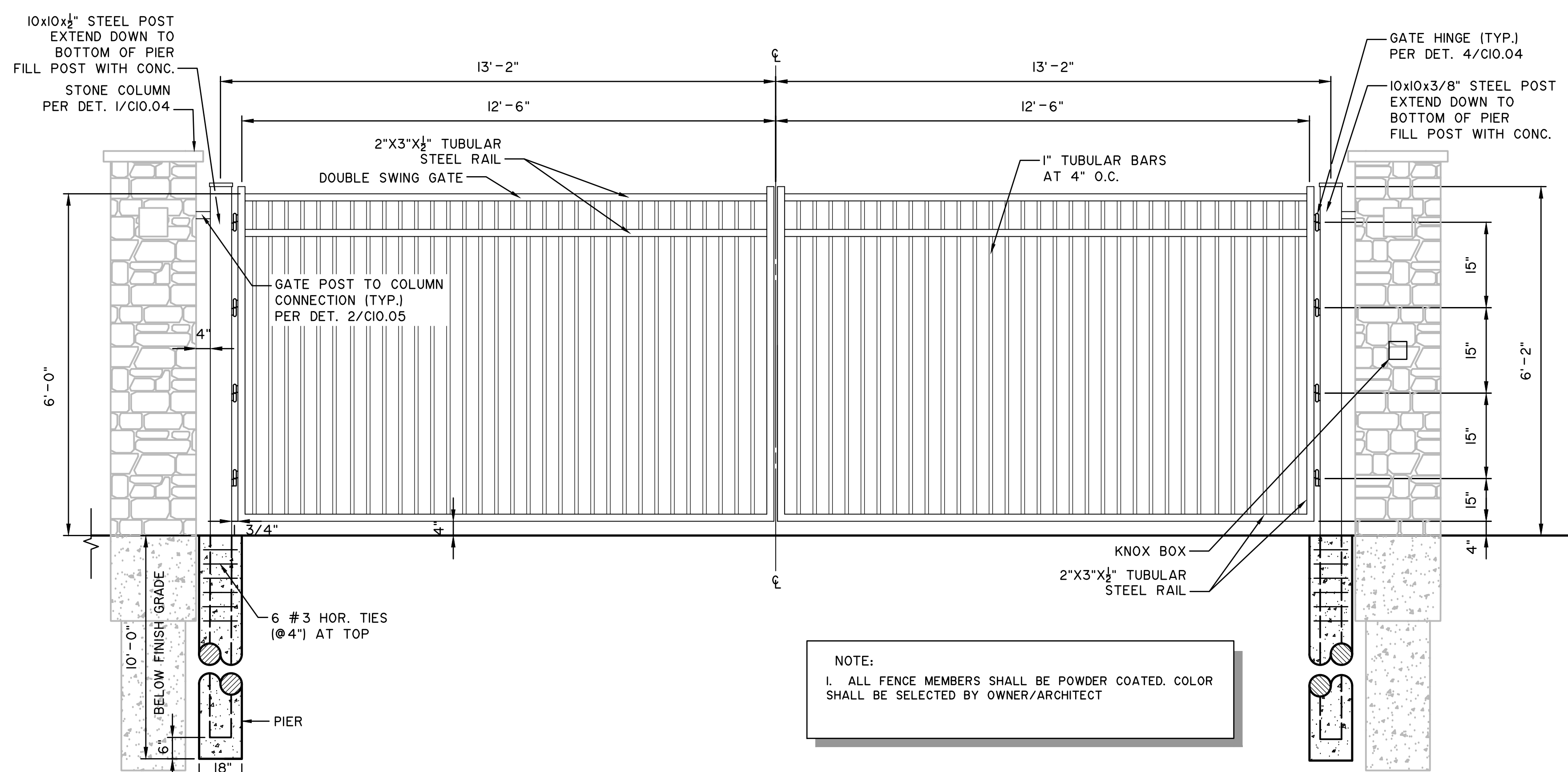
Civil Engineer
SCHRICKEL, ROLLINS
AND ASSOCIATES, INC.
1161 CORPORATE DRIVE WEST
SUITE 200
ARLINGTON, TEXAS 76006
P: 817.649.3216

**Mechanical, Electrical,
Plumbing Engineer**
MEP SYSTEMS
918 DRAGON STREET
DALLAS, TEXAS 75207
P: 214.915.0929

Structural Engineer
RONALD A. ROBERTS ASSOCIATES, INC.
2348 N. STEMMONS FREEWAY
DALLAS, TEXAS 75207
P: 214.637.6299

Kitchen Consultant
PROFITABLE FOOD FACILITIES
14028 DORSET DRIVE
POWAY, CALIFORNIA 92064
P: 858.748.7333

A/V Consultant
ACHIEVE AV, INC.
730 WARD ST.
CEDAR HILL, TEXAS 75104
P: 214.864.5951



GATE CONTROLLER NOTES:

- PROVIDE AND INSTALL GATE CONTROLLER-LIFT MASTER, 1/2 HP AC COMMERCIAL SWING GATE OPERATOR MODEL #CSW20050U, POWER SHALL BE 110 VOLT SINGLE PHASE.
- PROVIDE CONCRETE PADS FOR THE GATE CONTROLLERS AND ACCESSORY TRANSFORMER (IF REQUIRED).
- PROVIDE AND INSTALL INSIDE EXIT AND OUTSIDE SAFETY LOOP WIRING. LOOP DETECTORS SHALL BE INSTALLED IN THE GATE OPERATOR.
- PROVIDE AND INSTALL A STROBE SWITCH FOR EMERGENCY VEHICLE INGRESS PER CITY STANDARDS.
- PROVIDE A MEANS TO MANUALLY OPEN THE GATE DURING A POWER OUTAGE.
- EXISTING/PROPOSED IRRIGATION LINES AND ELECTRICAL CONDUIT, UTILITY LINES, ETC., MUST CLEAR POSTS, TRACK BEAM, AND COLUMNS.
- PROVIDE TWO GATE OPERATORS AT EACH ENTRANCE.
- PROVIDE FOR OWNER'S APPROVAL, GATE OPERATOR LAYOUT INCLUDING LOCATIONS OF LOOP DETECTORS, OPERATORS, CONTROLLERS, ETC.

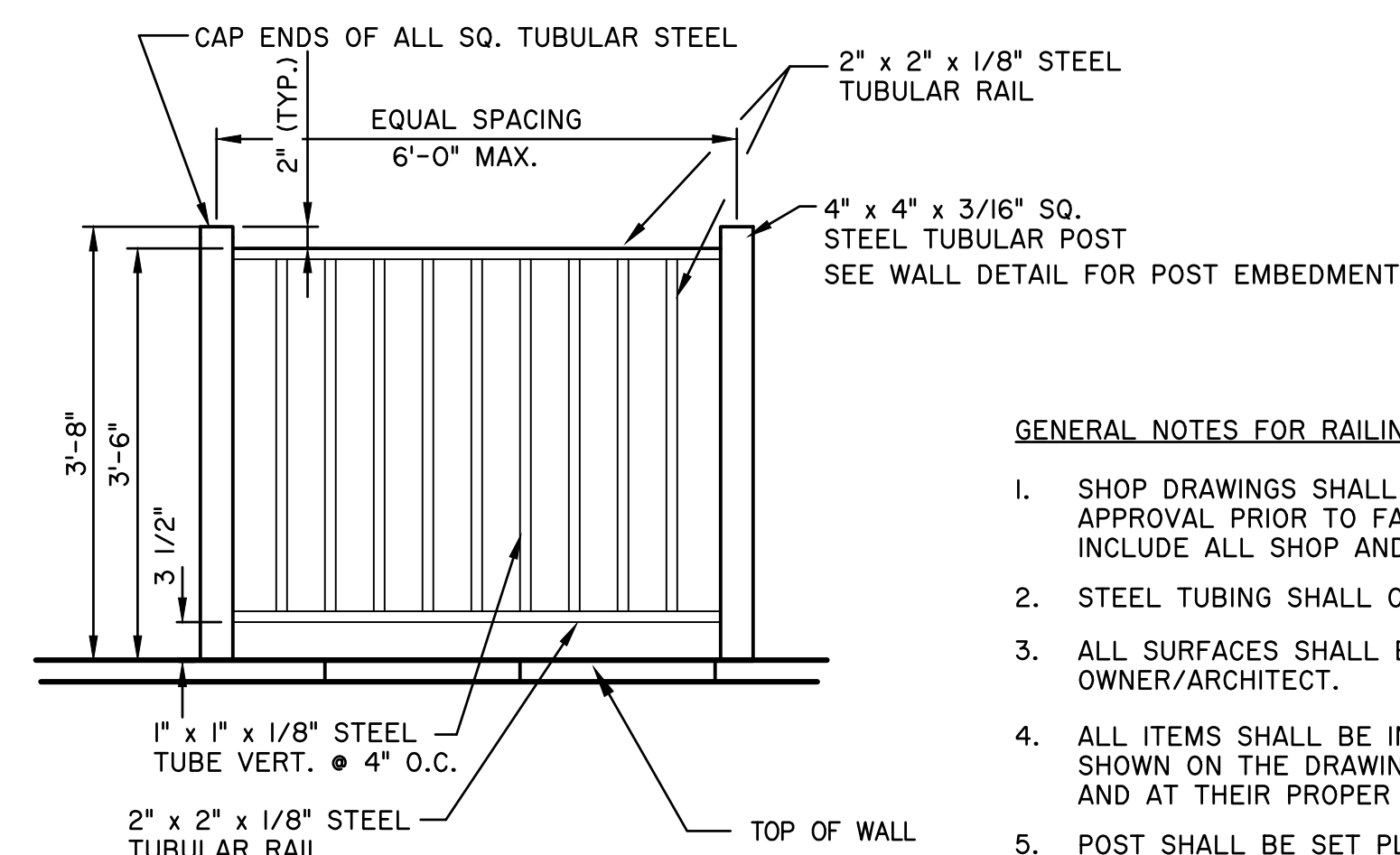
SKYLOGIX NOTES:

- SKYLOGIX EQUIPMENT SHALL BE PROVIDED AND INSTALLED BY THE CONTRACTOR. EQUIPMENT SHALL INCLUDE:
-AIO-RCU-2XDE-A
-KEY PAD WITH SHROUD
-ANTENNA
-MISC. COMPONENTS NECESSARY FOR A COMPLETE AND FUNCTIONING SYSTEM
- PROVIDE CONCRETE PADS, POSTS & CONC. FOOTINGS, MOUNTING HARDWARE, ETC. AS NECESSARY TO INSTALL THE SKYLOGIX EQUIPMENT PER THE MANUFACTURER'S RECOMMENDATIONS.
- INSTALLATION OF THE SKYLOGIX EQUIPMENT INCLUDES MOUNTING AND WIRING THE SKYLOGIX SYSTEM TO THE LIGHTING CONTACTORS, GATE CONTROLLER, ETC.
- INITIAL START UP SHALL BE DONE REMOTELY, VIA PHONE WITH SKYLOGIX TECH SUPPORT AND PROGRAMMING OF THE ARC-10 SYSTEM SHALL BE BY SKYLOGIX TECH SUPPORT ACCORDING TO CITY STAFF RECOMMENDATIONS.
- SKYLOGIX CONTACT: 800-650-1913

1 25' ORNAMENTAL ENTRY GATE (TYP.)

SCALE: 1/2" = 1'-0"

ORNAMENTAL ENTRY_GATE.dwg



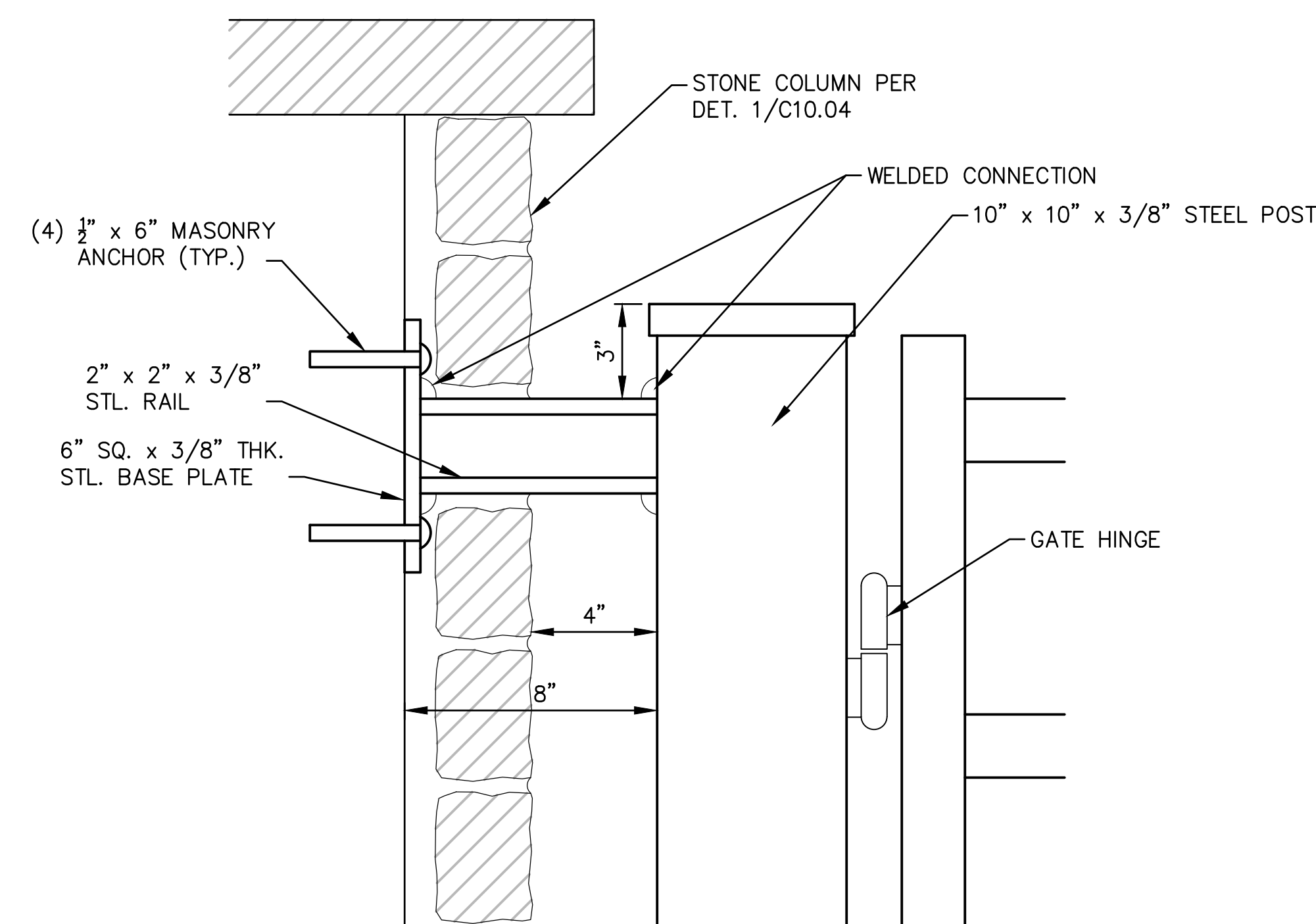
GENERAL NOTES FOR RAILINGS

1. SHOP DRAWINGS SHALL BE SUBMITTED TO ARCHITECT/ENGINEER FOR APPROVAL PRIOR TO FABRICATION OF ALL ITEMS. DRAWINGS SHALL INCLUDE ALL SHOP AND ERECTION DETAILS.
2. STEEL TUBING SHALL CONFORM TO ASTM A500 GRADE "B".
3. ALL SURFACES SHALL BE POWDER COATED. COLOR SHALL BE SELECTED BY OWNER/ARCHITECT.
4. ALL ITEMS SHALL BE INSTALLED AND SET IN THEIR CORRECT LOCATIONS AS SHOWN ON THE DRAWINGS. THEY SHALL BE SET LEVEL, PLUMB, SQUARE, AND AT THEIR PROPER ELEVATIONS.
5. POST SHALL BE SET PLUMB. RAILS SHALL FOLLOW THE SLOPE. CONTRACTOR SHALL VERIFY CONDITIONS PRIOR TO FABRICATION.

4 ORNAMENTAL GUARDRAIL

SCALE: 3/4" = 1'-0"

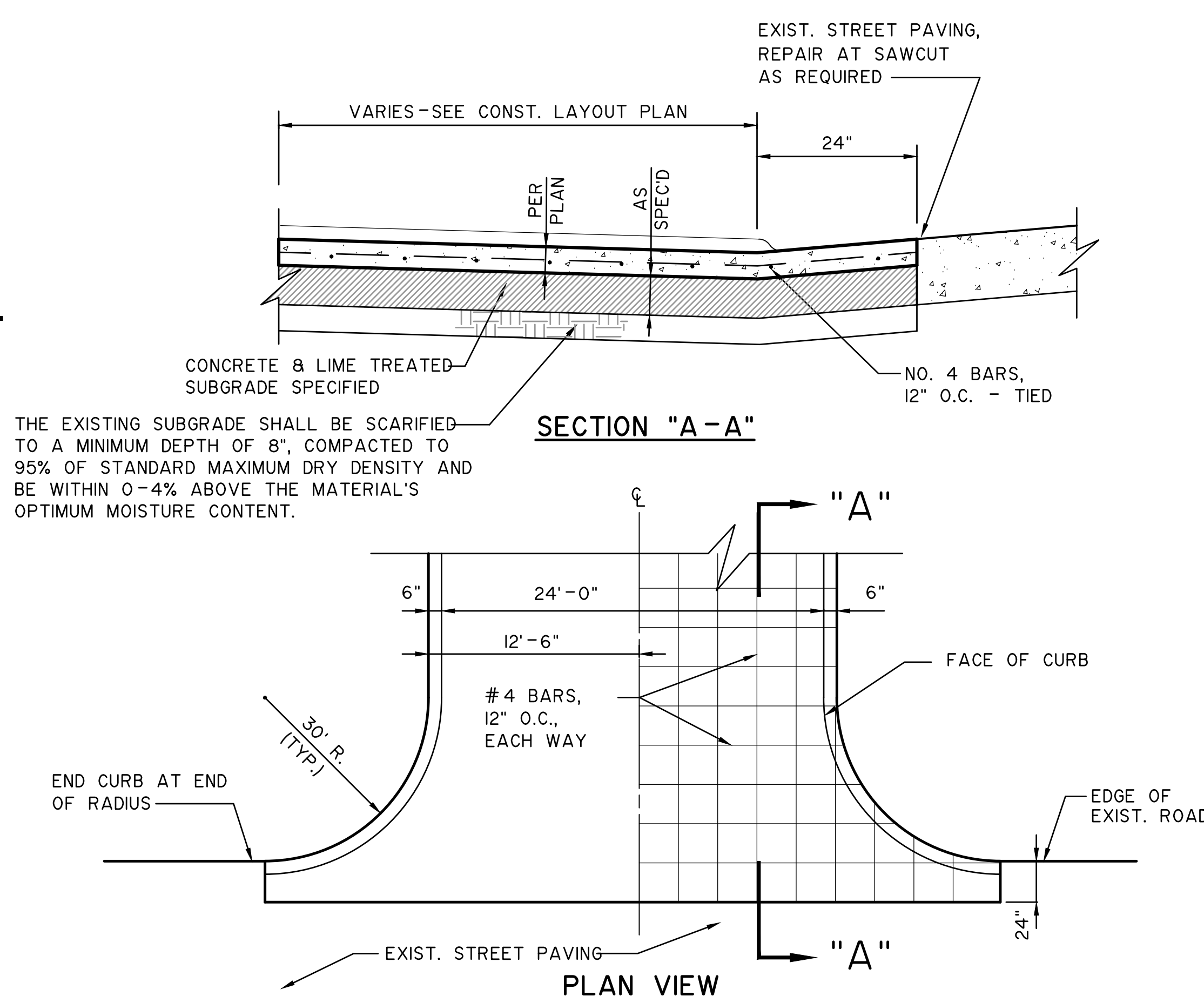
guardrail.dwg



2 GATE POST TO COLUMN CONNECTION

SCALE: 3" = 1'-0"

GATE POST TO COLUMN CONNECTION.dwg



3 CONCRETE DRIVE APPROACH

SCALE: 1/4" = 1'-0"

CONCRETE DRIVE APPROACH.dwg



**CHESTER W. DITTO GOLF COURSE
CLUBHOUSE**
CITY OF ARLINGTON
801 BROWN BLVD - ARLINGTON, TX 76011

No. | Date

Revisions

Project No. 21538.00

Drawn: CH, XT, JW, HP

Checked: MDS

Approved: [Signature]

Key:

10-25-2017

Landscaped Architect

CONSTRUCTION DOCUMENTS

Title:

SITE DETAILS

Drawing No.

C10.05

Issue Date

OCTOBER 25, 2017

© COPYRIGHT REES ASSOCIATES, INC. 2017

SRA PROJECT #5311