

Civil Engineer
SCHRICKEL, ROLLINS
AND ASSOCIATES, INC.
1161 CORPORATE DRIVE WEST
SUITE 200
ARLINGTON, TEXAS 76006
P: 817.649.3216

**Mechanical, Electrical,
Plumbing Engineer**
MEP SYSTEMS
918 DRAGON STREET
DALLAS, TEXAS 75207
P: 214.915.0929

Structural Engineer
RONALD A. ROBERTS ASSOCIATES, INC.
2348 N. STEMMONS FREEWAY
DALLAS, TEXAS 75207
P: 214.637.6299

Kitchen Consultant
PROFITABLE FOOD FACILITIES
14028 DONNET DRIVE
POWAY, CALIFORNIA 92064
P: 858.748.7333

A/V Consultant
ACHIEVE AV, INC.
730 WIND DR.
CEDAR HILL, TEXAS 75104
P: 214.884.9951


ARLINGTON
THE AMERICAN DREAM CITY
**CHESTER W. DITTO GOLF COURSE
CLUBHOUSE**
CITY OF ARLINGTON
801 BROWN BLVD - ARLINGTON, TX 76011

No. | Date

Revisions

Project No.
21538.00

Drawn
-CH
-XT
-LW
-HP

Checked
-MDS

Approved

Key:

10-25-2017
Landscape Architect

10-25-2017

Approved

Checked

Drawn

Project No.

Revisions

No. | Date

Key:

Approved

Checked

Drawn

Project No.

Revisions

No. | Date

Key:

Approved

Checked

Drawn

Project No.

Revisions

No. | Date

Key:

Approved

Checked

Drawn

Project No.

Revisions

No. | Date

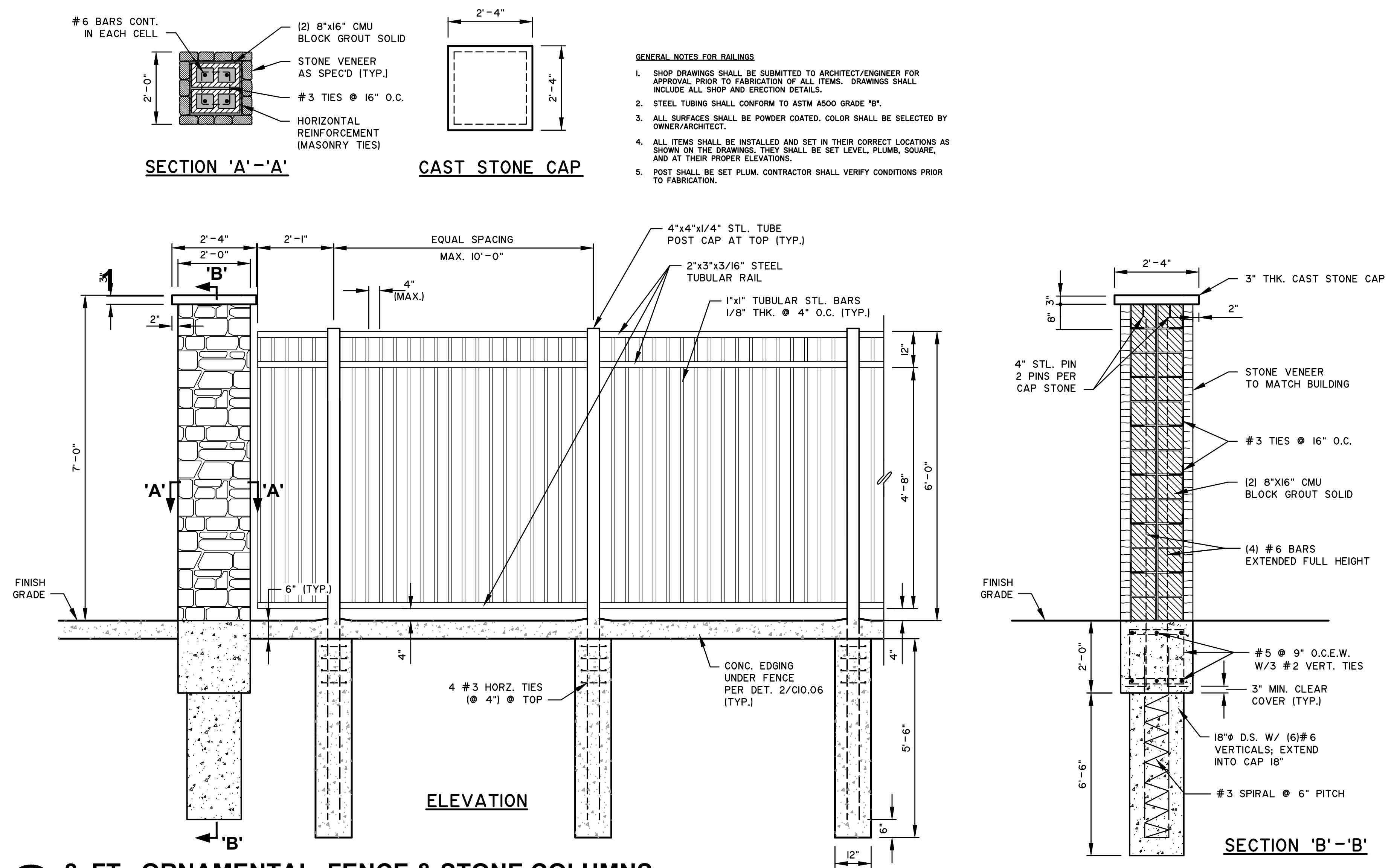
Key:

Approved

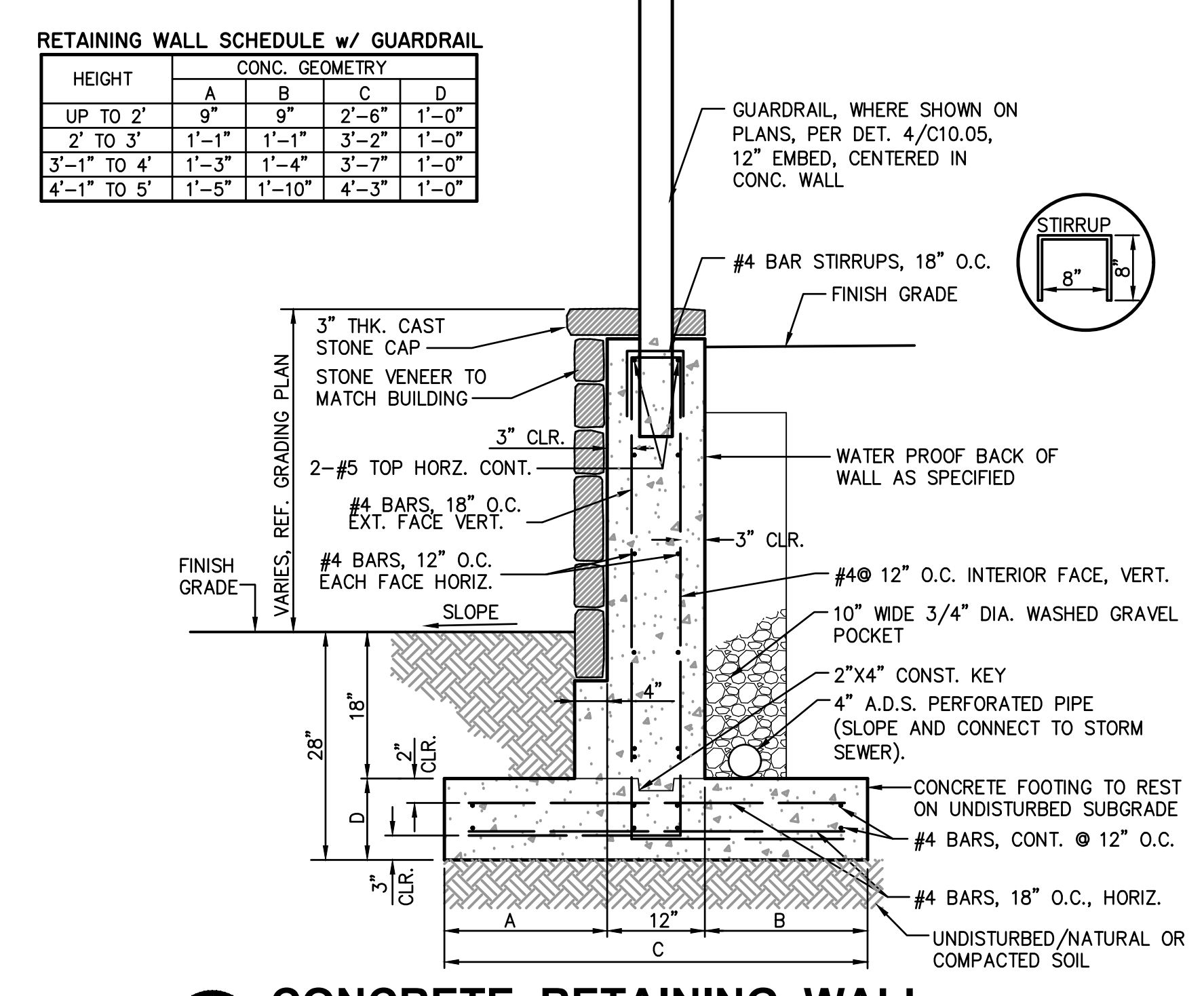
Checked

Drawn

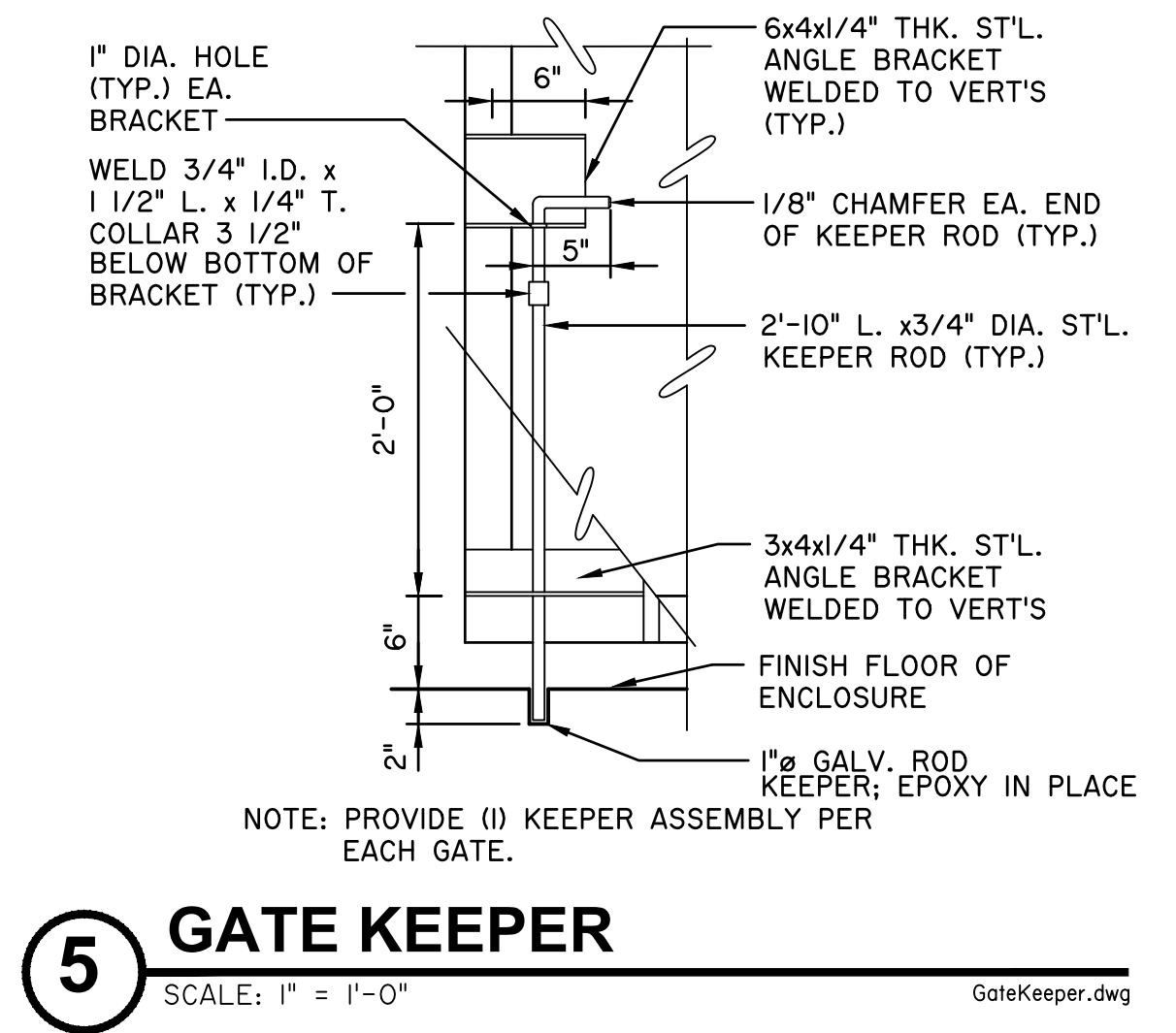
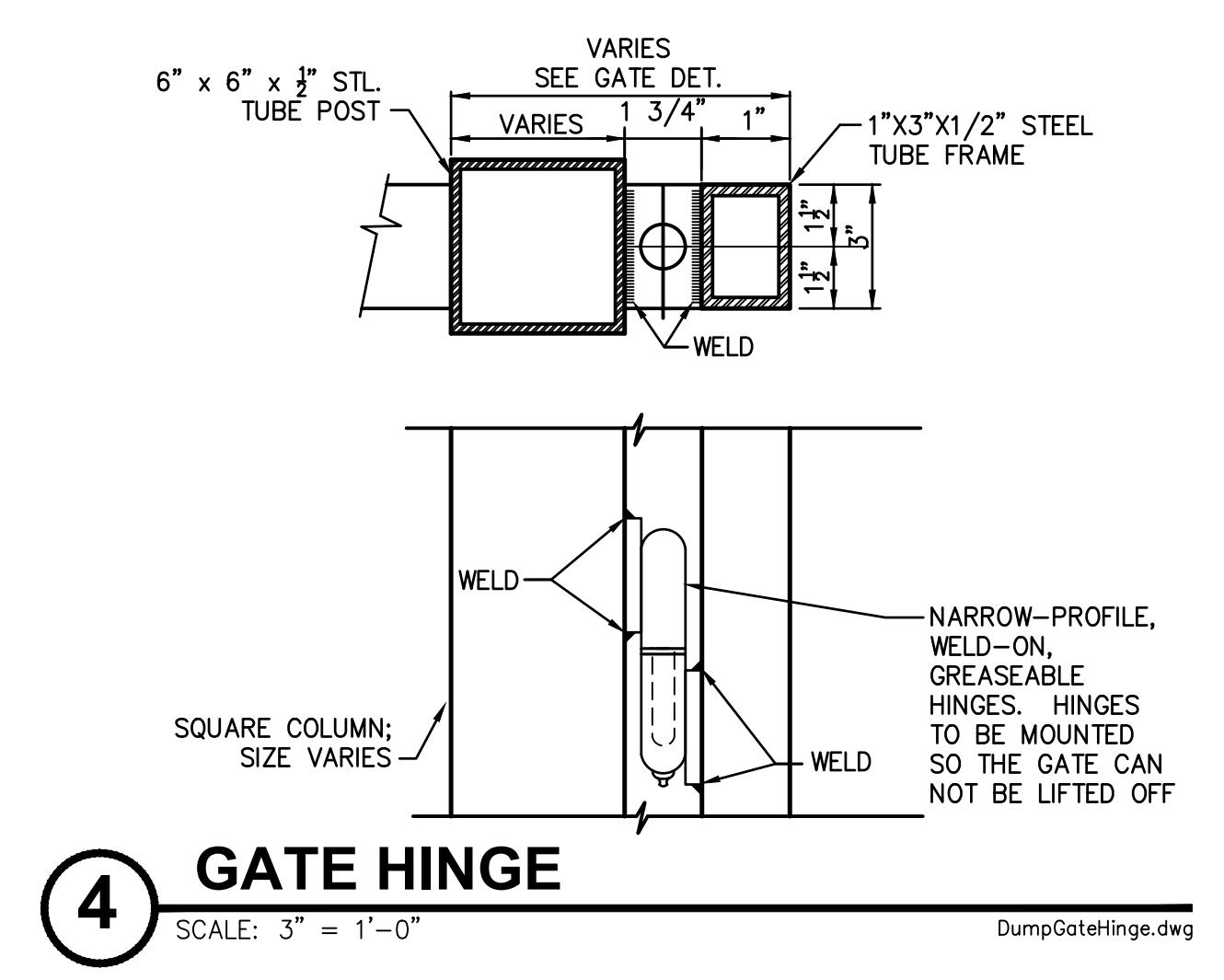
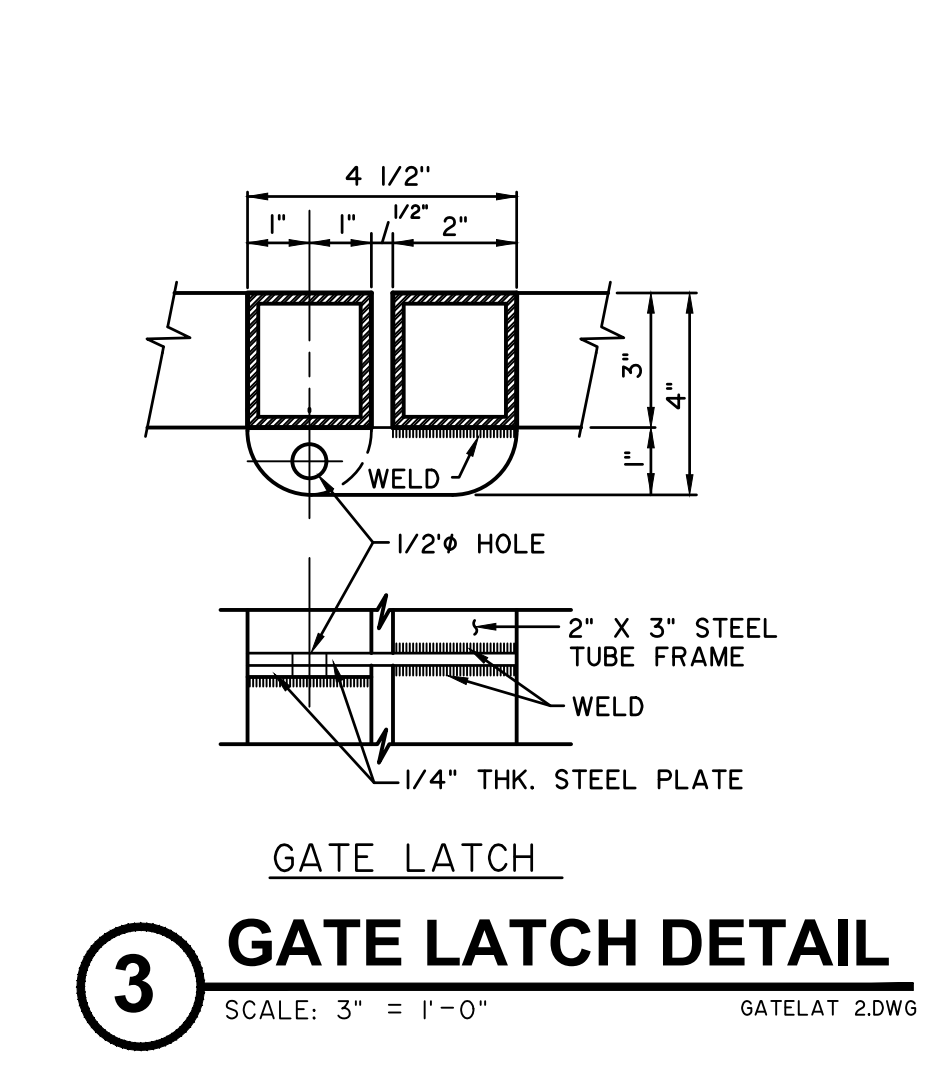
Project No.



1 8 FT. ORNAMENTAL FENCE & STONE COLUMNS
SCALE: NTS
ornamental_fence_2010-01-28.dwg



6 CONCRETE RETAINING WALL
SCALE: 3/4" = 1'-0"
CONCWAL6.DWG



CONSTRUCTION DOCUMENTS

Title:
SITE DETAILS

Drawing No.
C10.04

Issue Date
OCTOBER 25, 2017