

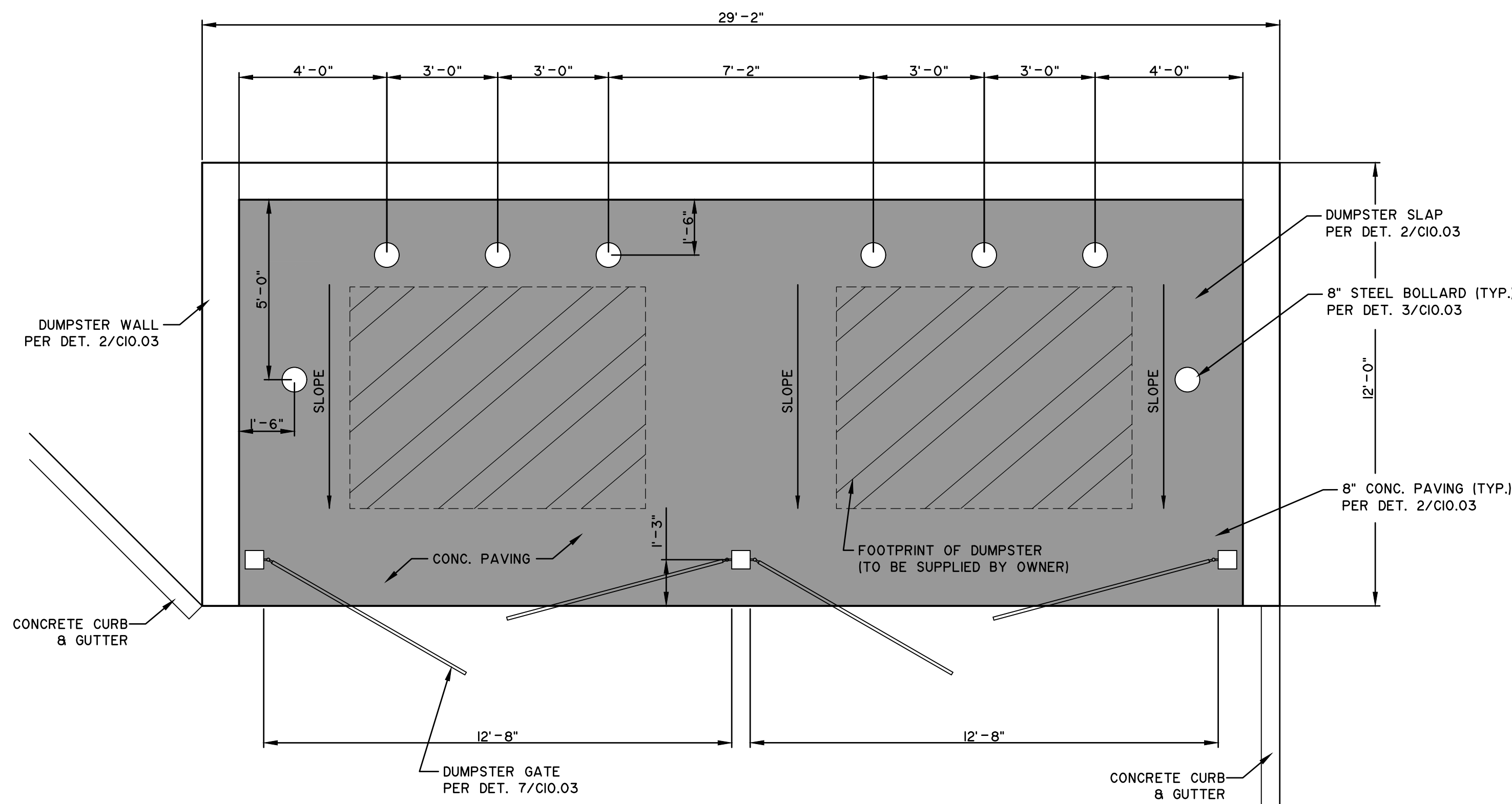
Civil Engineer
SCHRICKEL, ROLLINS
AND ASSOCIATES, INC.
1161 CORPORATE DRIVE WEST
SUITE 200
ARLINGTON, TEXAS 76006
P: 817.649.3216

**Mechanical, Electrical,
Plumbing Engineer**
MEP SYSTEMS
918 DRAGON STREET
DALLAS, TEXAS 75207
P: 214.915.0929

Structural Engineer
RONALD A. ROBERTS ASSOCIATES, INC.
2348 N. STEMMONS FREEWAY
DALLAS, TEXAS 75207
P: 214.637.6299

Kitchen Consultant
PROFITABLE FOOD FACILITIES
14028 Dorset Drive
POWAY, CALIFORNIA 92064
P: 858.748.7333

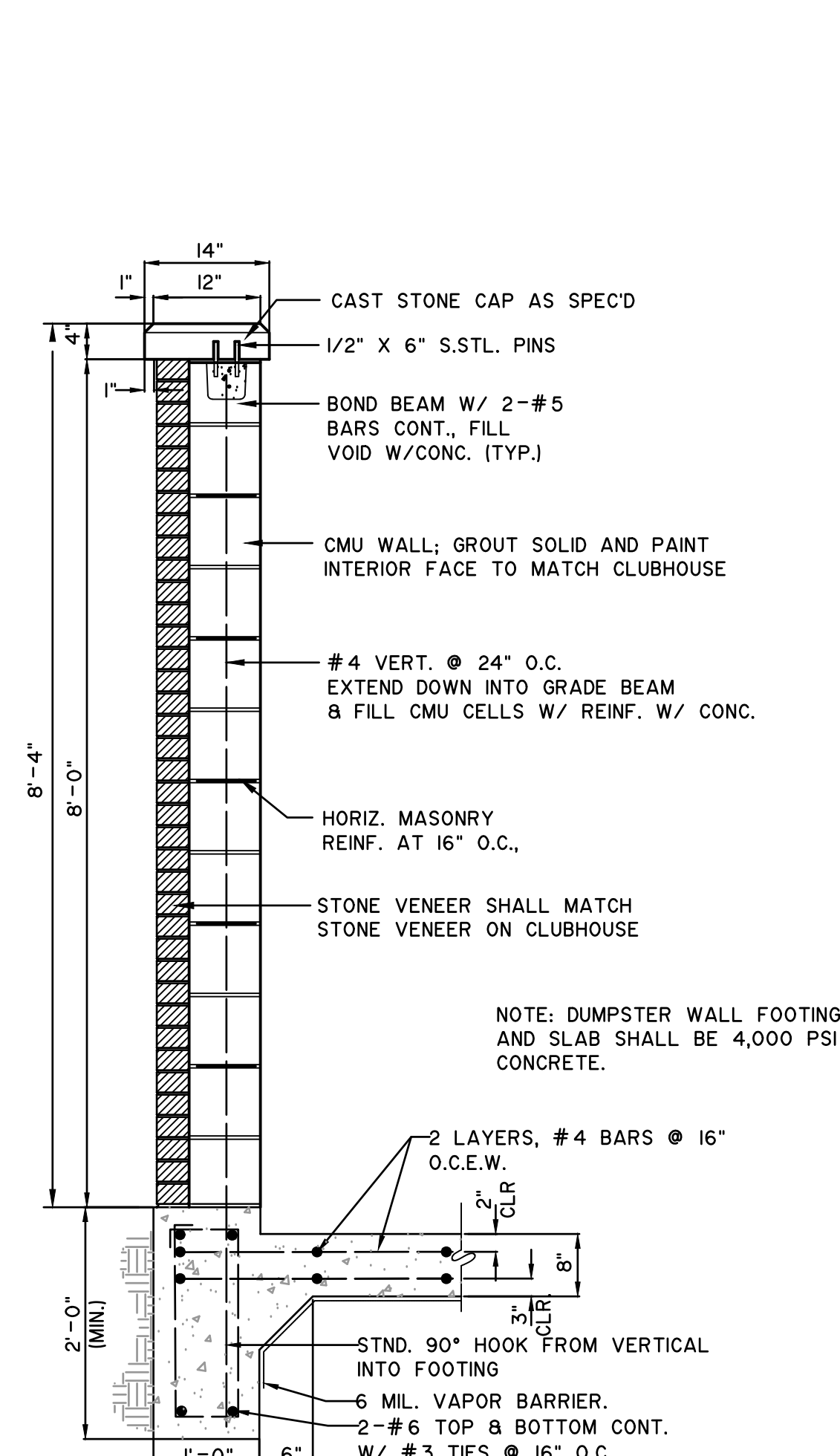
A/V Consultant
ACHIEVE AV, INC.
730 Wood St.
CEDAR HILL, TEXAS 75104
P: 214.864.9551



1 DUMPSTER ENCLOSURE - PLAN VIEW

SCALE: 3/8" = 1'-0"

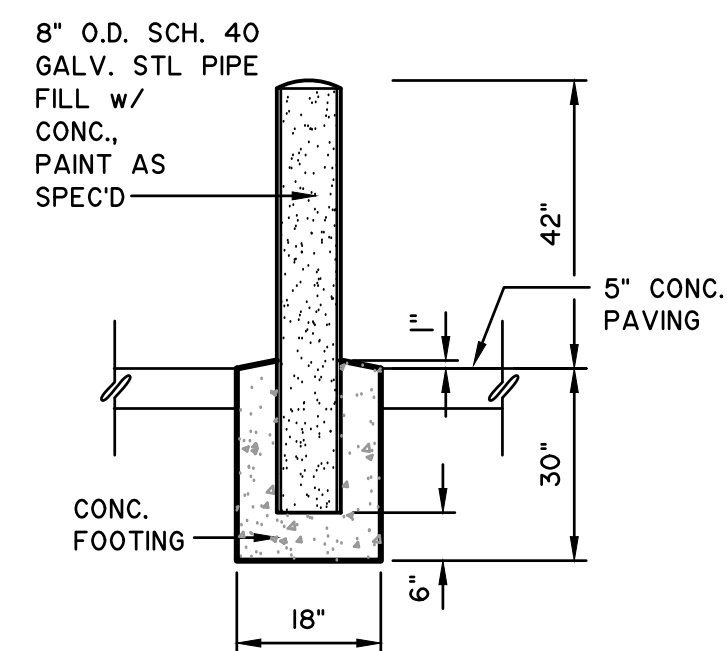
DumpsterEnclosure - PlanView.dwg



2 DUMPSTER WALL SECTION

SCALE: 3/4" = 1'-0"

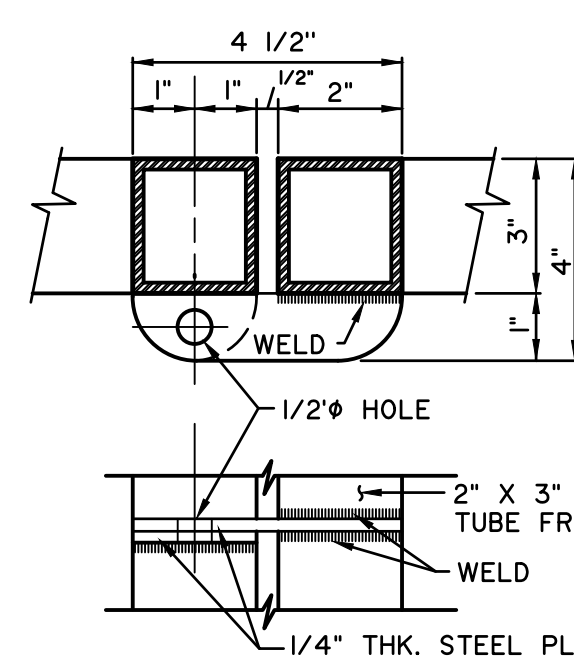
DumpsterWallSection.dwg



3 STEEL BOLLARD

SCALE: 1/2" = 1'-0"

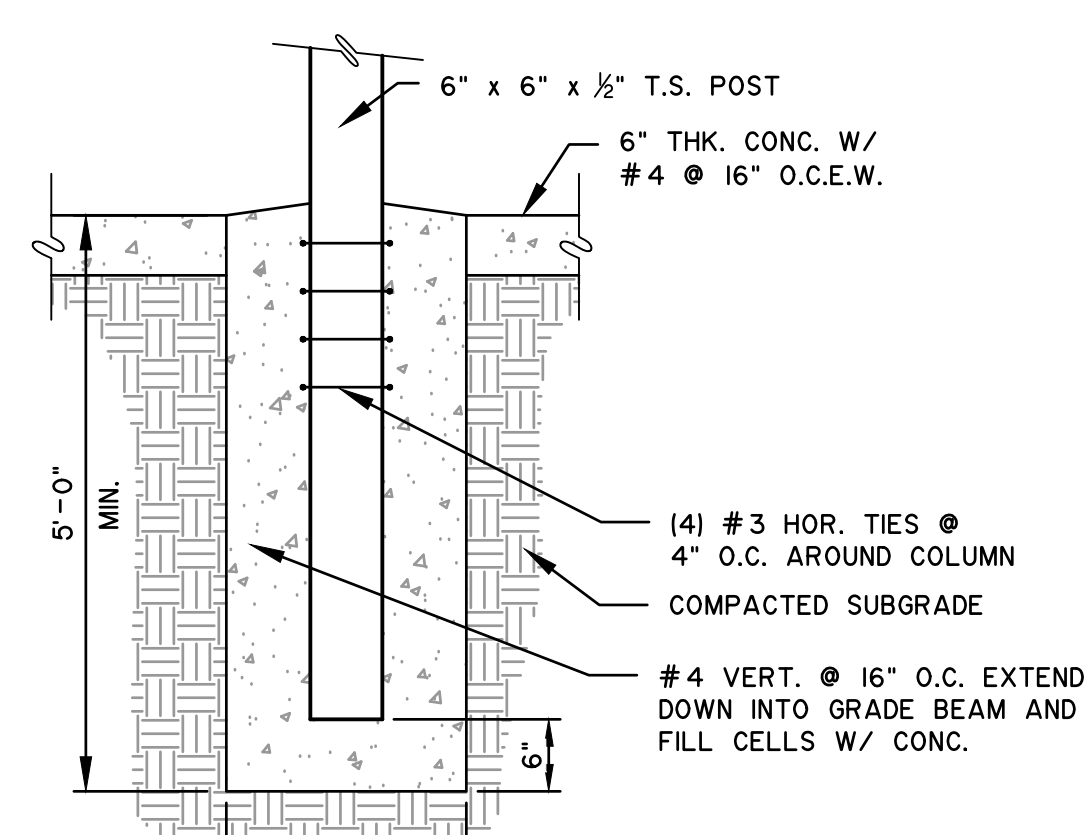
STLBOL.dwg



5 GATE LATCH DETAIL

SCALE: 3" = 1'-0"

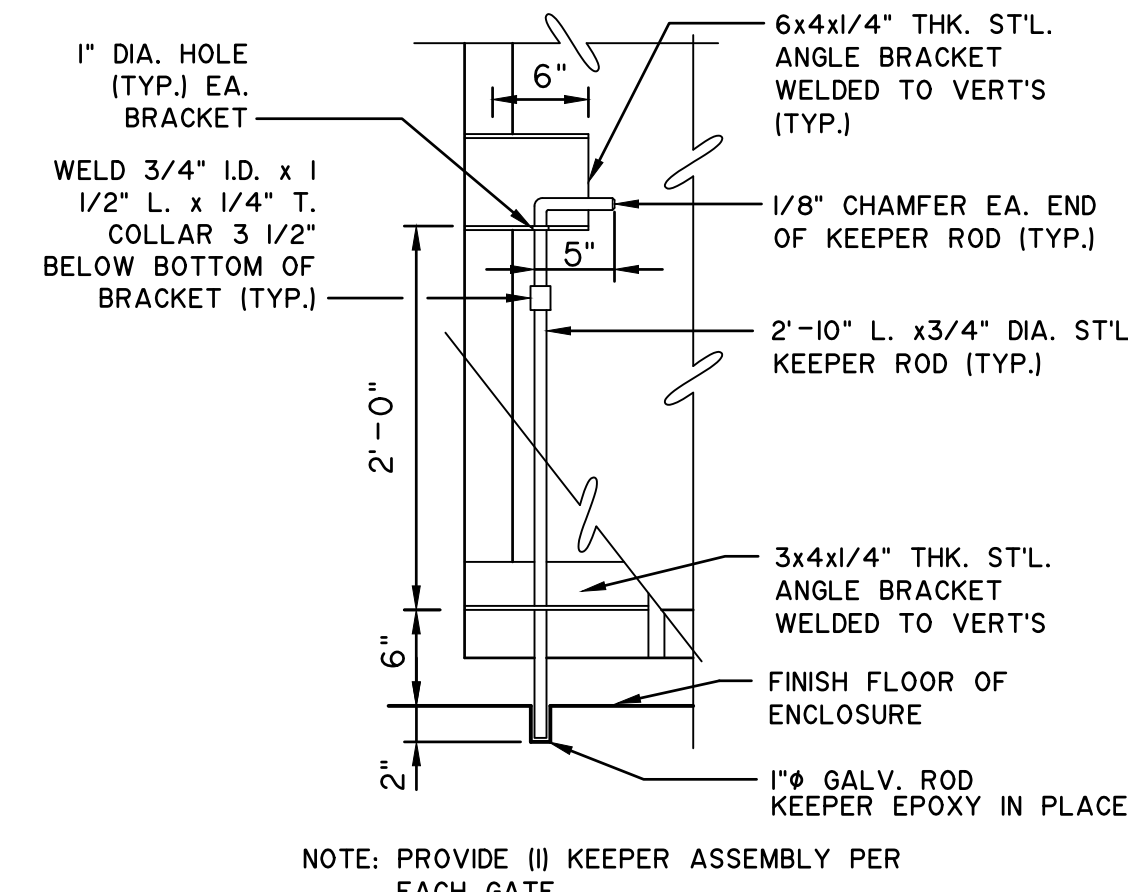
GATELAT.2.DWG



4 DUMPSTER GATE FOOTING

SCALE: 3/4" = 1'-0"

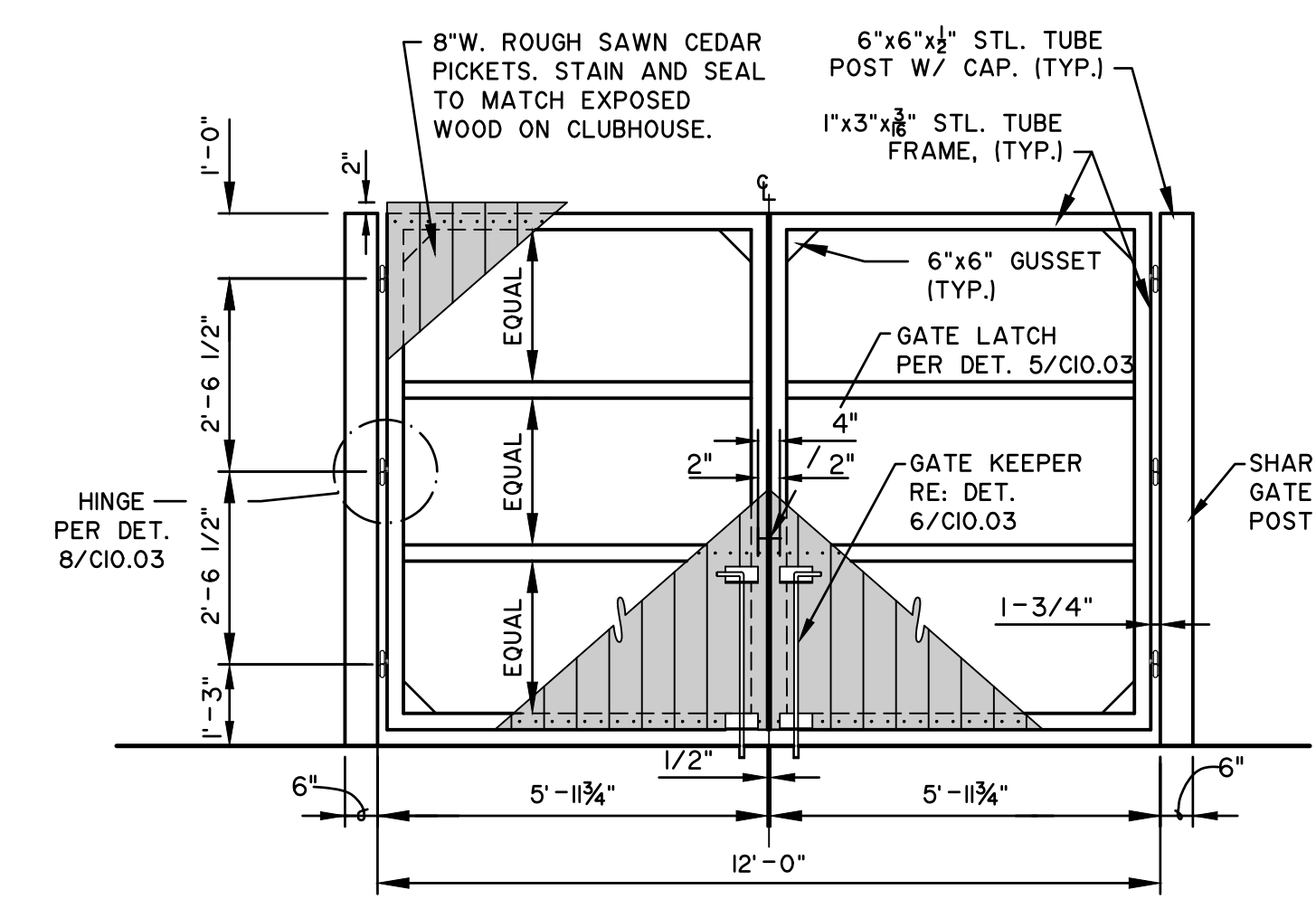
DumpsterGateFooting.dwg



6 GATE KEEPER

SCALE: 1" = 1'-0"

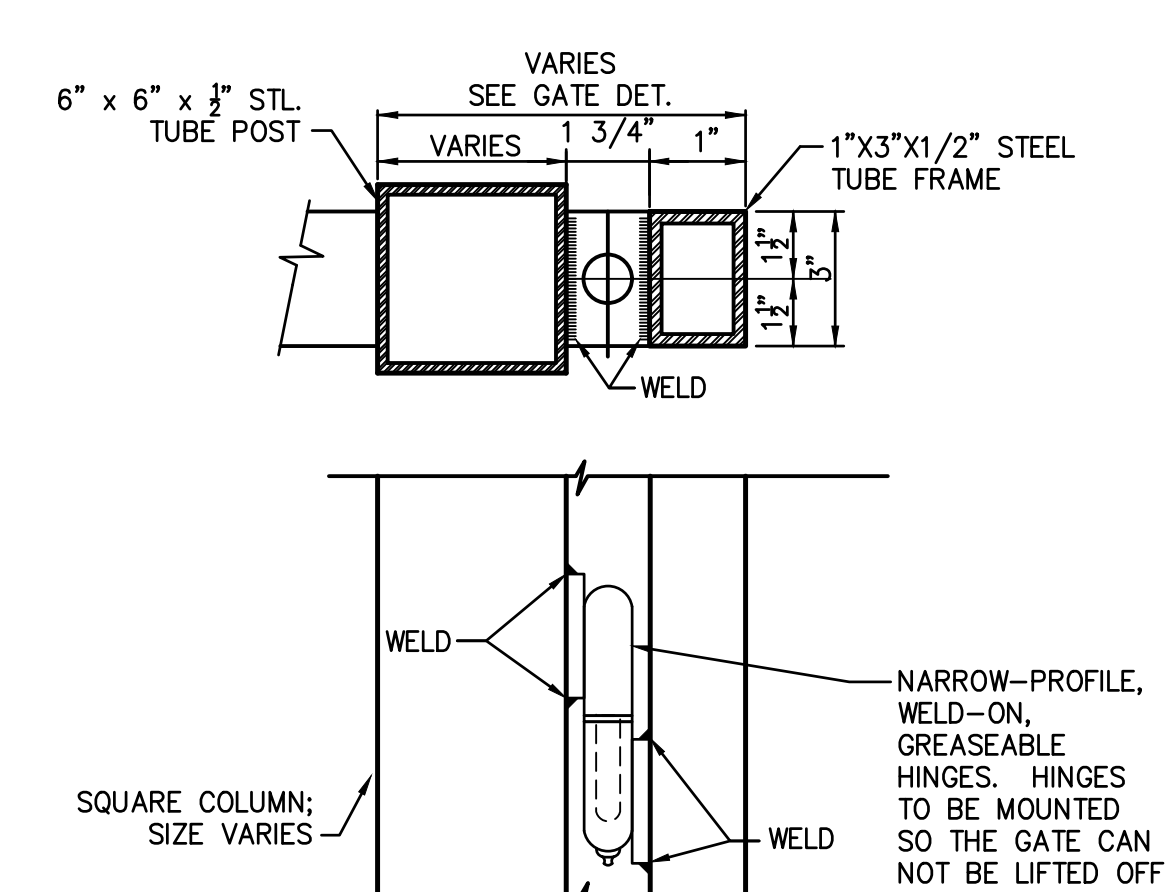
GATEKEEP.dwg



7 DUMPSTER GATES

SCALE: 3/8" = 1'-0"

DUMPSTERGATE.DWG



8 GATE HINGE

SCALE: 3" = 1'-0"

DumpGateHinge.dwg



CHESTER W. DITTO GOLF COURSE CLUBHOUSE
CITY OF ARLINGTON
801 BROWN BLVD - ARLINGTON, TX 76011

No.	Date
Project No. 21538.00	
Drawn -CH	
-XT	
-MW	
-HP	
Checked -MDS	
Approved	

CONSTRUCTION DOCUMENTS

Title: **SITE DETAILS**

Drawing No. **C10.03**

Issue Date: **OCTOBER 25, 2017**

© COPYRIGHT REES ASSOCIATES, INC. 2017