

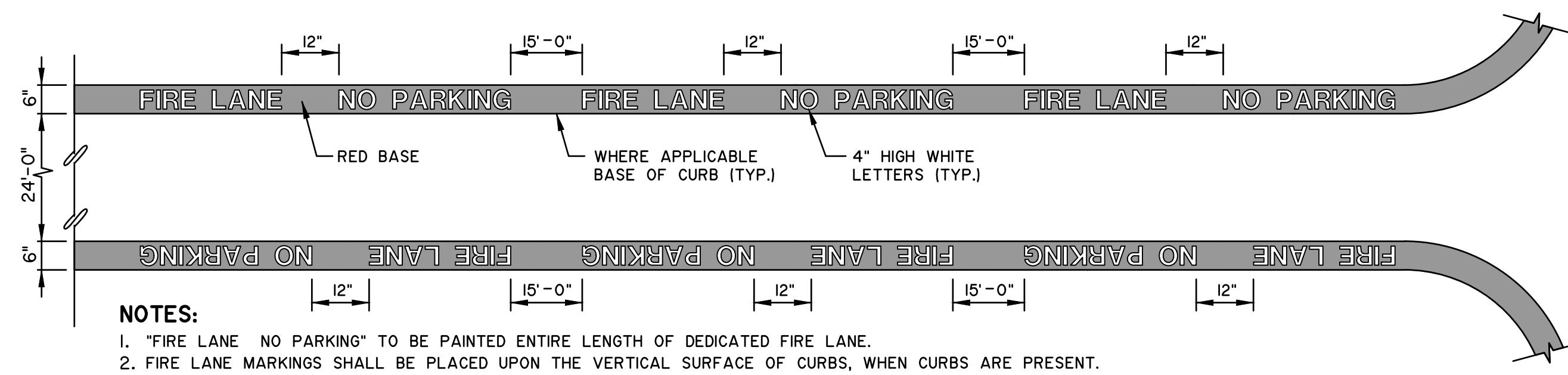
Civil Engineer
SCHRICKEL, ROLLINS
AND ASSOCIATES, INC.
1161 CORPORATE DRIVE WEST
SUITE 200
ARLINGTON, TEXAS 76006
P: 817.649.3216

**Mechanical, Electrical,
Plumbing Engineer**
MEP SYSTEMS
918 DRAGON STREET
DALLAS, TEXAS 75207
P: 214.915.0929

Structural Engineer
RONALD A. ROBERTS ASSOCIATES, INC.
2348 N. STEMMONS FREEWAY
DALLAS, TEXAS 75247
P: 214.637.6299

Kitchen Consultant
PROFITABLE FOOD FACILITIES
14028 DORSET DRIVE
POWAY, CALIFORNIA 92064
P: 858.748.7333

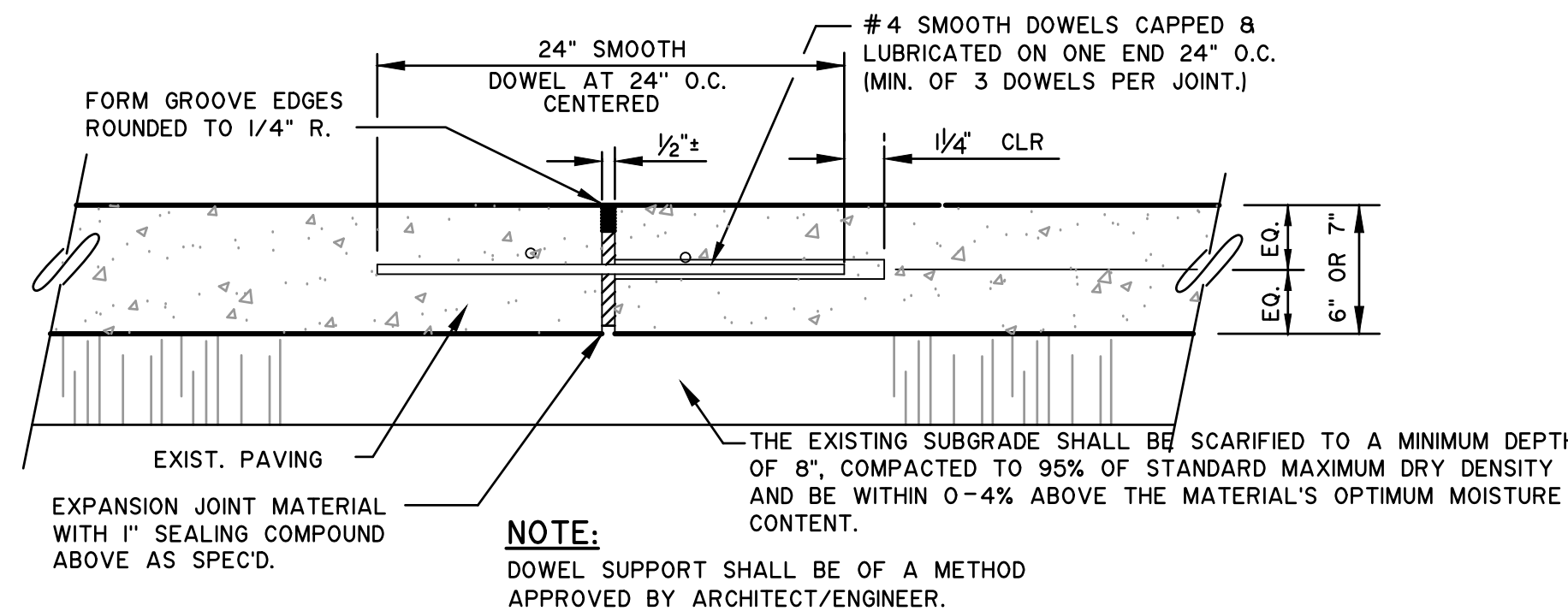
A/V Consultant
ACHIEVE AV, INC.
730 WARD ST.
CEDAR HILL, TEXAS 75104
P: 214.864.5951



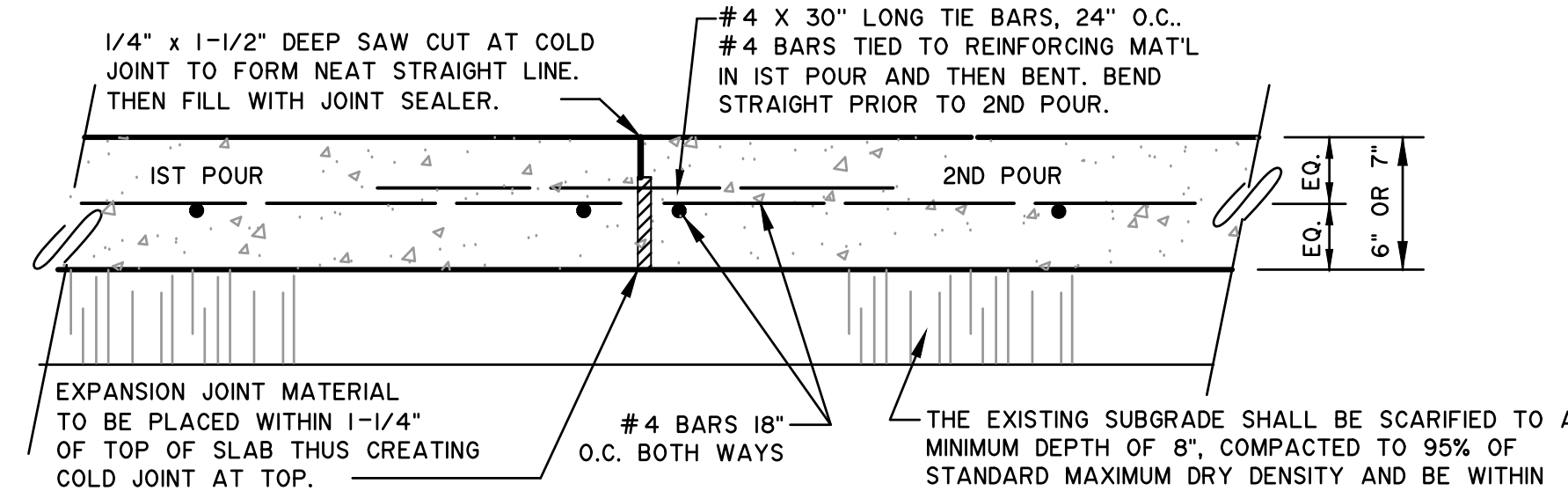
1 TYPICAL FIRE LANE MARKINGS

SCALE: 1/2" = 1'-0"

FIRELANE.DWG



DOWELED TRANSVERSE EXPANSION JOINT

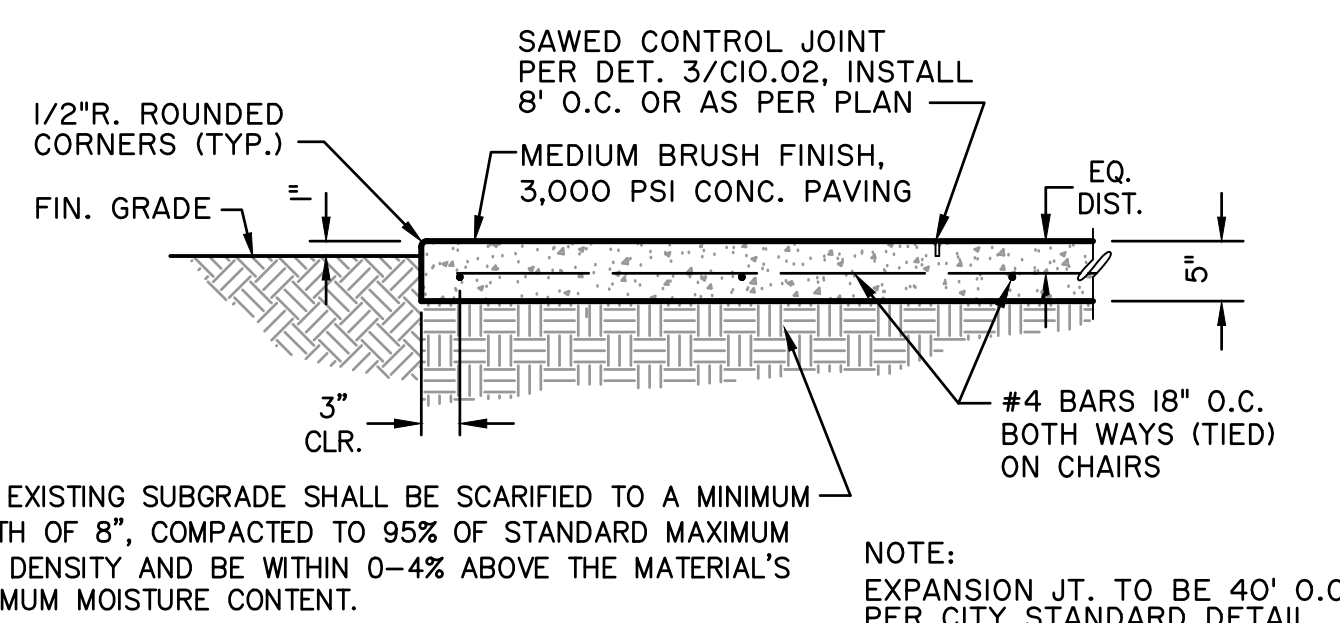


CONSTRUCTION JOINT

2 5" & 6" CONCRETE PAVEMENT / JOINT DETAILS

NO SCALE

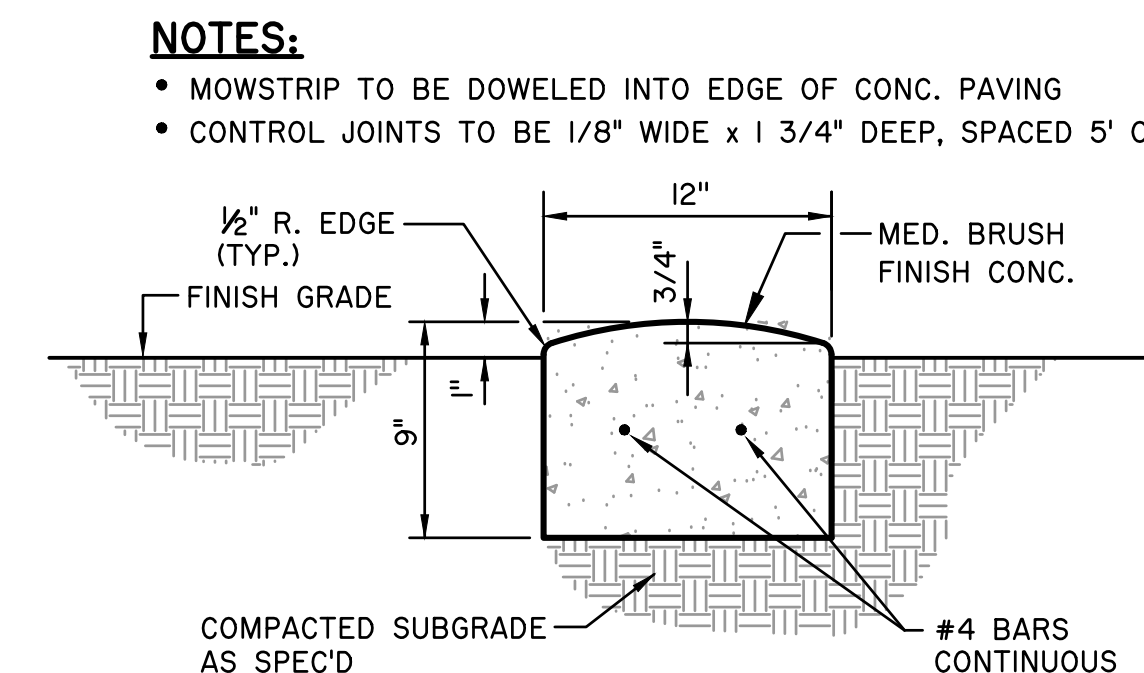
JOINTS.DWG



3 5" THK. CONCRETE SIDEWALK & CART PATH PAVING

SCALE: 3/4" = 1'-0"

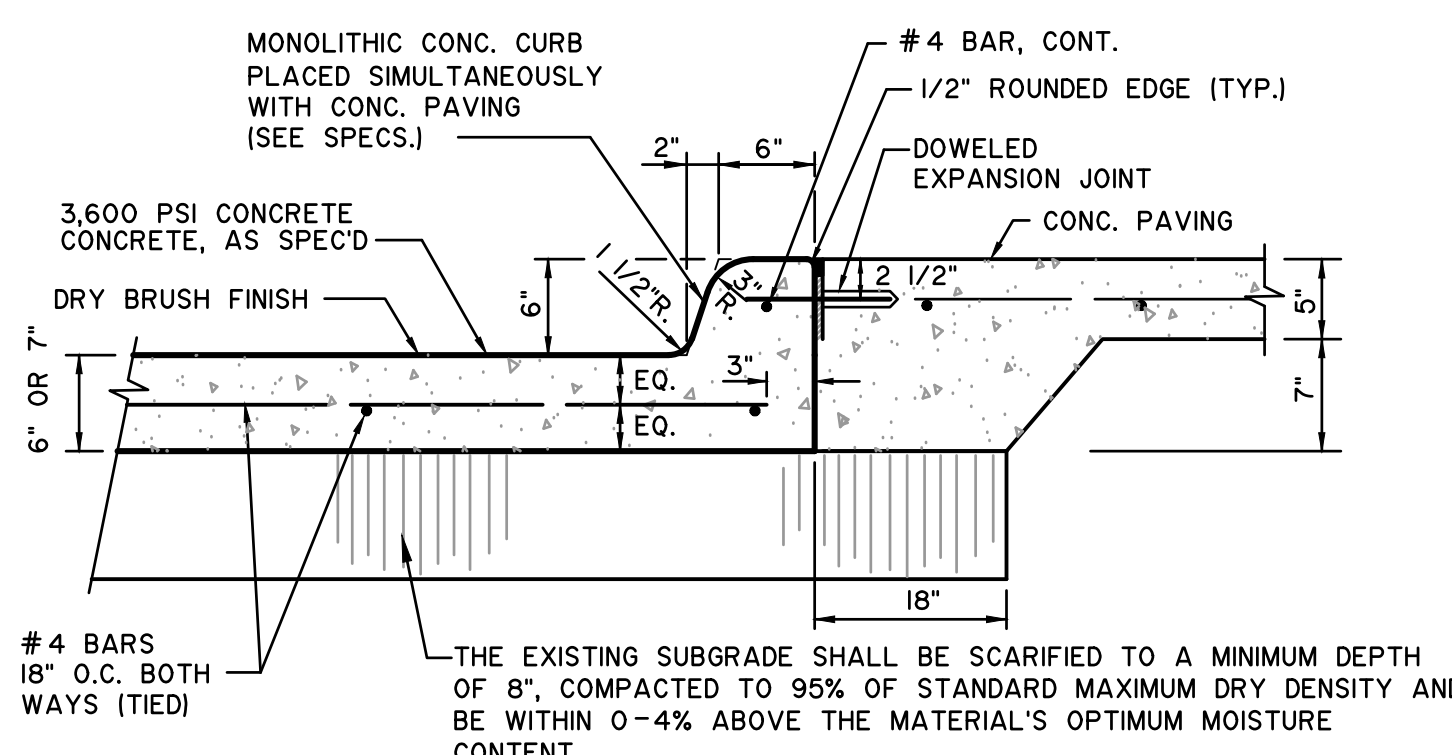
5 CONC.DWG



5 CONCRETE MOWSTRIP

SCALE: 1 1/2" = 1'-0"

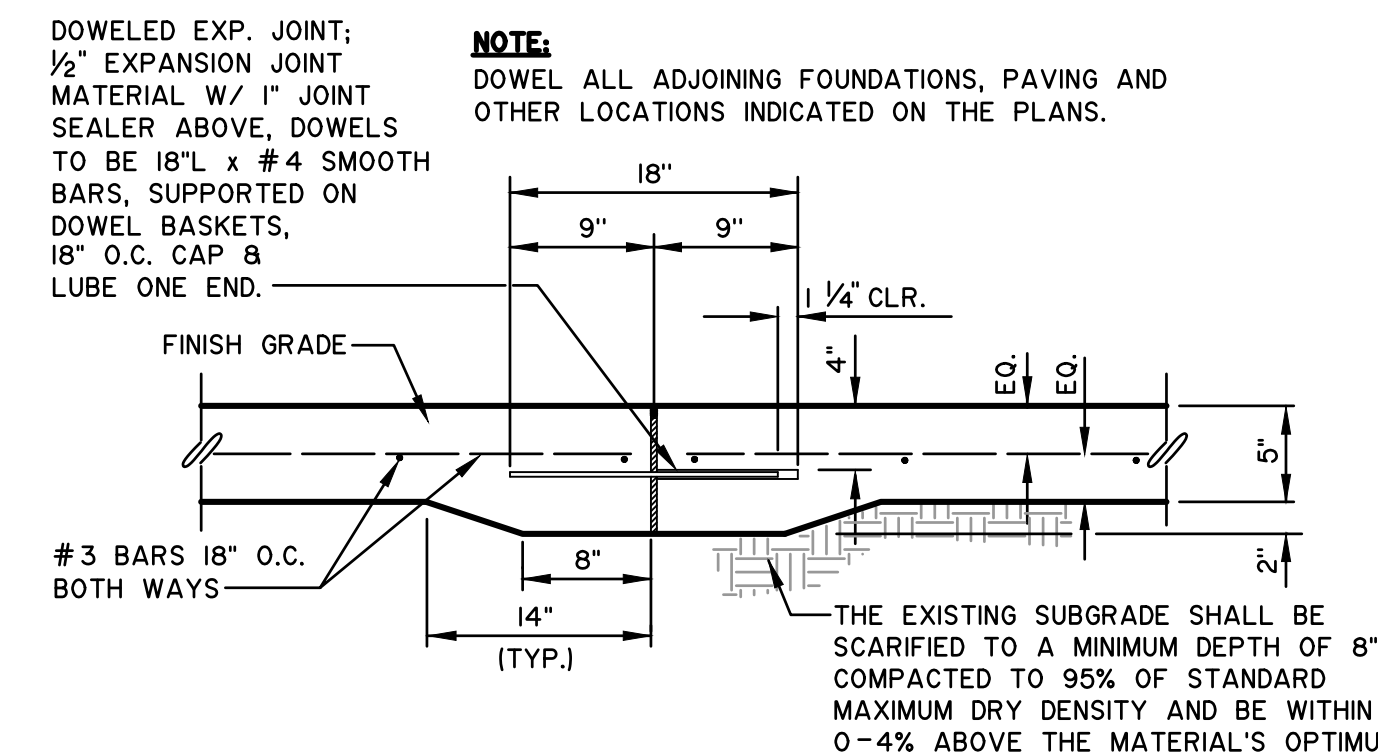
MOWSTRIP.DWG



4 MONOLITHIC CURB AND PAVING

SCALE: 1" = 1'-0"

MONOLITHIC.DWG



6 WALK & PLAZA EXPANSION JOINT

SCALE: 1" = 1'-0"

ExpJIPed.DWG



CHESTER W. DITTO GOLF COURSE CLUBHOUSE

CITY OF ARLINGTON

801 BROWN BLVD - ARLINGTON, TX 76011

No. | Date

Revisions

Project No. 21538.00

Drawn: CH, XT, MW, HP

Checked: MDS

Approved:

Key:

10-25-2017

Landscaped Architect

CONSTRUCTION DOCUMENTS

Title: **SITE DETAILS**

Drawing No. **C10.02**

Issue Date: **OCTOBER 25, 2017**

© COPYRIGHT REES ASSOCIATES, INC. 2017

SRA PROJECT #5311