

Civil Engineer
SCHRICKEL, ROLLINS
AND ASSOCIATES, INC.
1101 CORPORATE DRIVE WEST
SUITE 200
ARLINGTON, TEXAS 76006
P: 817.649.3216


**Mechanical, Electrical,
Plumbing Engineer**
MEP SYSTEMS
918 DRAGON STREET
DALLAS, TEXAS 75207
P: 214.915.0929

Structural Engineer
RONALD A. ROBERTS ASSOCIATES, INC.
2348 N. STEMMONS FREEWAY
DALLAS, TEXAS 75247
P: 214.637.6299

Kitchen Consultant
PROFITABLE FOOD FACILITIES
1408 DOWNEY DR
POWAY, CALIFORNIA 92064
P: 858.748.7333

A/V Consultant
ACHIEVE AV, INC.
730 WARD ST
CEDAR HILL, TEXAS 75104
P: 214.864.5951


ARLINGTON
THE AMERICAN DREAM CITY
**CHESTER W. DITTO GOLF COURSE
CLUBHOUSE**
CITY OF ARLINGTON
801 BROWN BLVD - ARLINGTON, TX 76011

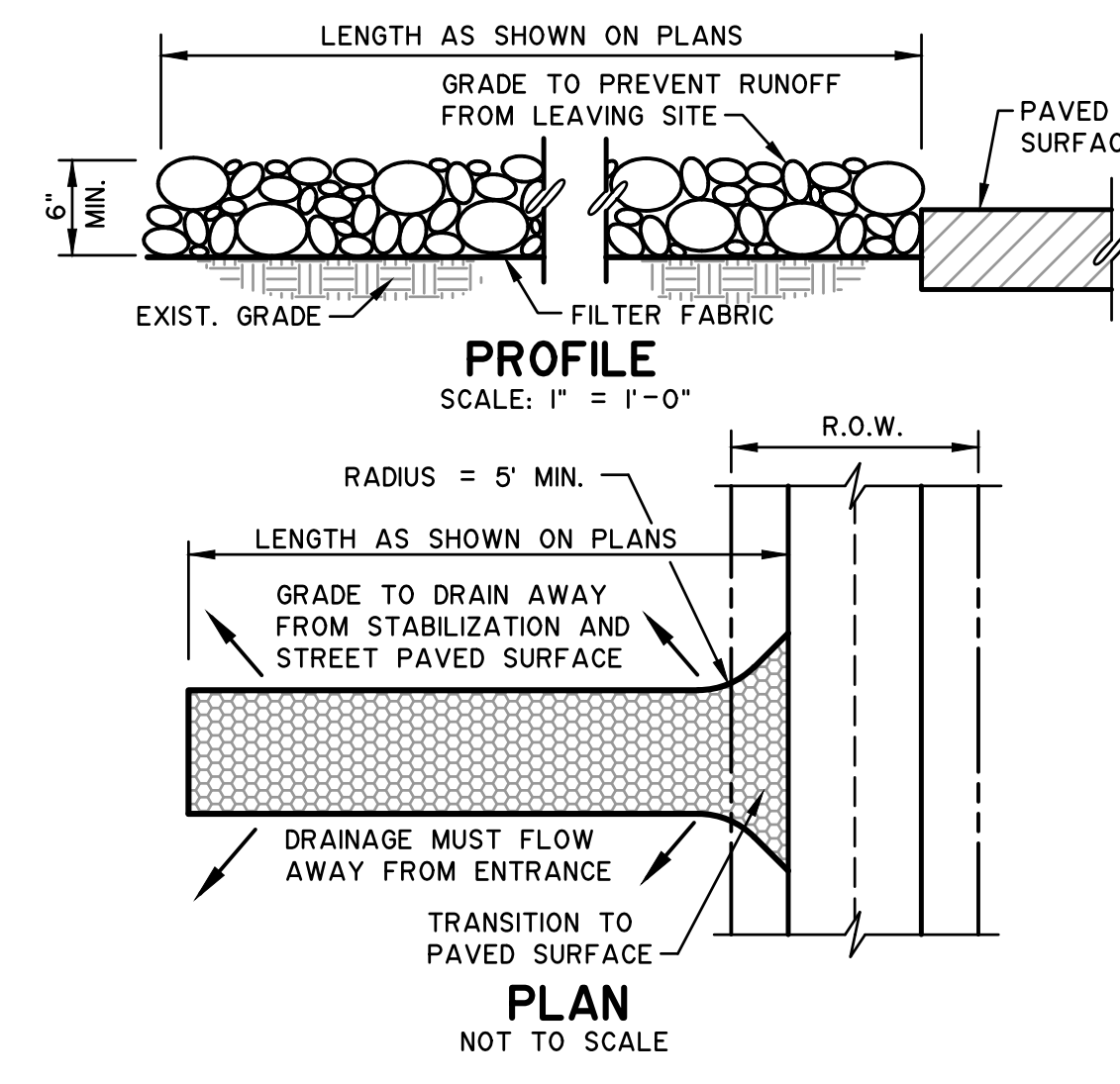
No.	Date
Revisions	
Project No. 21538.00	
Drawn -CH -XT -NW -HP	
Checked -MDS	
Approved	
Key:	

CONSTRUCTION DOCUMENTS

Title:
SITE DETAILS

Drawing No.
C10.01

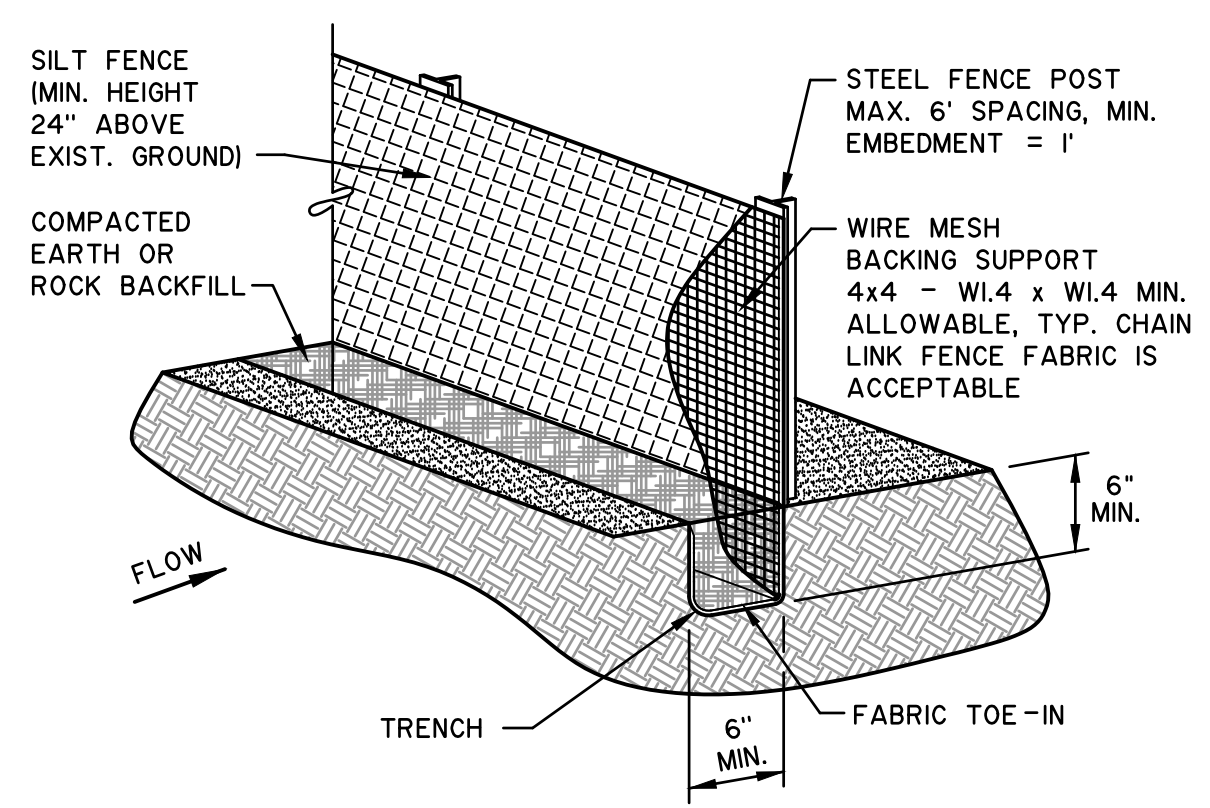
Issue Date
OCTOBER 25, 2017



- GENERAL NOTES:**
1. STONE SHALL BE 3 TO 5 INCH DIAMETER CRUSHED ROCK OR ACCEPTABLE CRUSHED PORTLAND CEMENT CONCRETE.
 2. LENGTH SHALL BE SHOWN ON PLANS, WITH A MINIMUM LENGTH OF 30 FEET FOR LOTS WHICH ARE LESS THAN 150 FEET FROM EDGE OF PAVEMENT. THE MINIMUM DEPTH IN ALL OTHER CASES SHALL BE 50 FEET.
 3. THE THICKNESS SHALL NOT BE LESS THAN 6 INCHES.
 4. THE WIDTH SHALL BE NO LESS THAN THE FULL WIDTH OF ALL POINTS OF INGRESS OR EGRESS.
 5. WHEN NECESSARY, VEHICLES SHALL BE CLEANED TO REMOVE SEDIMENT PRIOR TO ENTRANCE ONTO A PUBLIC ROADWAY. WHEN WASHING IS REQUIRED, IT SHALL BE DONE ON AN AREA STABILIZED WITH CRUSHED STONE WITH DRAINAGE FLOWING AWAY FROM BOTH THE STREET AND THE STABILIZED ENTRANCE. ALL SEDIMENT SHALL BE PREVENTED FROM ENTERING ANY STORM DRAIN, DITCH, OR WATERCOURSE USING APPROVED METHODS.
 6. THE ENTRANCE SHALL BE MAINTAINED IN A CONDITION WHICH WILL PREVENT TRACKING OR FLOWING OF SEDIMENT ONTO PAVED SURFACES. THIS MAY REQUIRE PERIODIC TOP DRESSING WITH ADDITIONAL STONE AS CONDITIONS DEMAND. ALL SEDIMENT SPILLED, DROPPED, WASHED, OR TRACKED ONTO PAVED SURFACES, MUST BE REMOVED IMMEDIATELY.
 7. THE ENTRANCE MUST BE PROPERLY GRADED OR INCORPORATE A DRAINAGE SWALE TO PREVENT RUNOFF FROM LEAVING THE CONSTRUCTION SITE.

NORTH CENTRAL COUNCIL OF GOVERNMENTS
STD. SPEC. 02270.G DWGs. No. 2070 A&B
DEC. '92

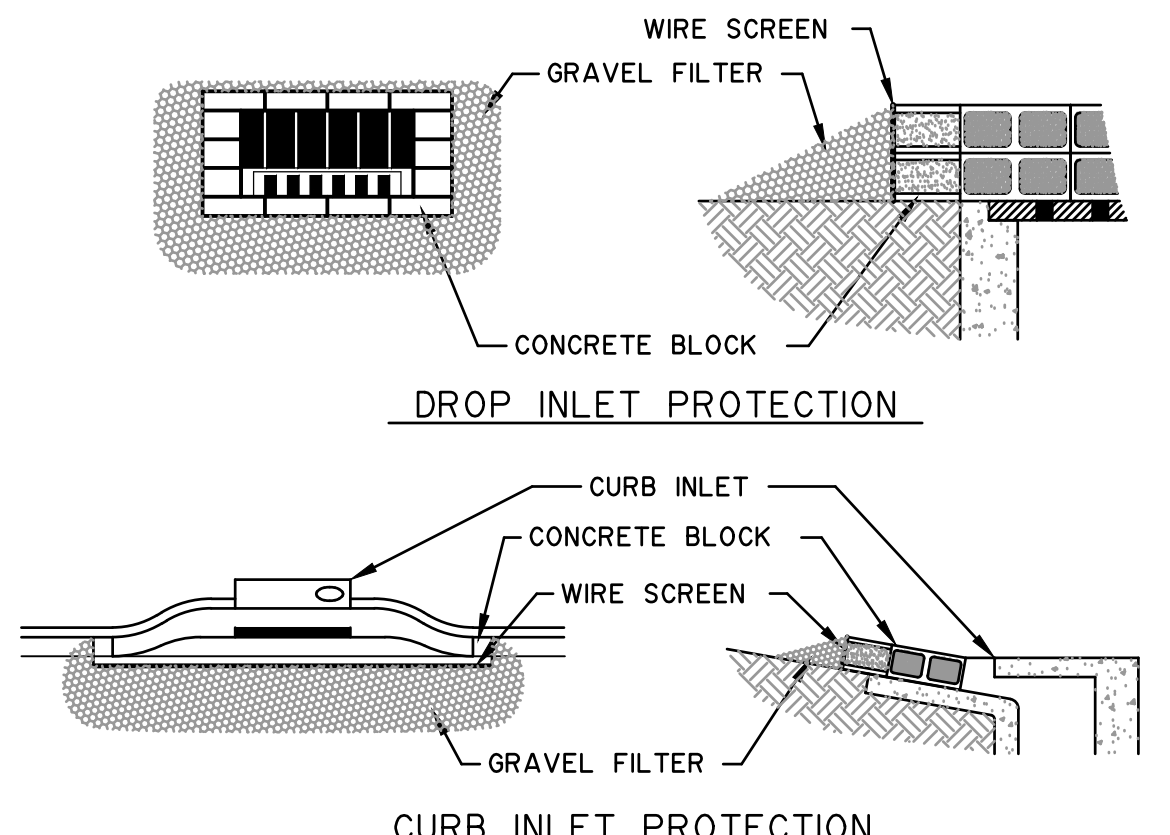
1 STABILIZED CONSTRUCTION ENTRANCE
SCALE: 1" = 1'-0"
CONSTRUCTION ENTRANCE.dwg



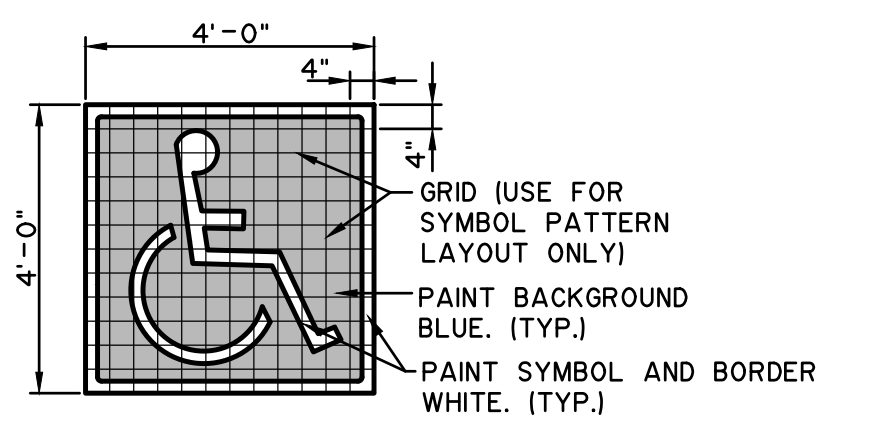
- GENERAL NOTES:**
1. STEEL POSTS WHICH SUPPORT THE SILT FENCE SHALL BE INSTALLED ON A SLIGHT ANGLE TOWARD THE ANTICIPATED RUNOFF SOURCE. POST MUST BE EMBEDDED A MINIMUM OF ONE FOOT.
 2. THE TOE OF THE SILT FENCE SHALL BE TRENCHED IN WITH A SPADE OR MECHANICAL TRENCHER, SO THAT THE DOWNSLOPE FACE OF THE TRENCH IS FLAT AND PERPENDICULAR TO THE LINE OF FLOW. WHERE FENCE CANNOT BE TRENCHED IN, (E.G. PAVEMENT), WEIGHT FABRIC FLAP WITH ROCK ON UPHILL SIDE TO PREVENT FLOW FROM SEEPING UNDER FENCE.
 3. THE TRENCH MUST BE A MINIMUM OF 6 INCHES DEEP AND 6 INCHES WIDE TO ALLOW FOR THE SILT FENCE FABRIC TO BE LAID IN THE GROUND AND BACKFILLED WITH COMPACTED MATERIAL.
 4. SILT FENCE SHOULD BE SECURELY FASTENED TO EACH STEEL SUPPORT POST OR TO WOVEN WIRE, WHICH IS IN TURN ATTACHED TO THE STEEL FENCE POST. THERE SHALL BE A 3 FOOT OVERLAP, SECURELY FASTENED WHERE ENDS OF FABRIC MEET.
 5. INSPECTION SHALL BE MADE WEEKLY AND AFTER EACH RAINFALL. REPAIR OR REPLACEMENT SHALL BE MADE PROMPTLY AS NEEDED.
 6. SILT FENCE SHALL BE REMOVED WHEN THE SITE IS COMPLETELY STABILIZED SO AS NOT TO BLOCK OR IMPEDE STORM FLOW OR DRAINAGE.
 7. ACCUMULATED SILT SHALL BE REMOVED WHEN IT REACHES A DEPTH OF HALF THE HEIGHT OF THE FENCE. THE SILT SHALL BE DISPOSED OF AT AN APPROVED SITE AND IN SUCH A MANNER AS TO NOT CONTRIBUTE TO ADDITIONAL SILTATION.

ISOMETRIC PLAN VIEW
NORTH CENTRAL COUNCIL OF GOVERNMENTS
STD. SPEC. 02270.B DWGs. No. 2020 A&B
DEC. '92

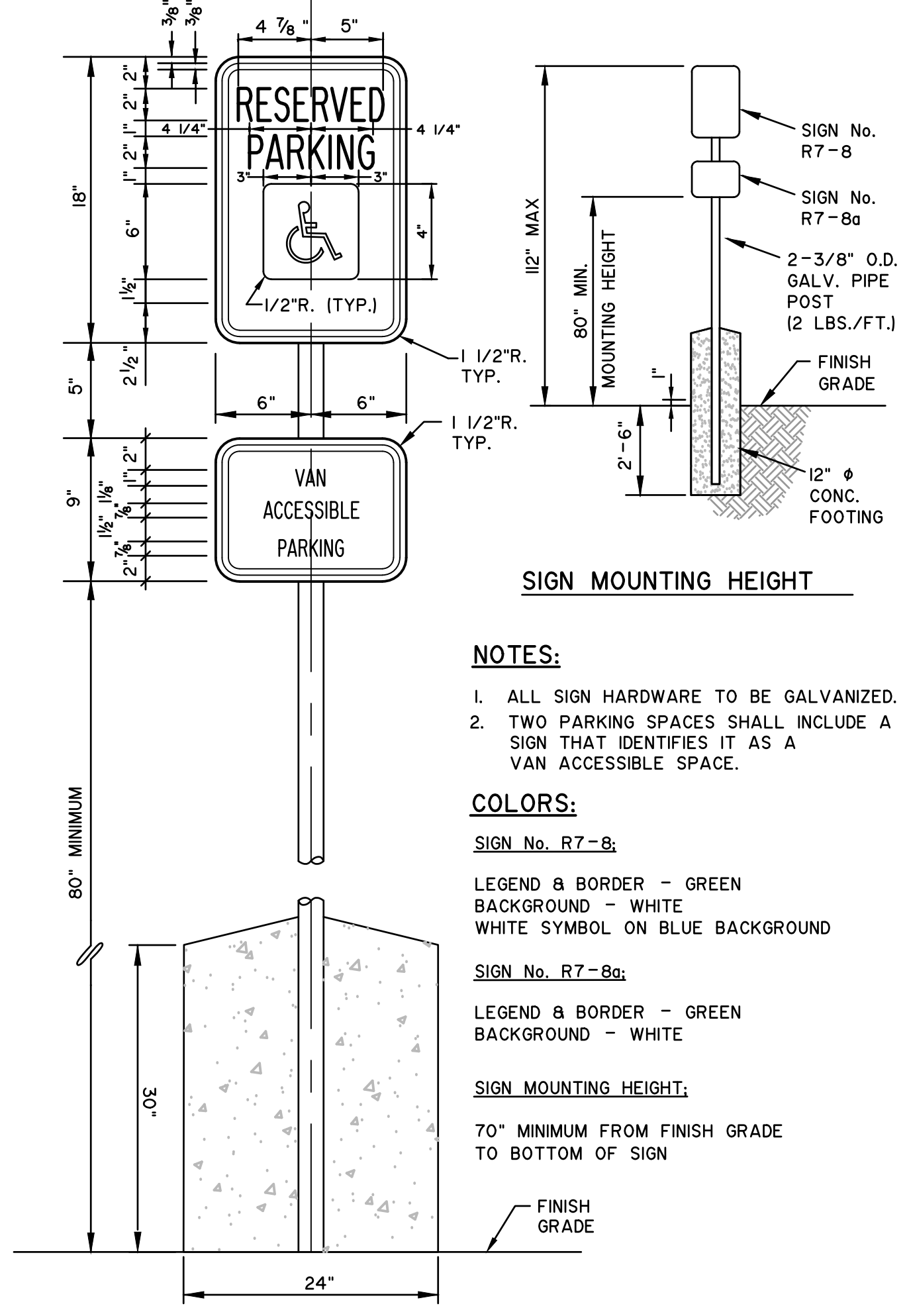
3 SILT FENCE
SCALE: 1" = 1'-0"
SILT FENCE.dwg



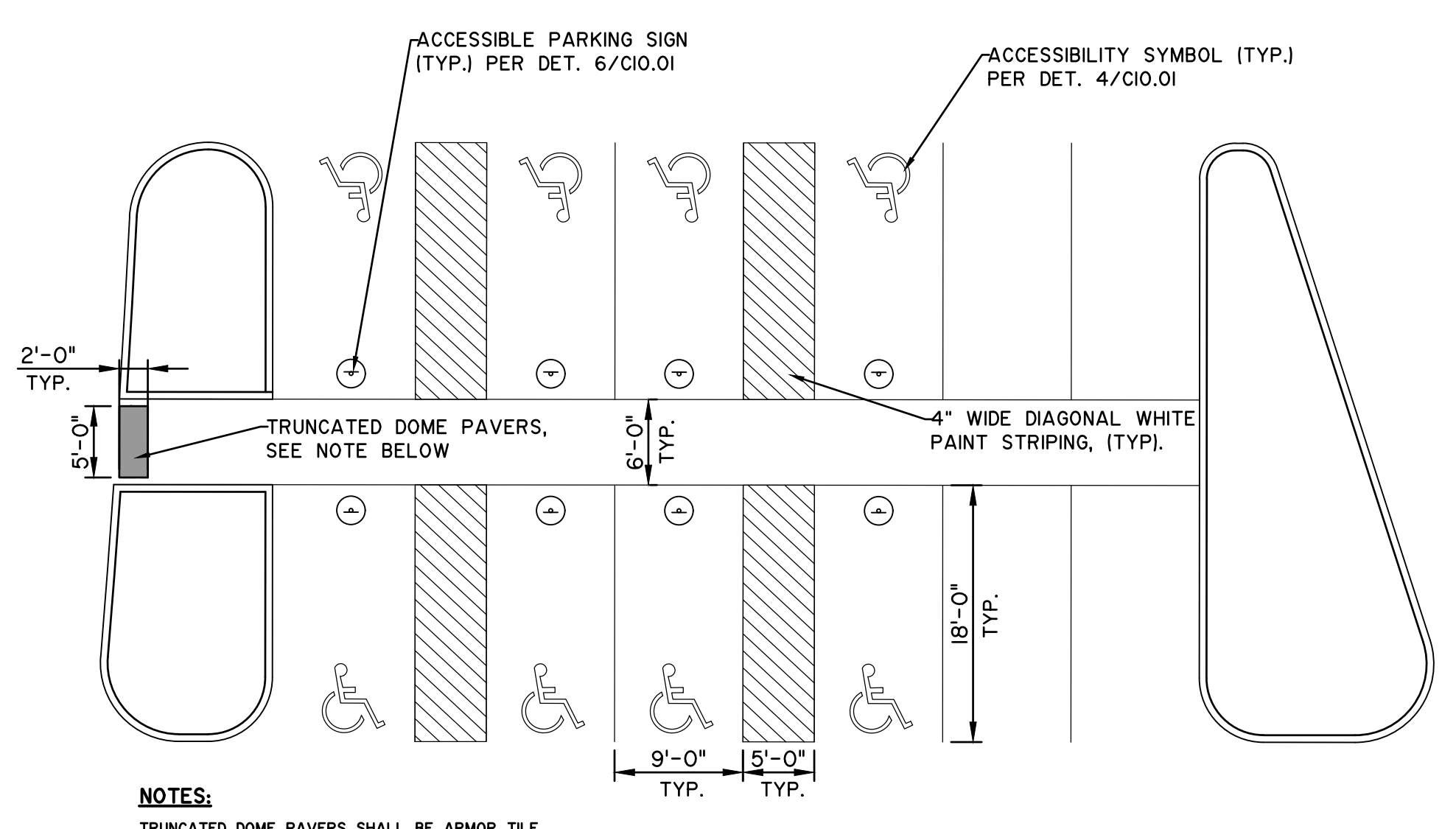
2 INLET PROTECTION - BLOCK & GRAVEL
SCALE: NONE
INLET_PROTECTION_BLOCK&GRAVEL.dwg



4 UNIVERSAL SYMBOL OF ACCESSIBILITY
SCALE: 3/8" = 1'-0"
HCSYM.DWG



6 ACCESSIBLE PARKING SIGN
SCALE: 1" = 1'-0"
HCSIGN.DWG



- NOTES:**
- TRUNCATED DOME PAVERS SHALL BE ARMOR TILE SURFACE MOUNT TILES. USE 24" x 24" AND 12" x 12" TILES TO ACHIEVE THE SIZE SHOWN. CUTTING TILES IS NOT ACCEPTABLE. INSTALL PER MANUFACTURERS RECOMMENDATIONS.
 - SLOPE ON ACCESSIBLE PARKING SPACES, AISLES AND ROUTES SHALL NOT EXCEED 2% IN EITHER DIRECTION.

5 ACCESSIBLE PARKING LAYOUT
SCALE: 1" = 10'
HCCURV.DWG